



US00D689362S

(12) **United States Design Patent**
Clark et al.

(10) **Patent No.:** **US D689,362 S**
(45) **Date of Patent:** **** Sep. 10, 2013**

(54) **CONTAINER WITH POUR SPOUT**
(75) Inventors: **James A. Clark**, Williamsburg, VA
(US); **Patrick L. O'Brien**, Toano, VA
(US); **David T. Foster**, Williamsburg, VA
(US); **Matthew N. Piercy**, Seaford, VA
(US)

5,823,345 A 10/1998 Nask et al.
5,845,807 A 12/1998 De Villiers
D431,464 S 10/2000 Collins et al.
6,708,824 B2 3/2004 Sahm, III
6,868,980 B2 3/2005 Schultz et al.

(Continued)

OTHER PUBLICATIONS

(73) Assignee: **Printpack Illinois, Inc.**, Elgin, IL (US)

Disclosure under 37 CFR 1.56 for U.S. Appl. No. 29/423,058, filed Aug. 6, 2012.

(**) Term: **14 Years**

Primary Examiner — Thomas Johannes

(21) Appl. No.: **29/423,058**

(74) *Attorney, Agent, or Firm* — Sutherland Asbill & Brennan LLP

(22) Filed: **May 28, 2012**

(51) **LOC (9) Cl.** **09-03**

(52) **U.S. Cl.**
USPC **D9/425**

(58) **Field of Classification Search**
USPC D9/414, 424, 425, 428, 430, 431;
D7/300, 316–319, 538, 549, 550.1, 598, 601–603,
D7/605, 612, 629; 229/105, 117.09, 117.26,
229/189, 406, 407, 902, 905, 915.1; 220/23.4,
220/23.6, 266, 281, 315, 318, 500, 574, 656,
220/659, 669, 674, 675, 696, 752, 760, 790,
220/793, DIG. 12, FOR. 117; 206/499, 508,
206/557; 222/494, 465.1; 366/247; D3/276;
D10/46.2; D24/123, 204
See application file for complete search history.

(57) **CLAIM**

The ornamental design for a container with pour spout, as shown and described.

DESCRIPTION

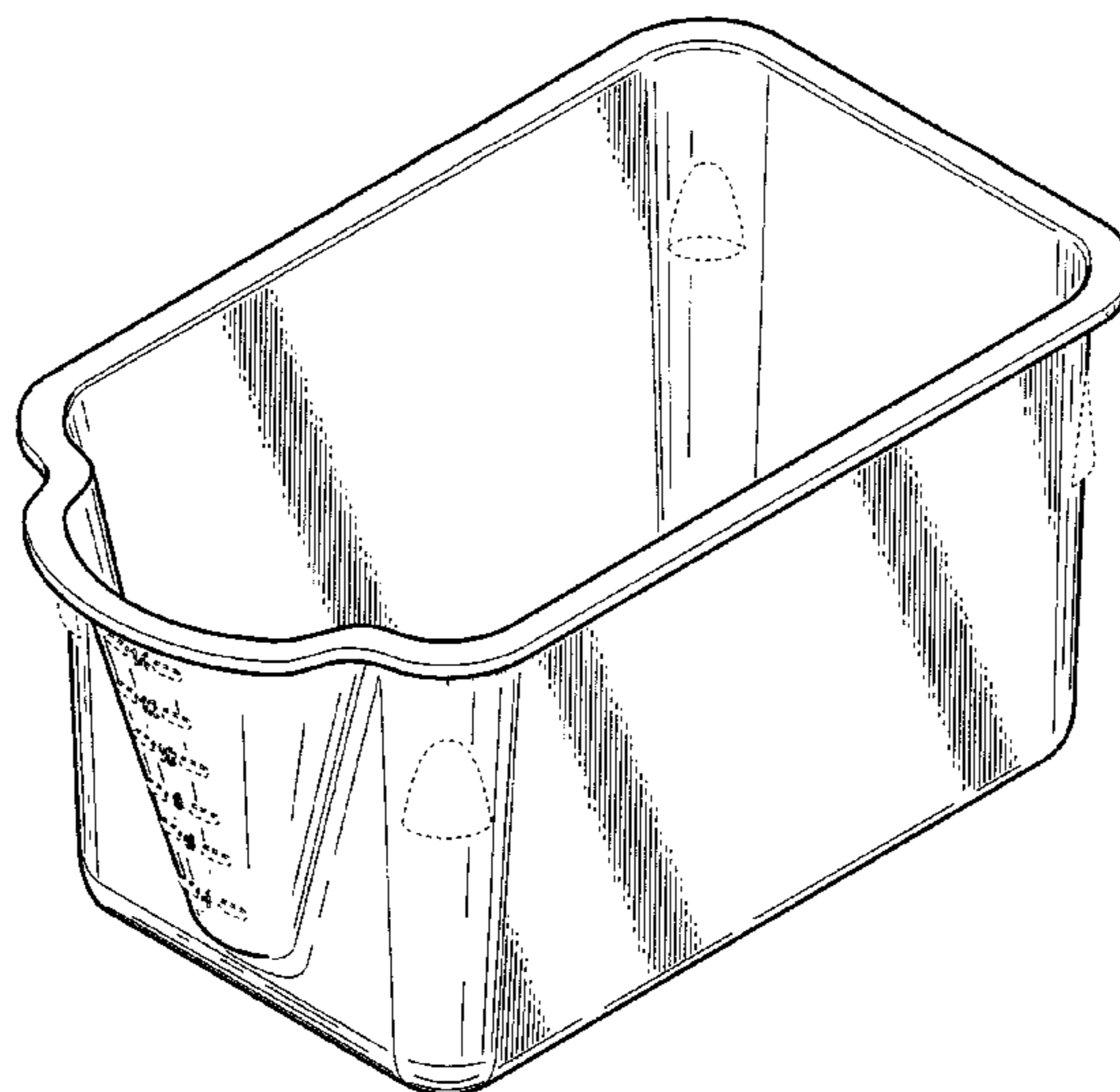
FIG. 1 is a top view of a container with pour spout showing our new design;
FIG. 2 is a bottom view thereof;
FIG. 3 is a side view thereof;
FIG. 4 is a front view thereof;
FIG. 5 is a rear view thereof;
FIG. 6 is a forward upper perspective view thereof;
FIG. 7 is a forward lower perspective view thereof;
FIG. 8 a rear upper perspective view thereof;
FIG. 9 is a rear lower perspective view thereof;
FIG. 10 is an upper perspective view thereof in a usage condition;
FIG. 11 is an upper perspective view thereof in another usage condition; and,
FIG. 12 is an upper perspective view thereof in yet another usage condition.
The broken line portion of the figure drawings is included to show unclaimed subject matter only and forms no part of the claimed design.

(56) **References Cited**

U.S. PATENT DOCUMENTS

2,823,828 A 2/1958 Frater
3,829,926 A 8/1974 Salladay
D253,872 S * 1/1980 Reynolds D9/428
4,486,971 A 12/1984 Miller
D310,748 S * 9/1990 Embree et al. D3/304
5,029,725 A 7/1991 Roth
D330,311 S 10/1992 Narsutis
5,199,571 A 4/1993 Wolff et al.
D344,686 S * 3/1994 Weterrings D10/46.2
5,709,304 A 1/1998 Credle, Jr.

1 Claim, 11 Drawing Sheets



(56)

References Cited

U.S. PATENT DOCUMENTS

D533,471 S * 12/2006 Jordan D10/46.2
D534,066 S 12/2006 Arkins
D536,608 S 2/2007 Arkins
D547,179 S * 7/2007 Bouveret et al. D9/428
D588,914 S 3/2009 Laurieu-Tedeschi
D598,282 S 8/2009 Abrahamsson
7,722,907 B2 5/2010 Roberts et al.

D642,904 S 8/2011 Turvey
D646,160 S * 10/2011 Shiffer et al. D9/428
D650,662 S * 12/2011 Shiffer et al. D9/428
D655,159 S 3/2012 Killandi
D655,577 S 3/2012 Samartgis
D666,829 S * 9/2012 Liao D3/304
2001/0023870 A1 9/2001 Mihalov et al.
2009/0301923 A1 12/2009 Van Puijenbroek et al.
2010/0065461 A1 3/2010 Chhay

* cited by examiner

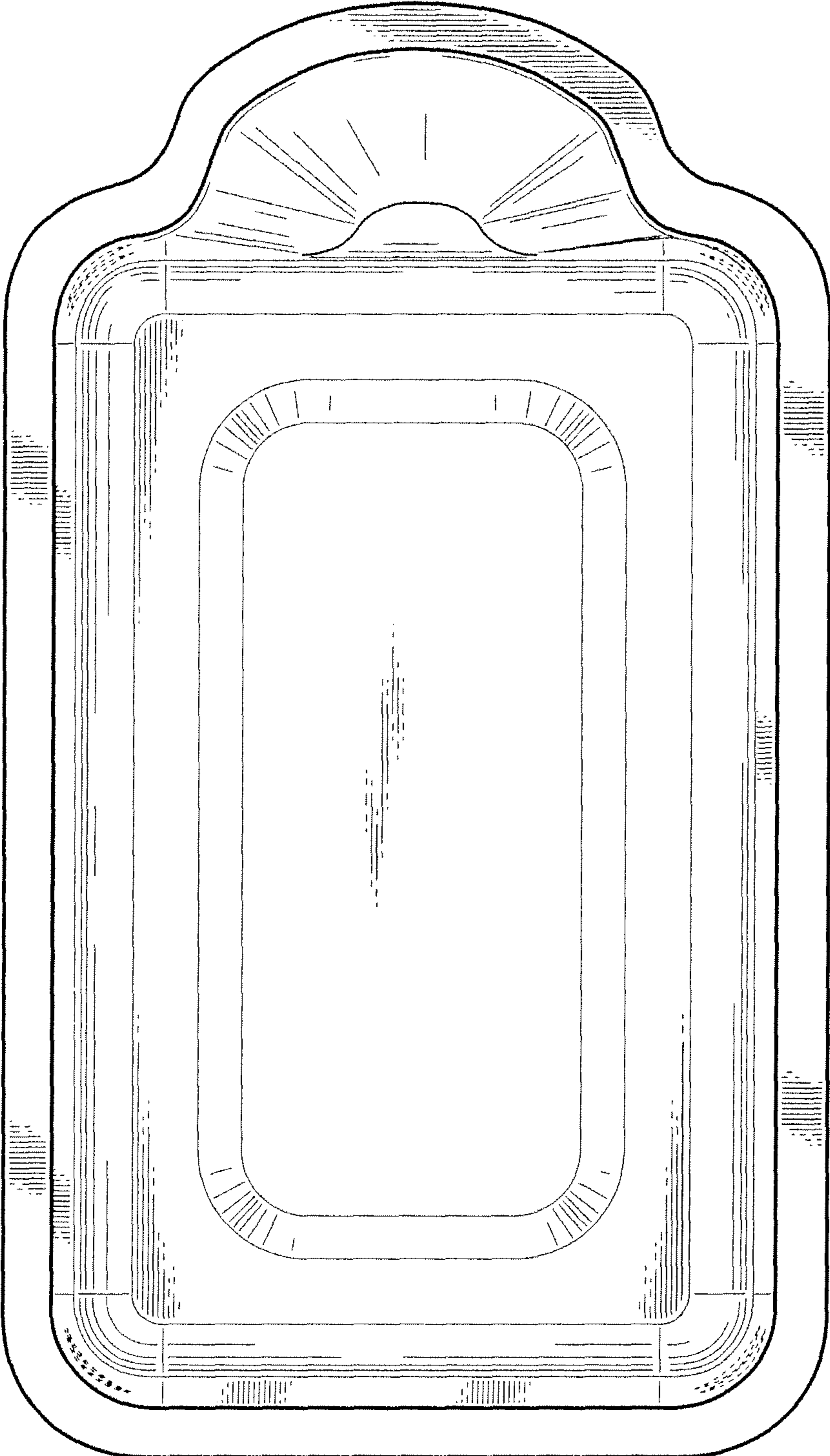


FIG. 1

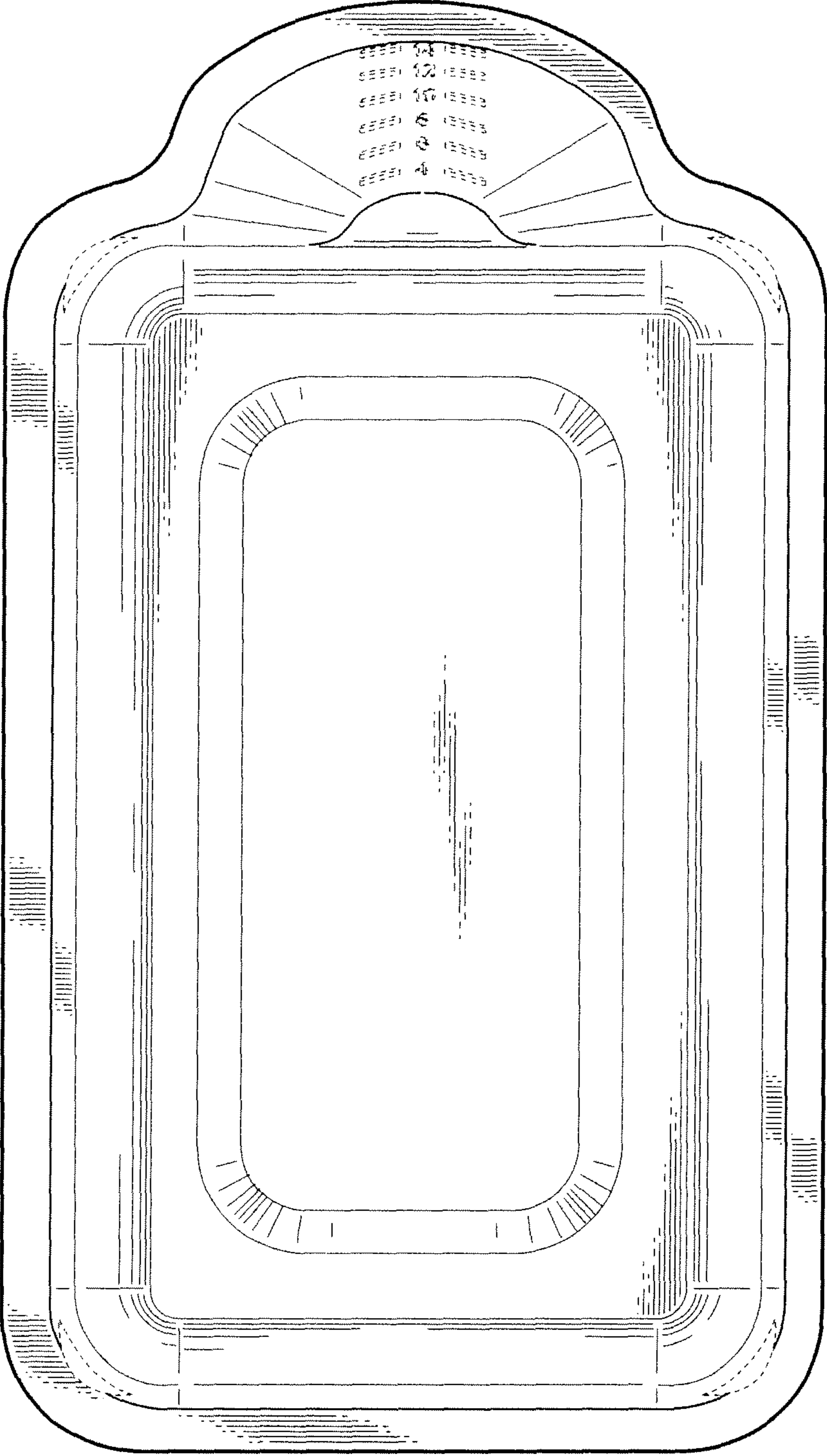


FIG. 2

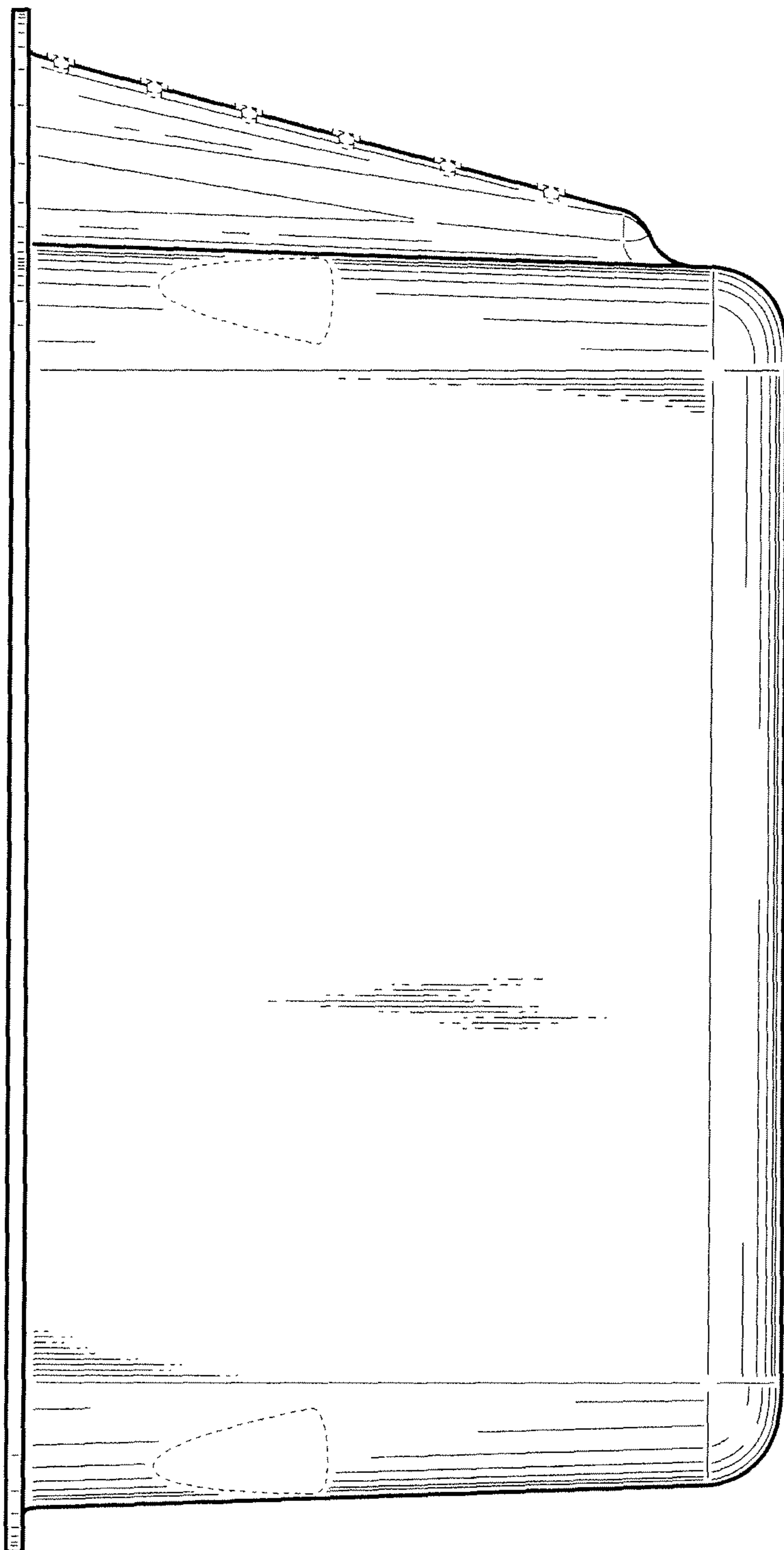


FIG. 3

FIG. 4

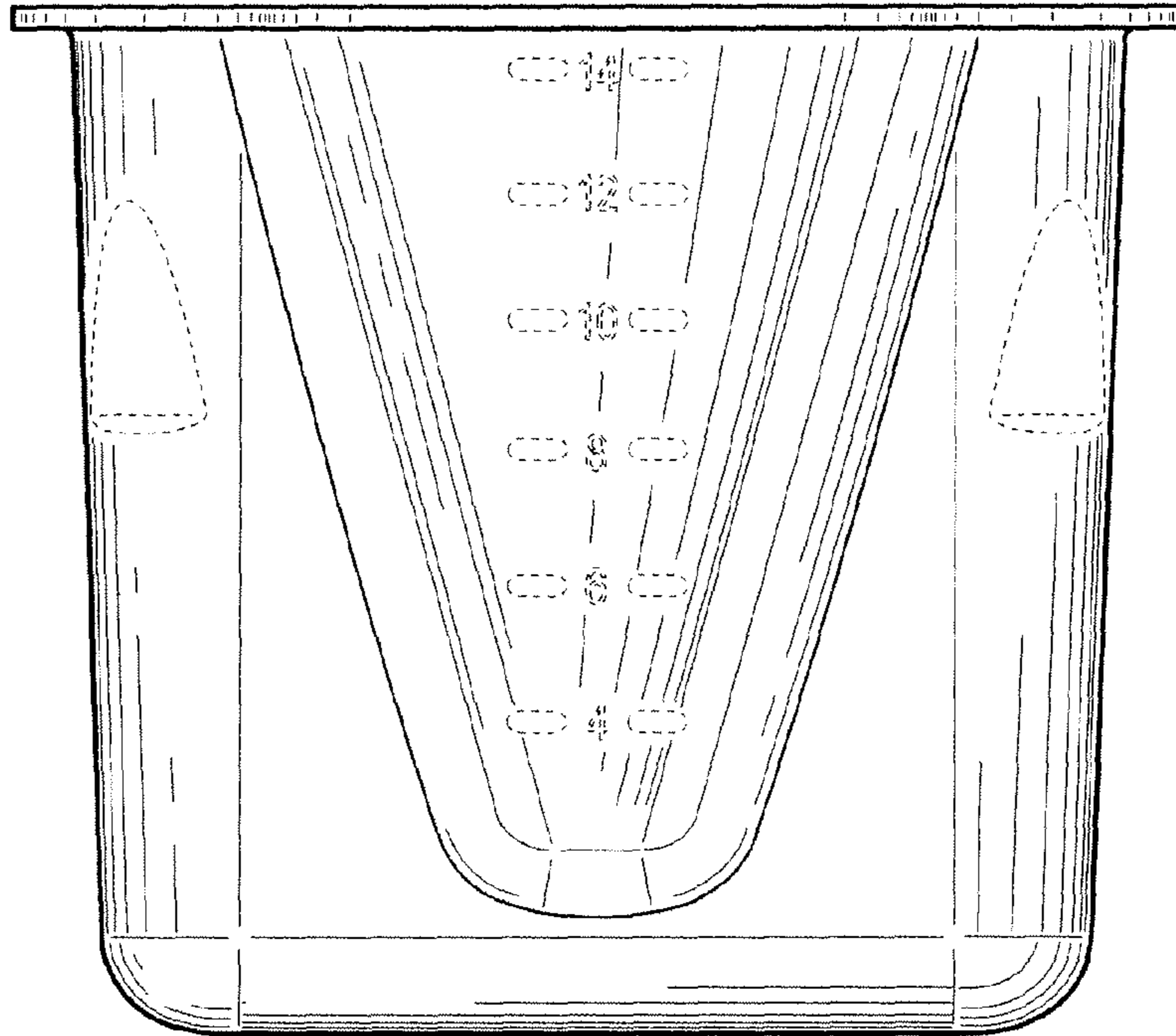
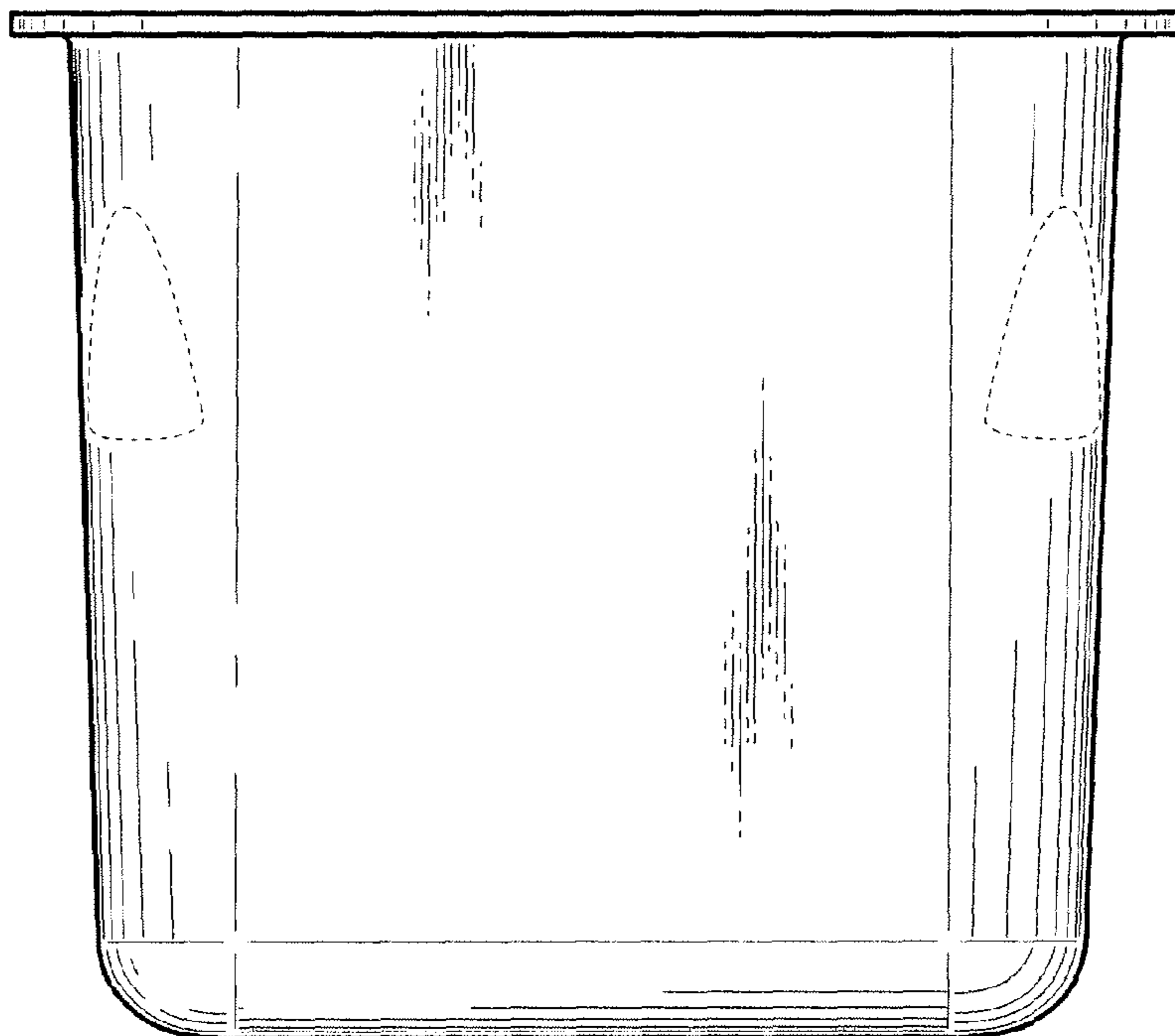


FIG. 5



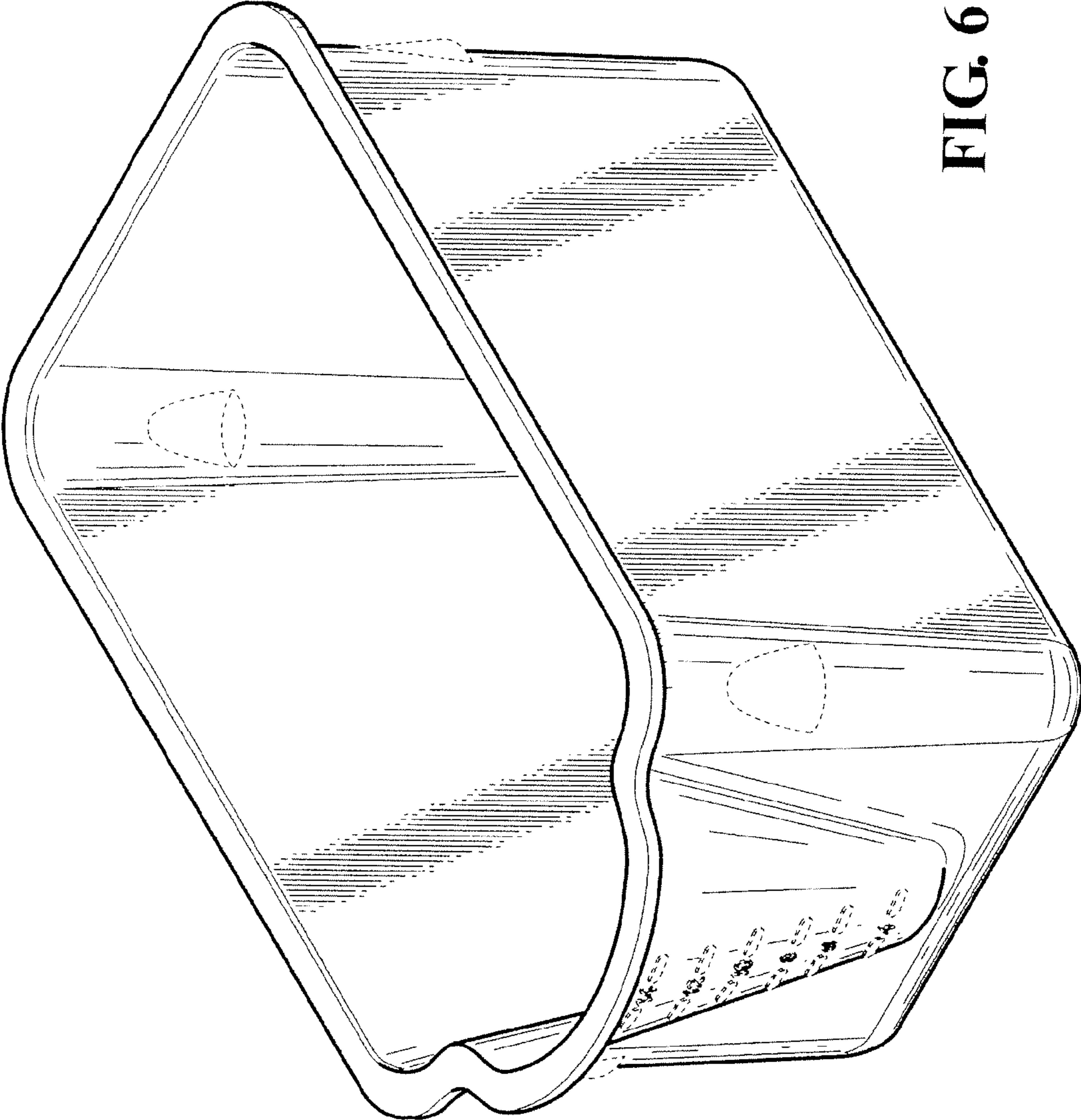


FIG. 6

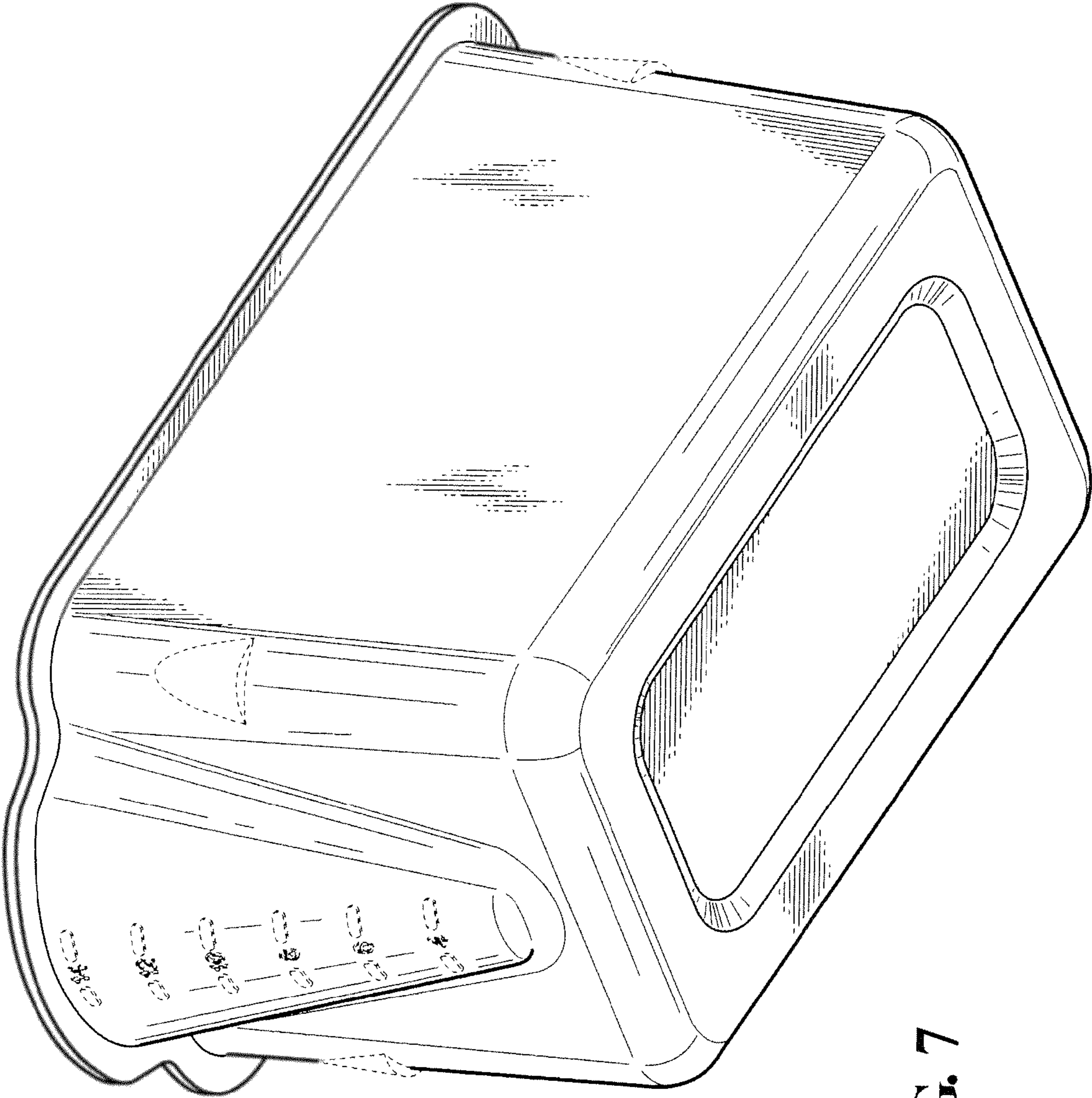


FIG. 7

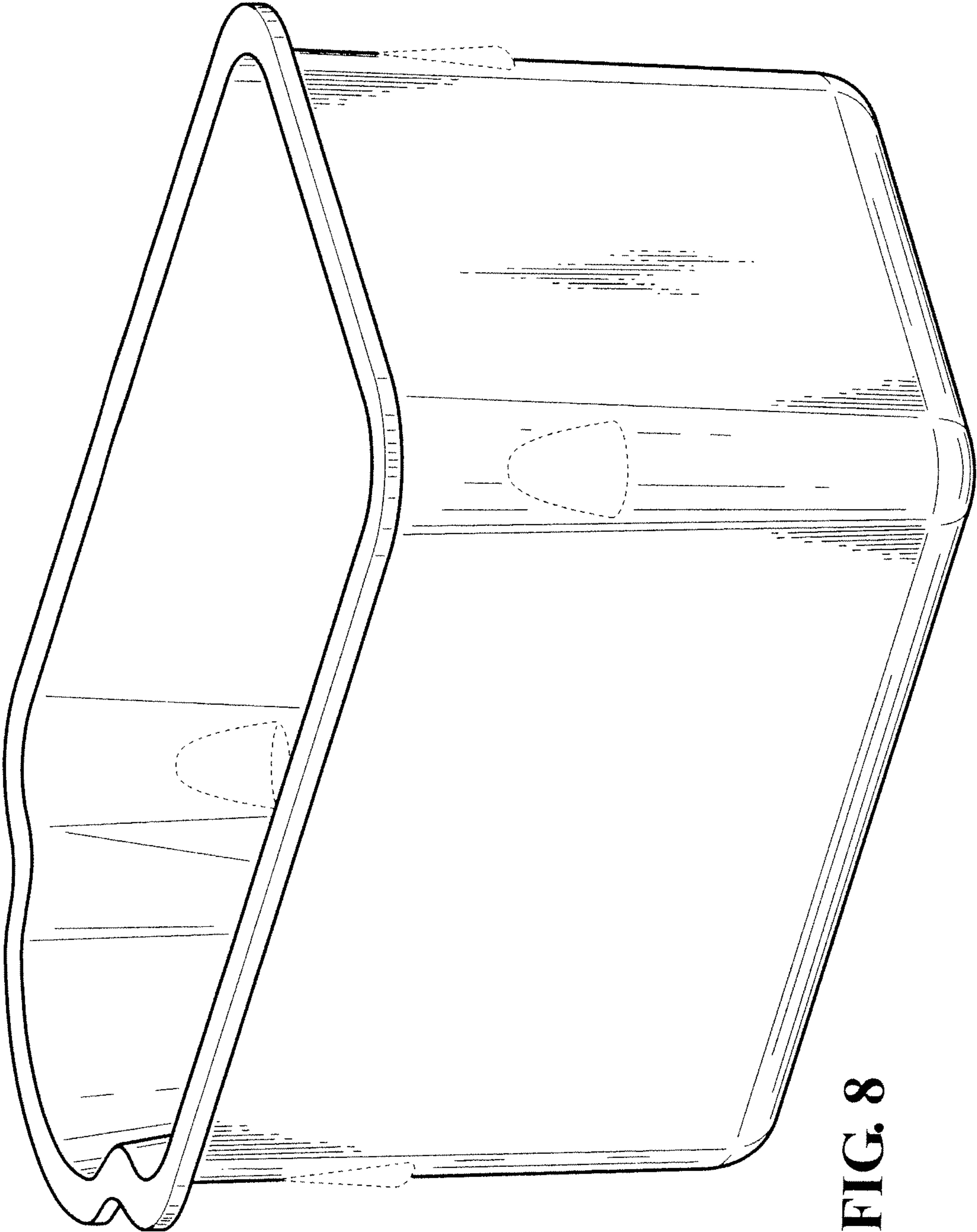


FIG. 8

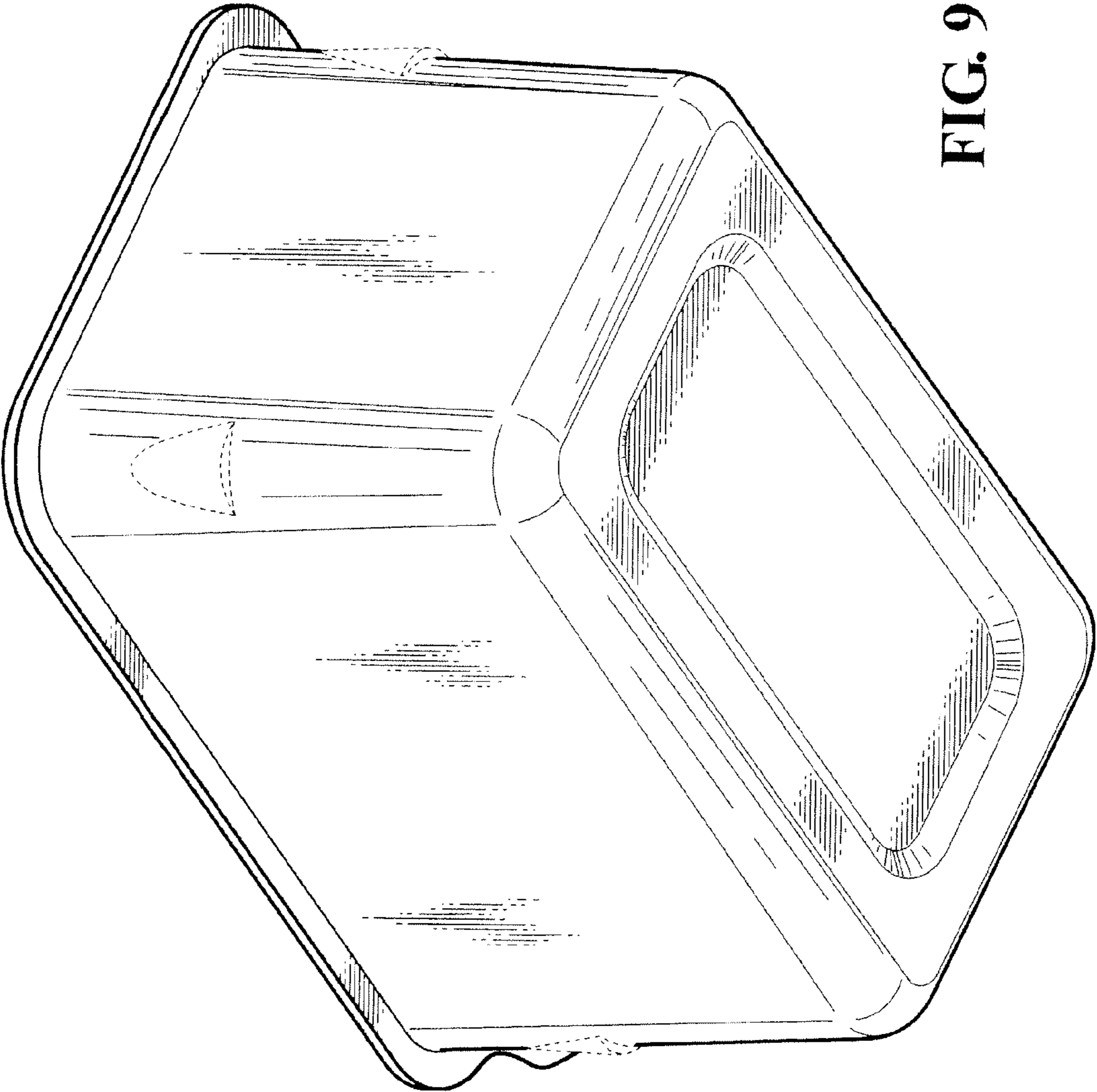


FIG. 9

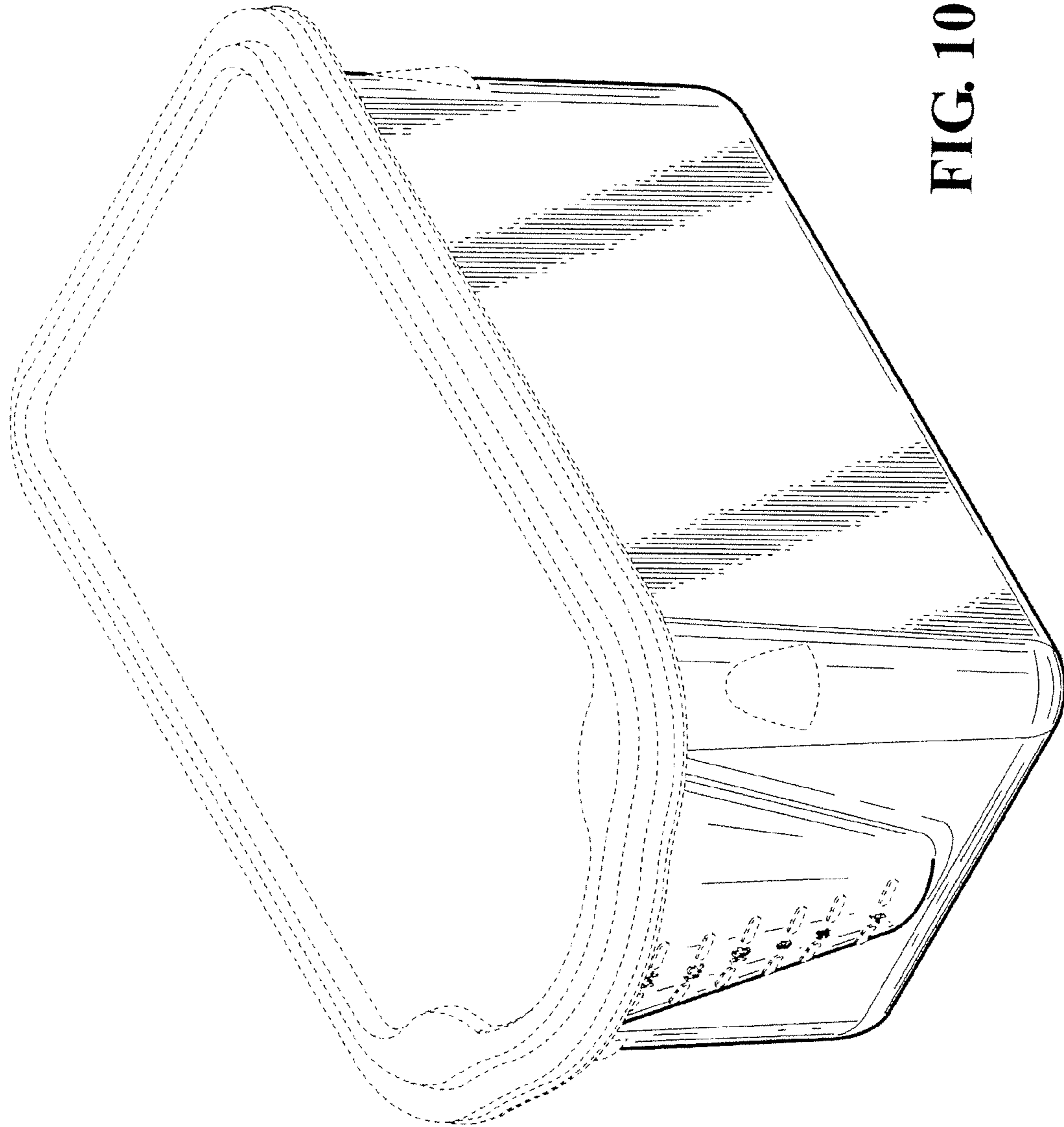


FIG. 10

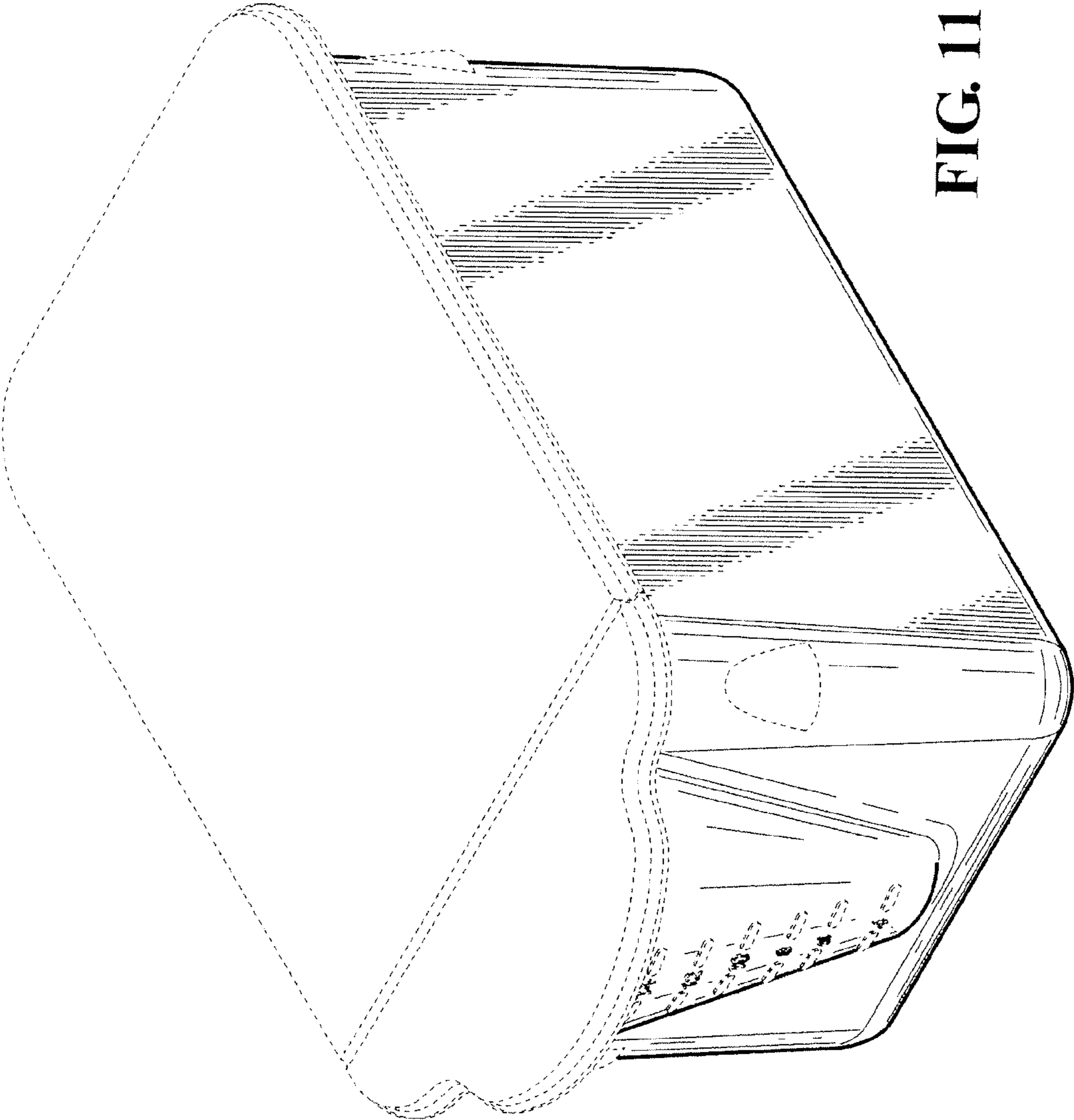


FIG. 11

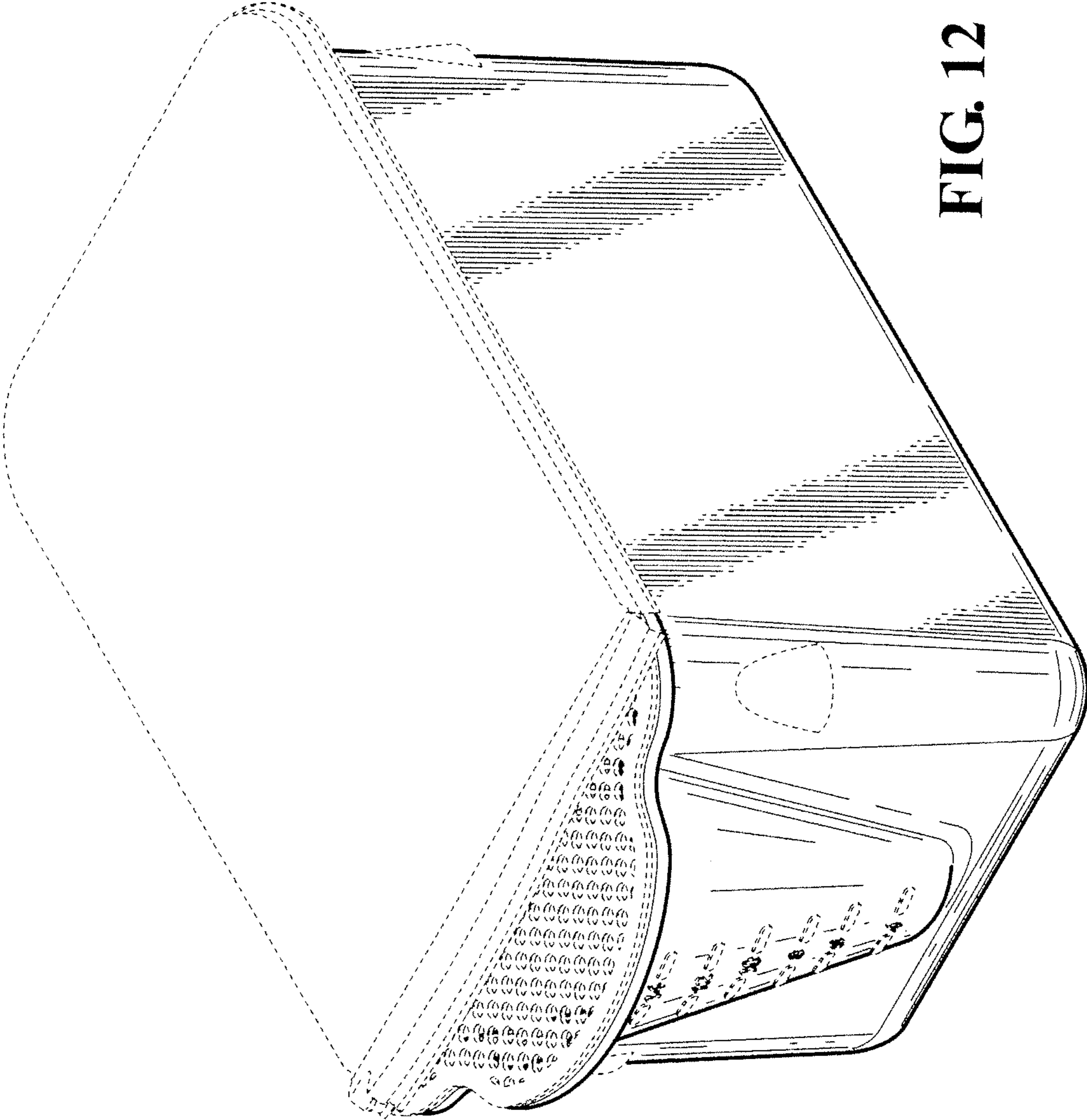


FIG. 12