



US00D689359S

(12) **United States Design Patent**
Fisher

(10) **Patent No.:** **US D689,359 S**

(45) **Date of Patent:** **** Sep. 10, 2013**

(54) **SNOW GUARD**

(75) Inventor: **Steven Fisher**, Bird-in-Hand, PA (US)

(73) Assignee: **Levi's Nails and Screws**, Leola, PA (US)

(**) Term: **14 Years**

(21) Appl. No.: **29/407,379**

(22) Filed: **Nov. 28, 2011**

(51) **LOC (9) Cl.** **08-99**

(52) **U.S. Cl.**
USPC **D8/499**

(58) **Field of Classification Search**
USPC D8/400-499; D25/199; 52/24-26,
52/545, 533, 98

See application file for complete search history.

(56) **References Cited**

U.S. PATENT DOCUMENTS

491,091 A *	2/1893	Drake	122/510
507,776 A	10/1893	Berger et al.		
595,295 A	12/1897	Fox et al.		
D30,788 S	5/1899	Clark		
884,850 A	4/1908	Peter		
1,095,822 A	5/1914	Danzer		
1,330,309 A	2/1920	Dixon		
1,463,065 A	7/1923	Sieger		
1,863,561 A	6/1932	Brinker et al.		
D109,697 S	3/1938	Cody		
4,000,843 A *	1/1977	Sorensen et al.	206/586
4,141,182 A	2/1979	McMullen		
D254,051 S	1/1980	Zaleski		
D314,506 S *	2/1991	McMullen	D8/499
5,005,237 A	4/1991	Luchonok		
5,044,130 A	9/1991	Chiddister		
5,271,194 A	12/1993	Drew		
5,282,340 A	2/1994	Cline et al.		
5,483,772 A	1/1996	Haddock		

5,491,931 A	2/1996	Haddock		
5,522,185 A	6/1996	Cline		
D375,038 S *	10/1996	Trevorrow	D8/354
5,691,721 A	11/1997	Kim		
5,694,721 A	12/1997	Haddock		
D394,603 S *	5/1998	Brandes	D8/403
5,983,588 A	11/1999	Haddock		
D418,403 S	1/2000	Cline		

(Continued)

FOREIGN PATENT DOCUMENTS

AT	223795	10/1962
DE	3716491 A1	12/1988
DE	3723020 A1	1/1989

OTHER PUBLICATIONS

Roof Snow Guards, Levi's Nails and Screws, Copyright 2009, Accessed Web, Nov. 2, 2009, <<http://www.levisnailsandscrews.com>>, Product: Snow Defender 1500.

(Continued)

Primary Examiner — George D Kirschbaum
Assistant Examiner — Janice Hallmark
(74) *Attorney, Agent, or Firm* — Barley Snyder

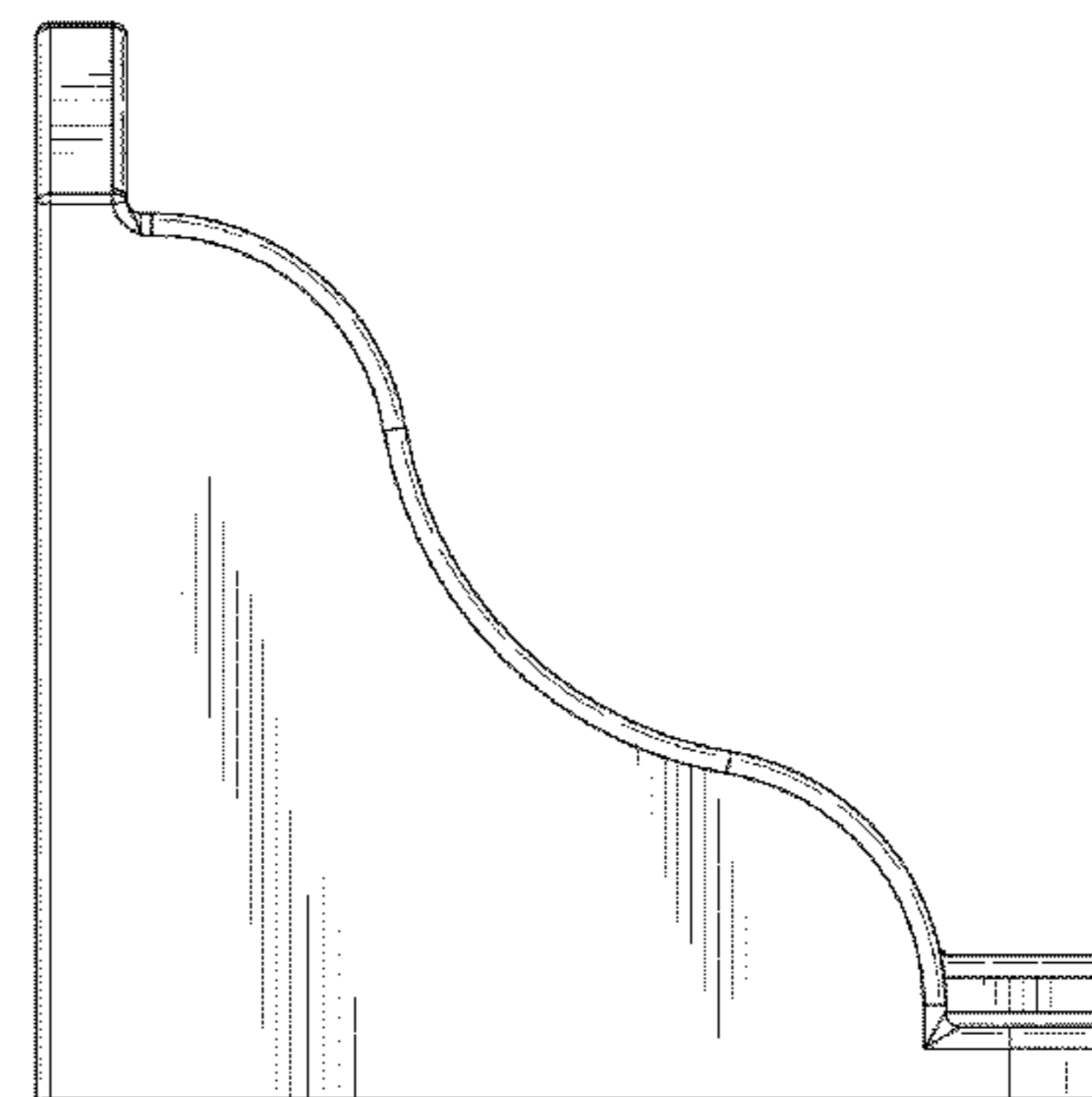
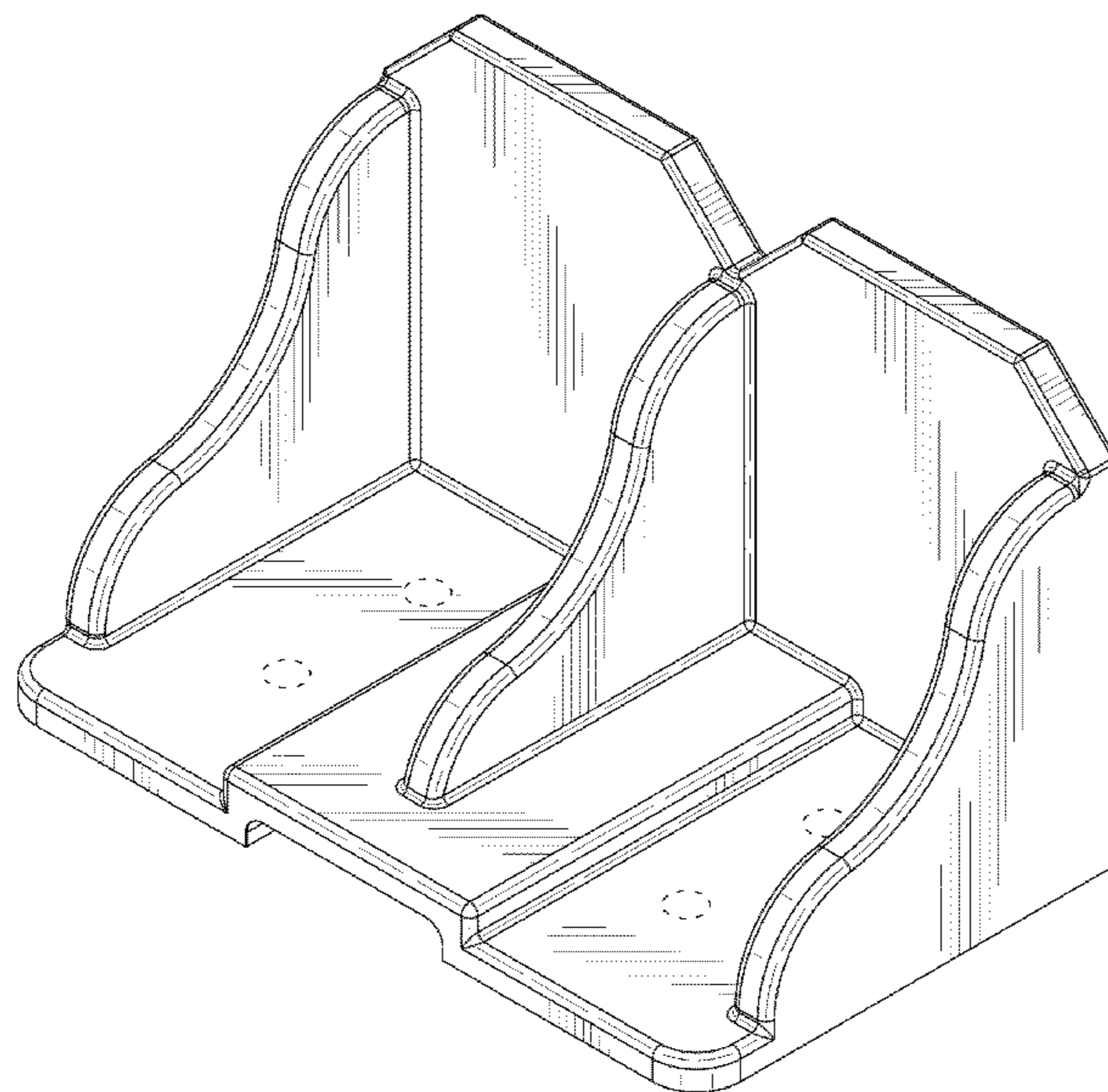
(57) **CLAIM**

The ornamental design for a snow guard, as shown and described.

DESCRIPTION

FIG. 1 is a top, rear, and left side perspective view, showing my new snow guard design;
FIG. 2 is a left side elevation view thereof;
FIG. 3 is a top plan view thereof;
FIG. 4 is a rear elevation view thereof;
FIG. 5 is a front elevation view thereof;
FIG. 6 is a bottom plan view thereof; and,
FIG. 7 is a right side elevation view thereof.

1 Claim, 4 Drawing Sheets



(56)

References Cited

U.S. PATENT DOCUMENTS

6,164,033 A 12/2000 Haddock
6,266,929 B1 7/2001 Cline
D453,678 S 2/2002 McMullen
6,499,259 B1 12/2002 Hockman
6,536,166 B1 3/2003 Alley
D475,613 S 6/2003 Mullane
6,647,671 B1 11/2003 Alley
6,688,047 B1 2/2004 McNichol
6,718,718 B2 4/2004 Haddock
D499,011 S 11/2004 Rizzo
D499,332 S 12/2004 Rizzo
6,834,466 B2 12/2004 Trevorrow et al.
D511,451 S 11/2005 Mullane
D512,303 S 12/2005 Prichard, Jr. et al.
D523,740 S * 6/2006 Harris D8/403

7,127,852 B1 10/2006 Dressler
D537,336 S 2/2007 Fisher
7,213,373 B2 5/2007 Hockman
D553,972 S 10/2007 Prichard, Jr. et al.
7,513,080 B1 4/2009 Showalter
D610,443 S 2/2010 Fisher
D610,444 S 2/2010 Fisher
7,774,989 B2 8/2010 Fisher
D625,176 S 10/2010 Fisher
7,997,032 B2 * 8/2011 Riley et al. 52/24
2001/0045064 A1 11/2001 Alley

OTHER PUBLICATIONS

Roof Snow Guards, Levi's Nails and Screws, Copyright 2009, Accessed Web, Nov. 2, 2009, <<http://www.levisnailsandscrews.com>>, Product: Snow Defender PC240.

* cited by examiner

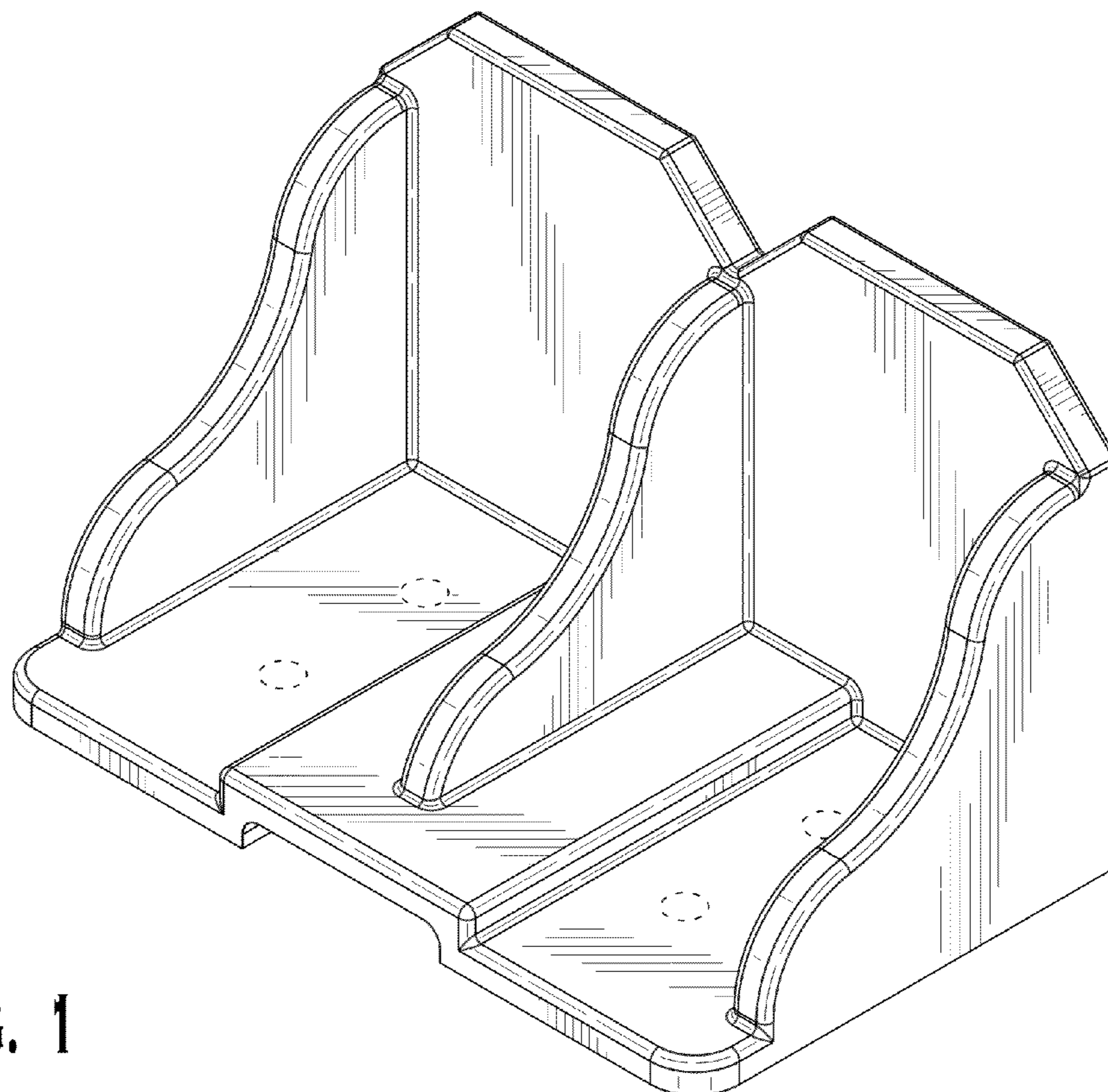


FIG. 1

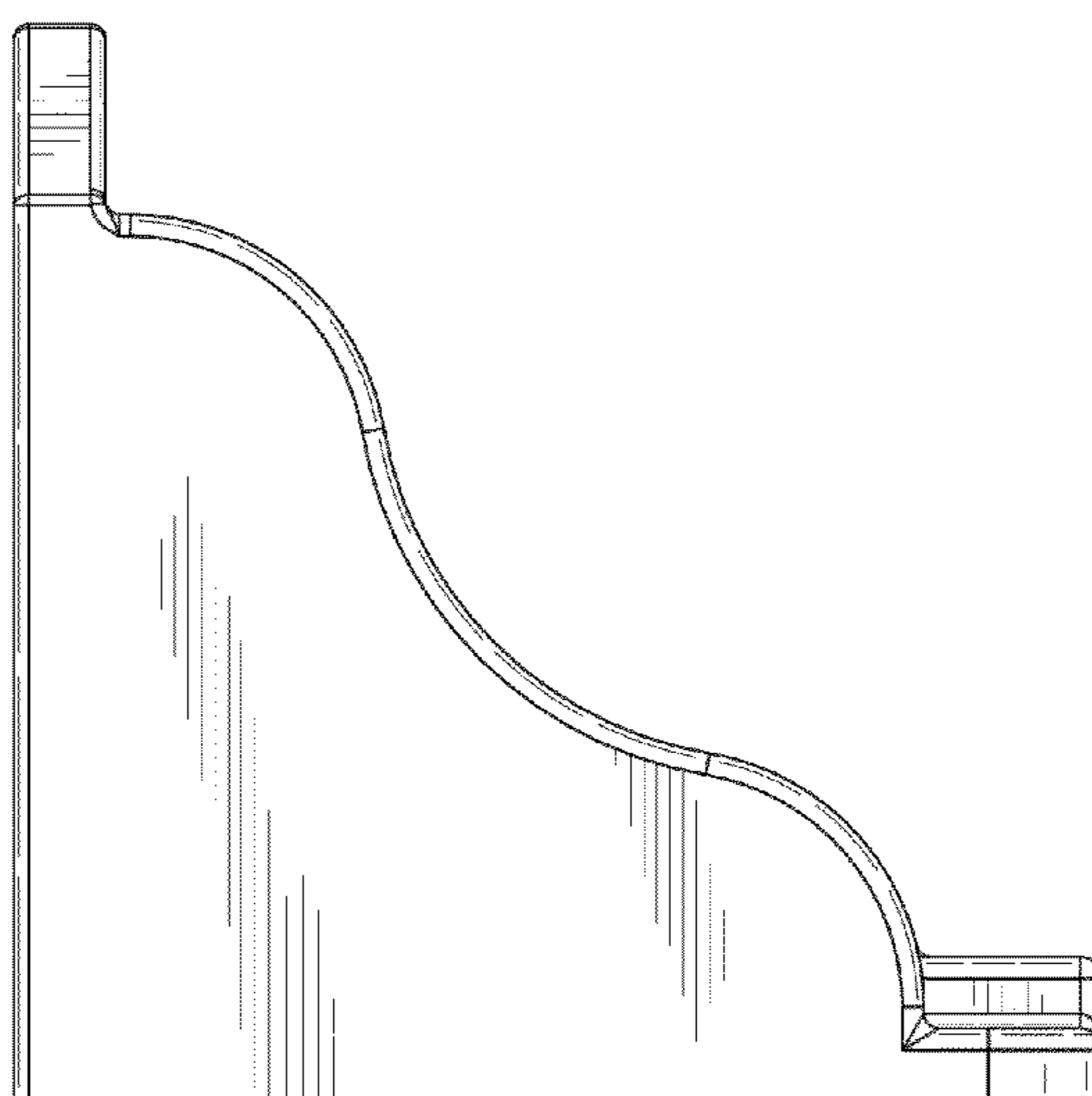


FIG. 2

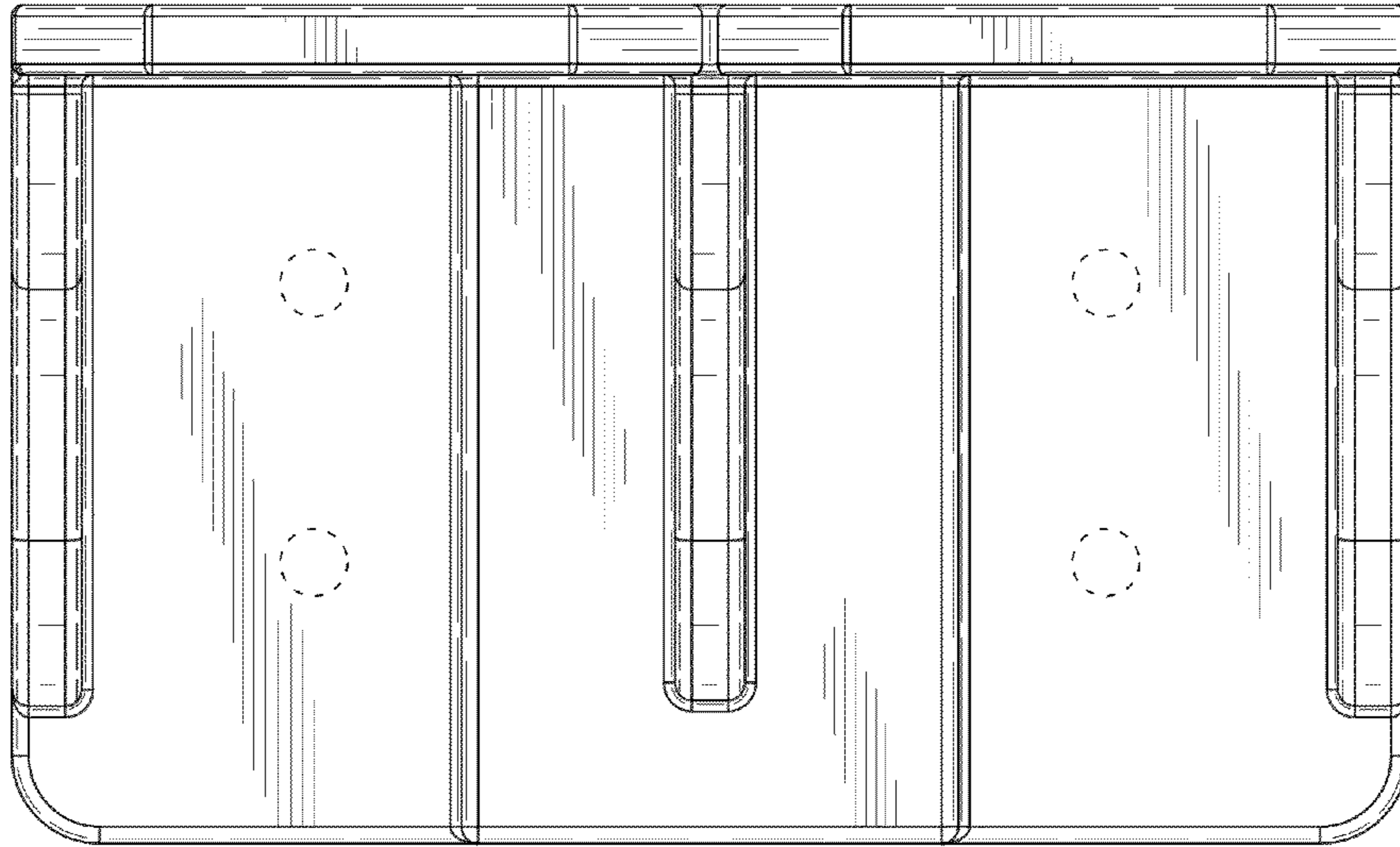


FIG. 3

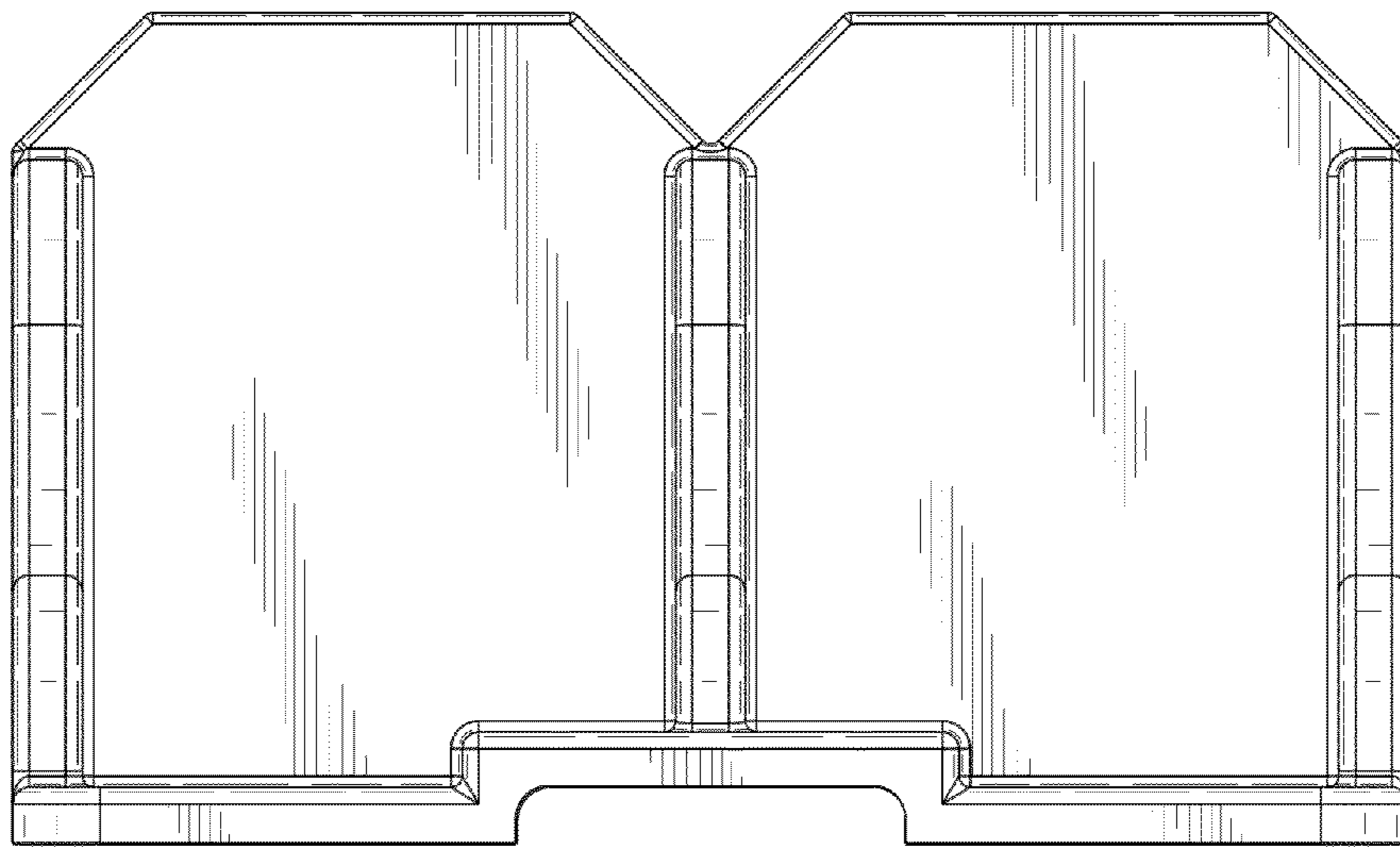


FIG. 4

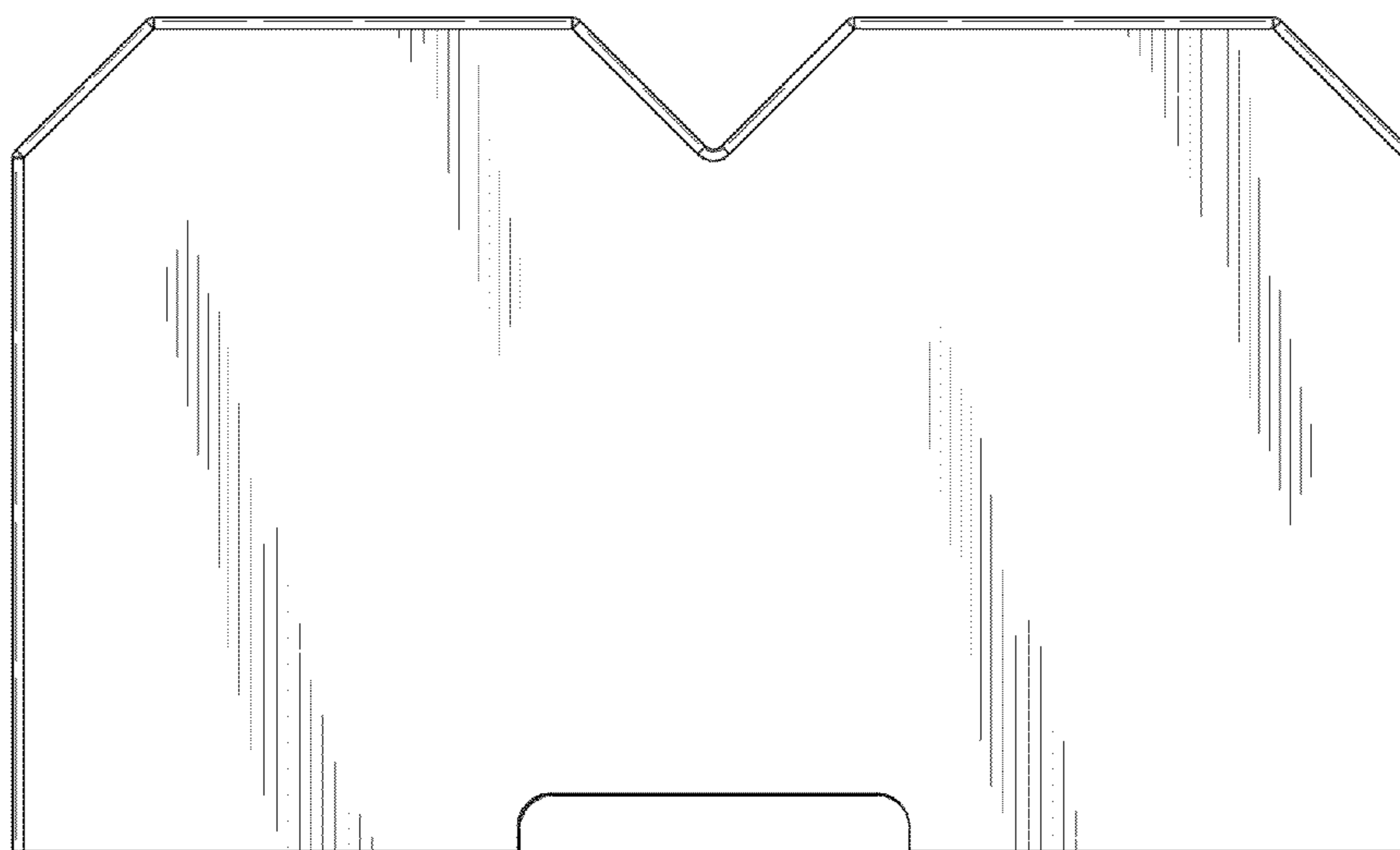


FIG. 5

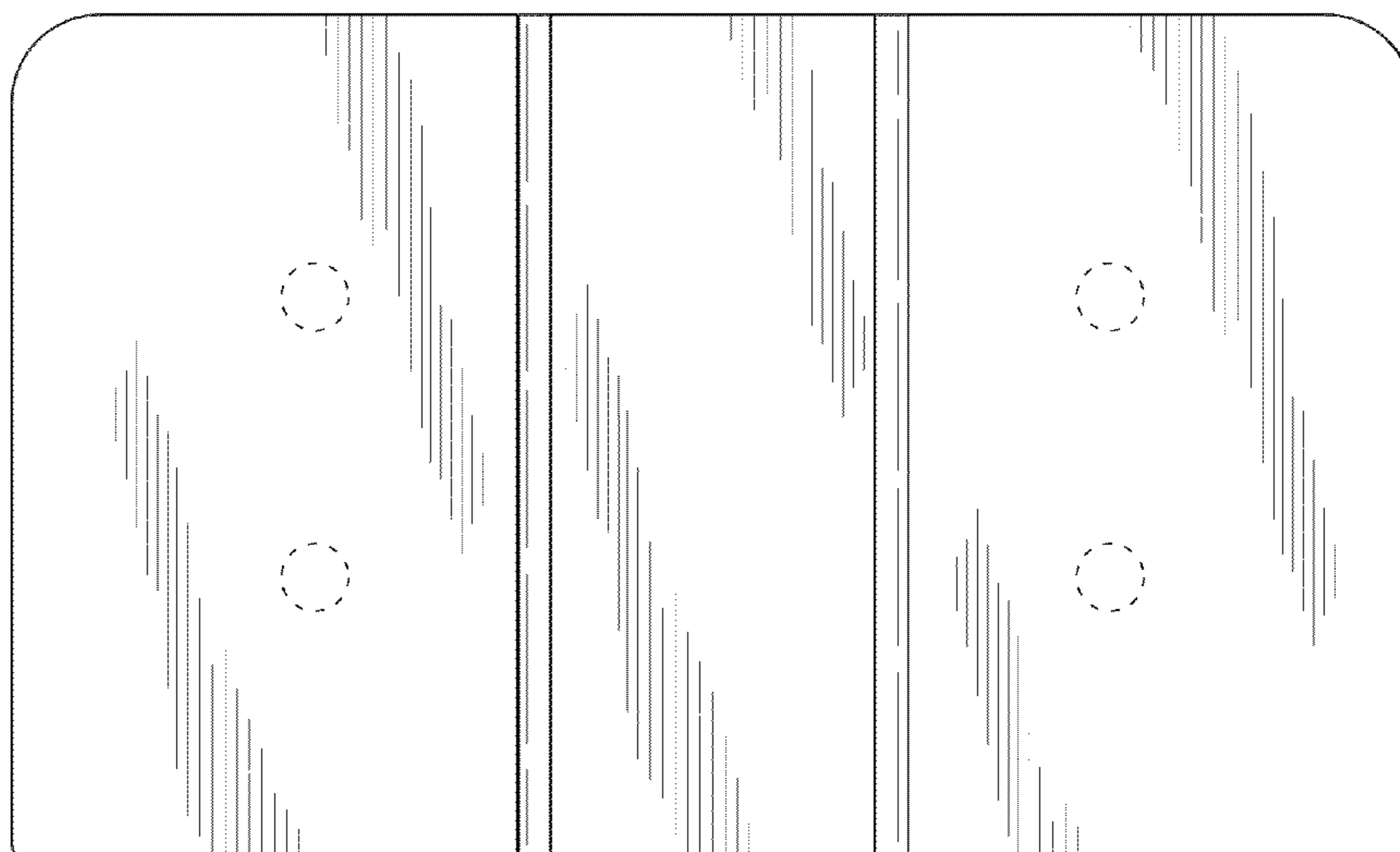


FIG. 6

FIG. 7

