



US00D689358S

(12) **United States Design Patent**
Stevens

(10) **Patent No.:** **US D689,358 S**

(45) **Date of Patent:** **** Sep. 10, 2013**

(54) **LOCK**

1,394,259 A 10/1921 Johnson
1,475,256 A 11/1923 Belair
1,510,635 A * 10/1924 Strmic 70/30

(75) Inventor: **Scott B. Stevens**, St. Francis, WI (US)

(Continued)

(73) Assignee: **Master Lock Company LLC**, Oak
Creek, WI (US)

FOREIGN PATENT DOCUMENTS

CA 1171294 7/1984
CA 2190575 11/1995

(**) Term: **14 Years**

(Continued)

(21) Appl. No.: **29/418,075**

OTHER PUBLICATIONS

(22) Filed: **Apr. 12, 2012**

International Search Report and Written Opinion of the International
Searching Authority from International Application No. PCT/
US08101427, mailed Jun. 19, 2008.

(51) **LOC (9) Cl.** **08-07**

(Continued)

(52) **U.S. Cl.**

USPC **D8/343; D8/367**

(58) **Field of Classification Search**

USPC D8/330, 331, 333, 334, 339-341,
D8/343, 349, 367; 70/20, 30, 31, 38 A, 38 R,
70/51, 52, 57.1, 141, 233, 431

See application file for complete search history.

Primary Examiner — Prabhakar Deshmukh

(74) *Attorney, Agent, or Firm* — Calfee, Halter & Griswold
LLP

(57) **CLAIM**

I claim the ornamental design for a lock, as shown and
described.

(56) **References Cited**

DESCRIPTION

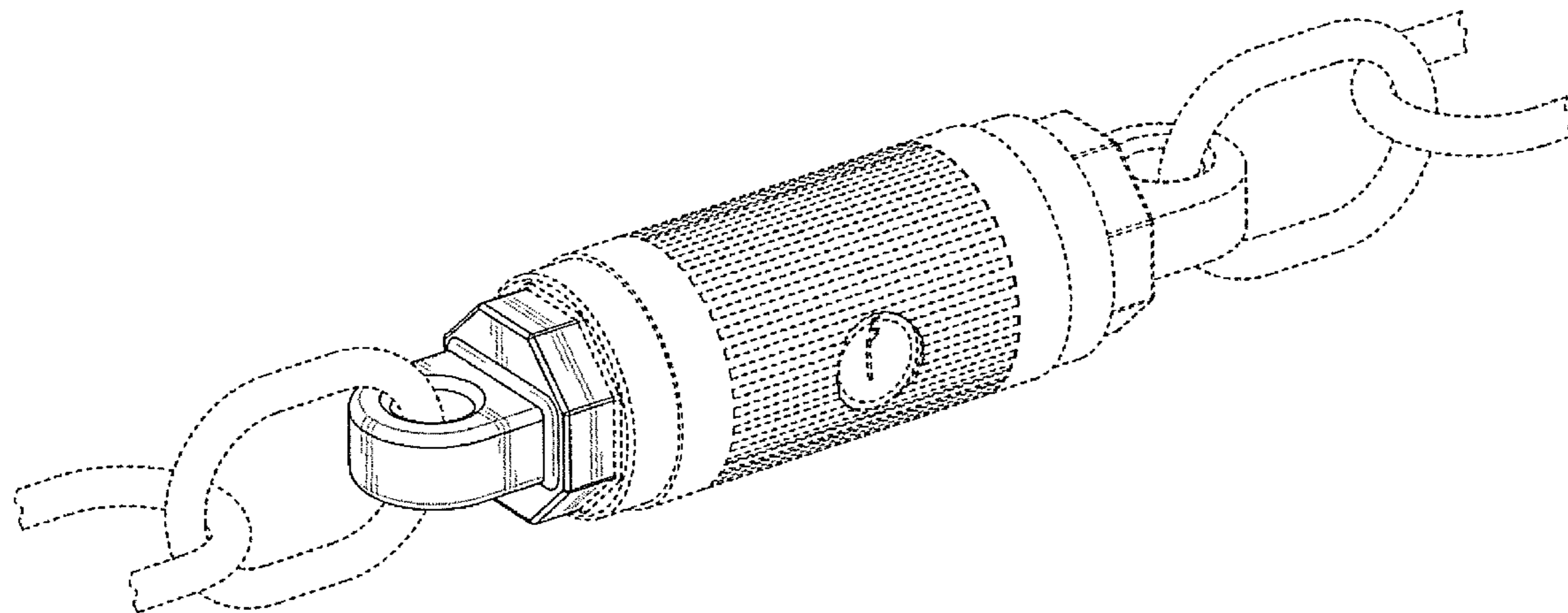
U.S. PATENT DOCUMENTS

380,961 A 4/1888 Waine
465,450 A 12/1891 Brooke
507,948 A 10/1893 Waine
535,128 A 3/1895 Barney
539,650 A 5/1895 Searle
558,814 A 4/1896 Hunt
1,091,456 A * 3/1914 Evans 417/298
1,161,562 A 11/1915 Wessen
1,240,146 A 9/1917 Jackson
1,336,309 A 4/1920 Malaczynski
1,358,184 A 11/1920 Voight
1,380,719 A 6/1921 Johnson
1,384,561 A 7/1921 Hampton

FIG. 1 is a front perspective view of a lock of the new design;
FIG. 2 is a left side elevational view of the lock of FIG. 1;
FIG. 3 is a right side elevational view of the lock of FIG. 1;
FIG. 4 is a front elevational view of the lock of FIG. 1;
FIG. 5 is a rear elevational view of the lock of FIG. 1;
FIG. 6 is a top plan view of the lock of FIG. 1; and,
FIG. 7 is a bottom plan view of the lock of FIG. 1.

The portions of the Figures shown in broken lines are for
illustrative purpose only and form no part of the claimed
design.

1 Claim, 4 Drawing Sheets



(56)

References Cited

U.S. PATENT DOCUMENTS

1,531,451 A 3/1925 Neal
 1,539,301 A 5/1925 Cooper
 1,542,016 A 6/1925 Stull
 1,566,965 A 12/1925 Johnson
 1,660,040 A 2/1928 Lehtonen
 1,851,207 A 3/1932 Neal
 1,855,686 A 4/1932 Neal
 1,900,242 A 3/1933 Lalou
 2,190,661 A 2/1940 Hauer
 2,390,885 A 12/1945 Kelley
 2,570,662 A 10/1951 Gray
 2,759,349 A 8/1956 McKee
 3,017,678 A 1/1962 Christensen
 3,435,642 A 4/1969 Del Pesco
 3,670,535 A 6/1972 Stettner et al.
 3,736,781 A * 6/1973 Foote 70/456 R
 3,841,118 A 10/1974 Stone
 D234,452 S * 3/1975 Salto D8/339
 3,907,225 A 9/1975 McElroy
 3,999,408 A * 12/1976 Kawakami 70/18
 4,236,394 A 12/1980 Harrington et al.
 4,287,731 A 9/1981 Kruger
 4,302,955 A 12/1981 Kawakami
 4,446,709 A 5/1984 Steinbach
 D274,125 S 6/1984 Hardesty et al.
 4,509,346 A 4/1985 Szczepanek
 4,574,600 A 3/1986 Moffett
 4,850,207 A 7/1989 Ylven
 4,918,951 A * 4/1990 Kavizky 70/53
 5,109,684 A 5/1992 Grandy, Sr.
 5,473,917 A 12/1995 Say
 5,517,835 A 5/1996 Smith
 5,548,981 A 8/1996 Kirk
 5,611,225 A 3/1997 Resch et al.
 5,638,707 A 6/1997 Gould
 5,660,064 A 8/1997 Ecker et al.
 5,743,117 A 4/1998 Woo et al.
 D394,197 S 5/1998 Zeller
 5,749,251 A 5/1998 Keefe
 5,791,170 A 8/1998 Officer
 5,868,012 A 2/1999 Chun-Te et al.
 5,924,313 A 7/1999 Kuo
 5,992,187 A 11/1999 Derman
 6,003,348 A 12/1999 McCrea
 D435,428 S 12/2000 Ling
 6,212,919 B1 4/2001 Gerow
 6,363,758 B1 4/2002 Ling
 D457,802 S 5/2002 Meekma et al.
 6,408,660 B1 * 6/2002 Lai 70/30

D460,341 S * 7/2002 Ling D8/330
 6,470,718 B1 10/2002 Yang
 D469,331 S 1/2003 Meekma et al.
 6,513,350 B1 2/2003 Hurd et al.
 6,526,785 B1 3/2003 Asenstorfer et al.
 D477,525 S 7/2003 Ling
 6,609,399 B1 8/2003 Daniels, Jr.
 6,629,440 B1 10/2003 Meekma et al.
 6,681,603 B1 1/2004 Yu
 6,755,054 B2 6/2004 Burmesch et al.
 D493,647 S 8/2004 Bowes
 D495,580 S 9/2004 Ho
 6,860,126 B2 3/2005 Ling
 D505,854 S 6/2005 Wyers
 6,931,894 B2 8/2005 Yu
 D515,909 S * 2/2006 Leung D8/335
 6,997,923 B2 2/2006 Huang
 7,104,093 B2 9/2006 Ling et al.
 7,140,210 B2 11/2006 Cheng
 7,152,439 B1 12/2006 Chang
 D540,149 S * 4/2007 Tollefson D8/330
 D548,042 S * 8/2007 Smyczek et al. D8/334
 7,412,854 B2 8/2008 Raemisch et al.
 7,526,932 B2 5/2009 Funtmann
 7,631,524 B2 * 12/2009 Araujo 70/25
 7,870,764 B2 1/2011 Burmesch
 D674,266 S * 1/2013 Misner et al. D8/334
 2002/0083744 A1 7/2002 Lai
 2003/0029207 A1 2/2003 Young
 2003/0046852 A1 3/2003 Burmesch et al.
 2003/0089141 A1 5/2003 Edwards et al.
 2003/0089147 A1 5/2003 Yang
 2004/0011098 A1 1/2004 Yang
 2005/0044903 A1 3/2005 Ling et al.
 2005/0092037 A1 5/2005 Meekma et al.
 2005/0155395 A1 7/2005 Yu
 2008/0184748 A1 8/2008 Burmesch

FOREIGN PATENT DOCUMENTS

EP 0681078 11/1995
 EP 0893562 1/1999
 WO 02/20926 3/2002

OTHER PUBLICATIONS

Partial Search Report from PCT/US2004/031557.
 Printout from web site; Master Lock Combination Cable Locks,
http://masterlock.com/products/category_products.jsp?category=MLCOM_CableLocks, 3 pages, 2012.
 Printout from web site; Master Cable Locks, <http://masterlock.com/products/subcategory/CableLocks>, 5 pages, 2012.

* cited by examiner

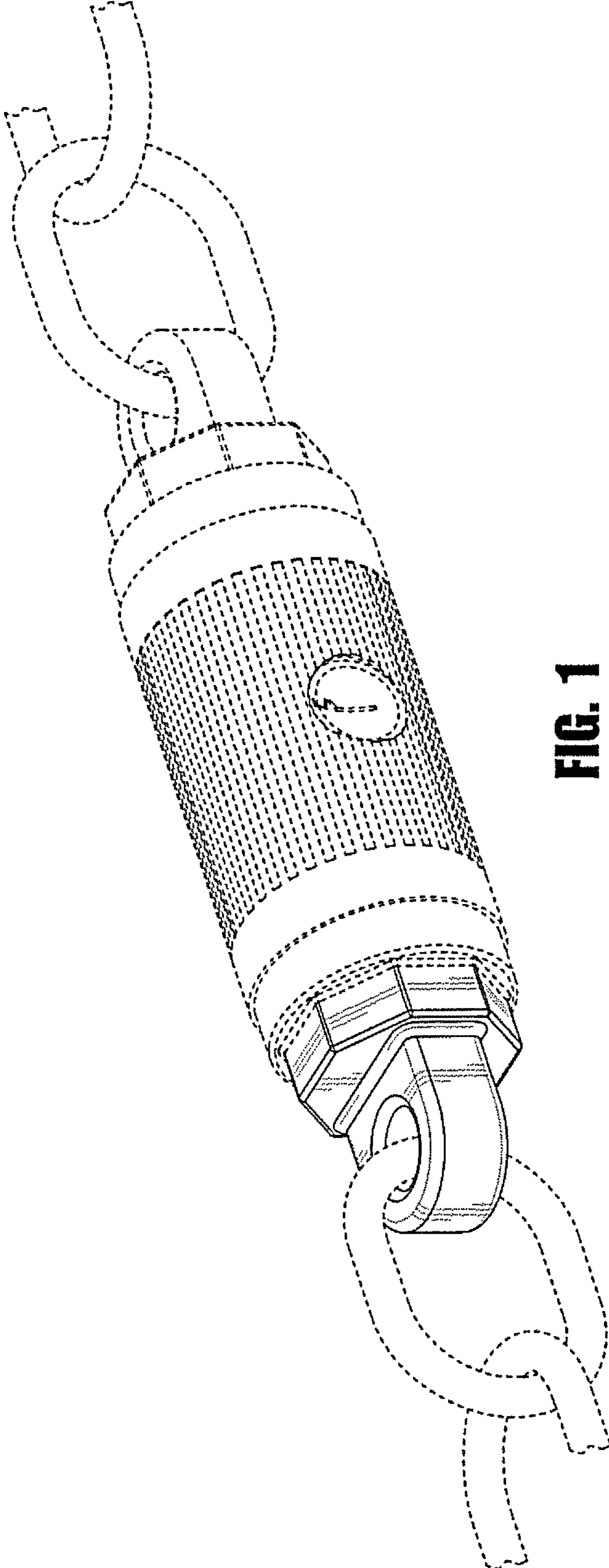


FIG. 1

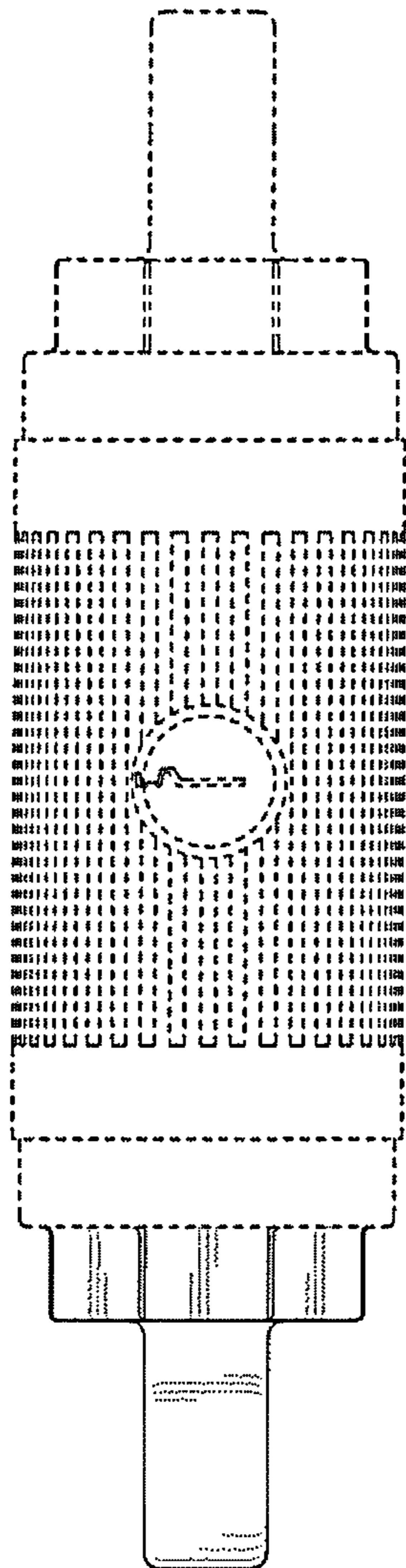


FIG. 2

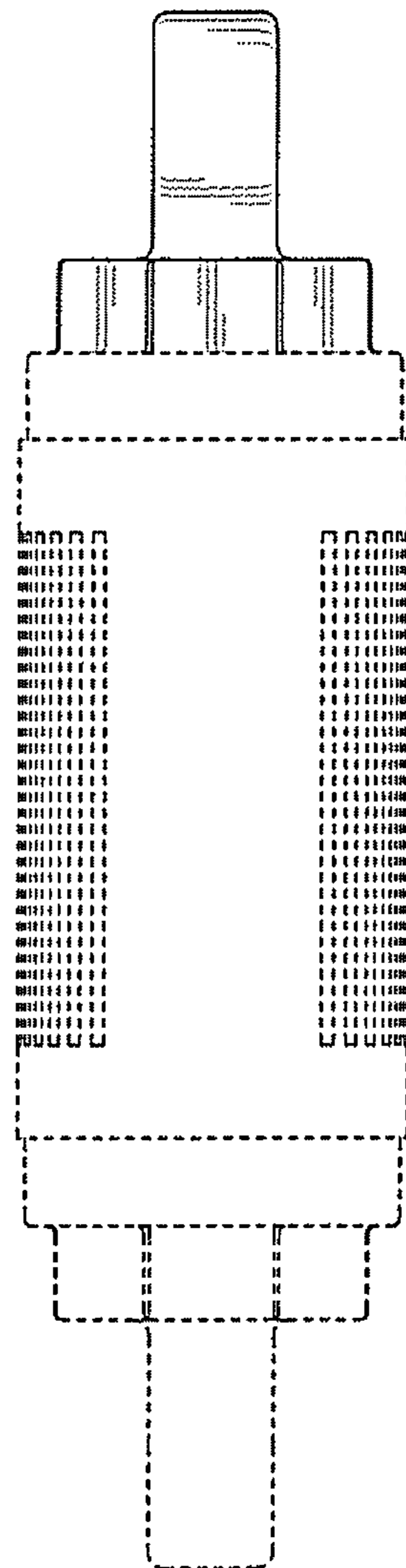


FIG. 3

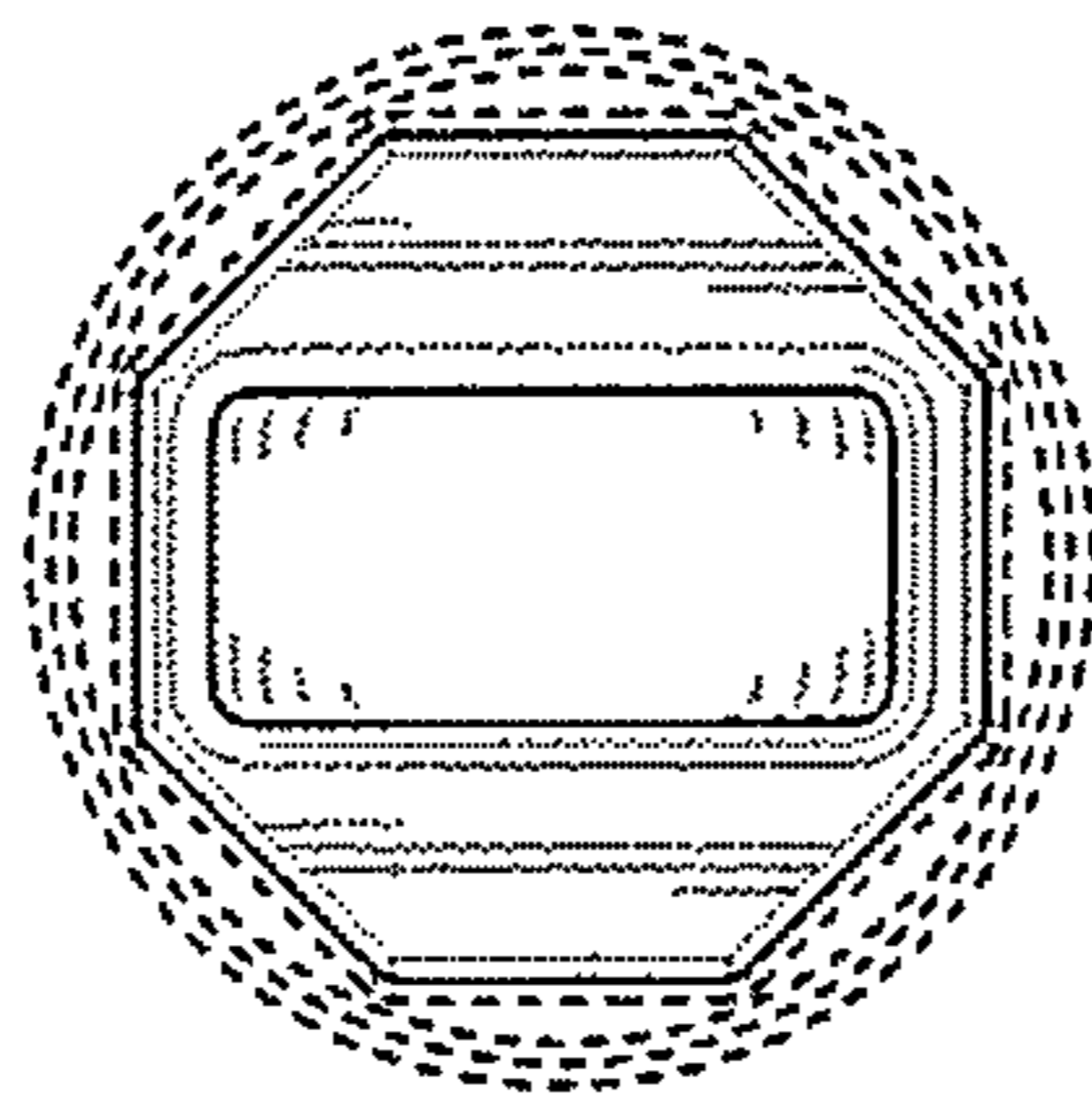


FIG. 4

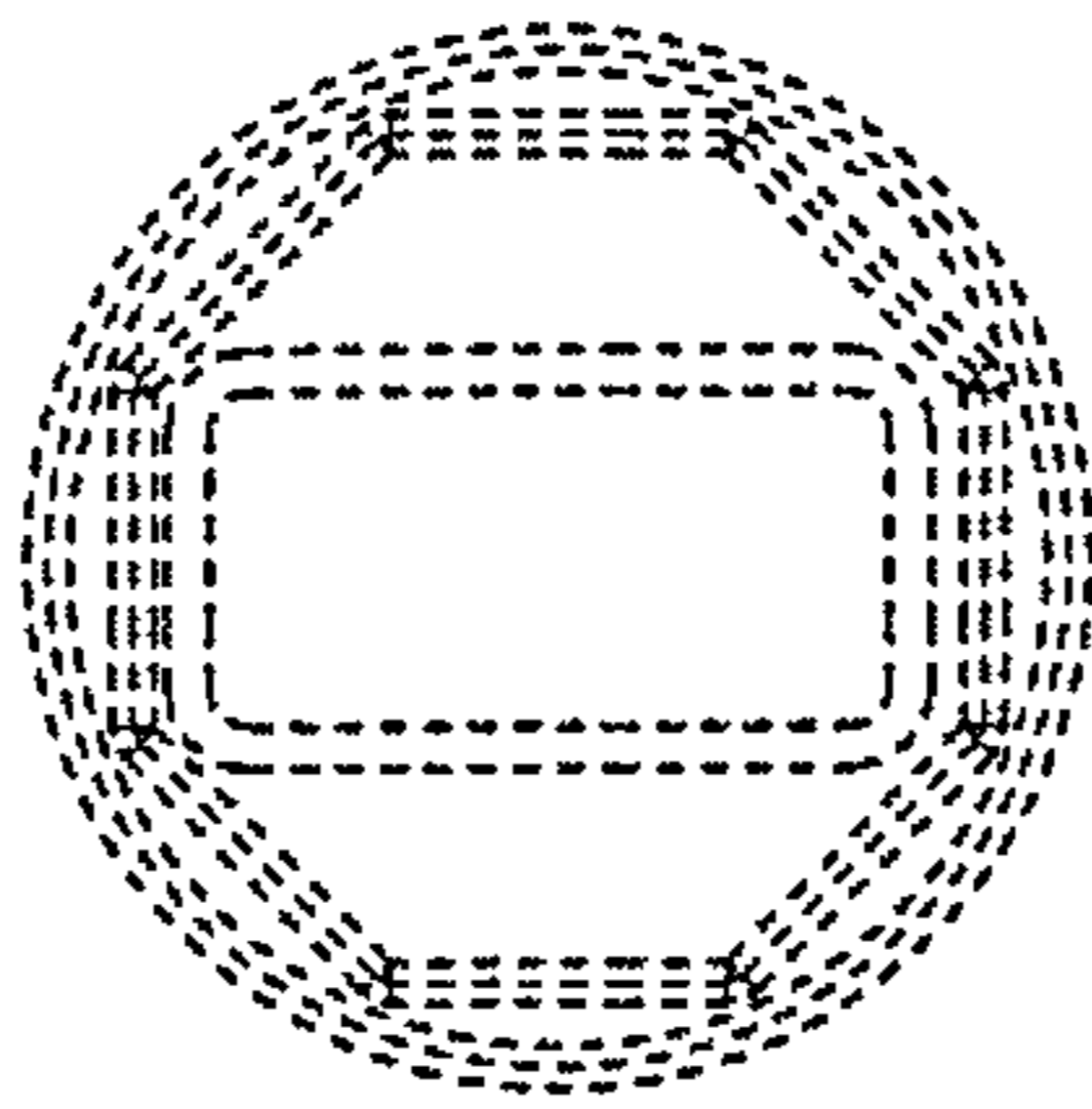


FIG. 5

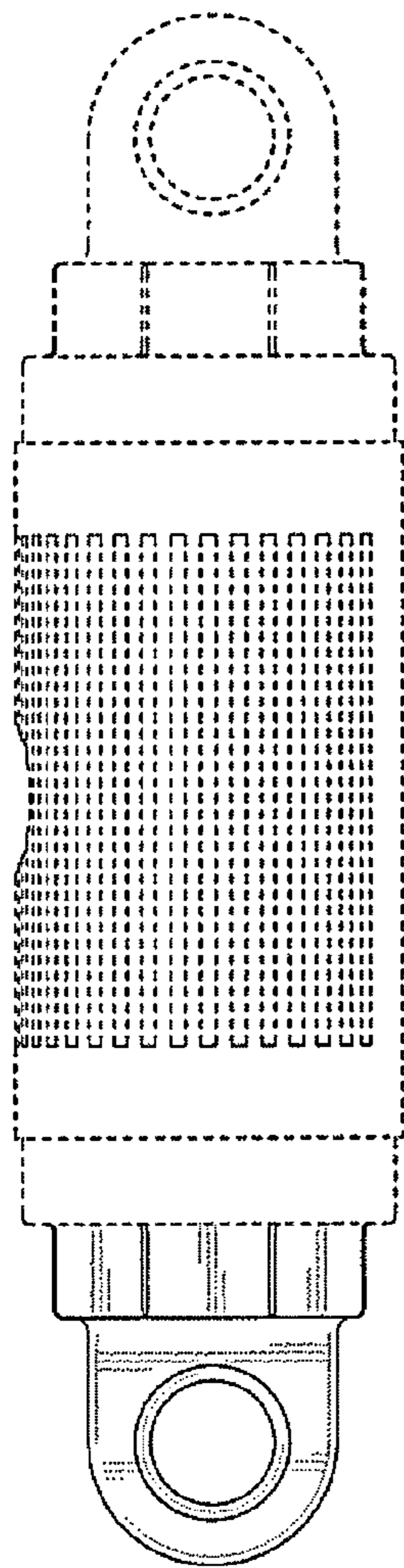


FIG. 6

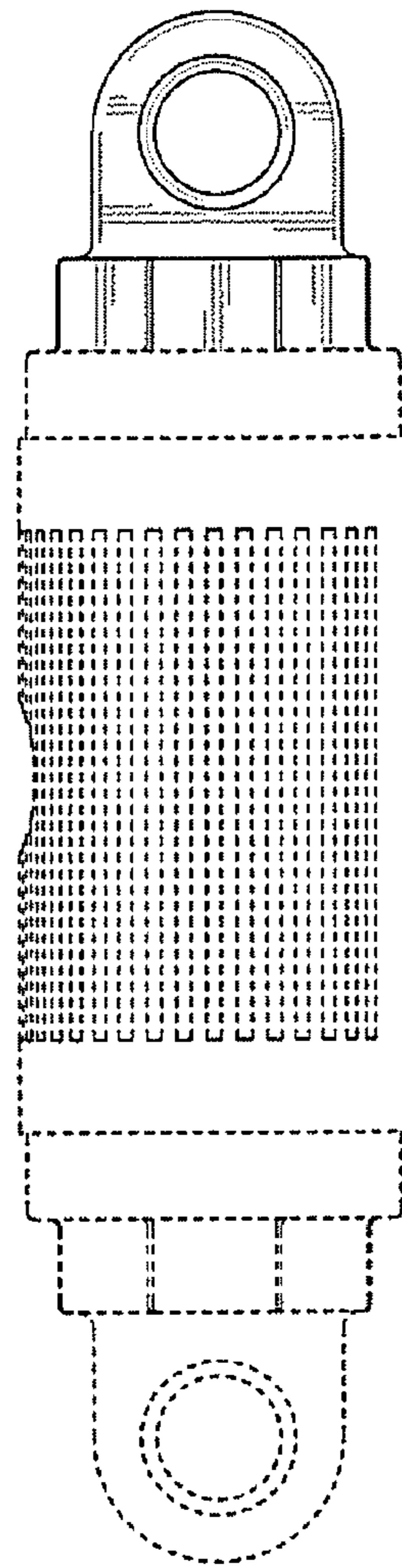


FIG. 7