



US00D689355S

(12) **United States Design Patent**  
**Miller**

(10) **Patent No.:** **US D689,355 S**

(45) **Date of Patent:** **\*\* Sep. 10, 2013**

(54) **POWER TOOL BODY**

(71) Applicant: **Black & Decker Inc.**, Newark, DE (US)

(72) Inventor: **David A. Miller**, Baltimore, MD (US)

(73) Assignee: **Black & Decker Inc.**, Newark, DE (US)

(\*\*) Term: **14 Years**

(21) Appl. No.: **29/435,411**

(22) Filed: **Oct. 24, 2012**

(51) **LOC (9) Cl.** ..... **08-03**

(52) **U.S. Cl.**  
USPC ..... **D8/68**

(58) **Field of Classification Search**

USPC ..... D8/61, 67, 68; 81/57.11, 429, 469;  
173/13, 104, 178, 213, 216, 217; 408/20,  
408/124, 125, 234, 241 R

See application file for complete search history.

(56) **References Cited**

**U.S. PATENT DOCUMENTS**

D599,639 S *	9/2009	Bradford et al.	.....	D8/68
D607,705 S *	1/2010	Murray	.....	D8/68
D609,544 S *	2/2010	Lopano et al.	.....	D8/68
D610,422 S *	2/2010	Houghton	.....	D8/68
D611,319 S *	3/2010	Van Wambeke et al.	.....	D8/68

D617,621 S *	6/2010	Houghton et al.	.....	D8/68
D617,622 S *	6/2010	Lopano	.....	D8/68
7,766,097 B2 *	8/2010	Kondo	.....	173/217
D626,394 S *	11/2010	Lopano	.....	D8/68
D642,037 S *	7/2011	Miller et al.	.....	D8/68
D642,038 S *	7/2011	Murray	.....	D8/68
2003/0143042 A1 *	7/2003	Doyle et al.	.....	408/124
2011/0220379 A1 *	9/2011	Bixler et al.	.....	173/216

\* cited by examiner

*Primary Examiner* — Philip S Hyder

*Assistant Examiner* — Darlington Ly

(74) *Attorney, Agent, or Firm* — Stephen R. Valancius

(57) **CLAIM**

The ornamental design for a power tool body, as shown and described.

**DESCRIPTION**

FIG. 1 is a perspective view of a power tool body showing my new design;

FIG. 2 is a front view thereof

FIG. 3 is a rear view thereof;

FIG. 4 is a right side view thereof;

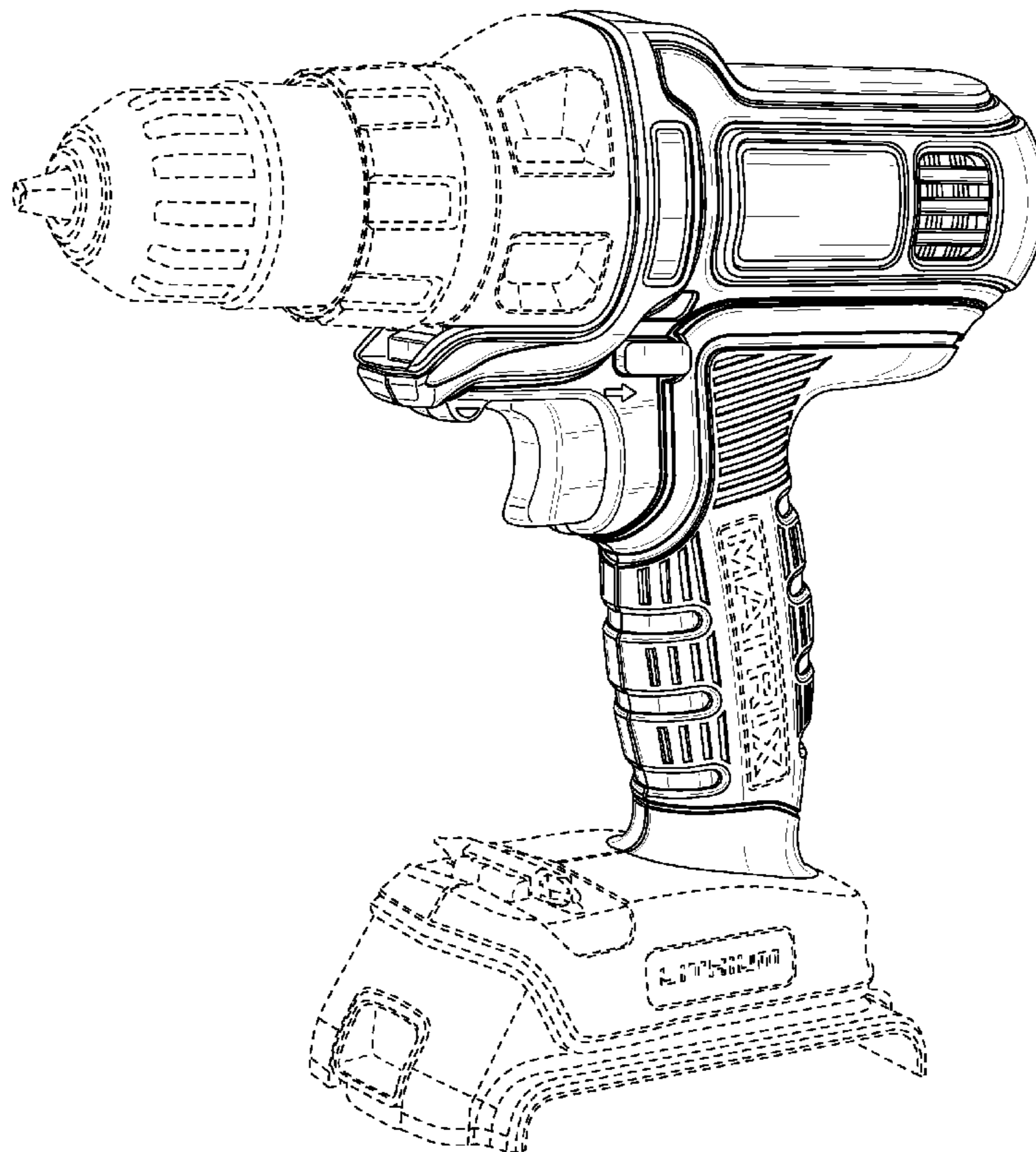
FIG. 5 is a left side view thereof;

FIG. 6 is a top plan view thereof; and,

FIG. 7 is a bottom plan view thereof.

In the above drawings, the broken lines and the areas within the broken lines form no part of the claimed design.

**1 Claim, 7 Drawing Sheets**



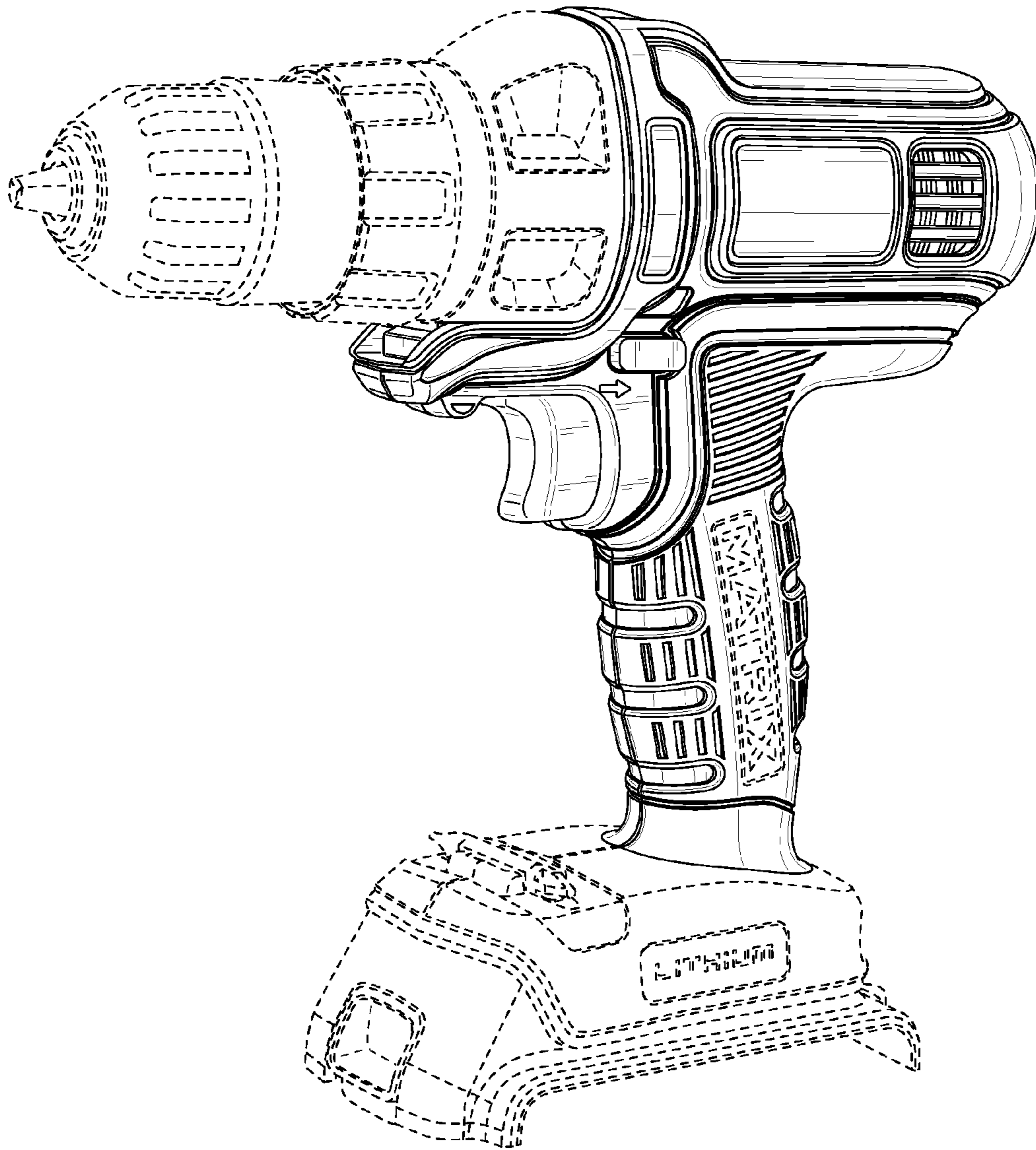


FIG. 1

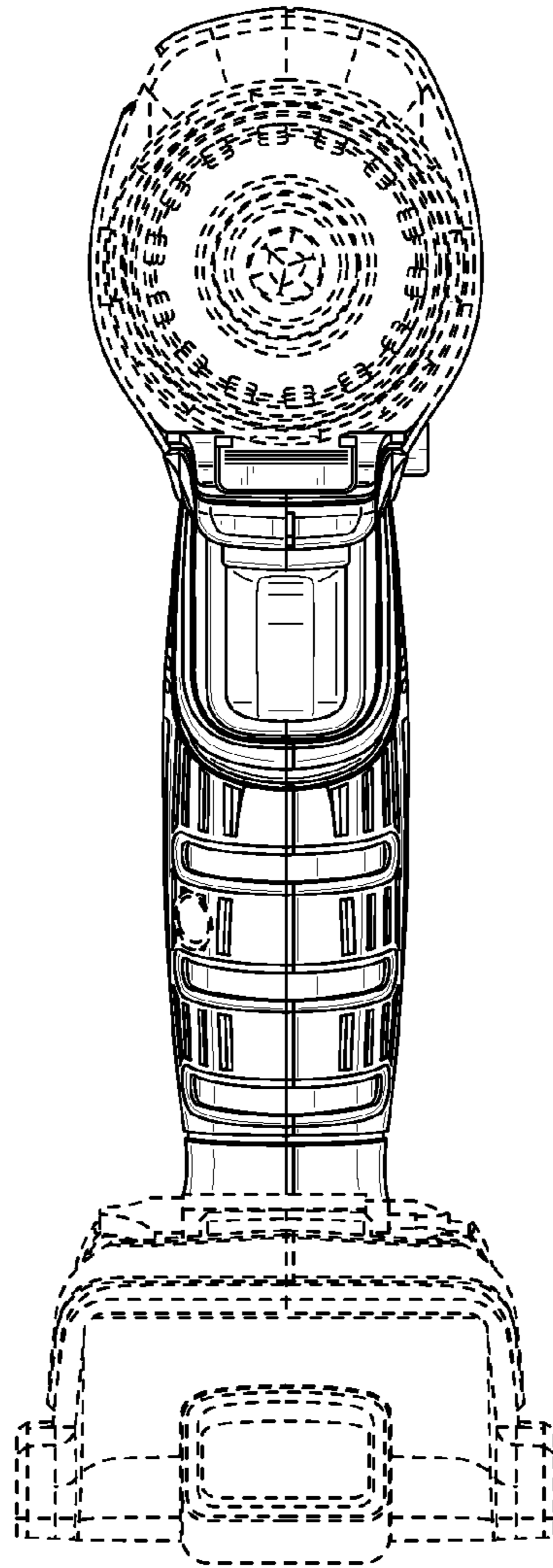


FIG. 2

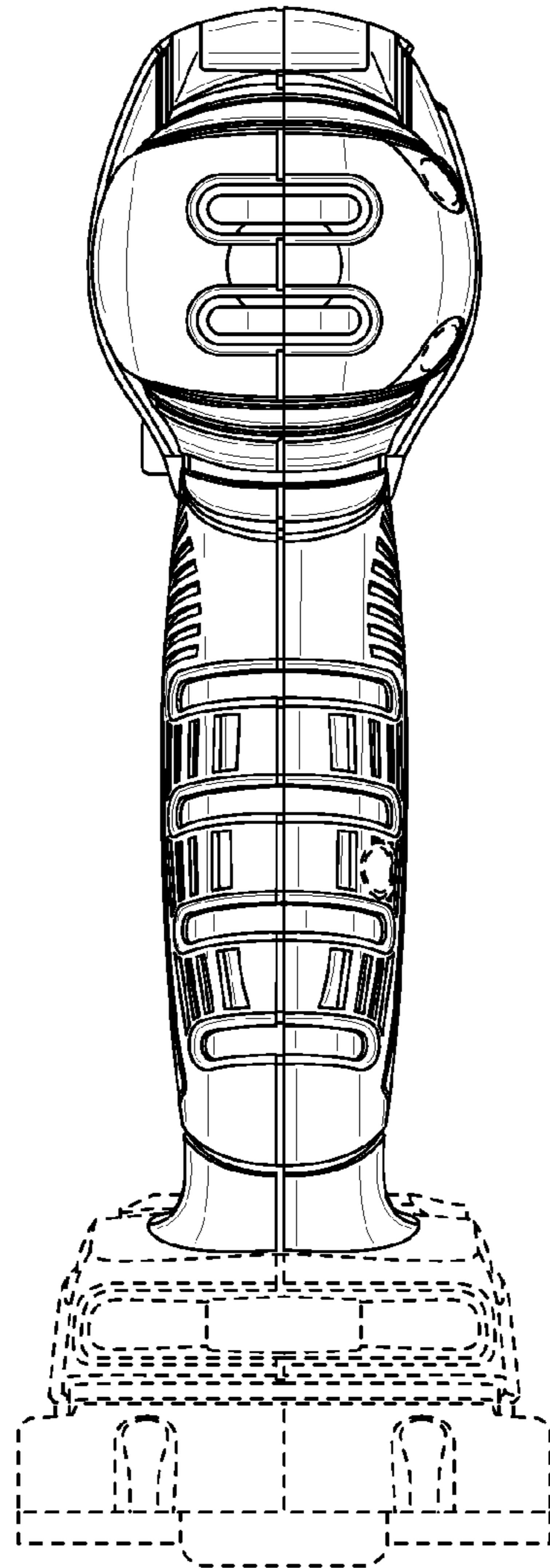


FIG. 3

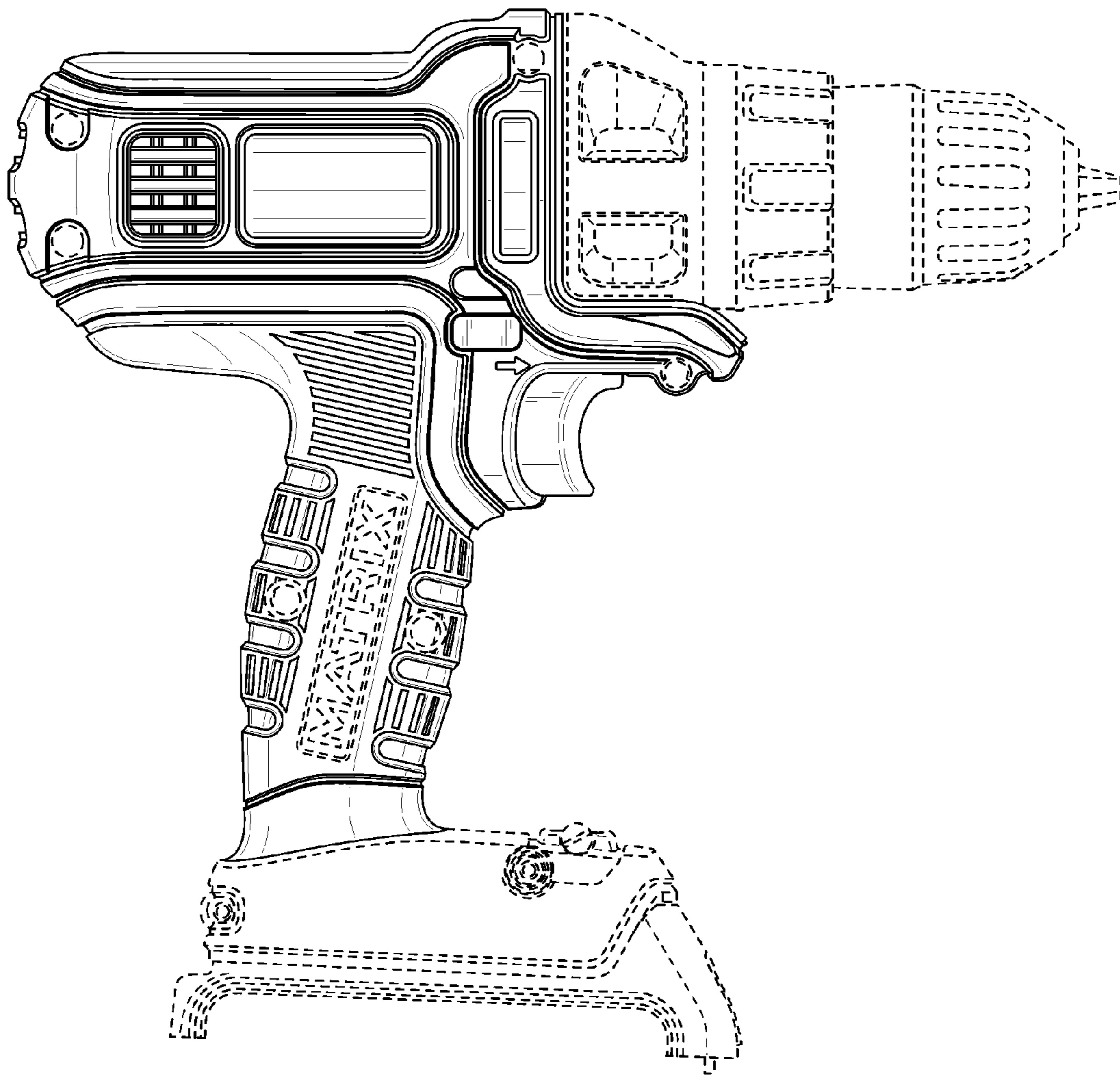


FIG. 4

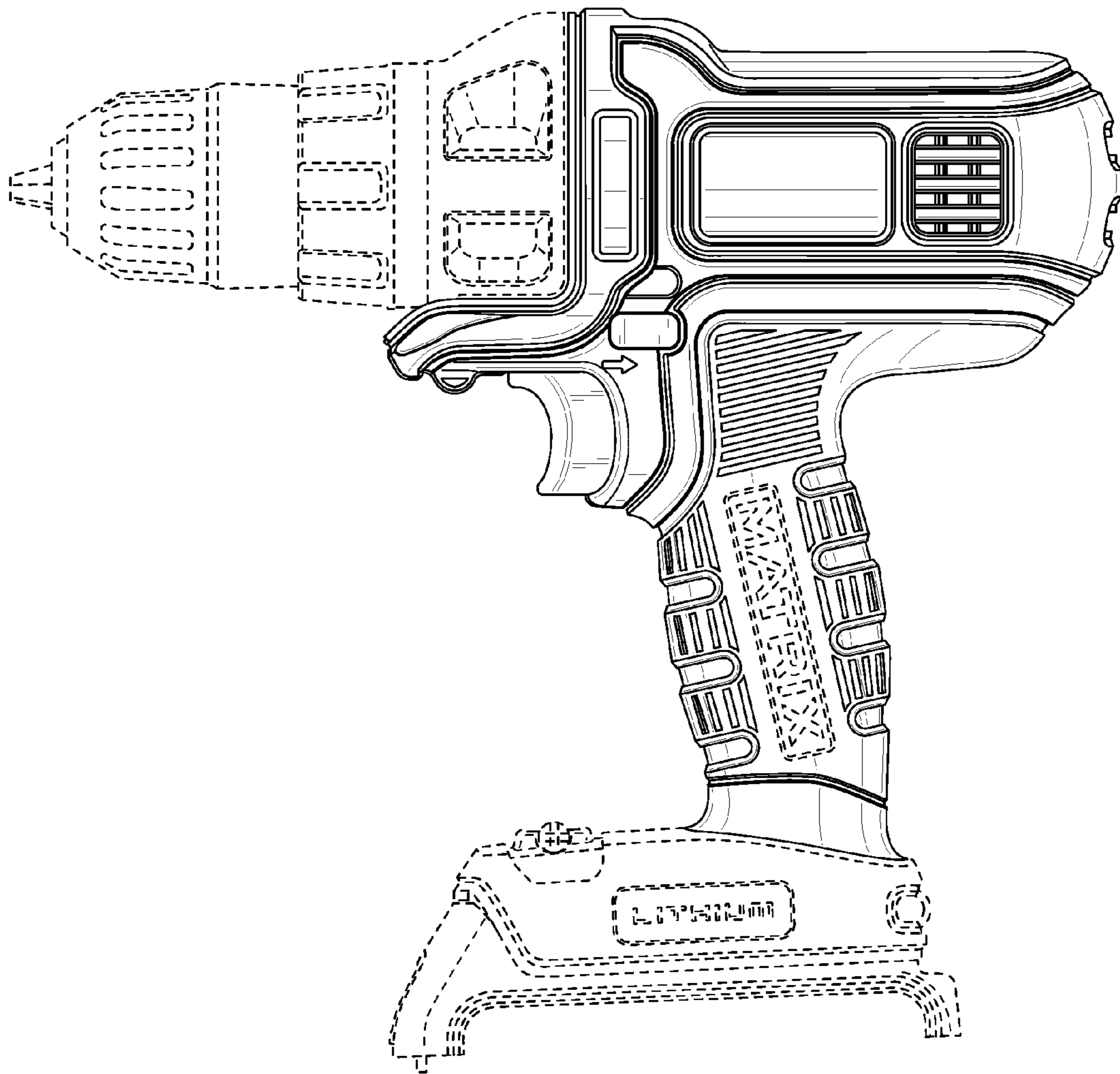


FIG. 5

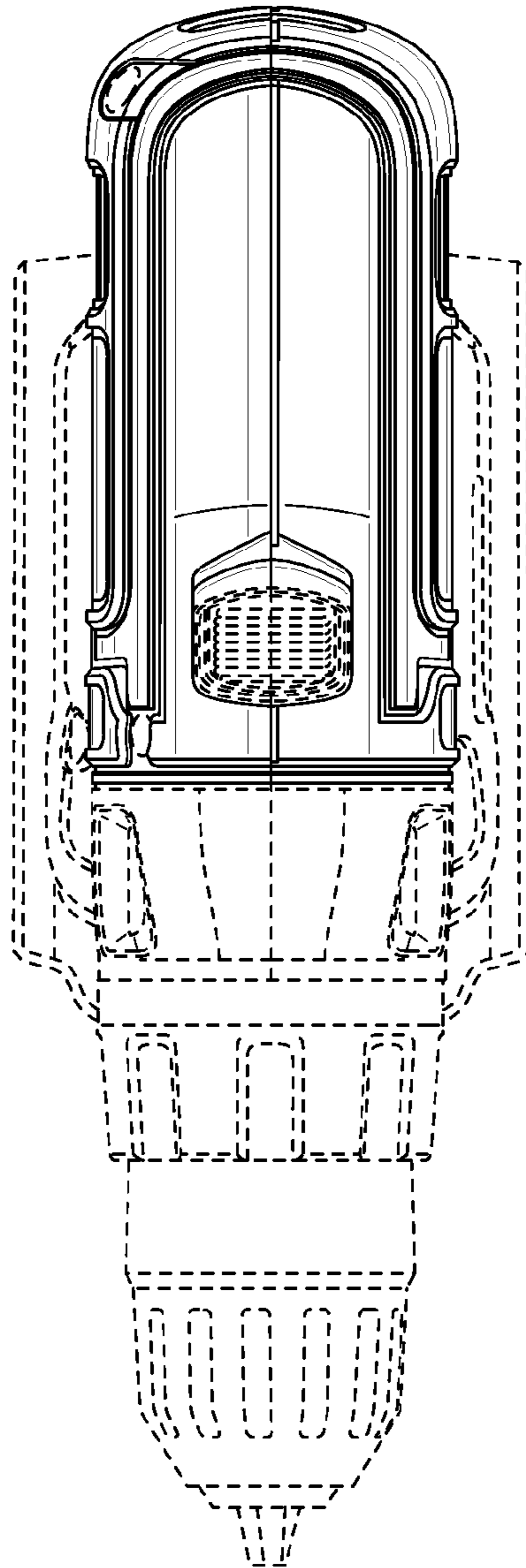


FIG. 6

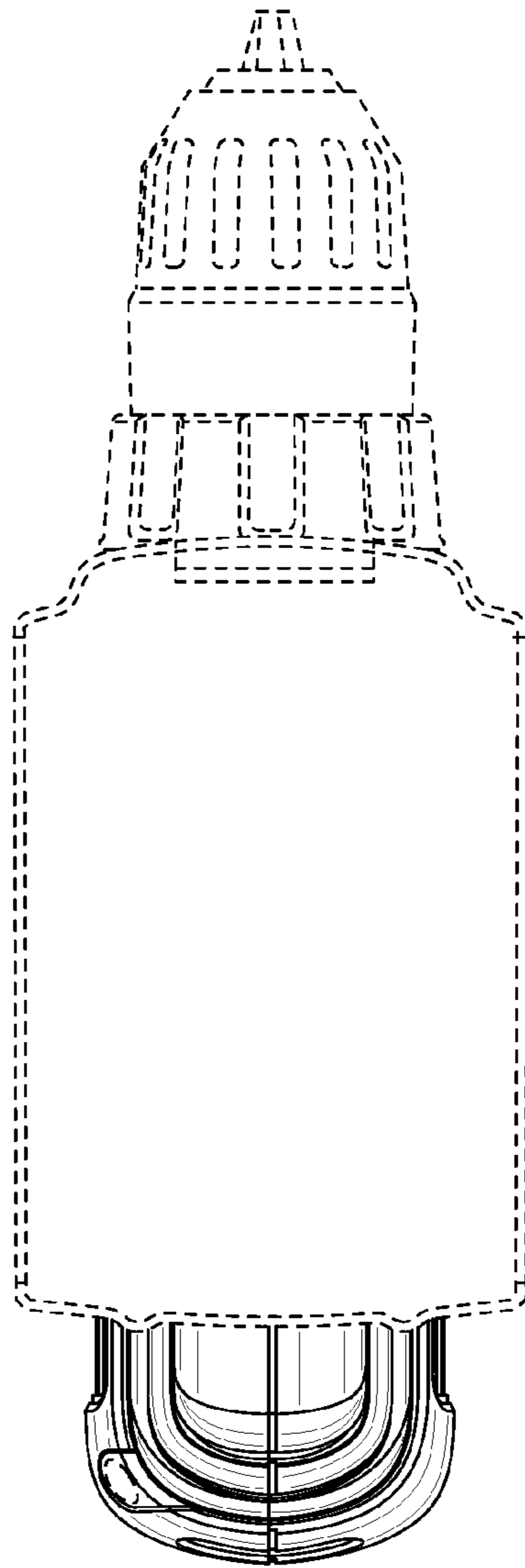


FIG. 7