

US00D689353S

(12) **United States Design Patent**
Dockser et al.

(10) **Patent No.:** **US D689,353 S**
(45) **Date of Patent:** **** Sep. 10, 2013**

(54) **WINE EXTRACTION AND PRESERVATION
DEVICE**

(75) Inventors: **Mark Dockser**, Reading, MA (US);
Otto Deruntz, Dunstable, MA (US);
Gregory Lambrecht, Natick, MA (US);
Jason Robinson, Tewksbury, MA (US);
Jonas Brickus, Milton, MA (US)

(73) Assignee: **Coravin, LLC**, Burlington, MA (US)

(**) Term: **14 Years**

(21) Appl. No.: **29/422,640**

(22) Filed: **May 22, 2012**

(51) **LOC (9) Cl.** **07-06**

(52) **U.S. Cl.**
USPC **D8/42**

(58) **Field of Classification Search**
USPC D8/14, 16–19, 33–43, 88, 89, 105;
7/113, 151–156; 30/400–410, 416–430,
30/433, 434, 443, 450; 81/3.07, 3.09, 3.2,
81/3.27, 3.29, 3.31, 3.35, 3.37, 3.4, 3.45,
81/3.48, 3.49, 3.55
See application file for complete search history.

(56) **References Cited**

U.S. PATENT DOCUMENTS

D268,245 S * 3/1983 Makino et al. D8/42
D276,788 S * 12/1984 Ravreby D8/42
D288,521 S * 3/1987 Van Asten D8/42
D319,169 S * 8/1991 van Asten D8/36

D464,241 S * 10/2002 Sun D8/39
D471,778 S * 3/2003 Federighi D8/42
D539,624 S * 4/2007 Boussemart et al. D8/42
D561,547 S * 2/2008 Lee et al. D8/36
D610,416 S * 2/2010 Kushner et al. D8/42
7,712,637 B2 5/2010 Lambrecht
D616,716 S * 6/2010 Chan D8/42
8,141,746 B2 3/2012 Lambrecht
2003/0033907 A1 * 2/2003 Lian 81/3.2
2004/0226409 A1 * 11/2004 Lin 81/3.2
2011/0056998 A1 3/2011 Lambrecht

* cited by examiner

Primary Examiner — Garth Rademaker

(74) *Attorney, Agent, or Firm* — Wolf, Greenfield & Sacks,
P.C.

(57) **CLAIM**

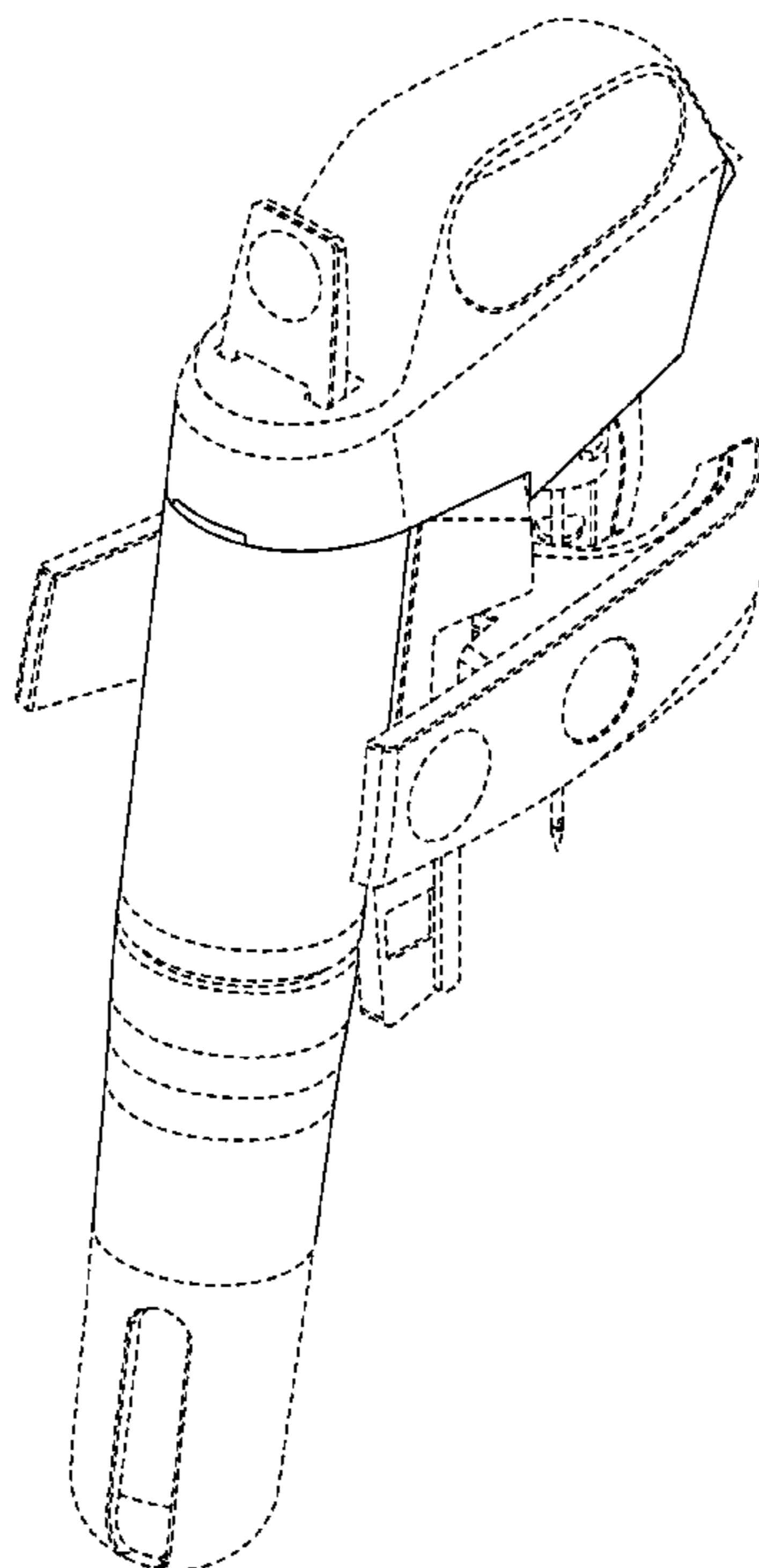
The ornamental design for a wine extraction and preservation device, as shown and described.

DESCRIPTION

FIG. 1 is a front, top, and right side perspective view of a wine extraction and preservation device;
FIG. 2 is a back, top, and left side perspective view thereof;
FIG. 3 is a front view thereof;
FIG. 4 is a rear view thereof;
FIG. 5 is a left side view thereof;
FIG. 6 is a right side view thereof;
FIG. 7 is a top view thereof; and,
FIG. 8 is a bottom view thereof.

The broken lines in the drawings illustrate features of the wine extraction and preservation device which form no part of the claimed design.

1 Claim, 8 Drawing Sheets



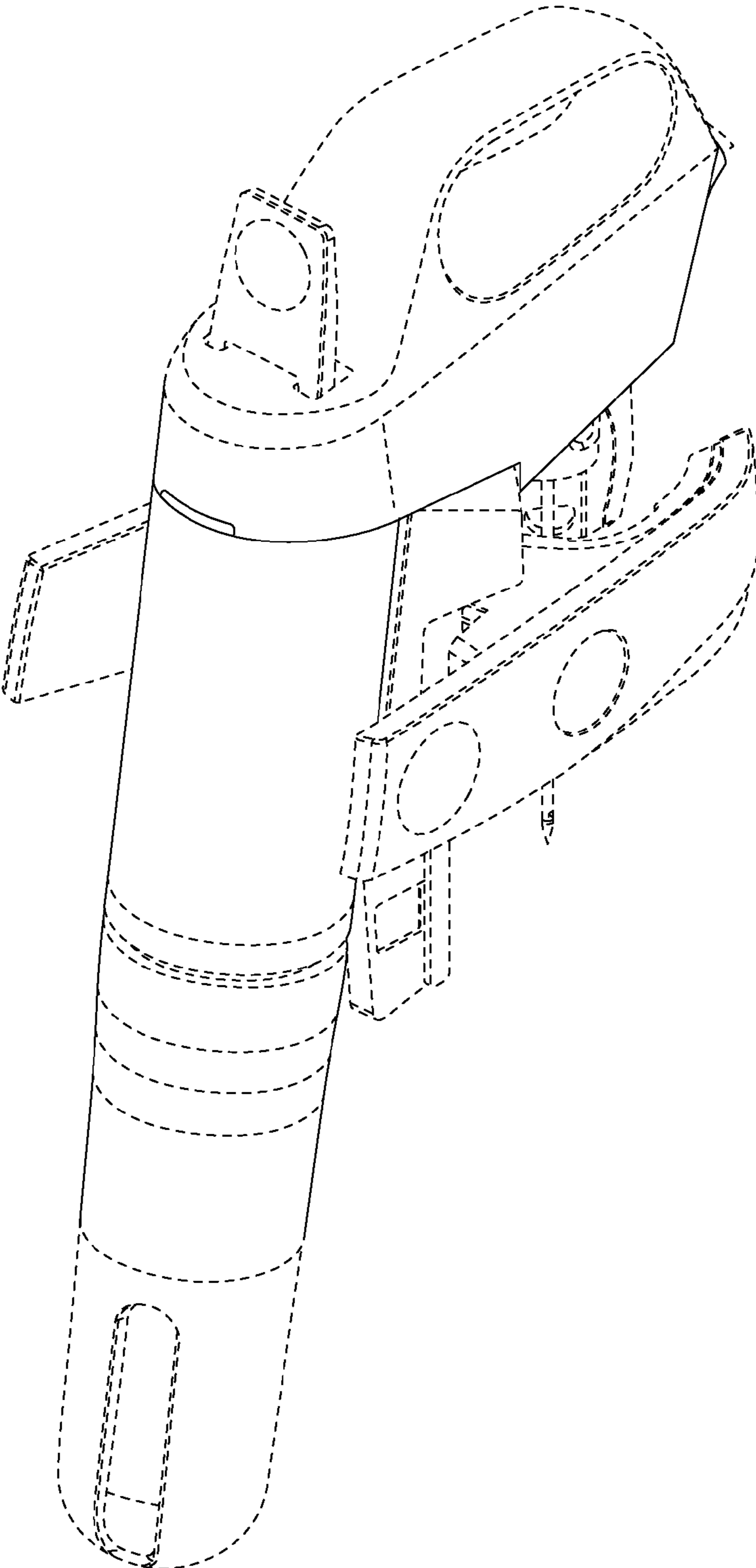


FIG. 1

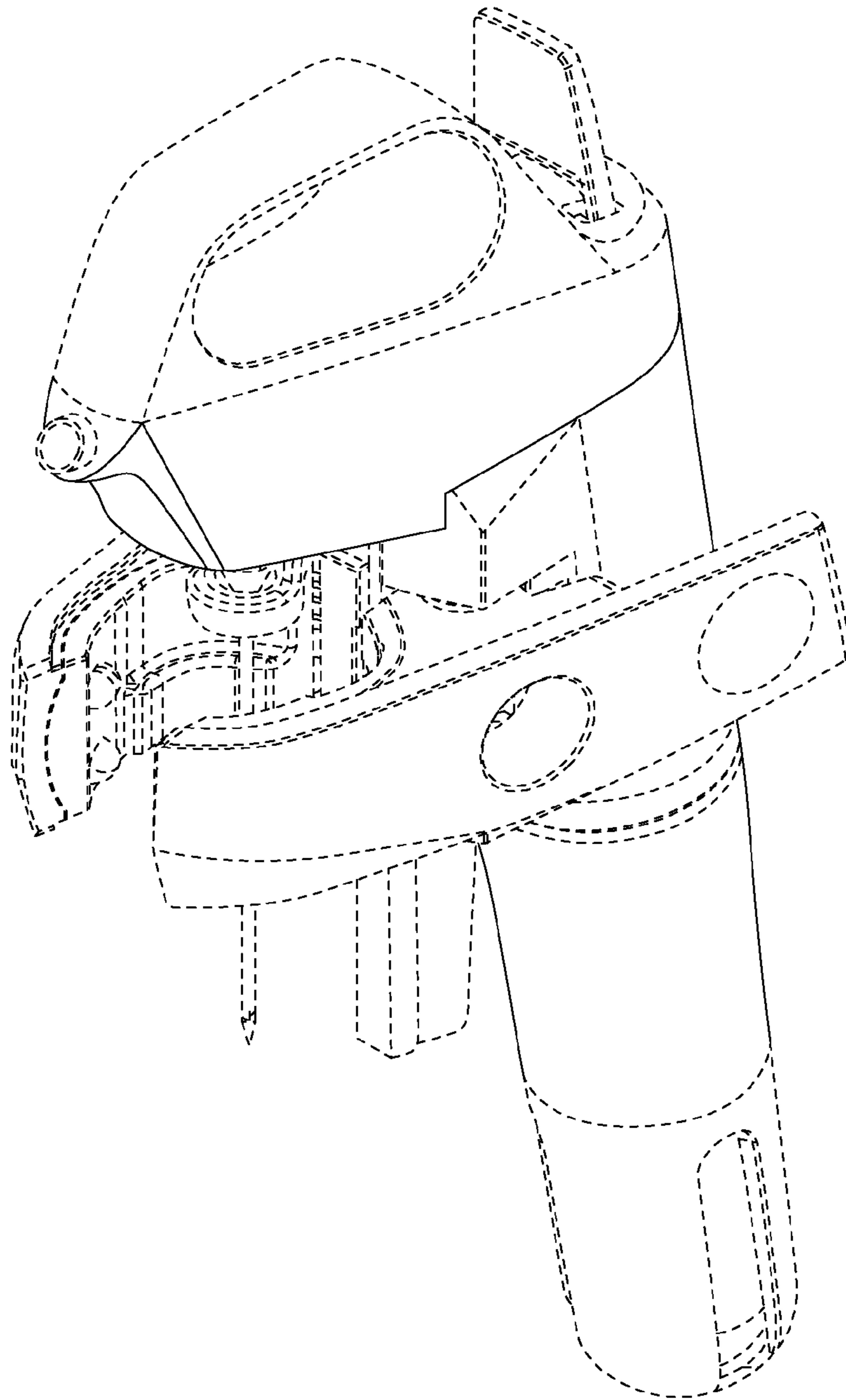


FIG. 2

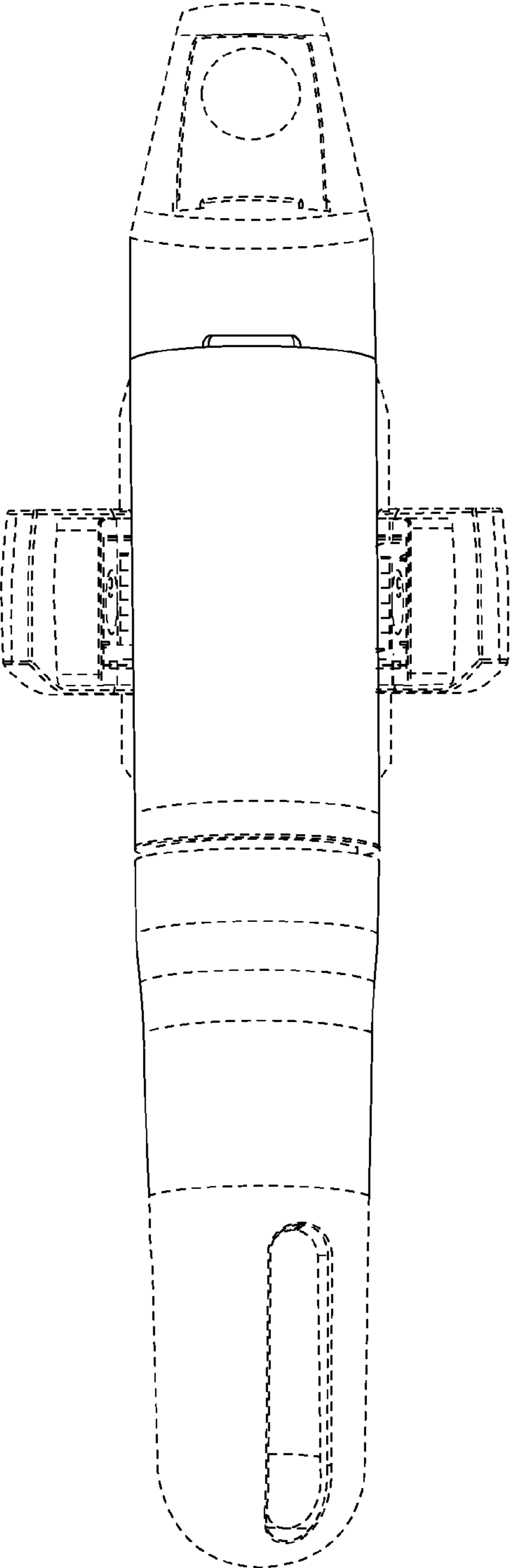


FIG. 3

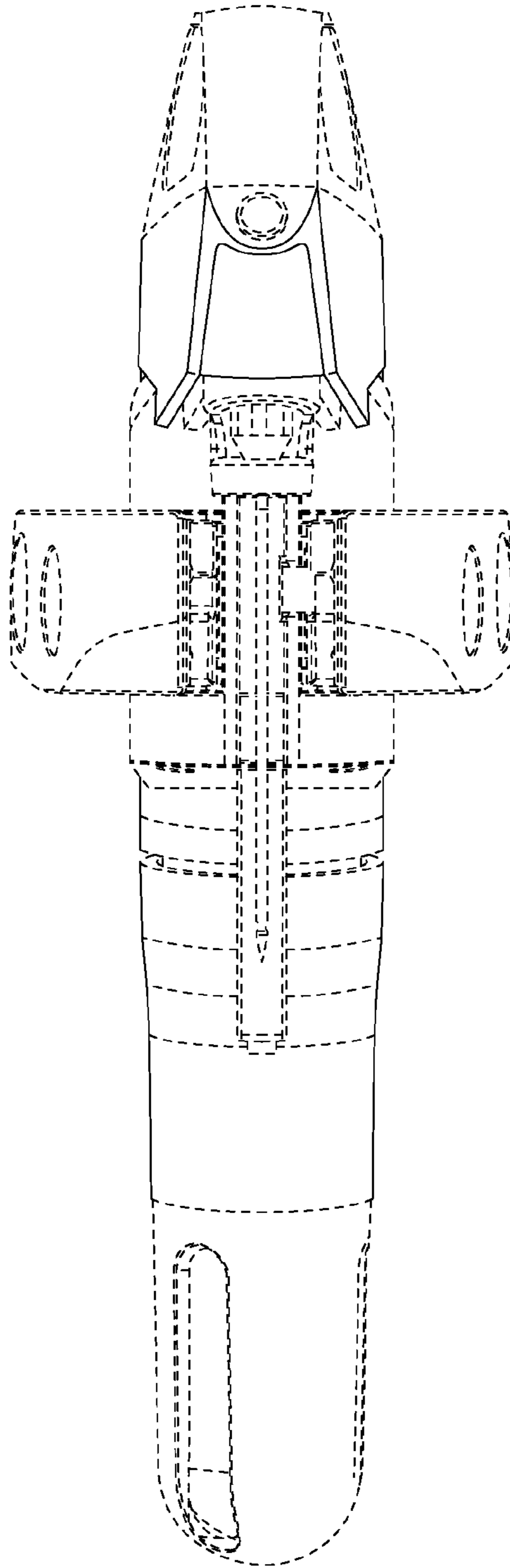


FIG. 4

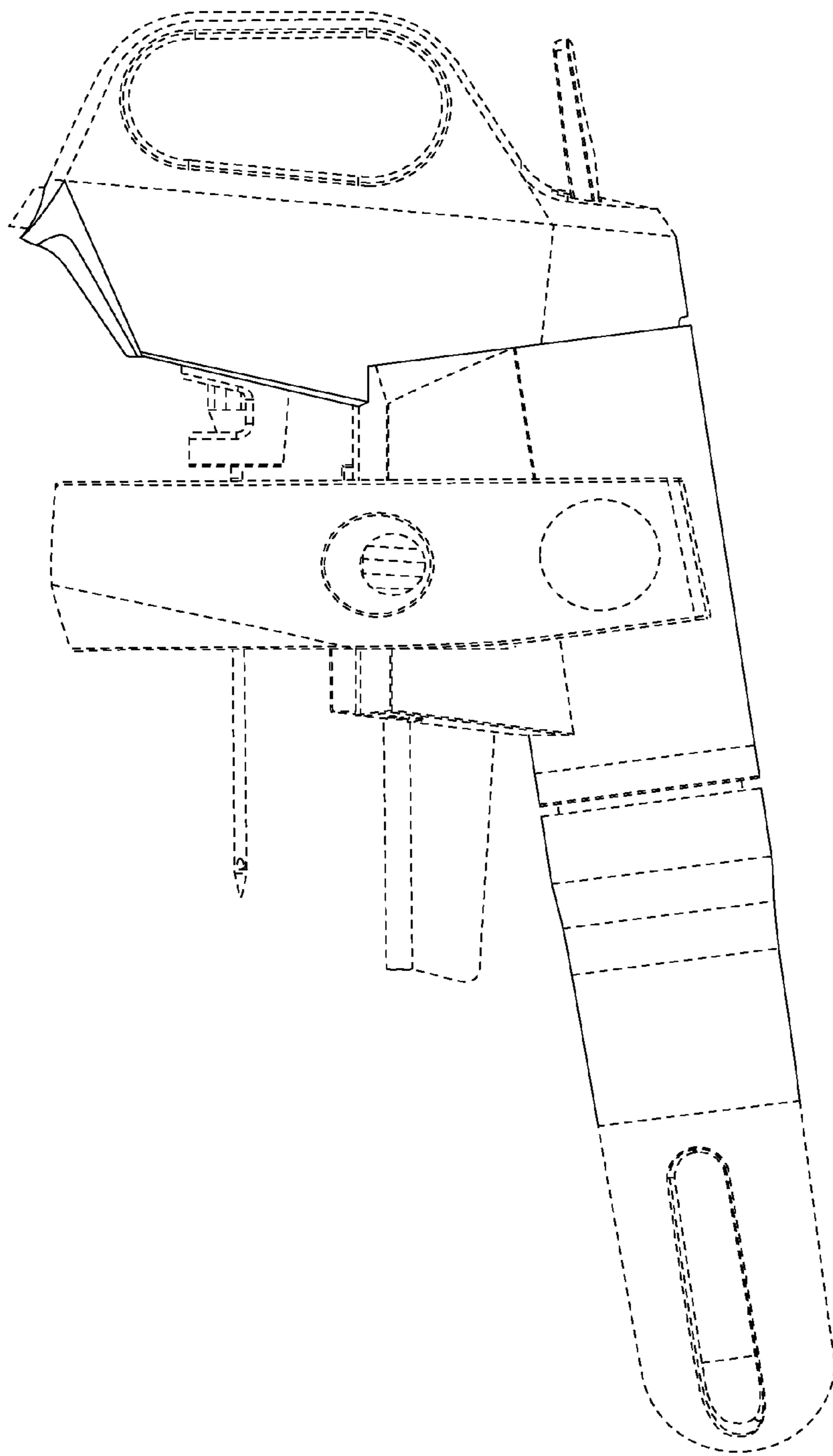


FIG. 5

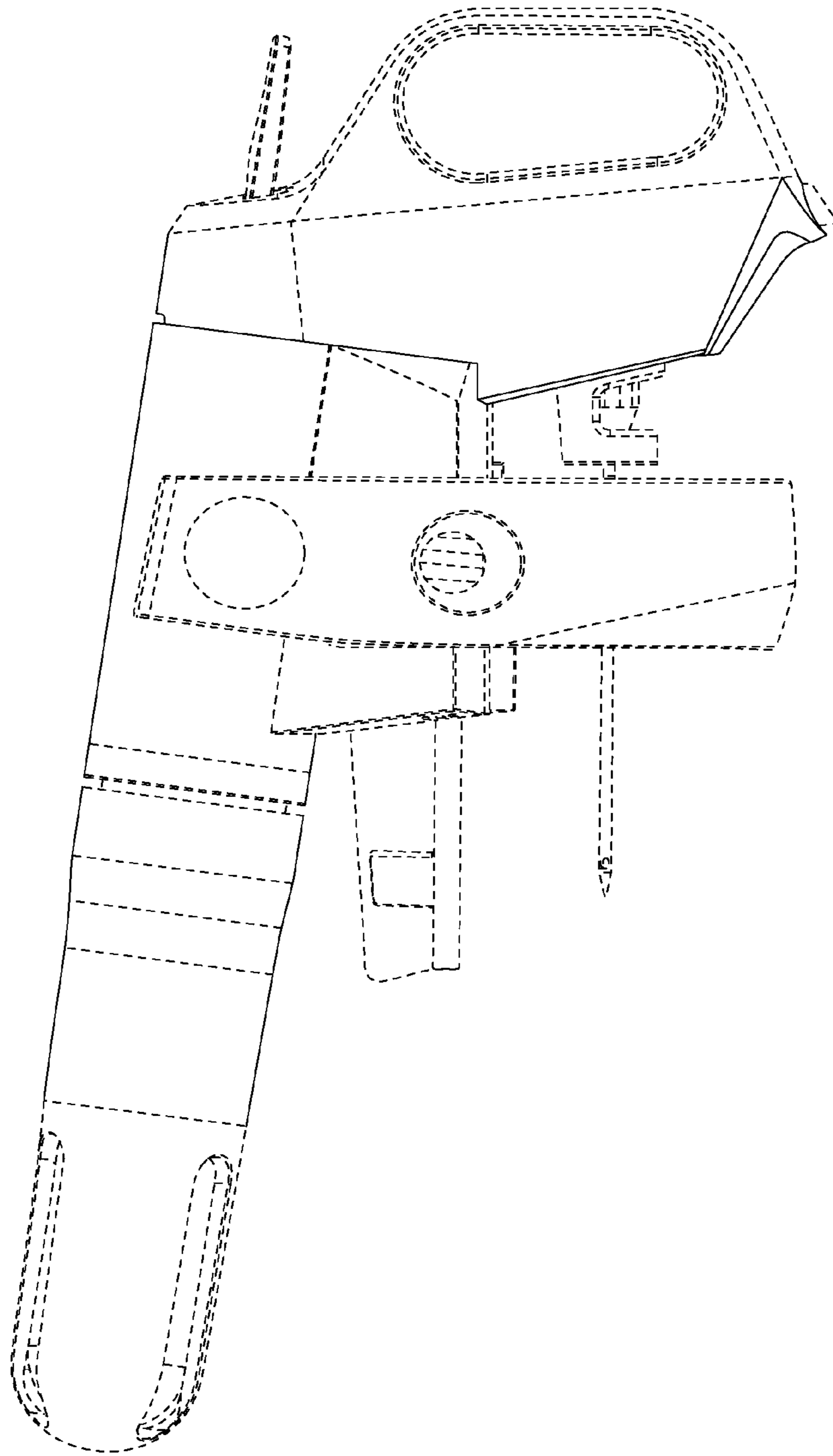


FIG. 6

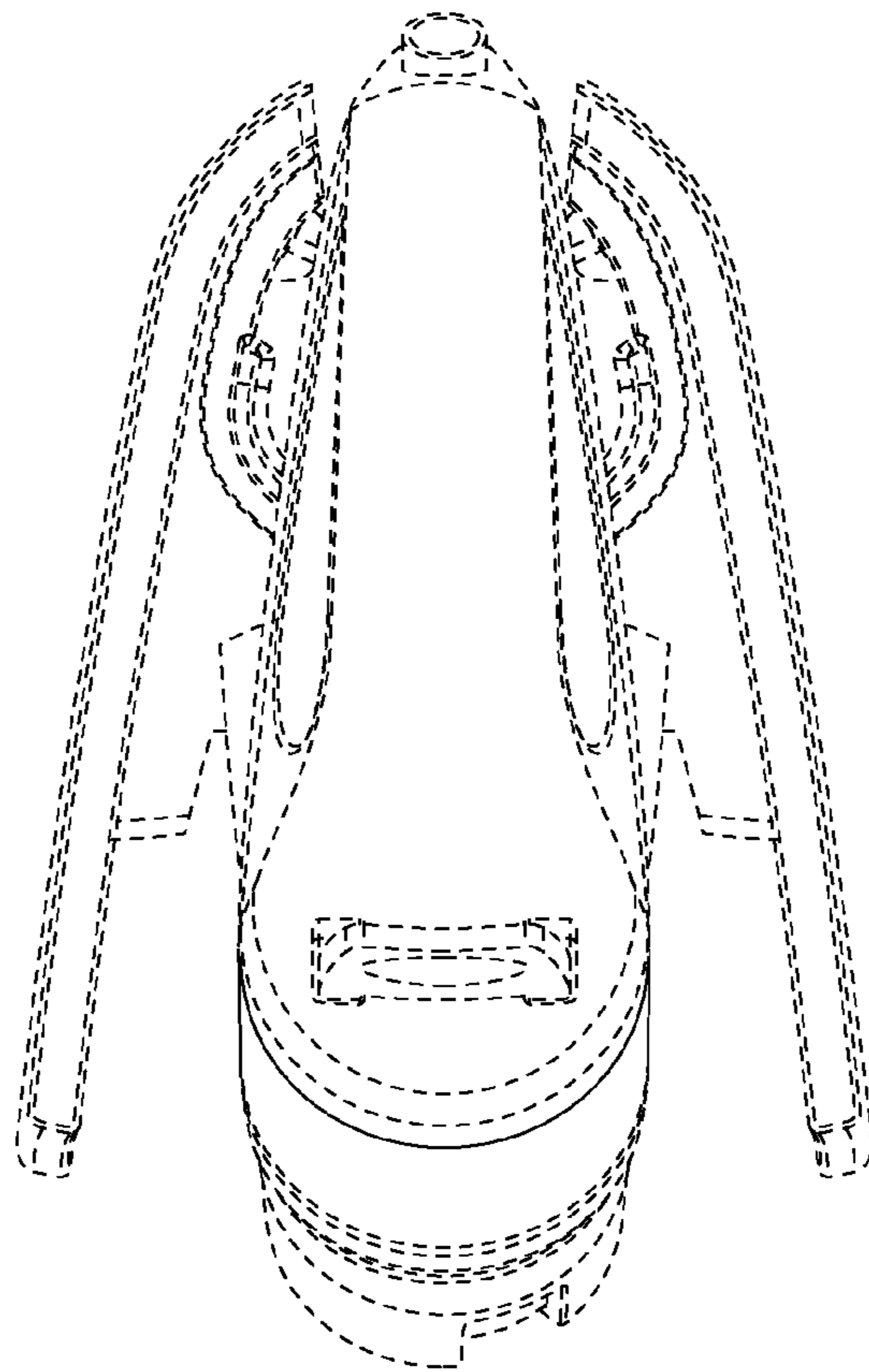


FIG. 7

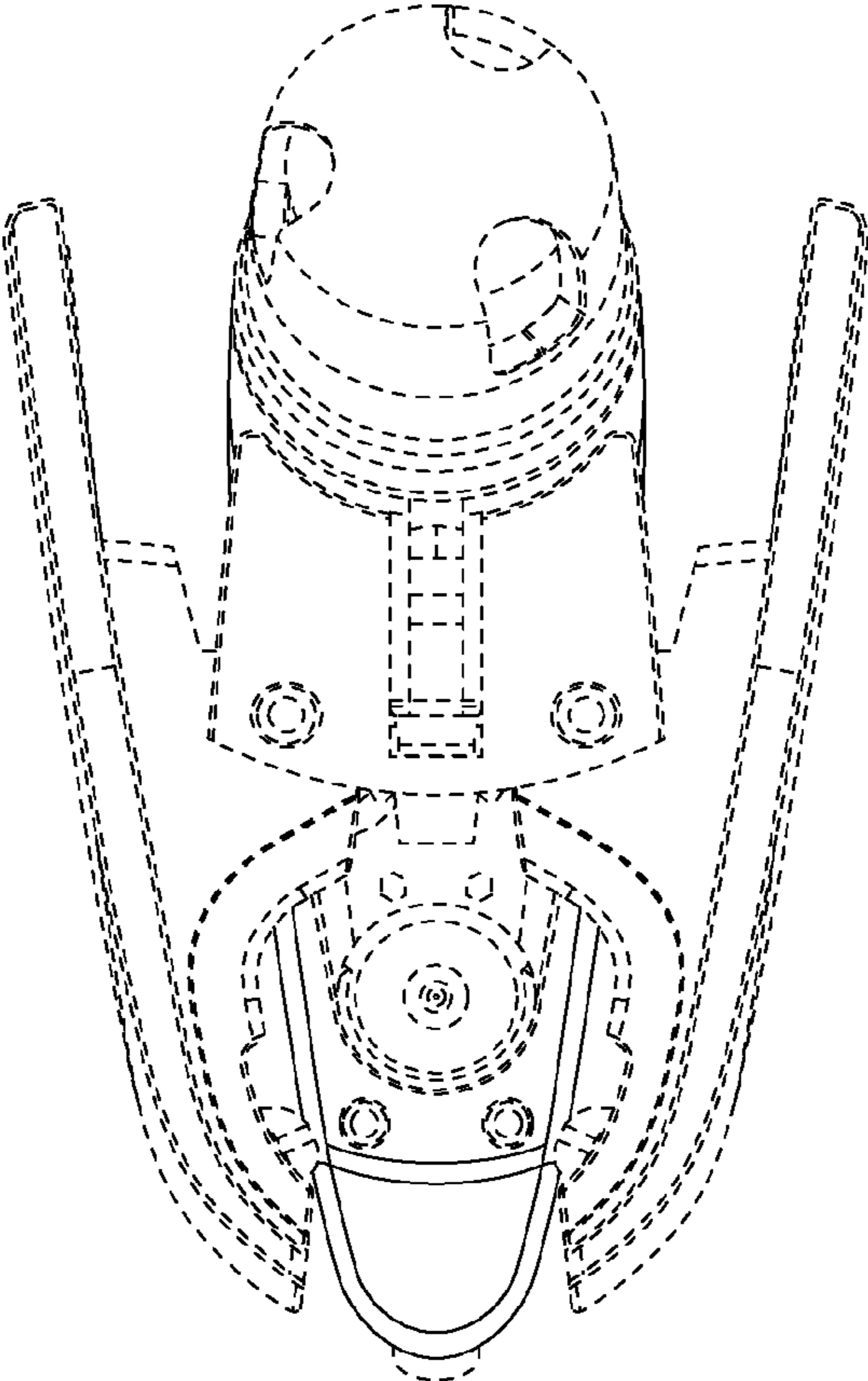


FIG. 8