



US00D689350S

(12) **United States Design Patent**
Sudmalis

(10) **Patent No.:** **US D689,350 S**

(45) **Date of Patent:** **** Sep. 10, 2013**

(54) **CUTTING BOARD**

(71) Applicant: **Columbia Insurance Company,**
Omaha, NE (US)

(72) Inventor: **Roland Sudmalis,** Park Ridge, IL (US)

(73) Assignee: **Columbia Insurance Company,**
Omaha, NE (US)

(**) Term: **14 Years**

(21) Appl. No.: **29/444,782**

(22) Filed: **Feb. 4, 2013**

D271,339 S *	11/1983	Lee	D32/55
4,653,737 A	3/1987	Haskins et al.	
D297,393 S *	8/1988	Picozza et al.	D7/359
4,840,361 A	6/1989	Richter	
4,930,759 A	6/1990	Potter et al.	
5,016,298 A	5/1991	Ris et al.	
D317,849 S *	7/1991	Adams	D7/698
D363,196 S	10/1995	Kristiansen	
D363,410 S *	10/1995	Hazen	D7/359
5,527,022 A	6/1996	Gibson	
D373,054 S	8/1996	Joergensen	
D382,445 S	8/1997	Indekeu	
D382,776 S *	8/1997	McLeod	D7/698
D390,072 S	2/1998	Miller	
D440,472 S	4/2001	Paschal et al.	
D467,775 S	12/2002	Cole	
D471,397 S *	3/2003	Wright	D7/359

(Continued)

Related U.S. Application Data

(62) Division of application No. 29/418,896, filed on Apr. 23, 2012, now Pat. No. Des. 678,010.

(51) **LOC (9) Cl.** **07-04**

(52) **U.S. Cl.**
USPC **D7/698**

(58) **Field of Classification Search**
USPC D7/354, 357-360, 368, 388, 392.1,
D7/396.1, 409, 412, 505, 549, 550.1, 552.1-552.2,
D7/553.1, 553.5, 553.8, 554.3-554.4, 555,
D7/586, 637, 673, 698-699; D32/55-57;
99/324, 357, 446-450; 206/315.9; 269/13-16,
269/87.2, 289 R, 302.1, 575

See application file for complete search history.

(56) **References Cited**

U.S. PATENT DOCUMENTS

1,776,961 A *	9/1930	Vielbig	269/15
2,452,445 A *	10/1948	Ericsson	269/15
3,598,164 A	8/1971	August	
D239,689 S	4/1976	Doman et al.	
D240,390 S	7/1976	Smith	
3,995,844 A	12/1976	Hellman	
D259,166 S	5/1981	Krusche	

Primary Examiner — Ricky Pham

(74) *Attorney, Agent, or Firm* — Neal, Gerber & Eisenberg
LLP

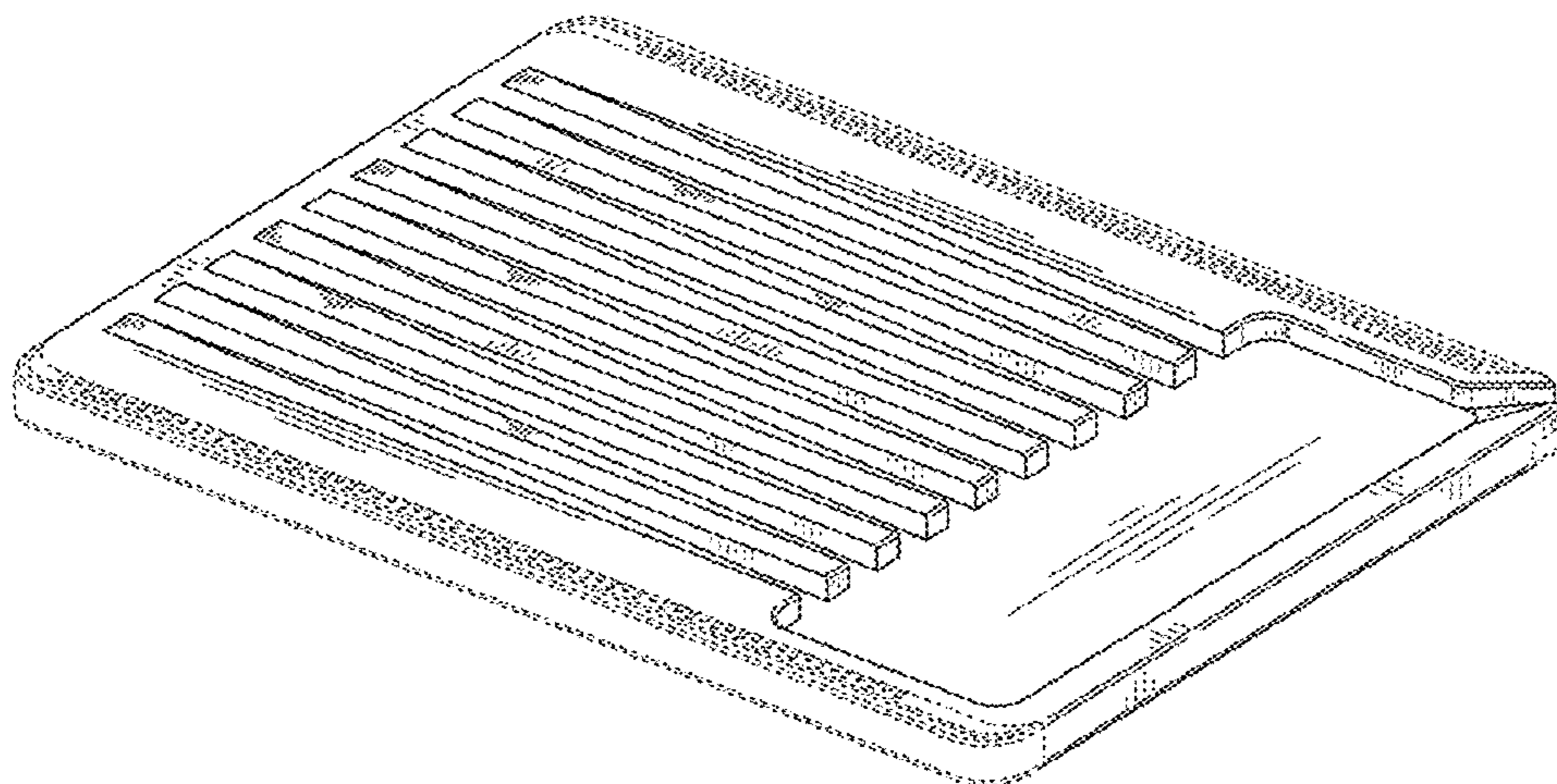
(57) **CLAIM**

The ornamental design for a cutting board, as shown and described.

DESCRIPTION

FIG. 1 is a perspective view of a cutting board according to the present invention;
 FIG. 2 is a first side elevational view thereof;
 FIG. 3 is a second side elevational view thereof, opposite from the first side shown in FIG. 2;
 FIG. 4 is a third side elevational view thereof;
 FIG. 5 is a fourth side elevational view thereof, opposite from the third side shown in FIG. 4;
 FIG. 6 is a top plan view thereof; and,
 FIG. 7 is a bottom plan view thereof.
 The broken lines in the drawings illustrate the portions of the design that form no part of the claim.

1 Claim, 3 Drawing Sheets



(56)

References Cited

U.S. PATENT DOCUMENTS

D473,098 S * 4/2003 Wingeier D7/359
6,648,138 B1 * 11/2003 Kelly 206/315.9
6,745,702 B2 6/2004 Goldberg et al.

D611,762 S * 3/2010 Liu et al. D7/409
D640,513 S 6/2011 Cornu
D653,075 S * 1/2012 Lupkes D7/359
D678,010 S * 3/2013 Sudmalis D7/698
2002/0185801 A1 12/2002 Cautereels et al.

* cited by examiner

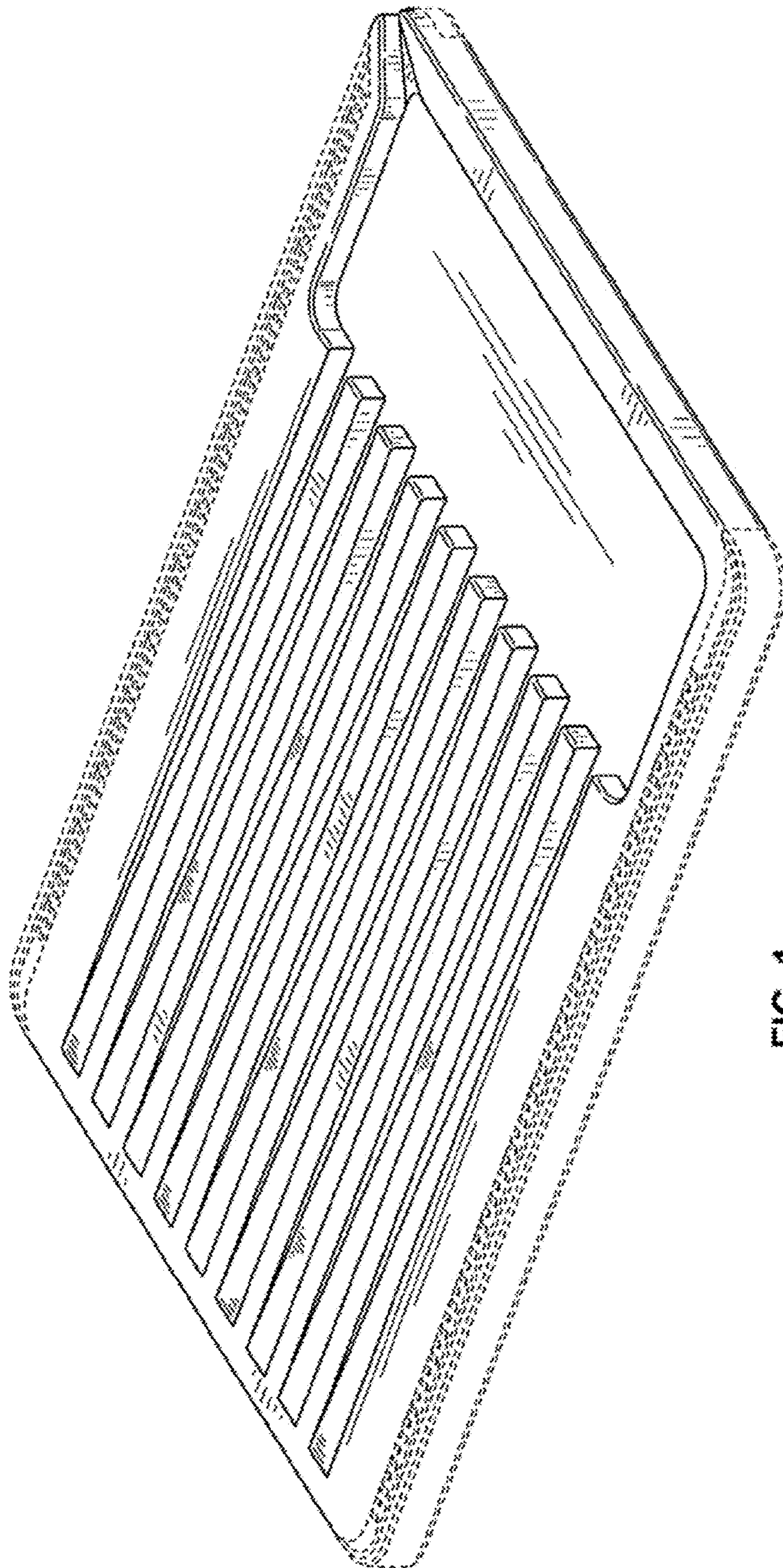


FIG. 1

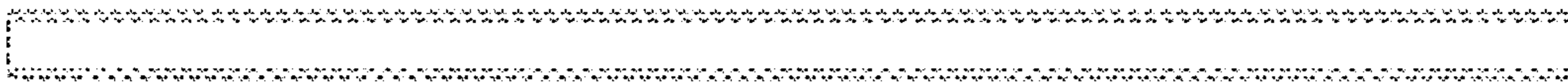


FIG. 2

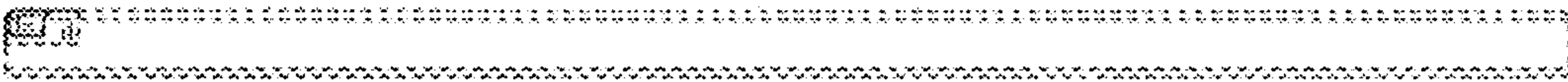


FIG. 3



FIG. 4

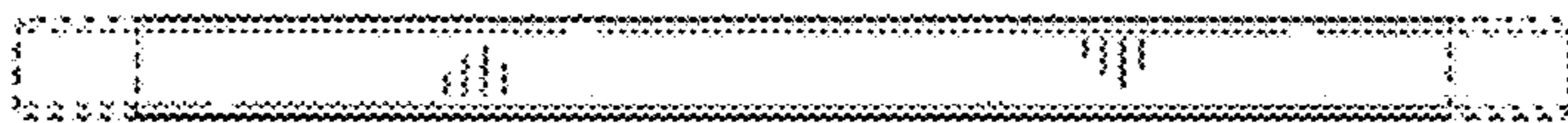


FIG. 5

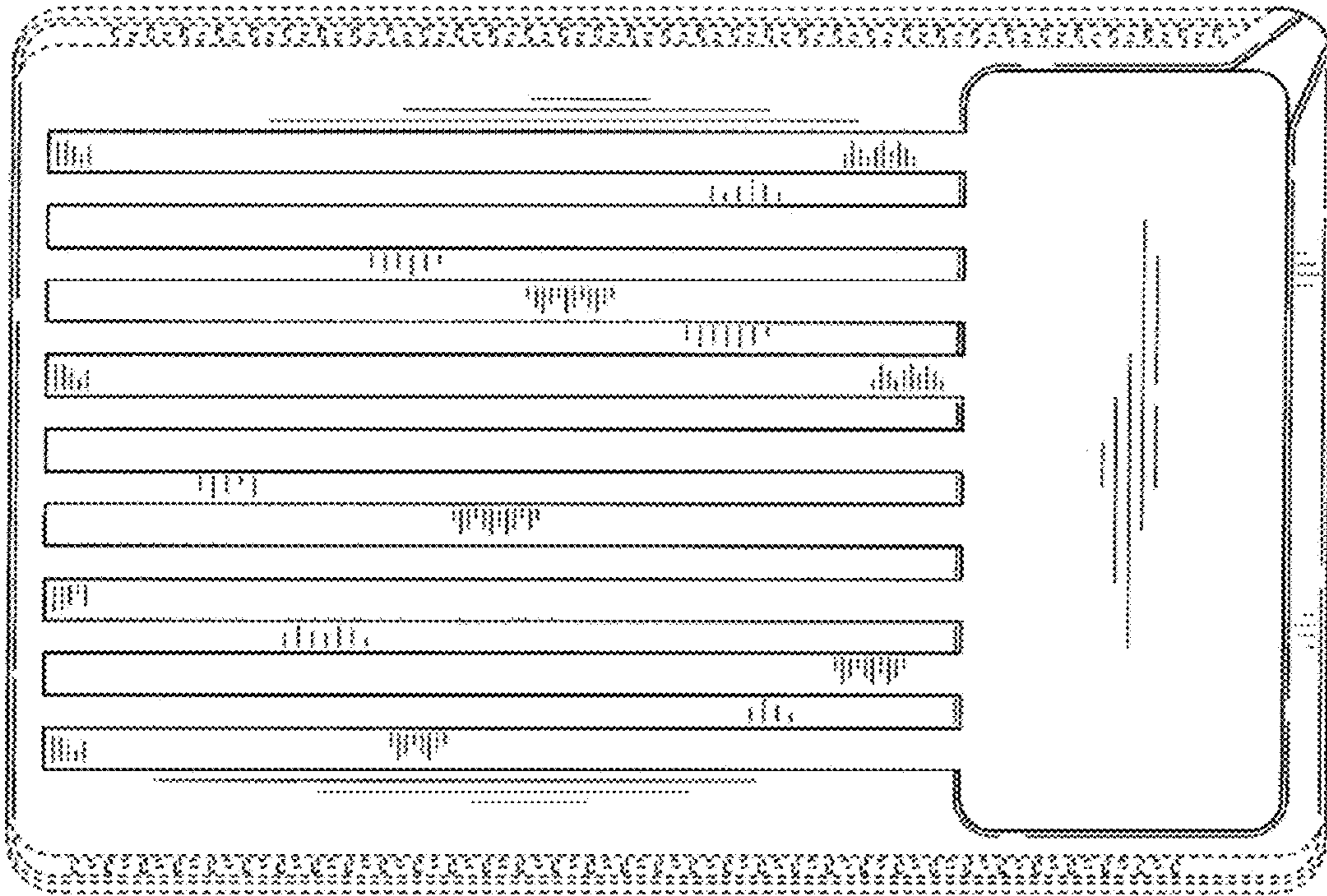


FIG. 6

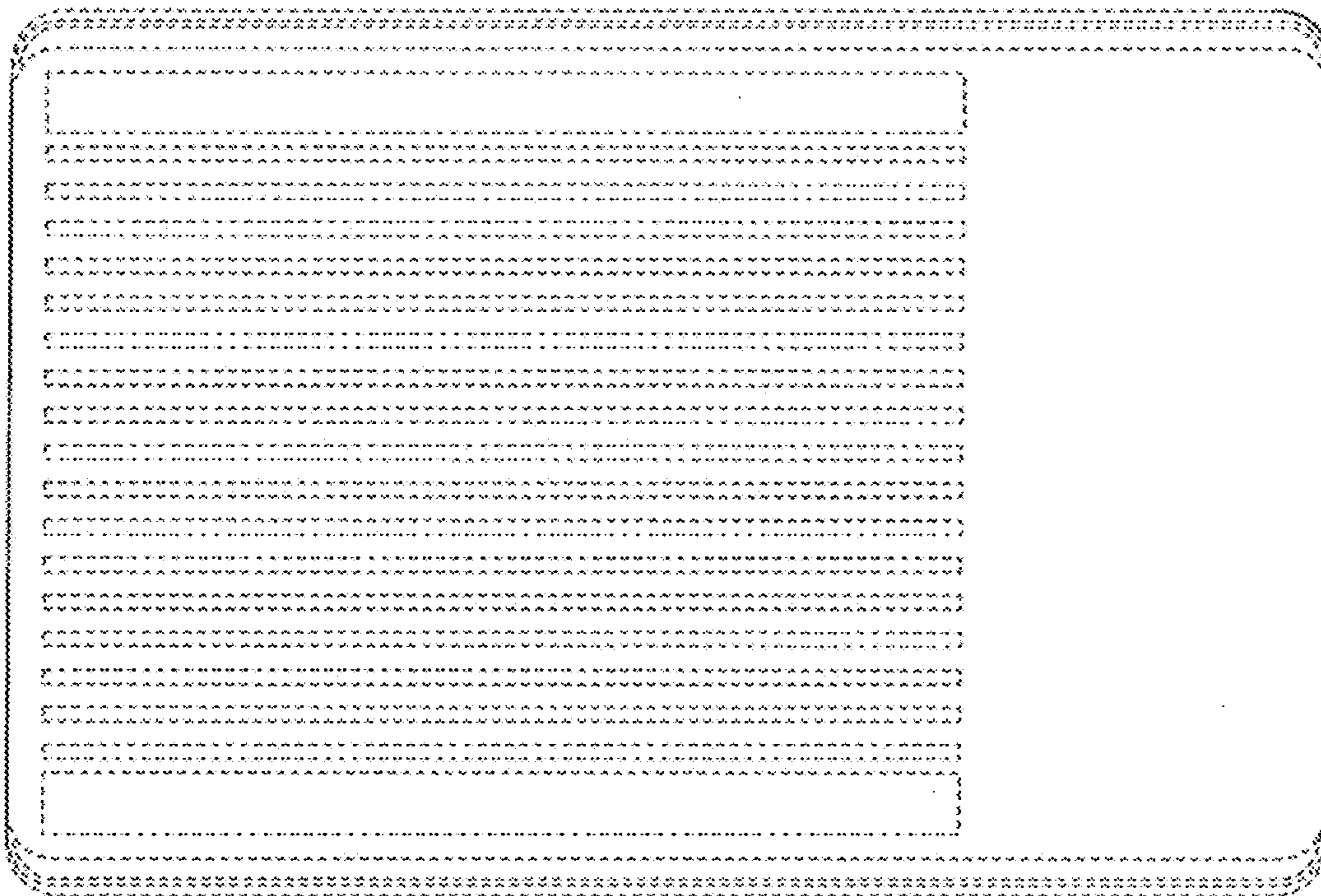


FIG. 7