



US00D689347S

(12) **United States Design Patent**
Hainbach

(10) **Patent No.:** **US D689,347 S**

(45) **Date of Patent:** **** Sep. 10, 2013**

(54) **COMBINATION HERB STORAGE, GRINDER AND POURING CONTAINER**

(71) Applicant: **Mark Hainbach**, Thousand Oaks, CA (US)

(72) Inventor: **Mark Hainbach**, Thousand Oaks, CA (US)

(**) Term: **14 Years**

(21) Appl. No.: **29/435,592**

(22) Filed: **Oct. 25, 2012**

(51) **LOC (9) Cl.** **07-06**

(52) **U.S. Cl.**
USPC **D7/693**

(58) **Field of Classification Search**
USPC D7/679, 693; 99/574, 582, 509-513;
241/168, 169, 169.1, 112, 199, 199.12, 272,
241/285.2, 93, 95, 101.3; 30/302, 303, 315,
30/316, 263, 301; 7/113

See application file for complete search history.

(56) **References Cited**

U.S. PATENT DOCUMENTS

2,602,596	A *	7/1952	Jones et al.	241/169.1
5,071,663	A *	12/1991	Dugan	426/112
5,865,384	A *	2/1999	Pai	241/93
D558,528	S *	1/2008	Hauser	D7/601
7,422,170	B2 *	9/2008	Bao	241/168
D634,989	S	3/2011	Griffin et al.		
D635,413	S *	4/2011	Griffin et al.	D7/693
8,220,732	B2	7/2012	Griffin et al.		
2007/0262182	A1 *	11/2007	de Groote et al.	241/169.1

* cited by examiner

Primary Examiner — Terry Wallace

(74) *Attorney, Agent, or Firm* — Kelly & Kelley, LLP

(57) **CLAIM**

The ornamental design for a combination herb storage, grinder and pouring container, as shown and described.

DESCRIPTION

FIG. 1 is a front and top perspective view of a combination herb storage, grinder and pouring container embodying my new design;

FIG. 2 is an exploded side perspective view of a cap, storage receptacle, and cup of the container of FIG. 1;

FIG. 3 is a left side elevational view of the container of FIG. 1;

FIG. 4 is a right elevational side view of the container of FIG. 1;

FIG. 5 is a top plan view of the container of FIG. 1;

FIG. 6 is a bottom plan view of the container of FIG. 1;

FIG. 7 is a left side elevational view of the cap of the container;

FIG. 8 is a right side elevational view of the cap of the container;

FIG. 9 is a top plan view of the cap of the container;

FIG. 10 is a bottom plan view of the cap of the container;

FIG. 11 is a left side elevational view of the cup of the container;

FIG. 12 is a right side elevational view of the cup of the container;

FIG. 13 is a top plan view of the cup of the container;

FIG. 14 is a bottom plan view of the cup of the container;

FIG. 15 is a left side elevational view of the storage receptacle of the container;

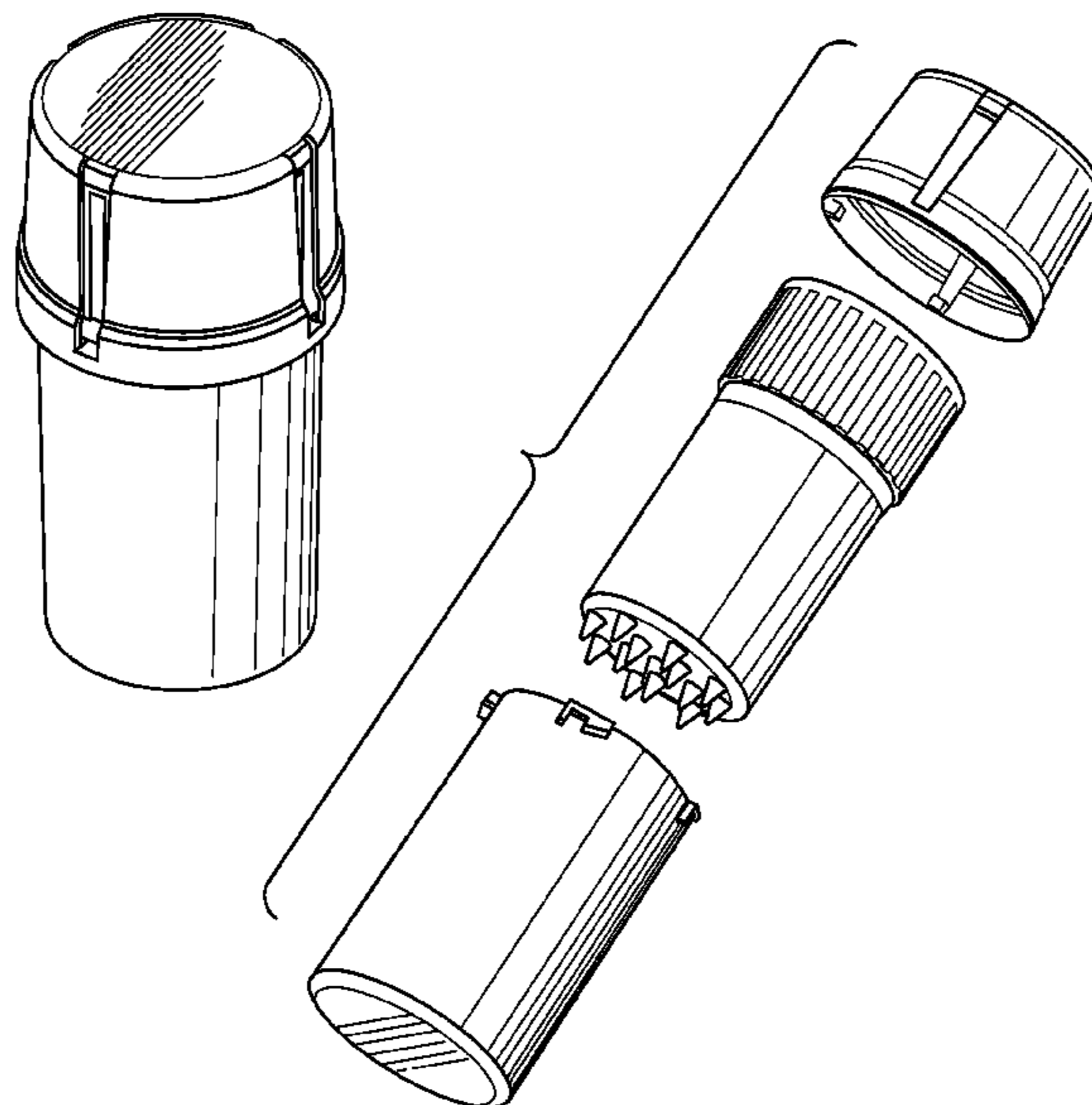
FIG. 16 is a right side elevational view of the storage receptacle of the container;

FIG. 17 is a top plan view of the storage receptacle of the container; and,

FIG. 18 is a bottom plan view of the storage receptacle of the container.

The broken lines are for illustrative purposes only and form no part of the claimed design.

1 Claim, 5 Drawing Sheets



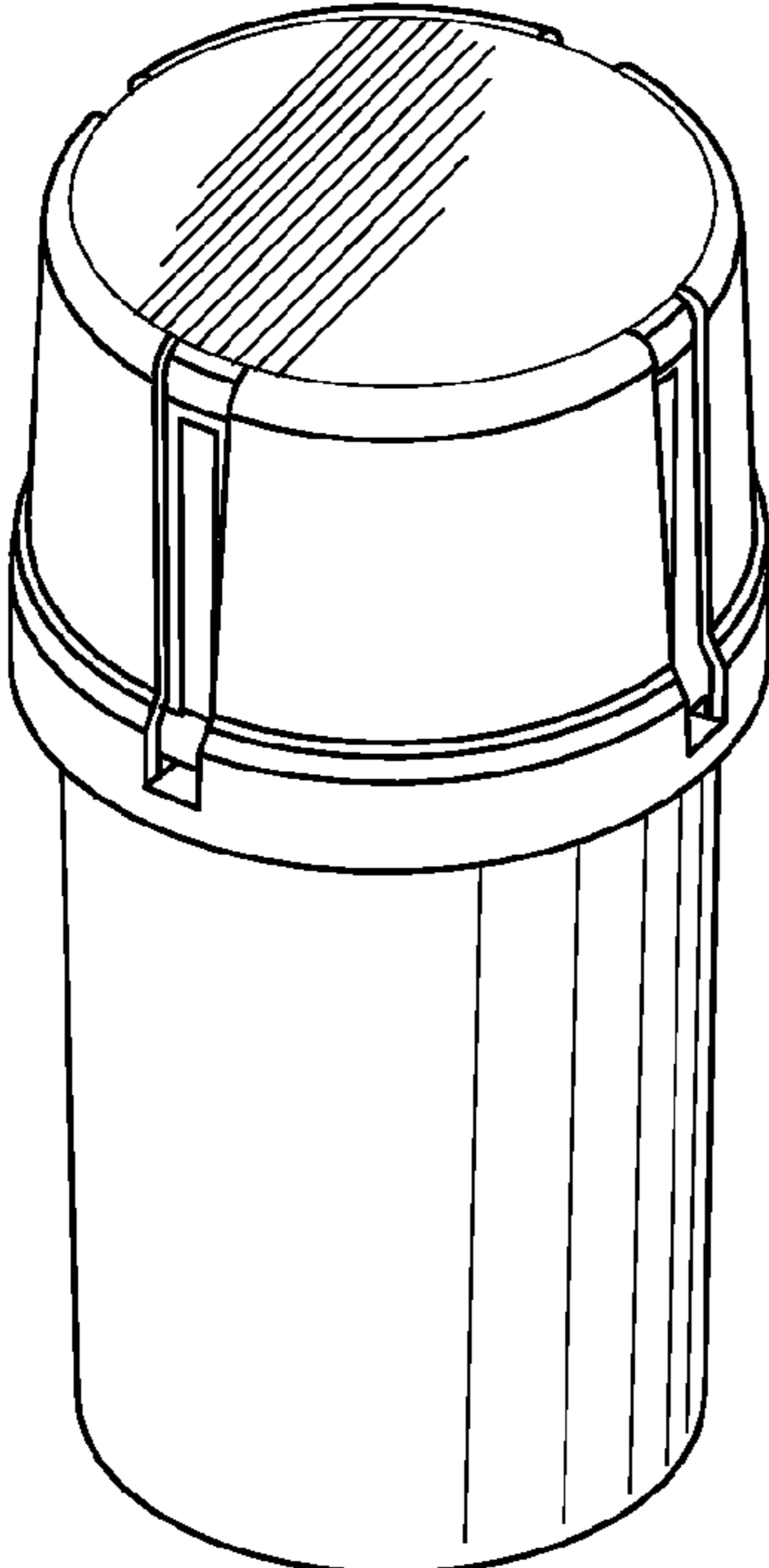


FIG. 1

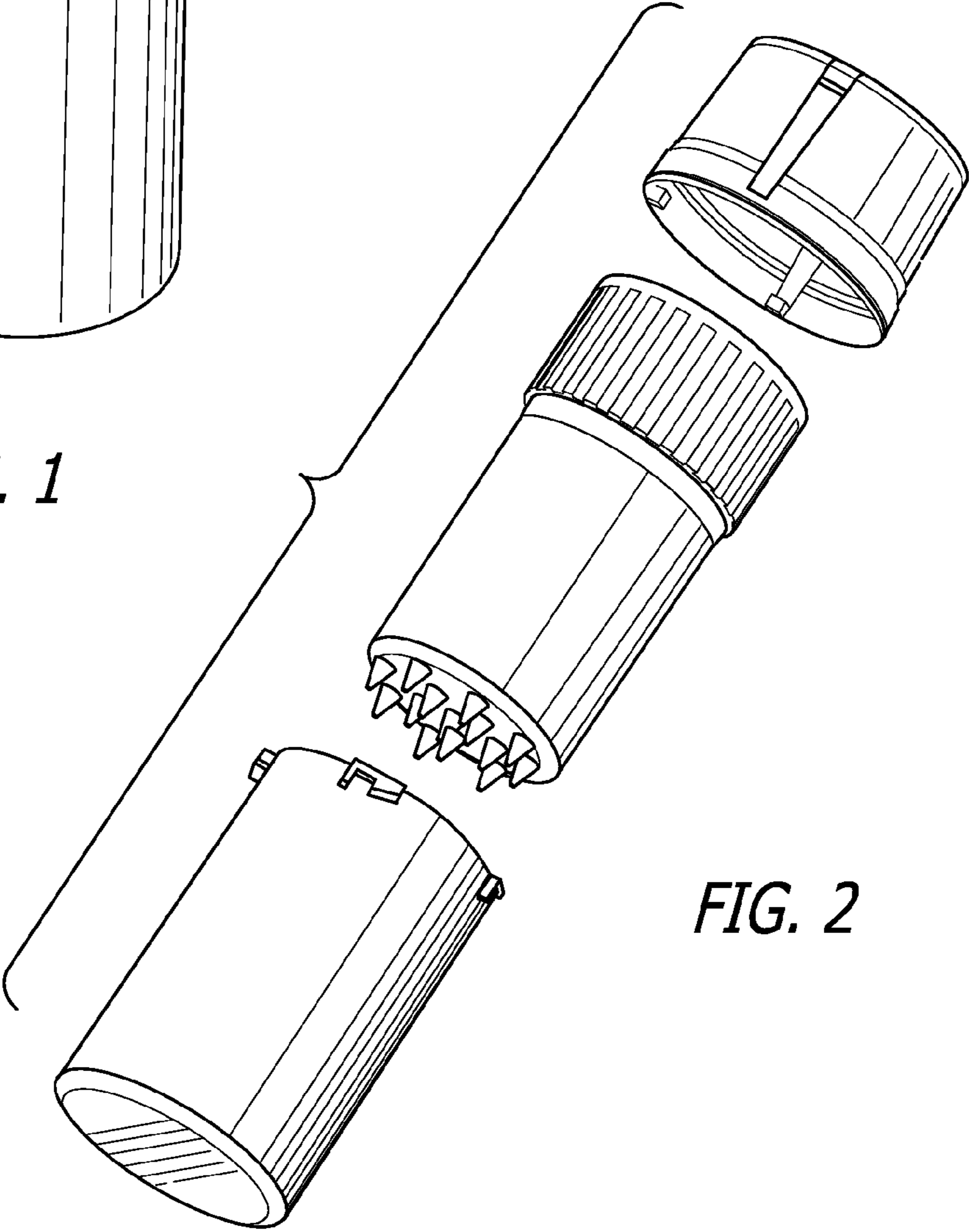


FIG. 2

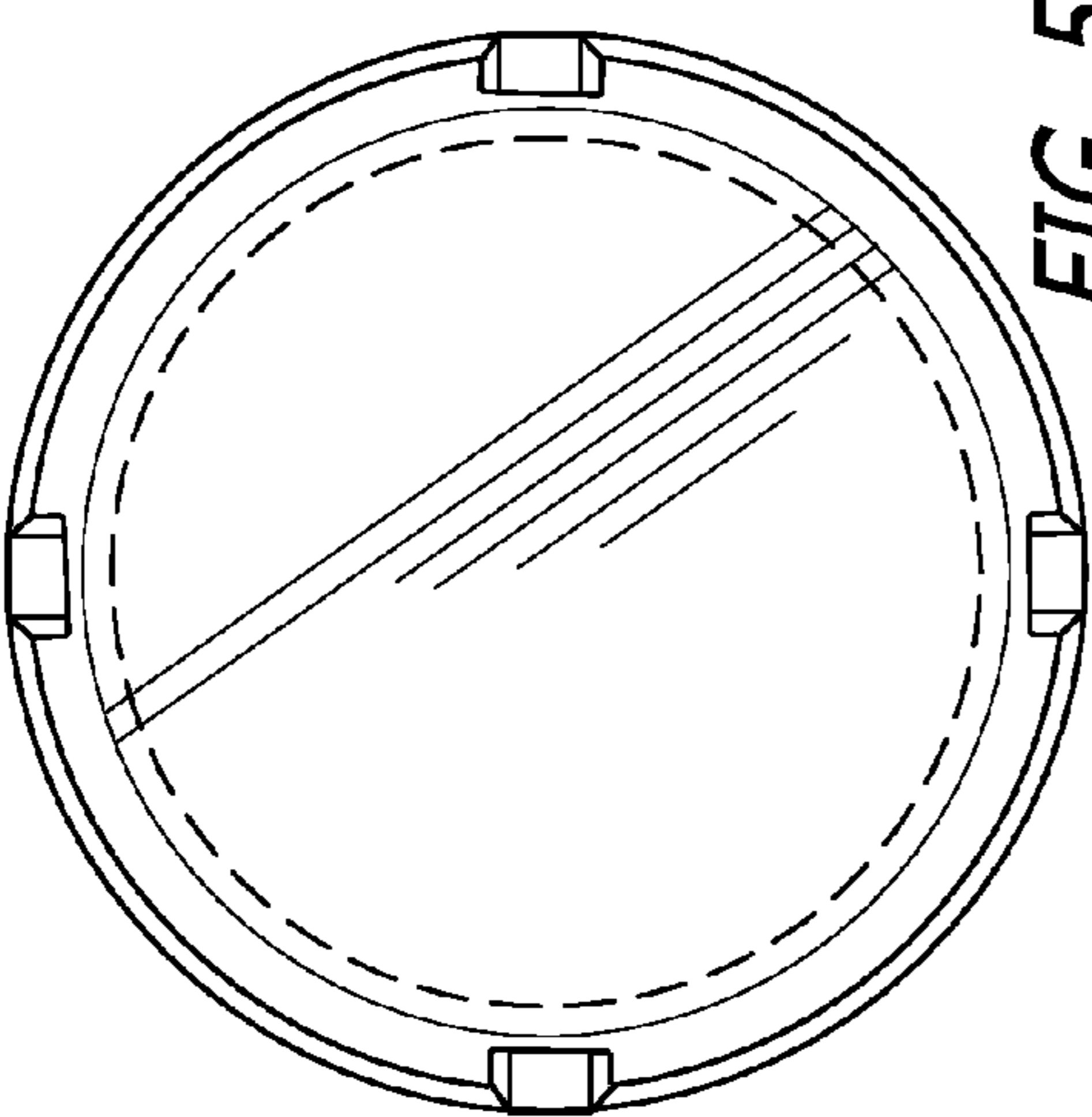


FIG. 5

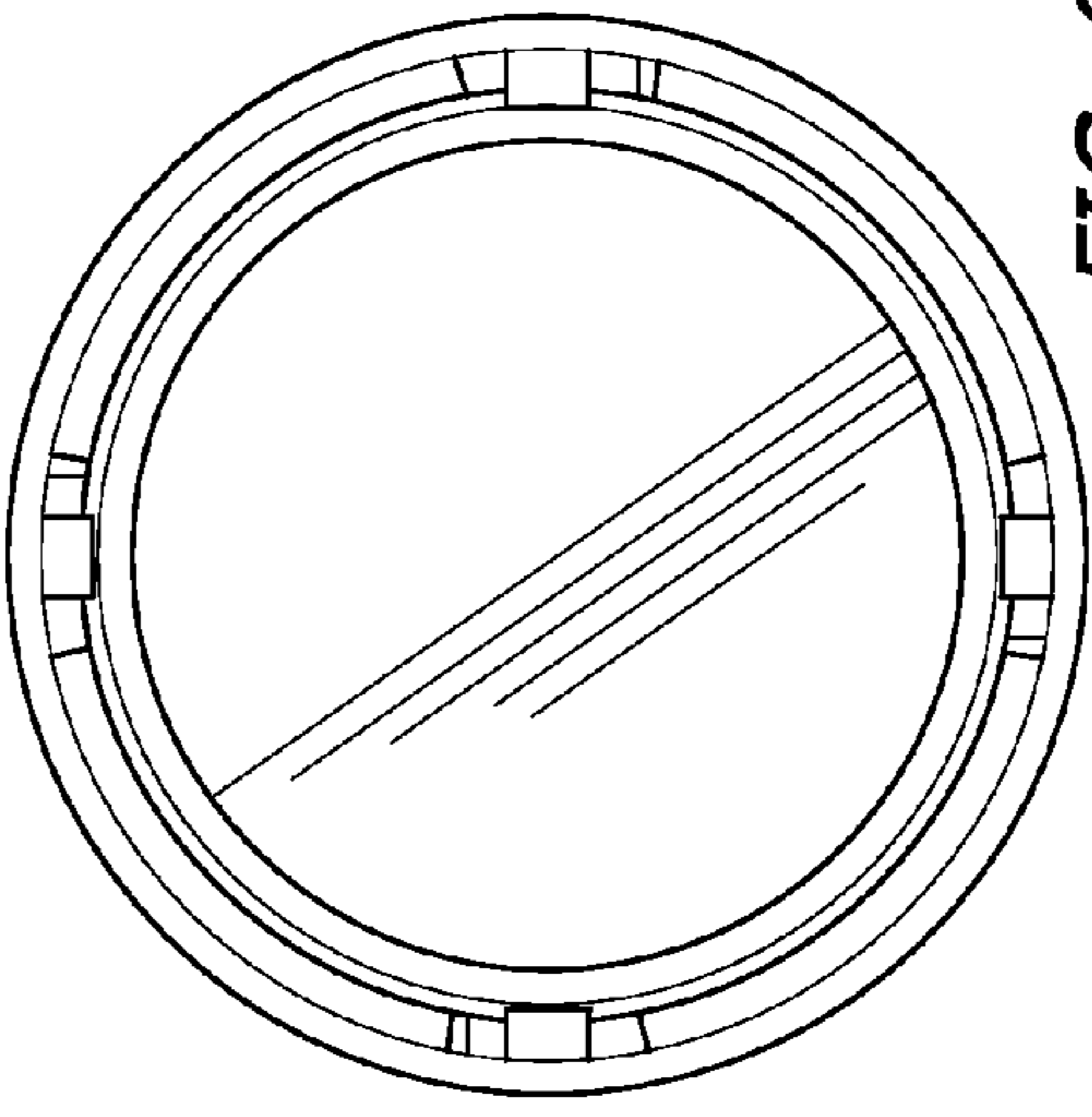


FIG. 6

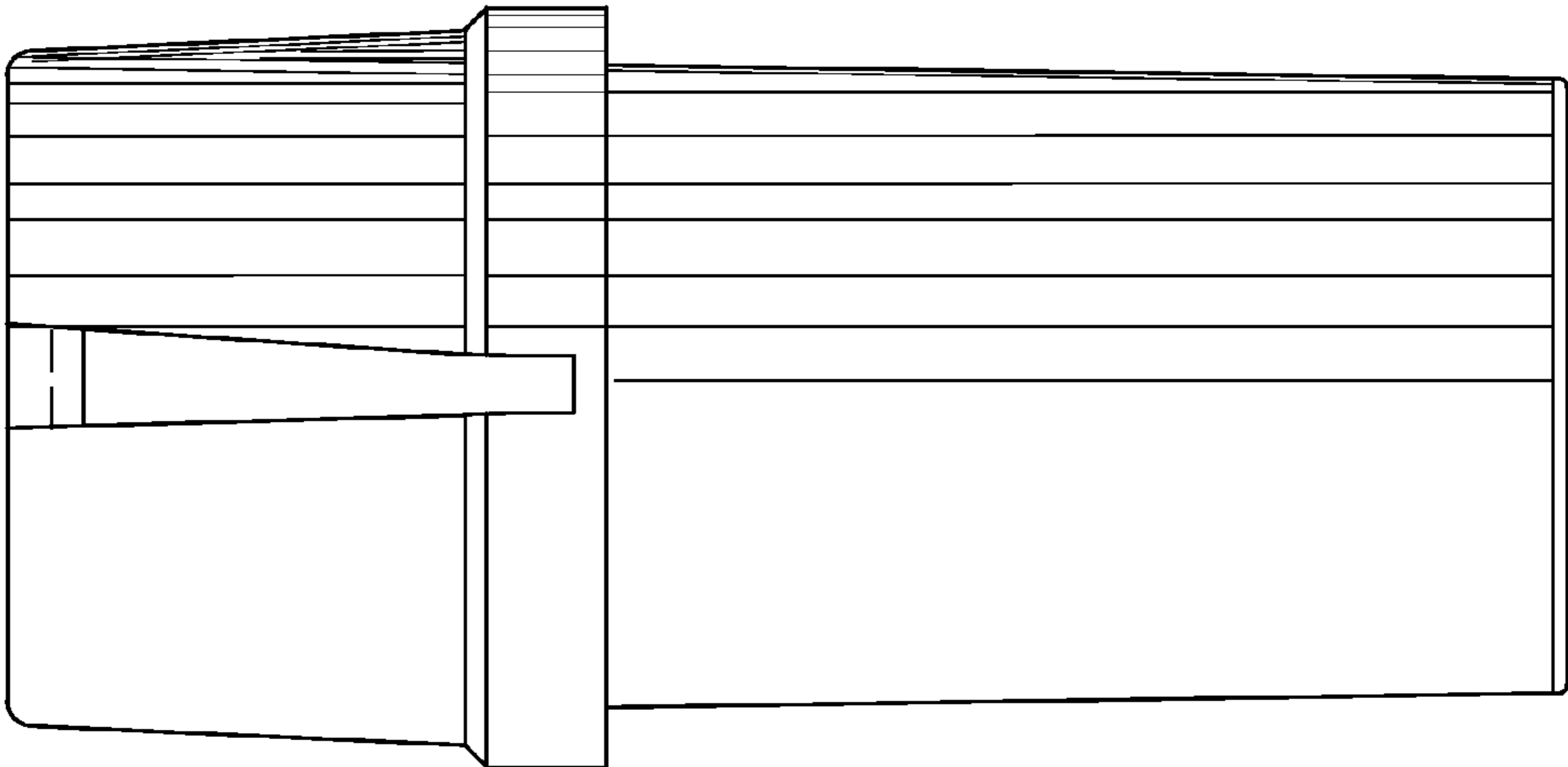


FIG. 4

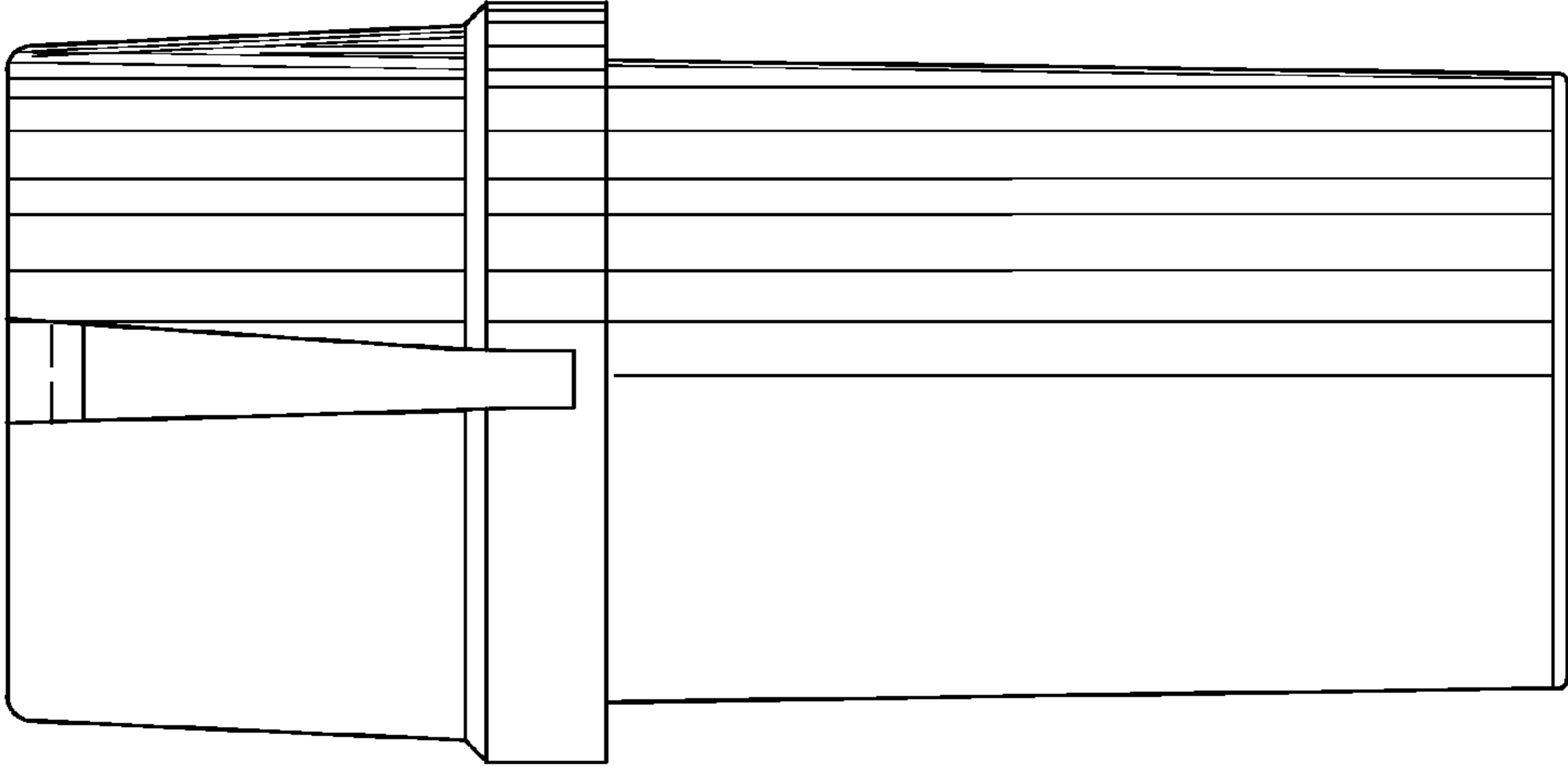


FIG. 3

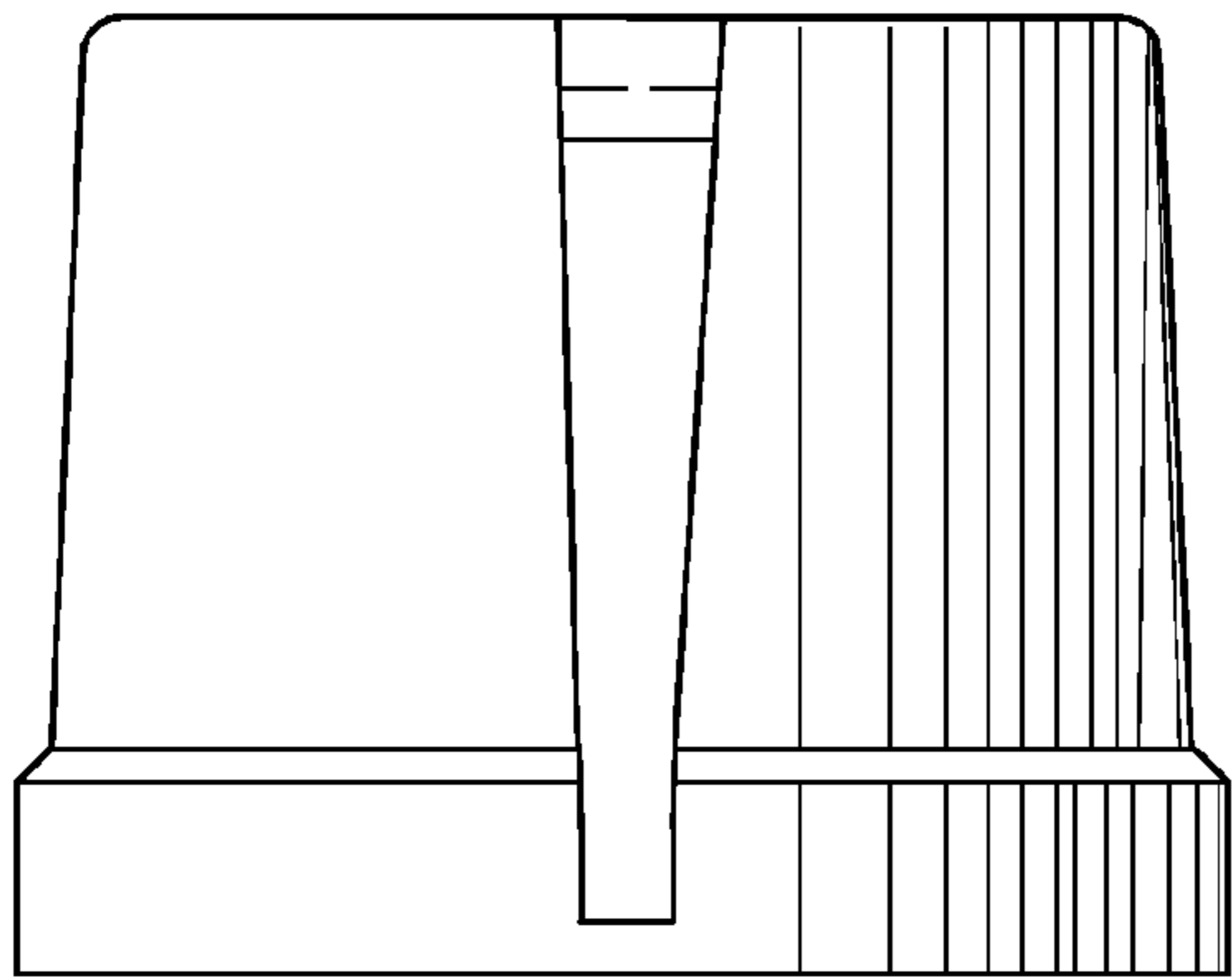


FIG. 7

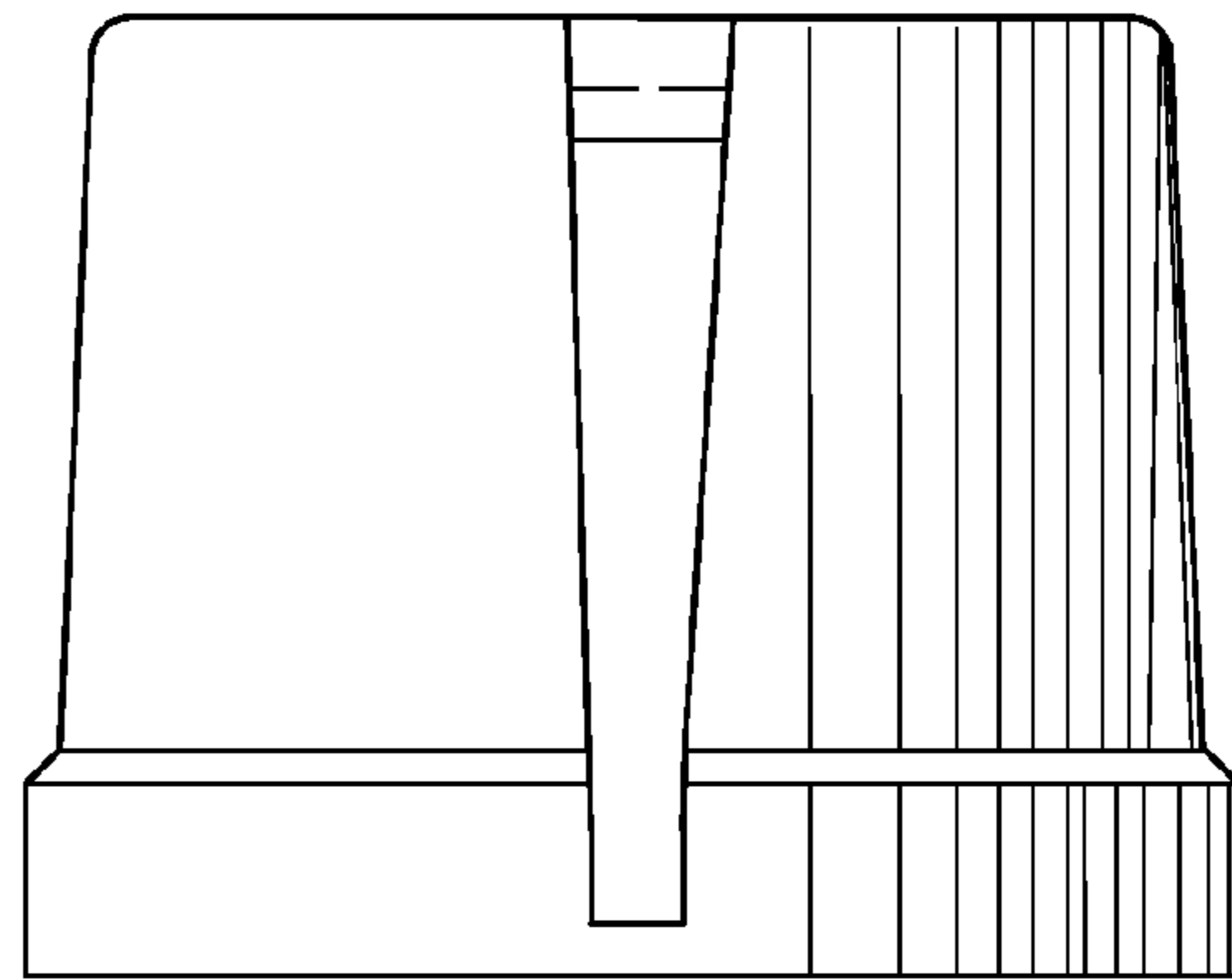


FIG. 8

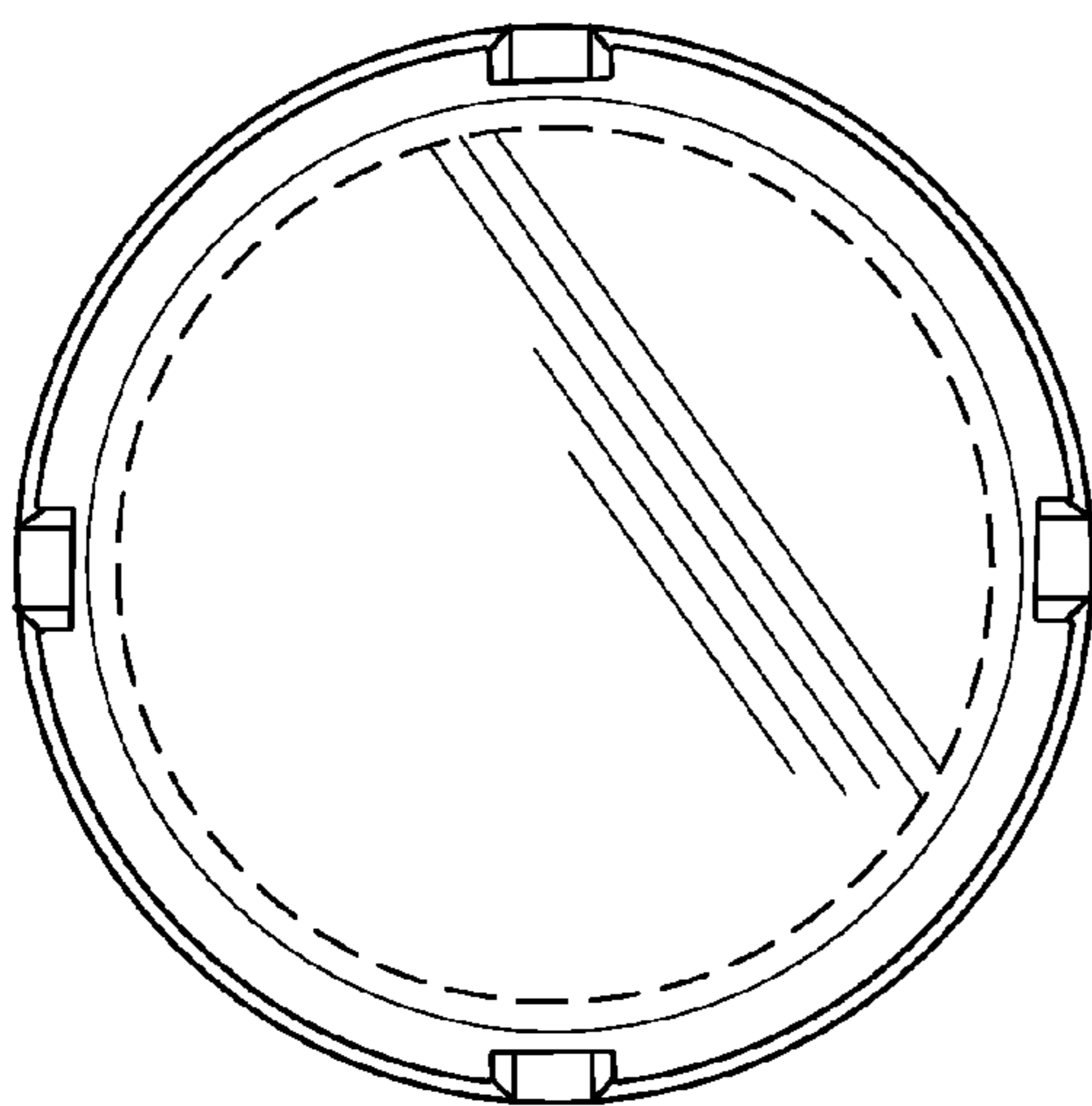


FIG. 9

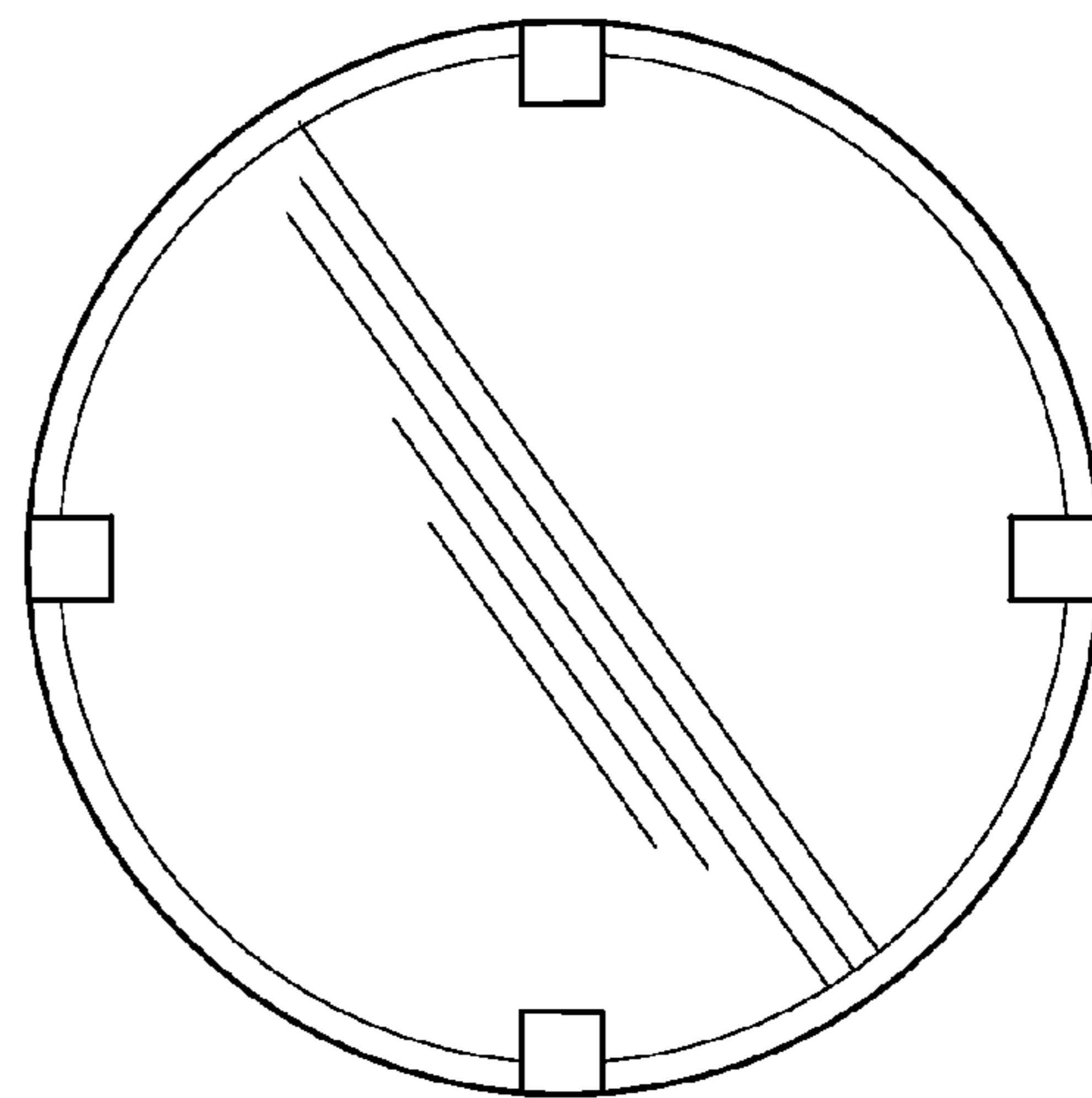


FIG. 10

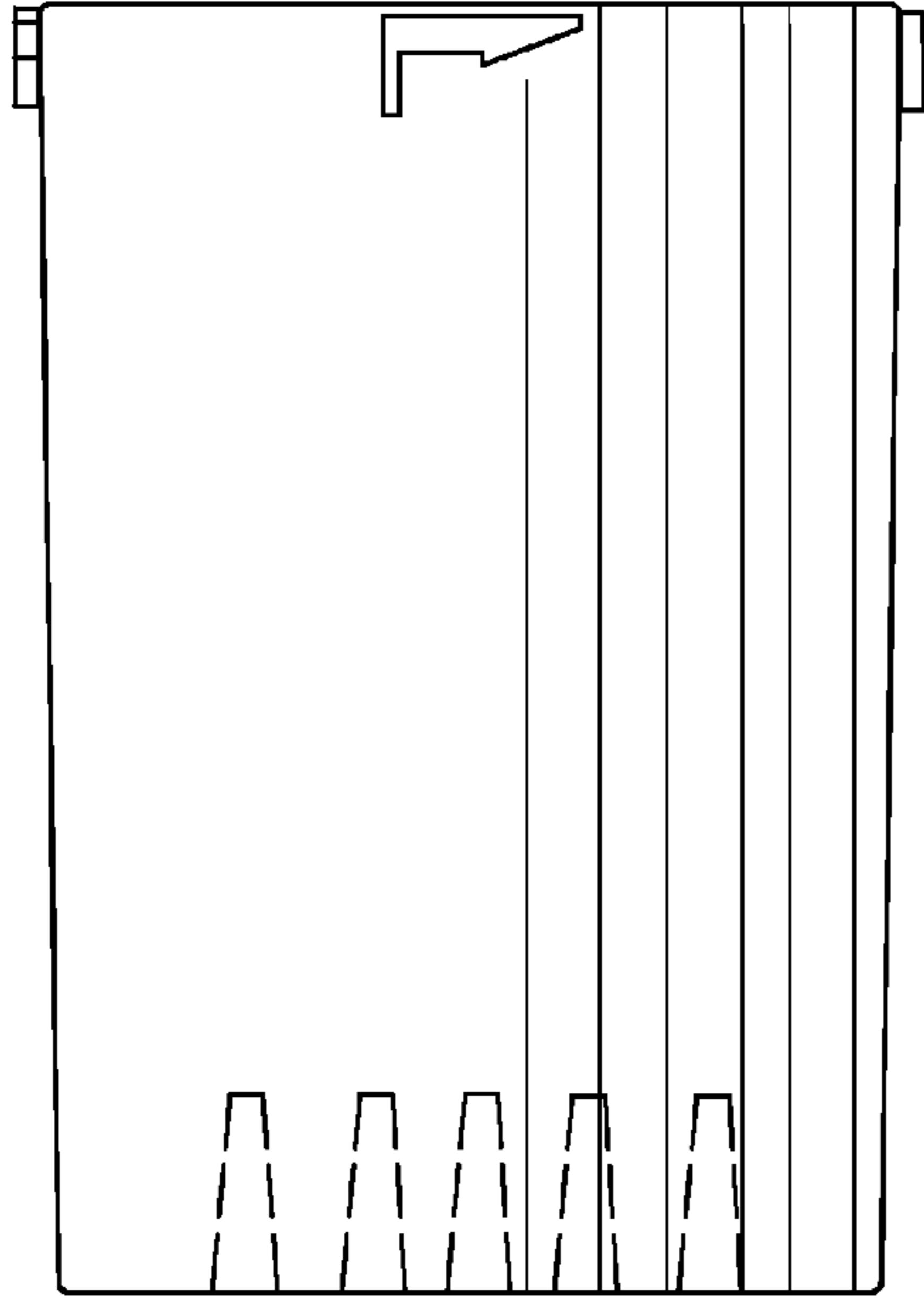


FIG. 11

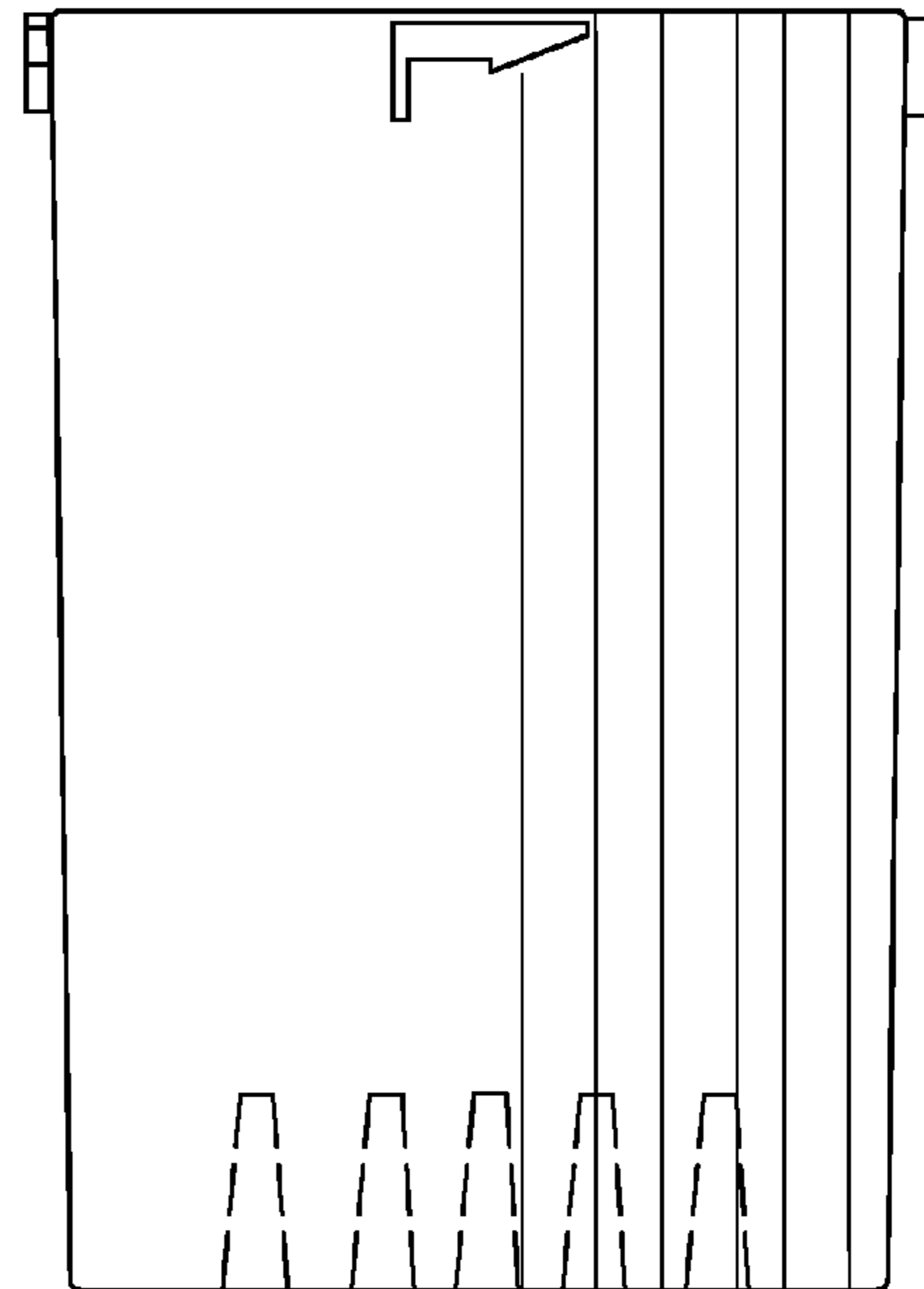


FIG. 12

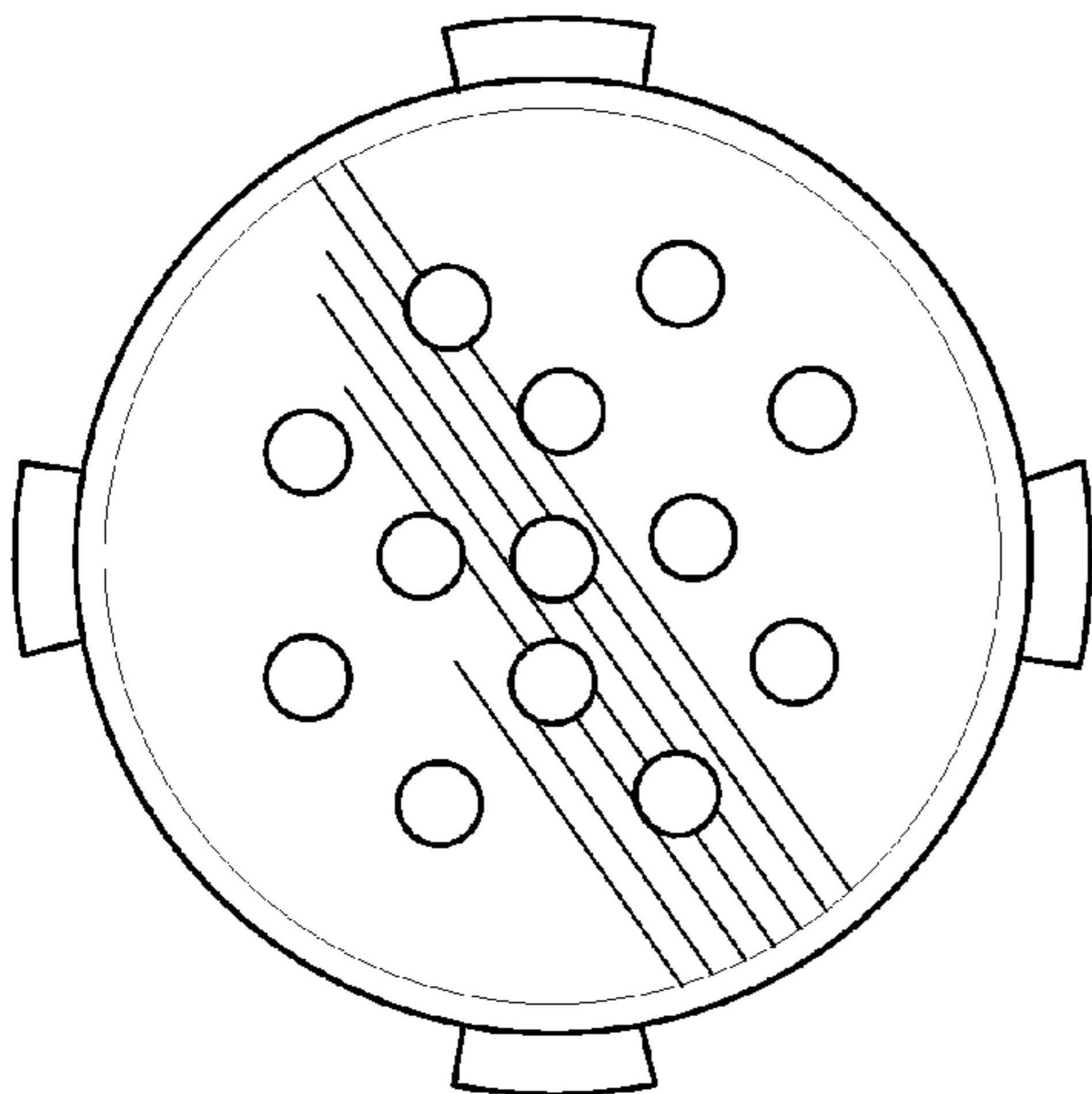


FIG. 13

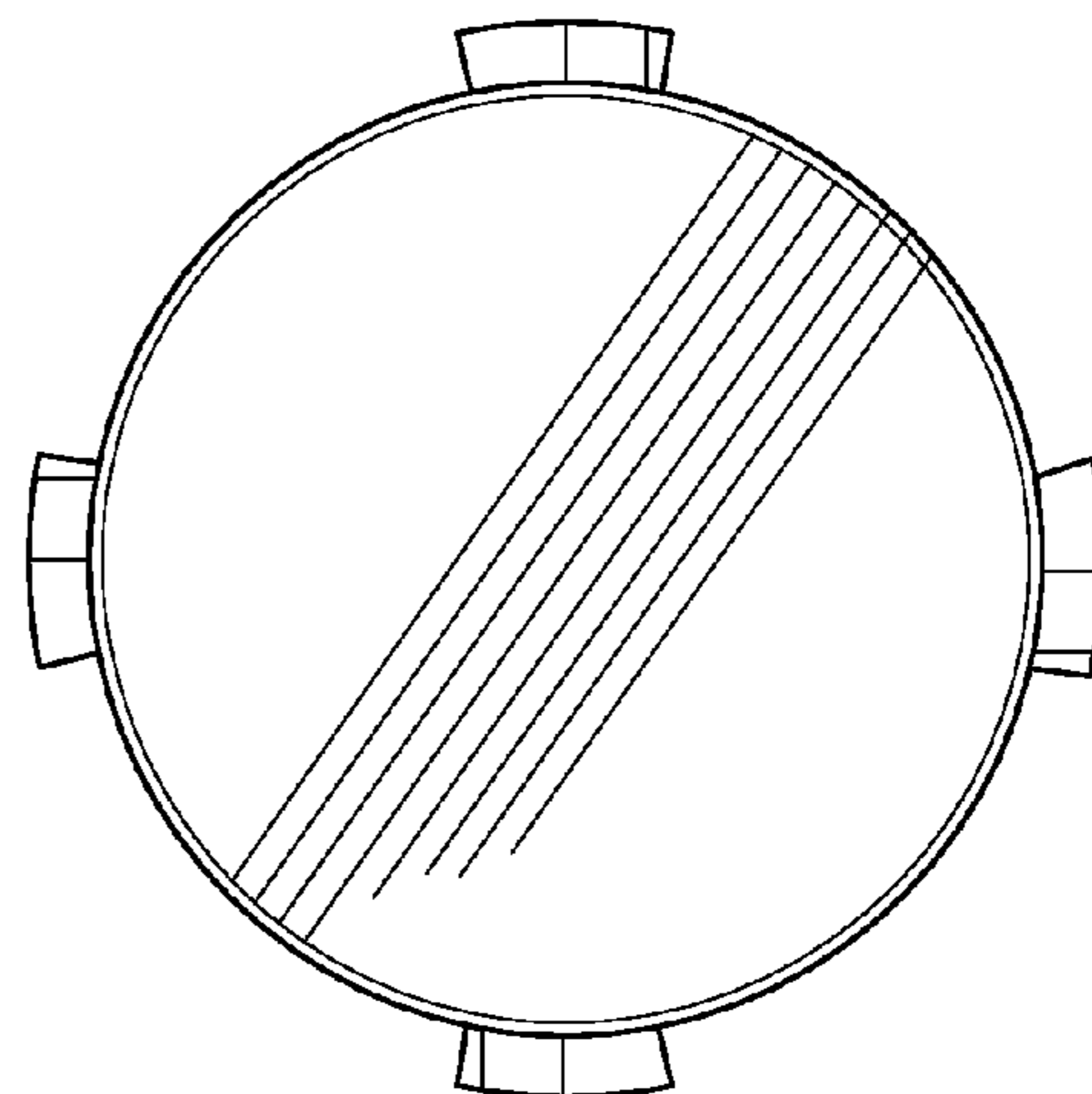


FIG. 14

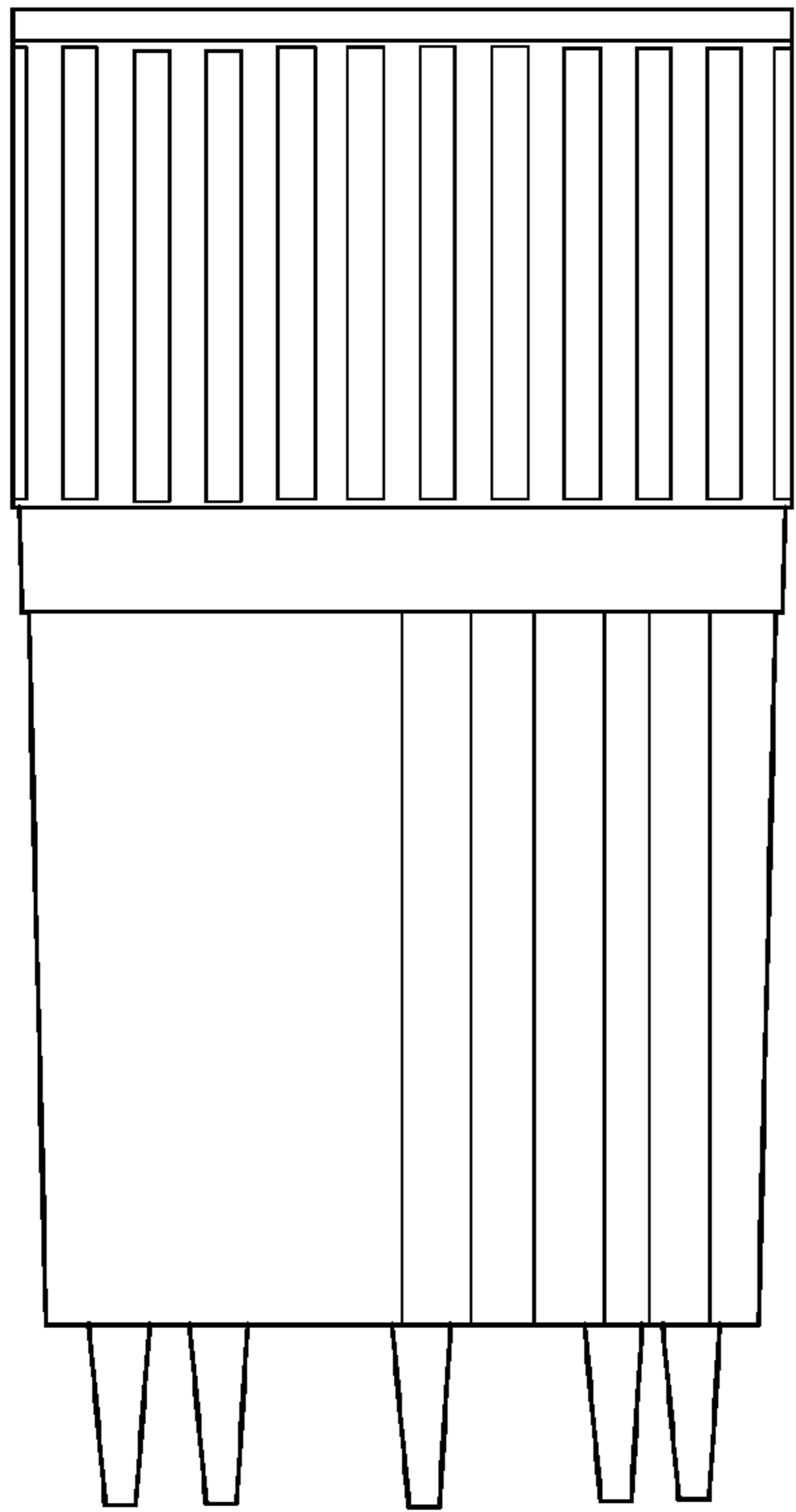


FIG. 15

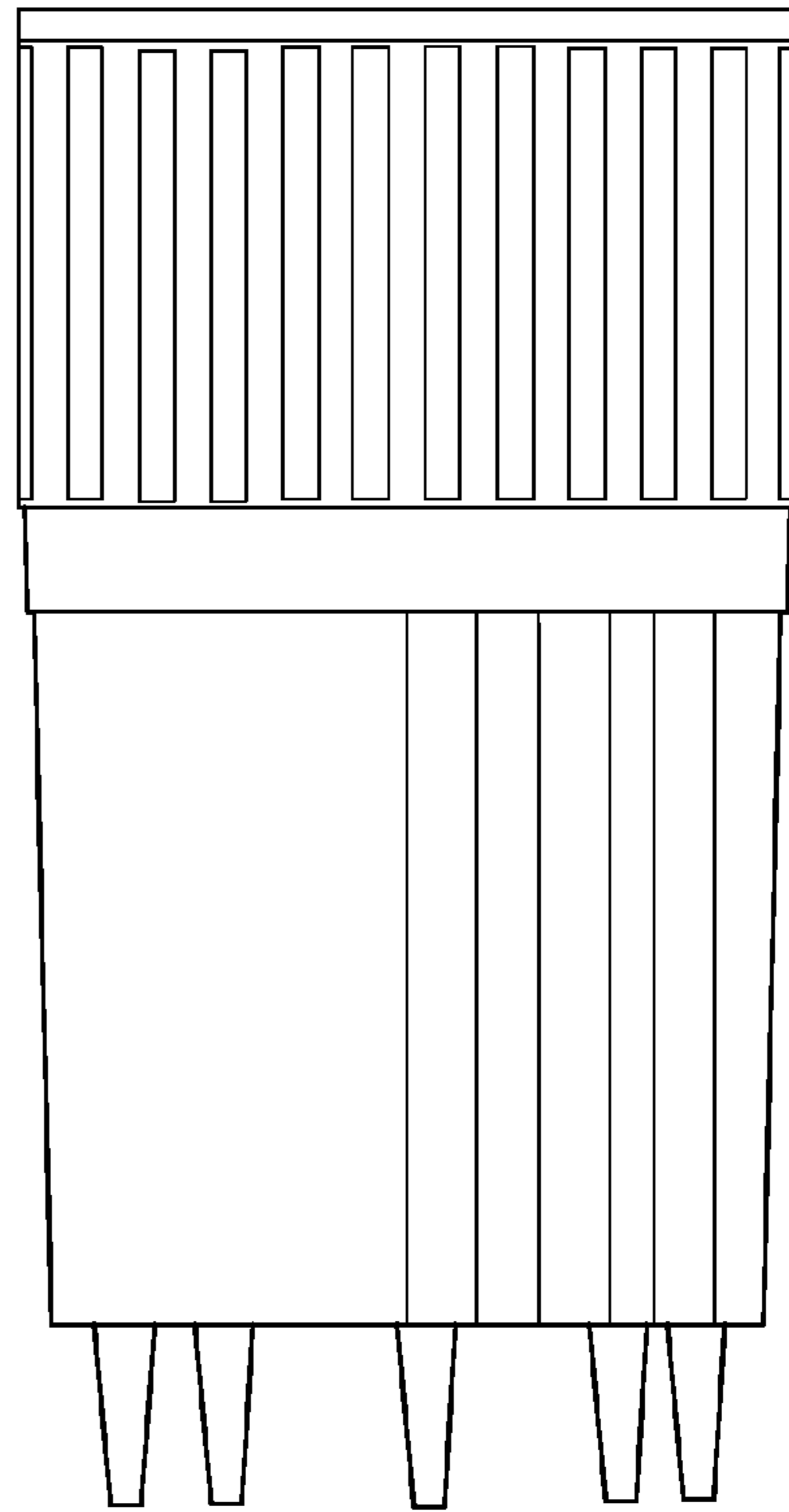


FIG. 16

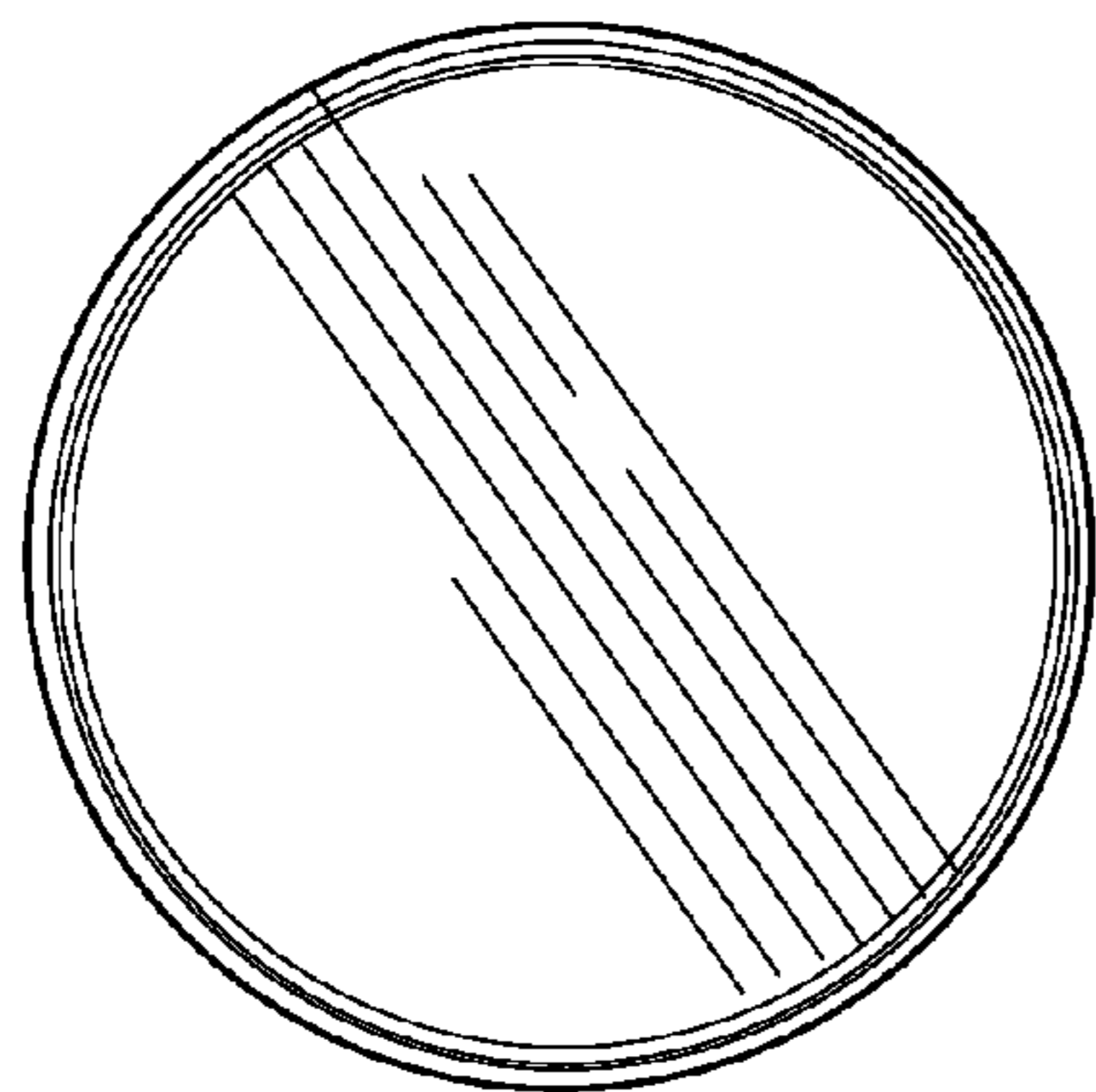


FIG. 17

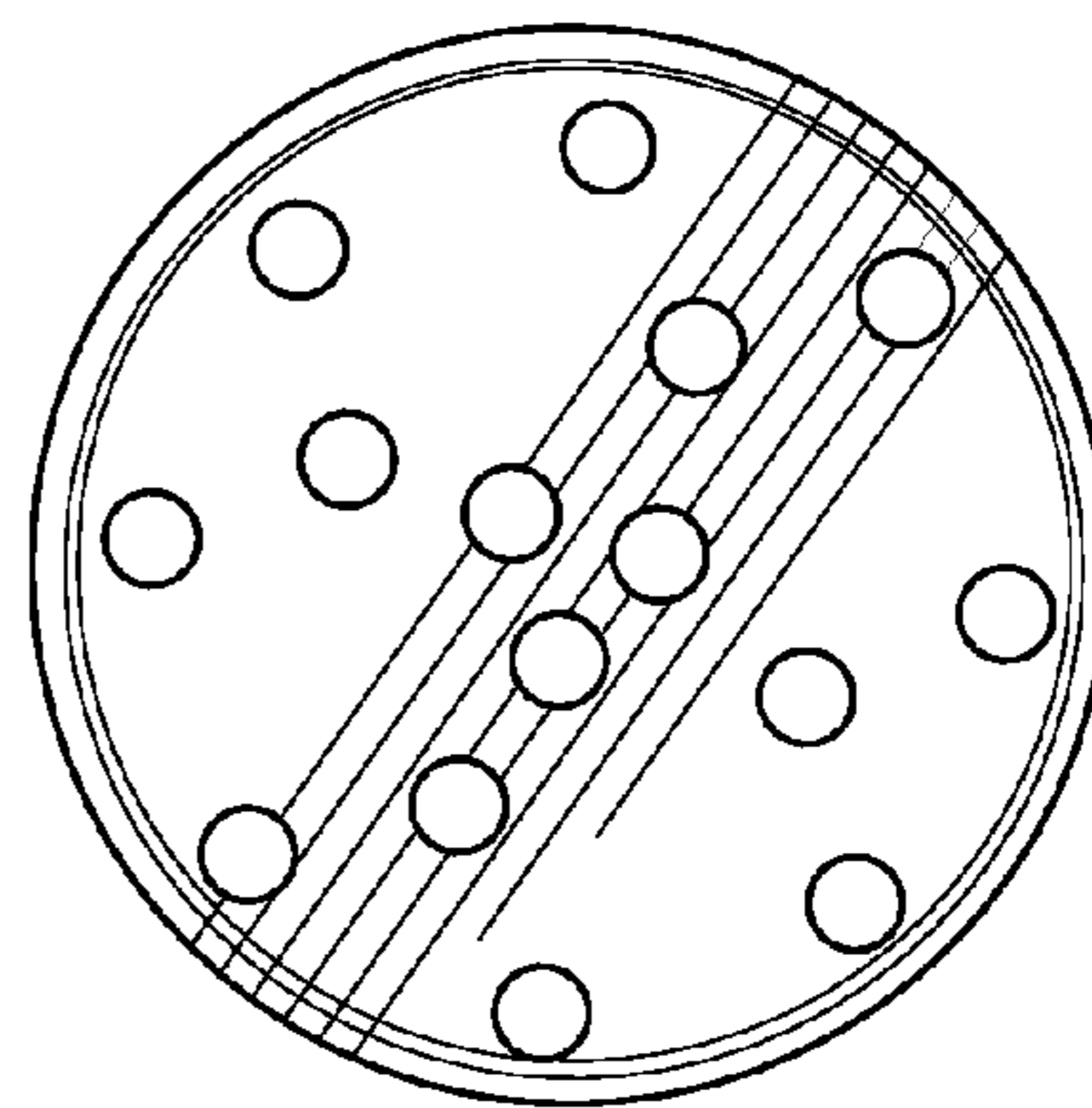


FIG. 18