



US00D689344S

(12) **United States Design Patent**
Cloutier et al.

(10) **Patent No.:** **US D689,344 S**

(45) **Date of Patent:** **** Sep. 10, 2013**

- (54) **MESH BACON PRESS**
- (71) Applicant: **Magellan Group Ltd.**, Blaine, WA (US)
- (72) Inventors: **Andre Dean Cloutier**, Blaine, WA (US);
Edwin Cheong, Blaine, WA (US);
Debra Lynne Sasken-Duff, Blaine, WA (US);
Michelle Richards, Blaine, WA (US);
Adriana Collins, Blaine, WA (US);
Marie Thornton, Blaine, WA (US)
- (73) Assignee: **Magellan Group Ltd.**, Blaine, WA (US)
- (**) Term: **14 Years**
- (21) Appl. No.: **29/437,764**
- (22) Filed: **Nov. 20, 2012**
- (51) **LOC (9) Cl.** **07-06**
- (52) **U.S. Cl.**
USPC **D7/686**
- (58) **Field of Classification Search**
USPC D7/683, 686, 687, 412, 409; 99/394,
99/393, 385, 421 A, 402, 419, 441, 426, 427,
99/324, 341, 349-380
See application file for complete search history.

1,945,165	A *	1/1934	Smith	99/441
2,280,131	A *	4/1942	Caesar et al.	99/402
2,545,005	A *	3/1951	Russell	99/394
2,827,847	A *	3/1958	Shafter	99/402
3,207,059	A *	9/1965	Hirons	99/349
4,212,235	A *	7/1980	Snyder	99/441
5,048,882	A *	9/1991	Fielding et al.	294/33
D510,510	S *	10/2005	Zemel	D7/683
D614,003	S *	4/2010	Zemel	D7/686

* cited by examiner

Primary Examiner — Terry Wallace

(74) *Attorney, Agent, or Firm* — Dwayne E. Rogge; Schacht Law Office, Inc.

(57) **CLAIM**

The ornamental design for a mesh bacon press, as shown and described.

DESCRIPTION

FIG. 1 is a top isometric view of our mesh bacon press in a partially open position thereof.

FIG. 2 is an exploded view of the individual components thereof shown separately for clarity of illustration.

FIG. 3 is a rear view in a closed position thereof.

FIG. 4 is a top view in a closed position thereof with the opposing bottom view being substantially identical thereto.

FIG. 5 is a front view in a closed position thereof.

FIG. 6 is a side view in a closed position with the opposing side view being a mirror image thereof; and,

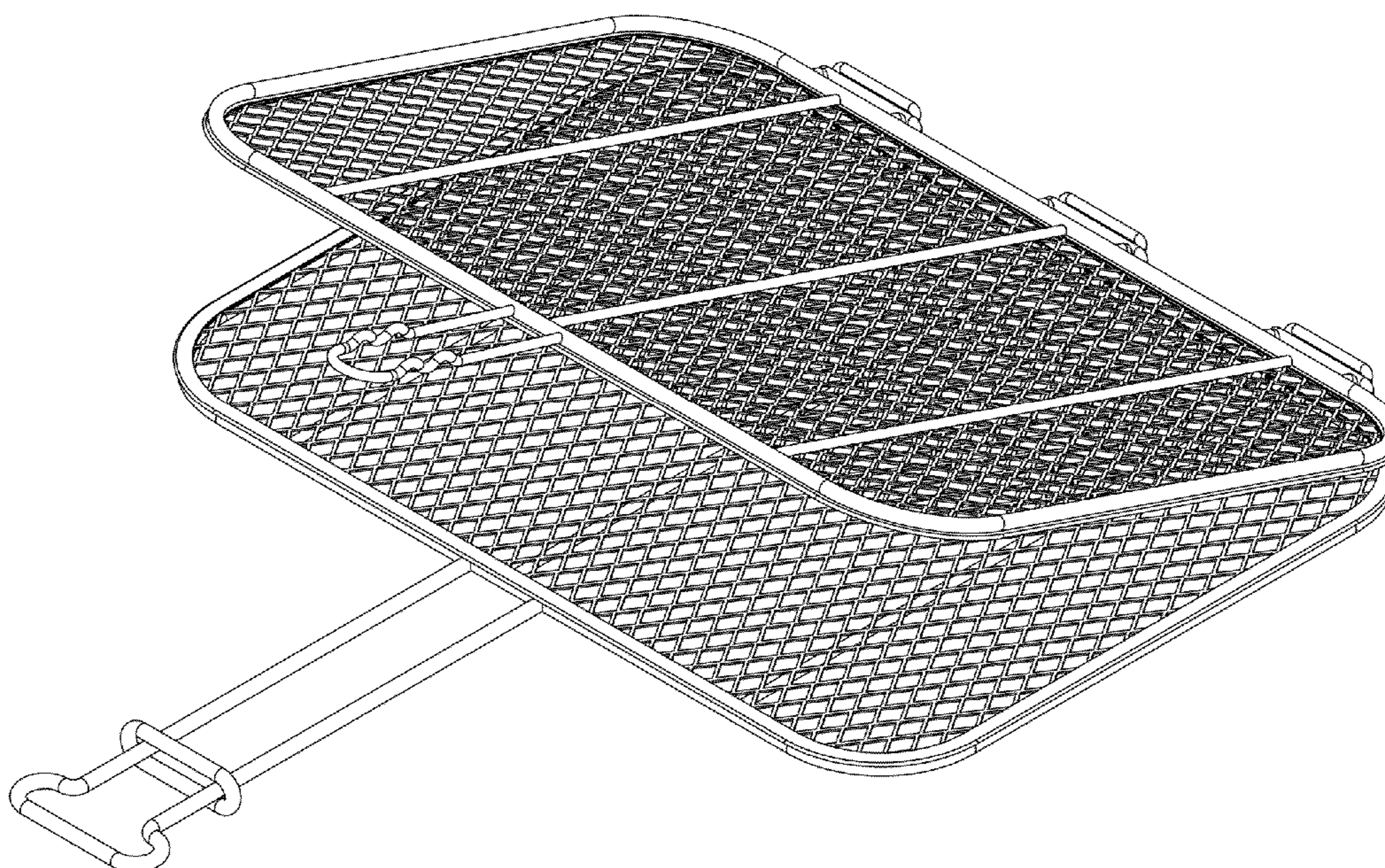
FIG. 7 is a side view in a partially open position with the opposing side view being a mirror image thereof.

1 Claim, 4 Drawing Sheets

(56) **References Cited**

U.S. PATENT DOCUMENTS

498,984	A *	6/1893	Monachesi	99/394
1,091,877	A *	3/1914	Collis	126/30



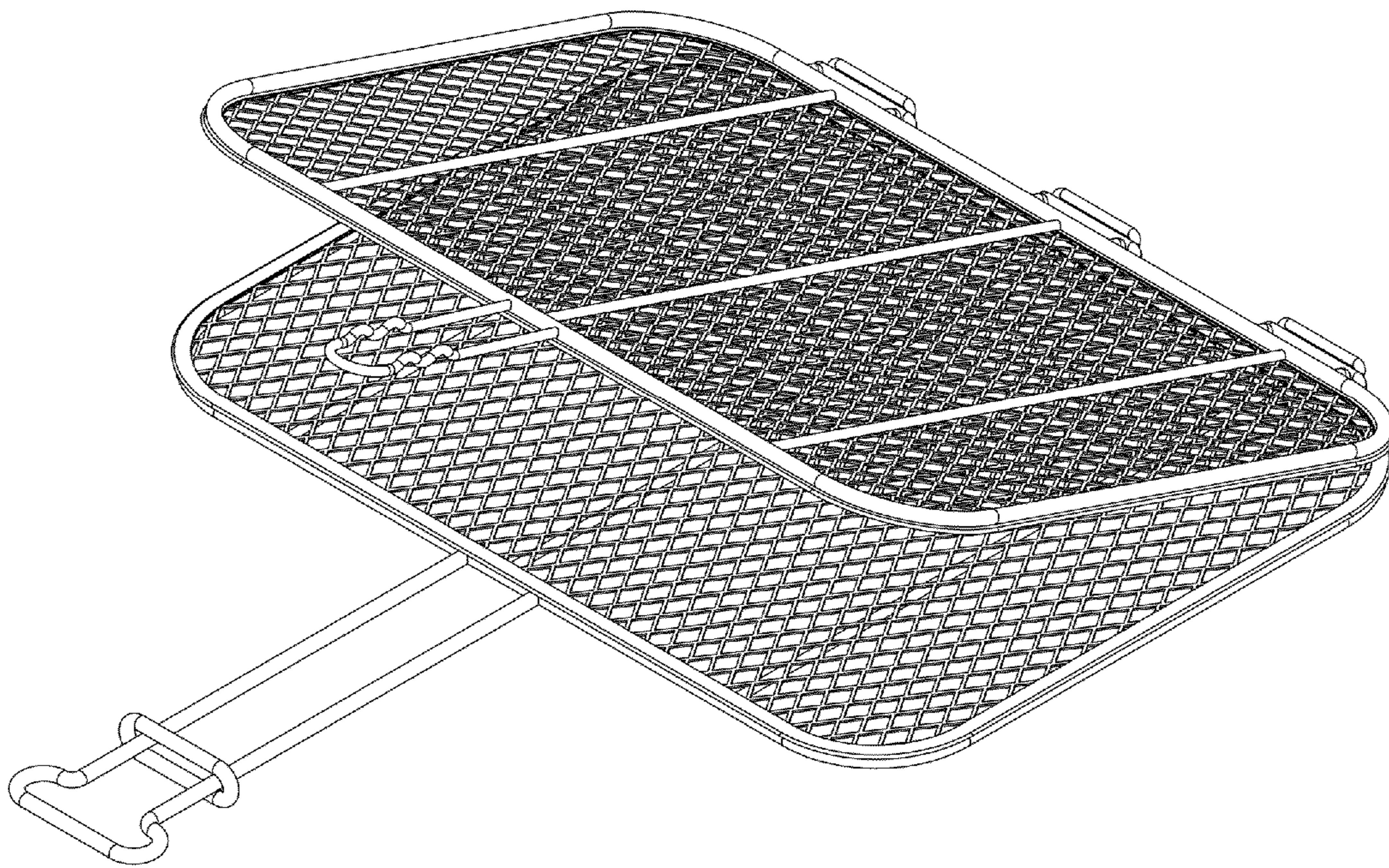


Fig. 1

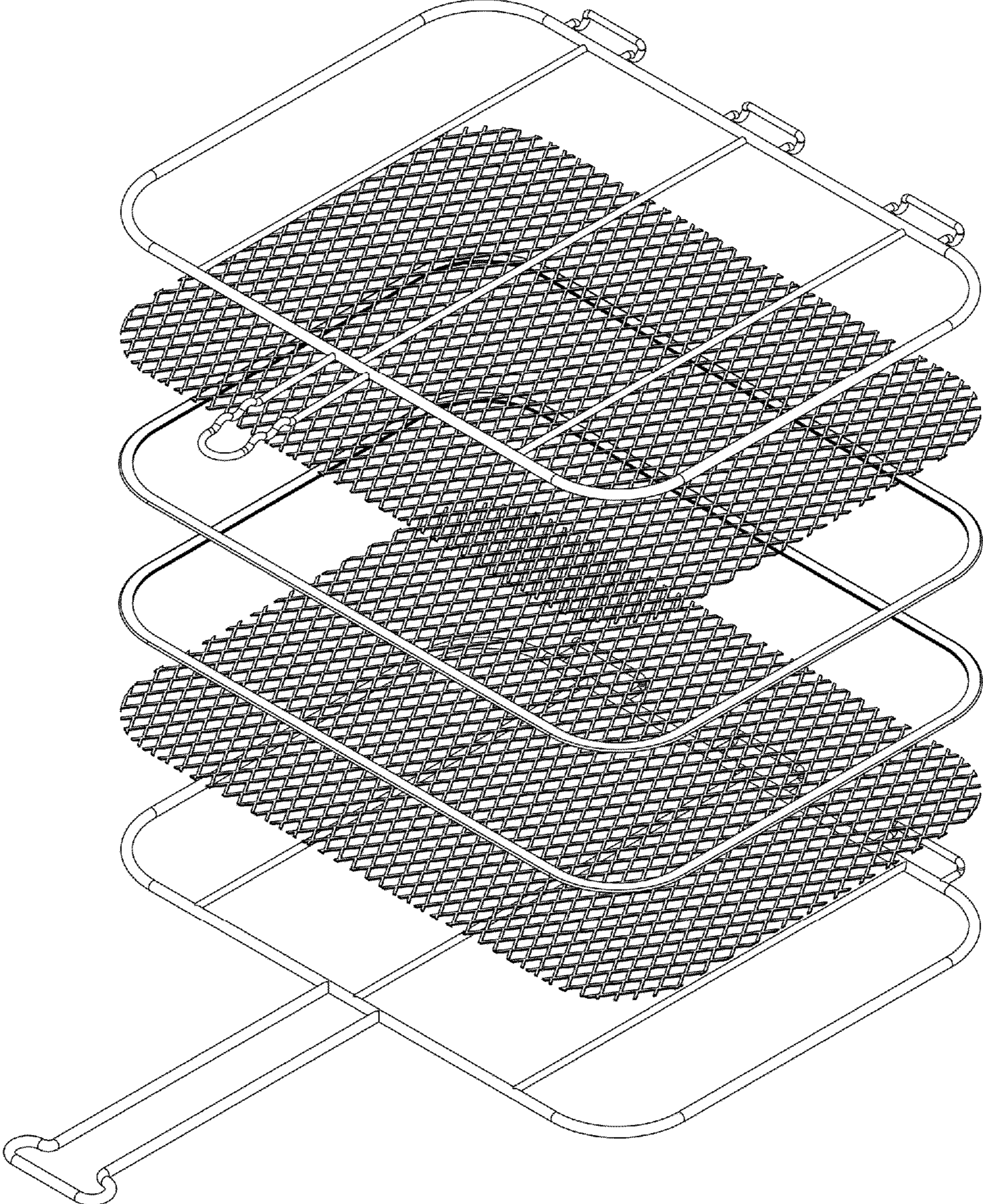


Fig. 2

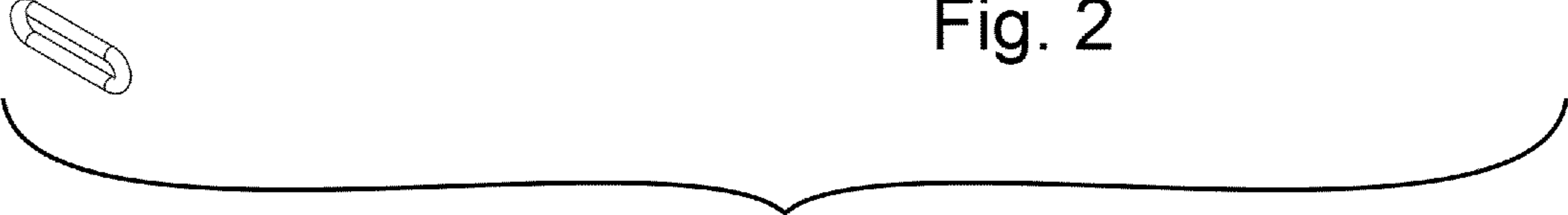




Fig. 3

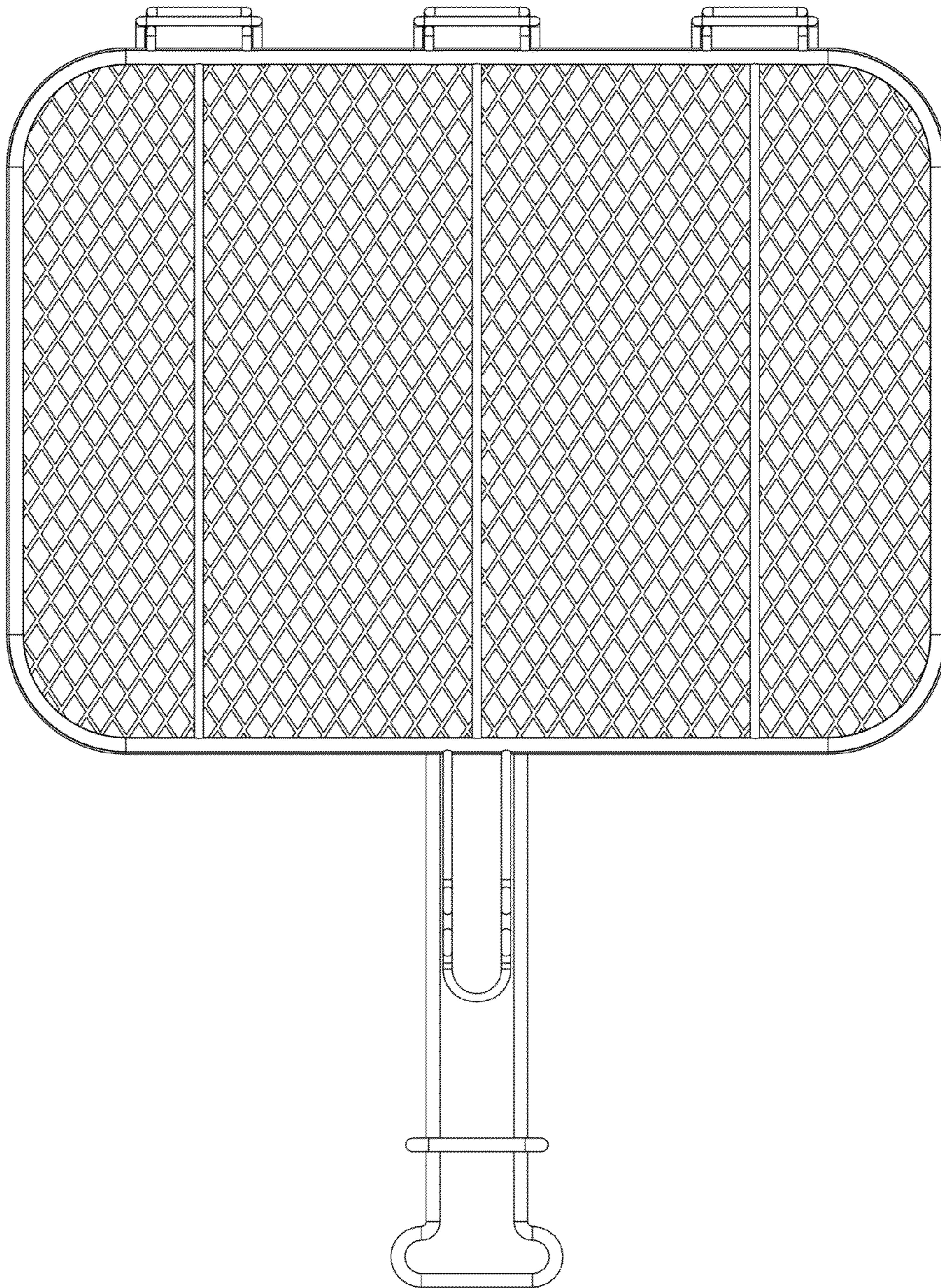


Fig. 4

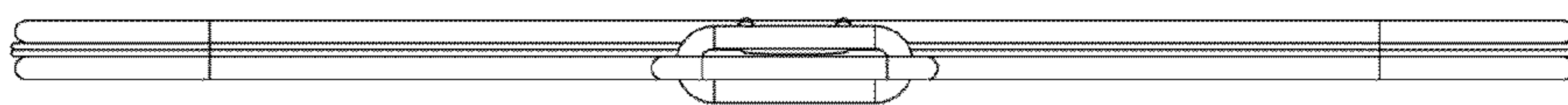


Fig. 5

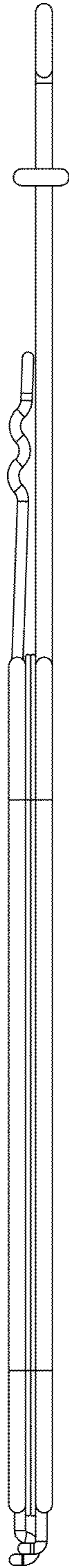


Fig. 6

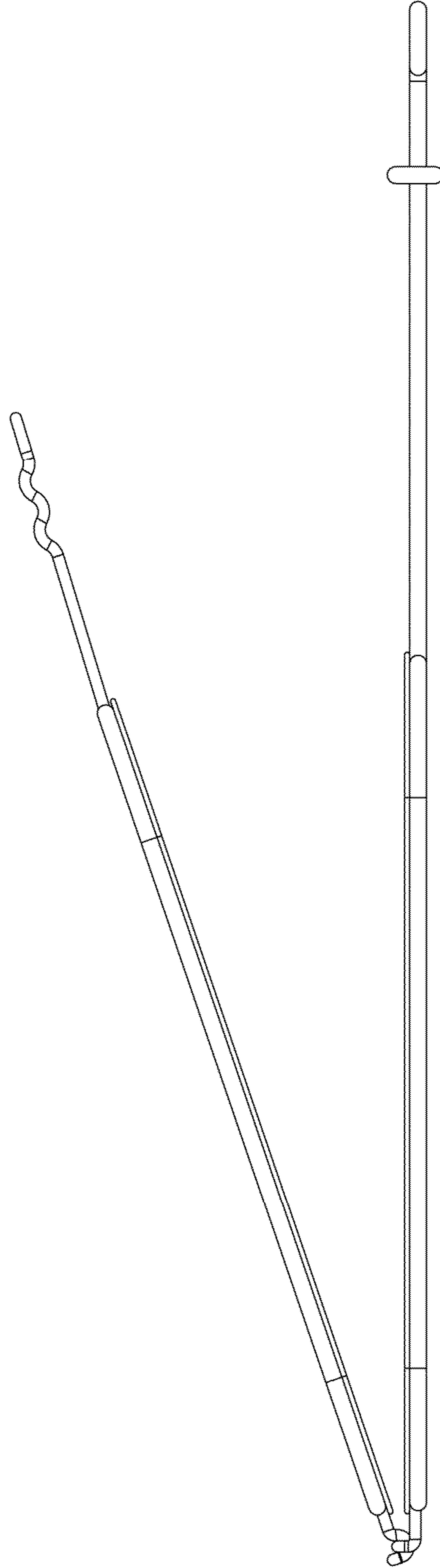


Fig. 7