



US00D689343S

(12) **United States Design Patent**
McQuinn et al.

(10) **Patent No.:** **US D689,343 S**

(45) **Date of Patent:** **** Sep. 10, 2013**

(54) **UNIVERSAL NUTCRACKER**

(71) Applicant: **Jerry E McQuinn**, Kokomo, IN (US)

(72) Inventors: **Jerry E. McQuinn**, Kokomo, IN (US);
Lee B. McQuinn, Lenox, MI (US)

(73) Assignee: **Jerry E. McQuinn**, Kokomo, IN (US)

(**) Term: **14 Years**

(21) Appl. No.: **29/451,905**

(22) Filed: **Apr. 10, 2013**

(51) **LOC (9) Cl.** **07-06**

(52) **U.S. Cl.**
USPC **D7/680**

(58) **Field of Classification Search**
USPC D7/680; D8/52, 98; 30/192, 252,
30/120.1-120.5; 99/579, 572, 580, 582,
99/571, 583
See application file for complete search history.

(56) **References Cited**

U.S. PATENT DOCUMENTS

| | | | | |
|-----------|-----|---------|--------|----------|
| 3,713,468 | A * | 1/1973 | Walsh | 99/580 |
| 4,009,651 | A * | 3/1977 | Adams | 99/579 |
| D248,814 | S | 8/1978 | Bayly | |
| 4,128,938 | A * | 12/1978 | Davis | 30/120.3 |
| 4,200,042 | A * | 4/1980 | Scholz | 99/582 |
| 4,641,430 | A * | 2/1987 | Hahn | 30/120.5 |
| 5,174,026 | A | 12/1992 | Writt | |

D472,119 S 3/2003 Burrows
6,807,961 B2 10/2004 Burrows
D634,845 S 3/2011 Gao

OTHER PUBLICATIONS

Ornamental & Figural Nutcrackers an identification & value guide
Copyright Judith A. Rittenhouse 1993.

The Art and Character of Nutcrackers The Leavenworth Nutcracker
Museum Copyright Arlene Wagner 2005 ISBN 1-933112-08-5.

* cited by examiner

Primary Examiner — Terry Wallace

(74) *Attorney, Agent, or Firm* — Frank D. Lachenmaier

(57) **CLAIM**

The ornamental design for a universal nutcracker, as shown
and described.

DESCRIPTION

FIG. 1 is a side view of a universal nutcracker.

FIG. 2 is a front view thereof.

FIG. 3 is a back view thereof.

FIG. 4 is a bottom view thereof.

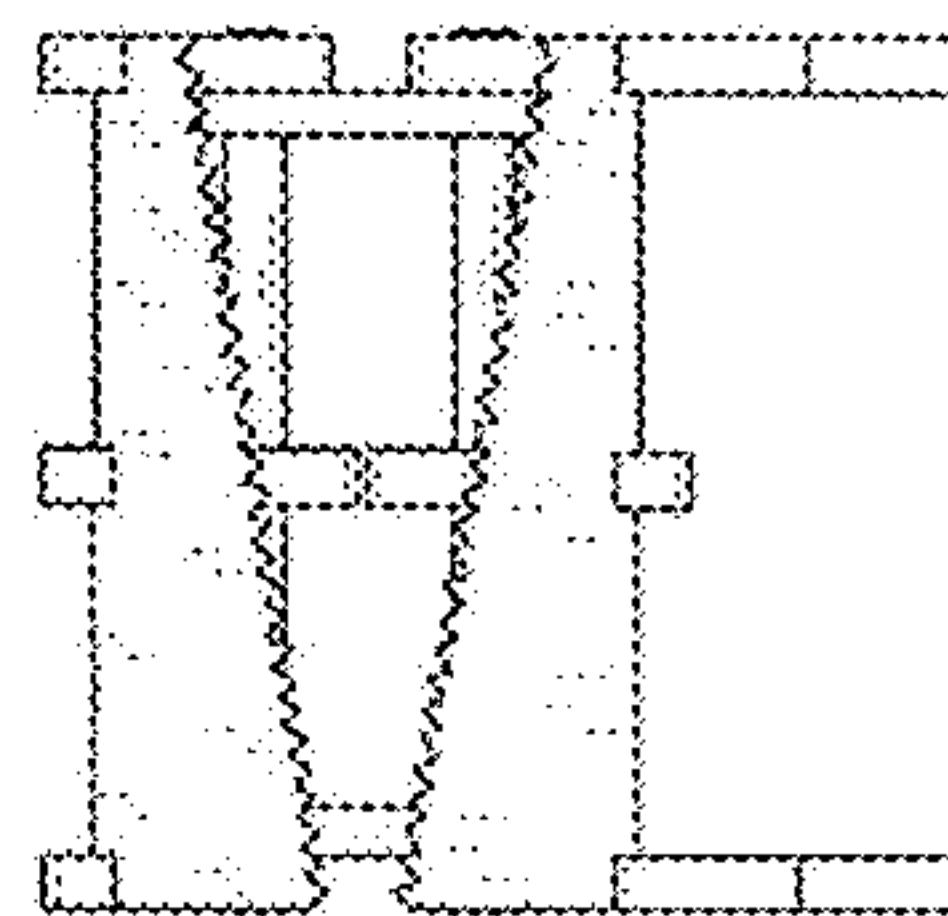
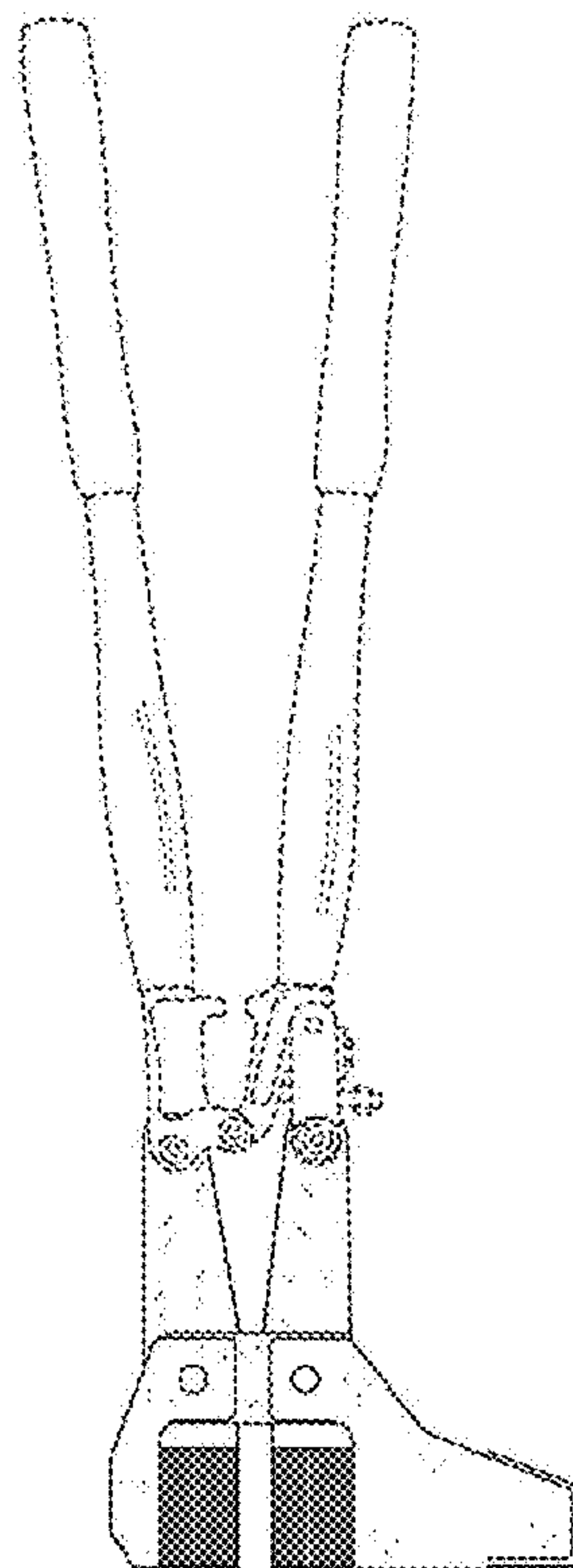
FIG. 5 is a top view thereof.

FIG. 6 is a side view thereof after it is opened, and

FIG. 7 is an enlarged perspective view thereof.

Nuts, mechanical handles, linkage and the table top are shown
in broken lines as they are not part of this invention and are
shown for illustrative purposes only.

1 Claim, 3 Drawing Sheets



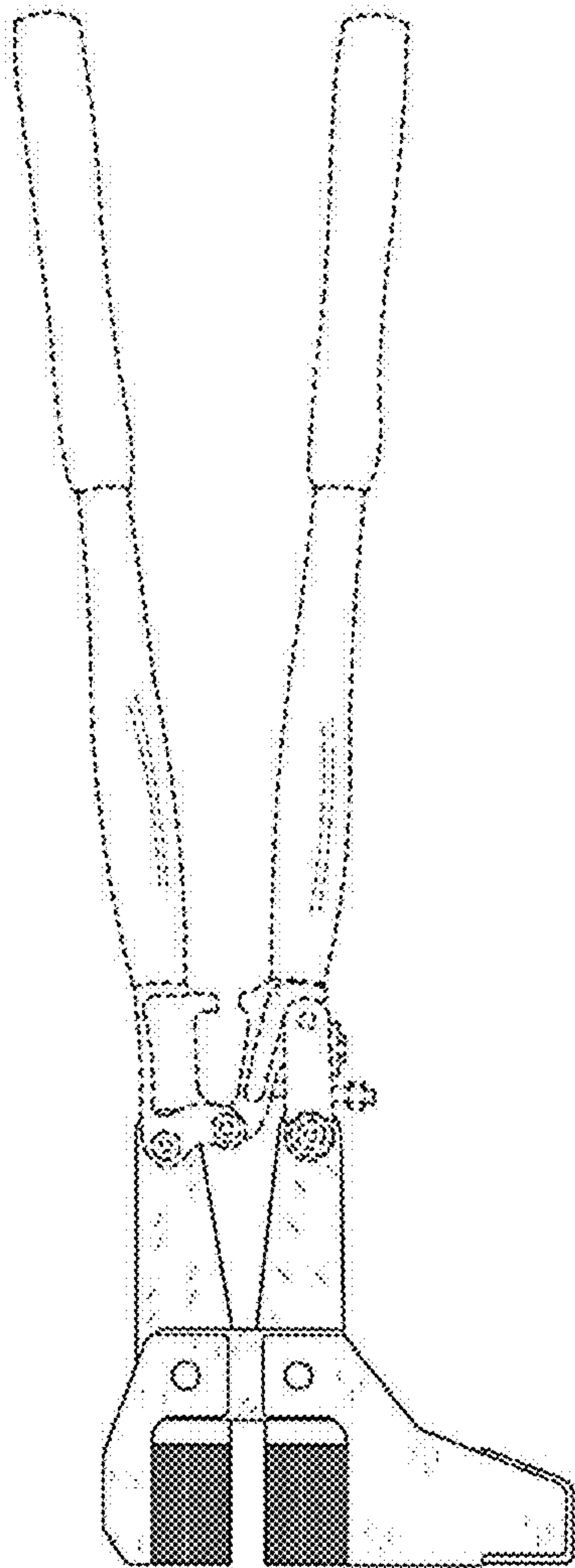


FIG 1

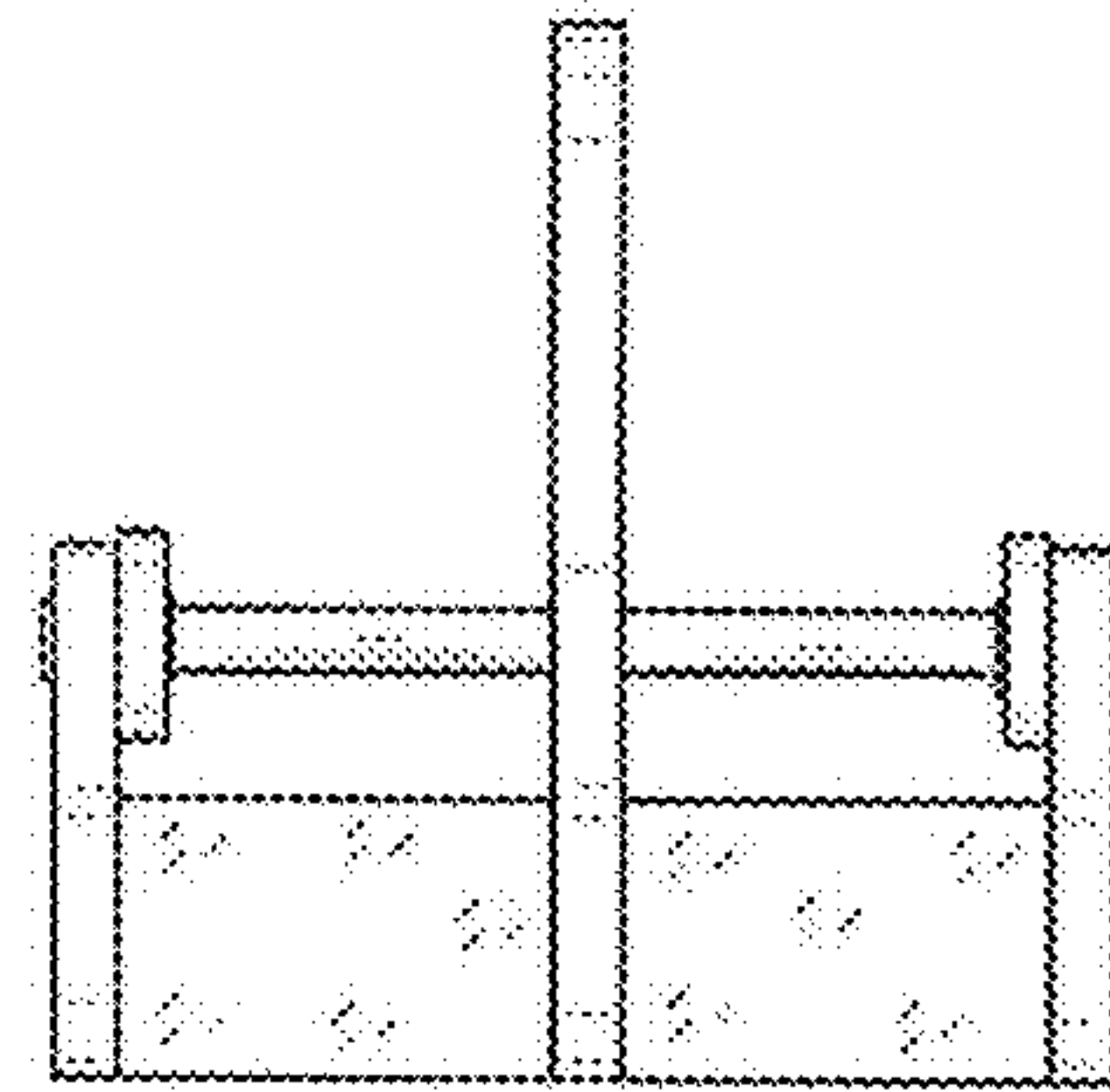


FIG 5

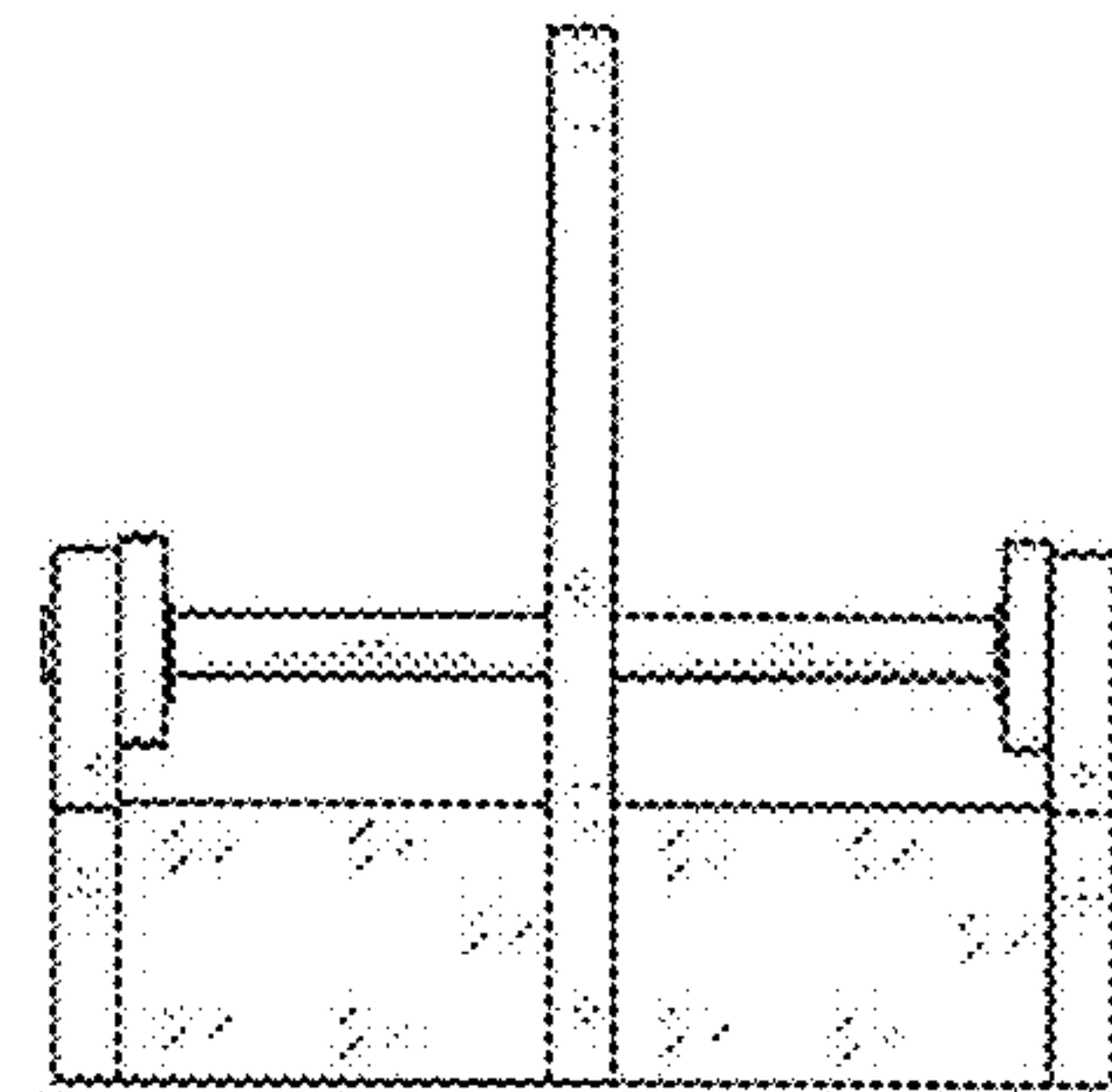


FIG 4

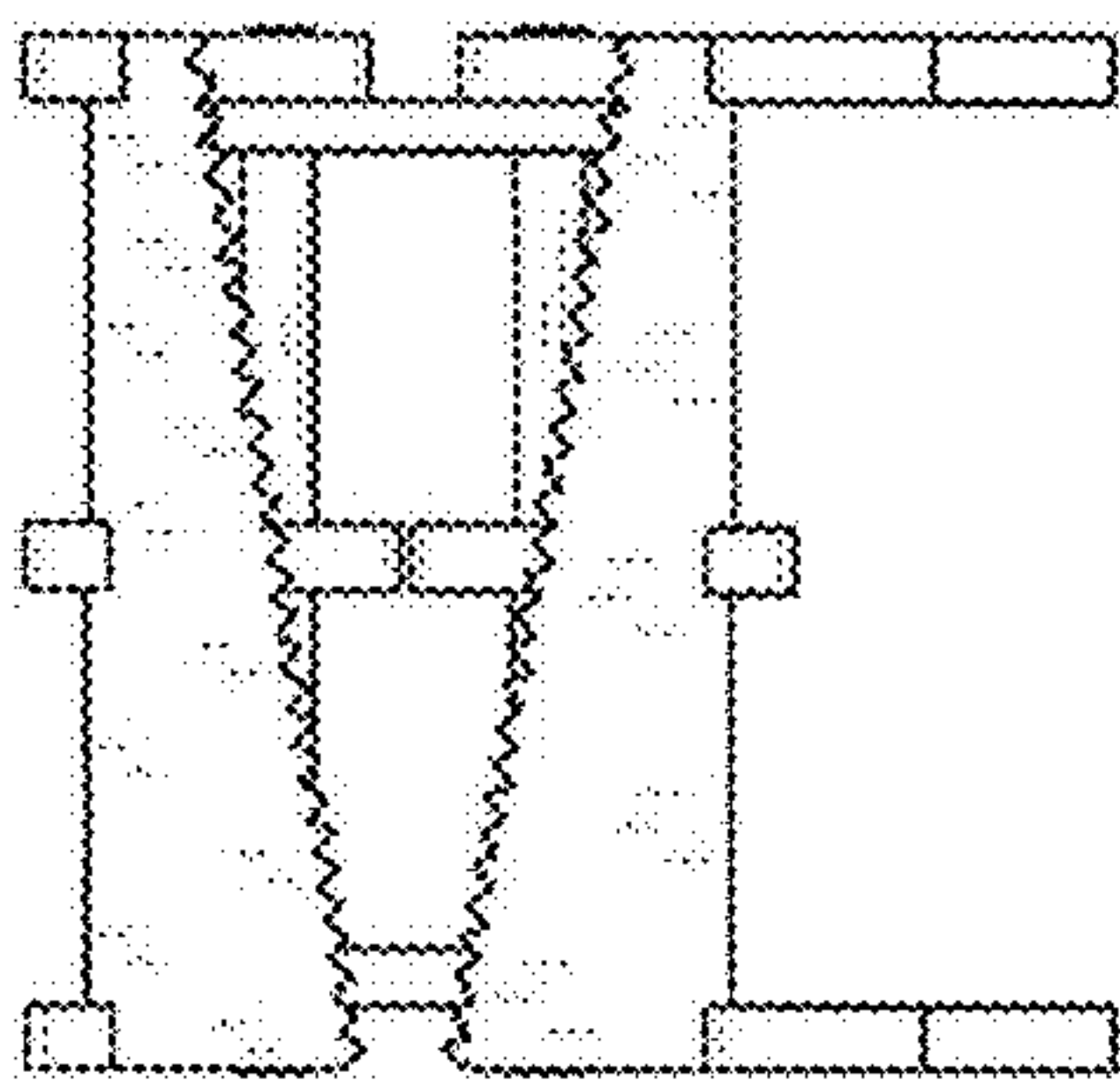


FIG 2

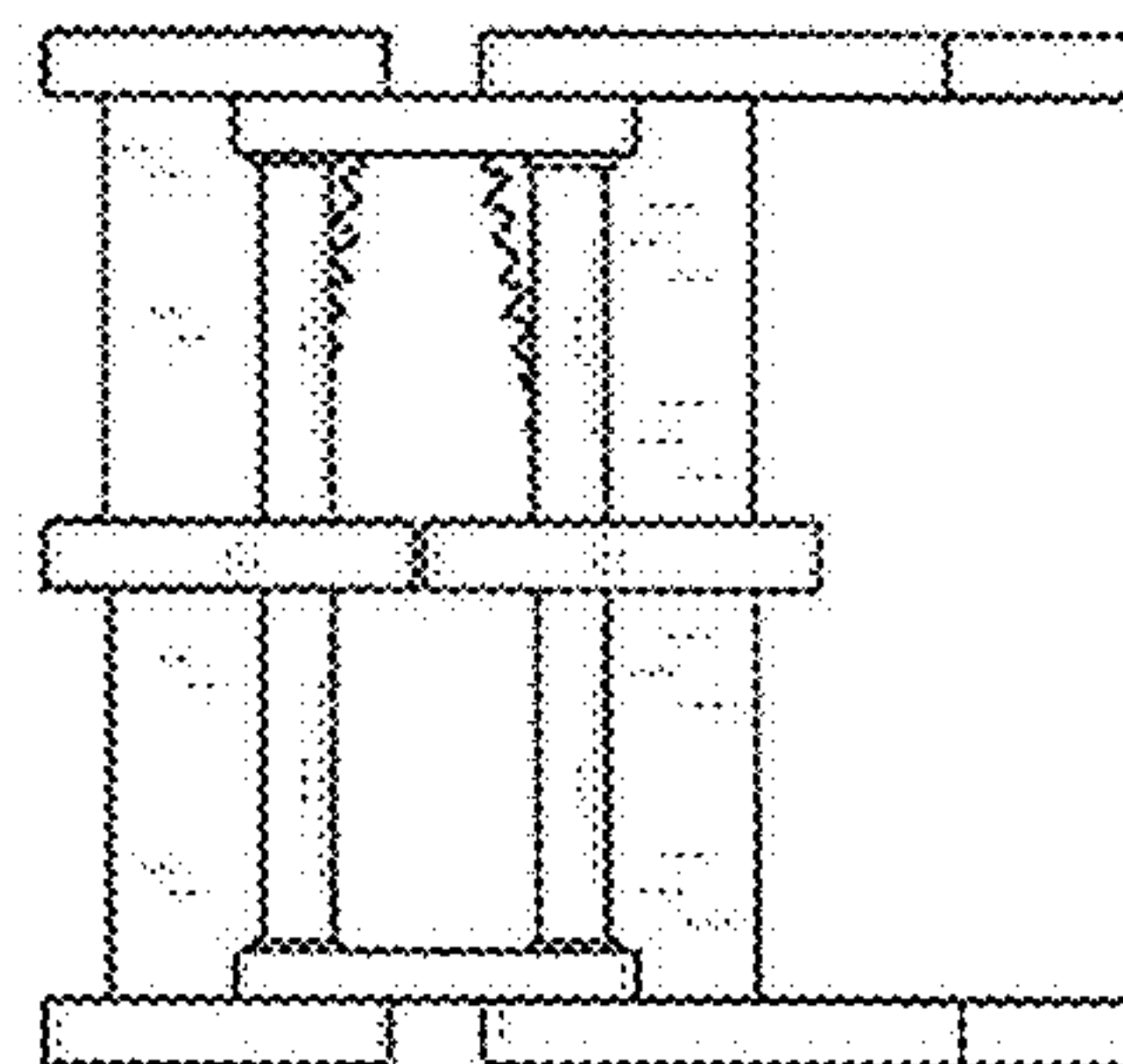


FIG 3

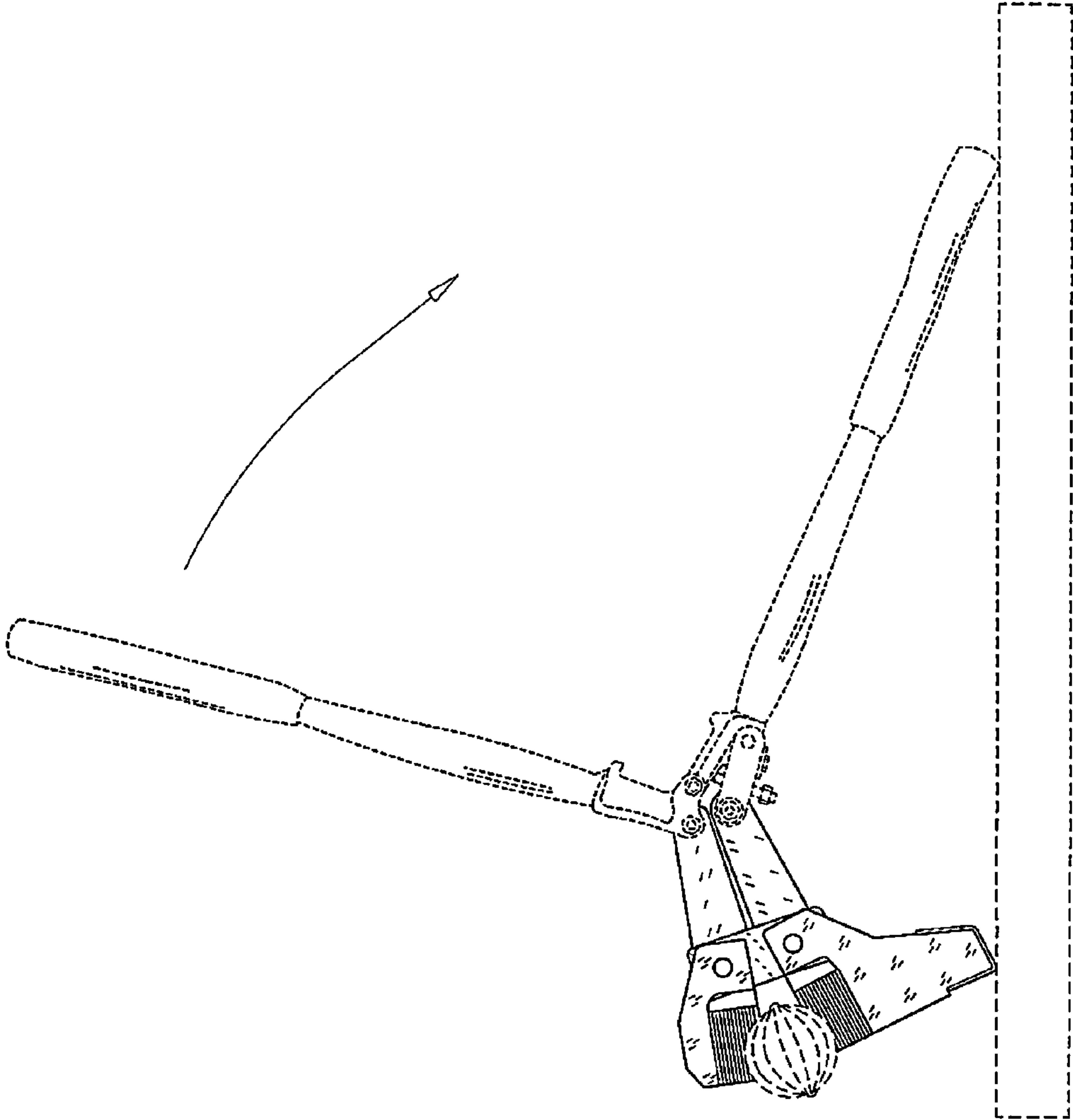


FIG 6

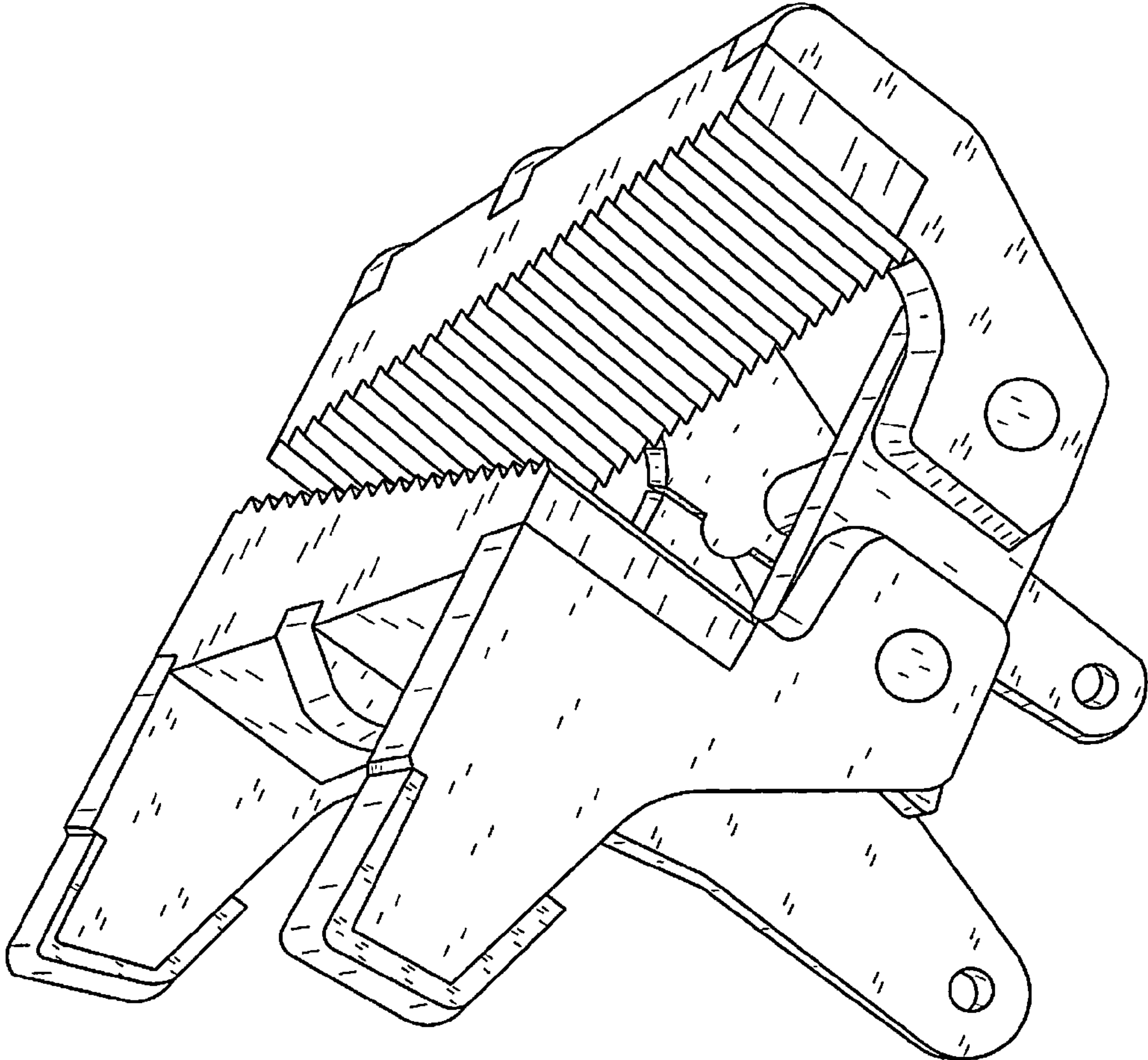


FIG 7