



US00D689340S

(12) **United States Design Patent**  
**Lopez**

(10) **Patent No.:** **US D689,340 S**

(45) **Date of Patent:** **\*\* Sep. 10, 2013**

(54) **EMPANADA UTENSIL**

D333,760 S \* 3/1993 Walker ..... D7/672  
D546,639 S \* 7/2007 Minidis ..... D7/672  
D604,998 S \* 12/2009 Ablo ..... D7/674

(71) Applicant: **Hipatia Lopez**, Elmwood Park, NJ (US)

\* cited by examiner

(72) Inventor: **Hipatia Lopez**, Elmwood Park, NJ (US)

*Primary Examiner* — Terry Wallace

(\*\*) Term: **14 Years**

(74) *Attorney, Agent, or Firm* — Michael J. Feigin, Esq.;  
Feigin & Associates, LLC

(21) Appl. No.: **29/432,497**

(22) Filed: **Sep. 16, 2012**

(57) **CLAIM**

The ornamental design for an empanada utensil, as shown and described.

**Related U.S. Application Data**

(63) Continuation-in-part of application No. 29/408,089,  
filed on Dec. 7, 2011, now Pat. No. Des. 671,804.

**DESCRIPTION**

(51) **LOC (9) Cl.** ..... **07-04**

(52) **U.S. Cl.**  
USPC ..... **D7/672**

(58) **Field of Classification Search**  
USPC ..... D7/669, 680–697, 672–677; 425/289,  
425/346, 89; 249/170; 99/426, 416; 30/289,  
30/294, 299, 305, 314, 315  
See application file for complete search history.

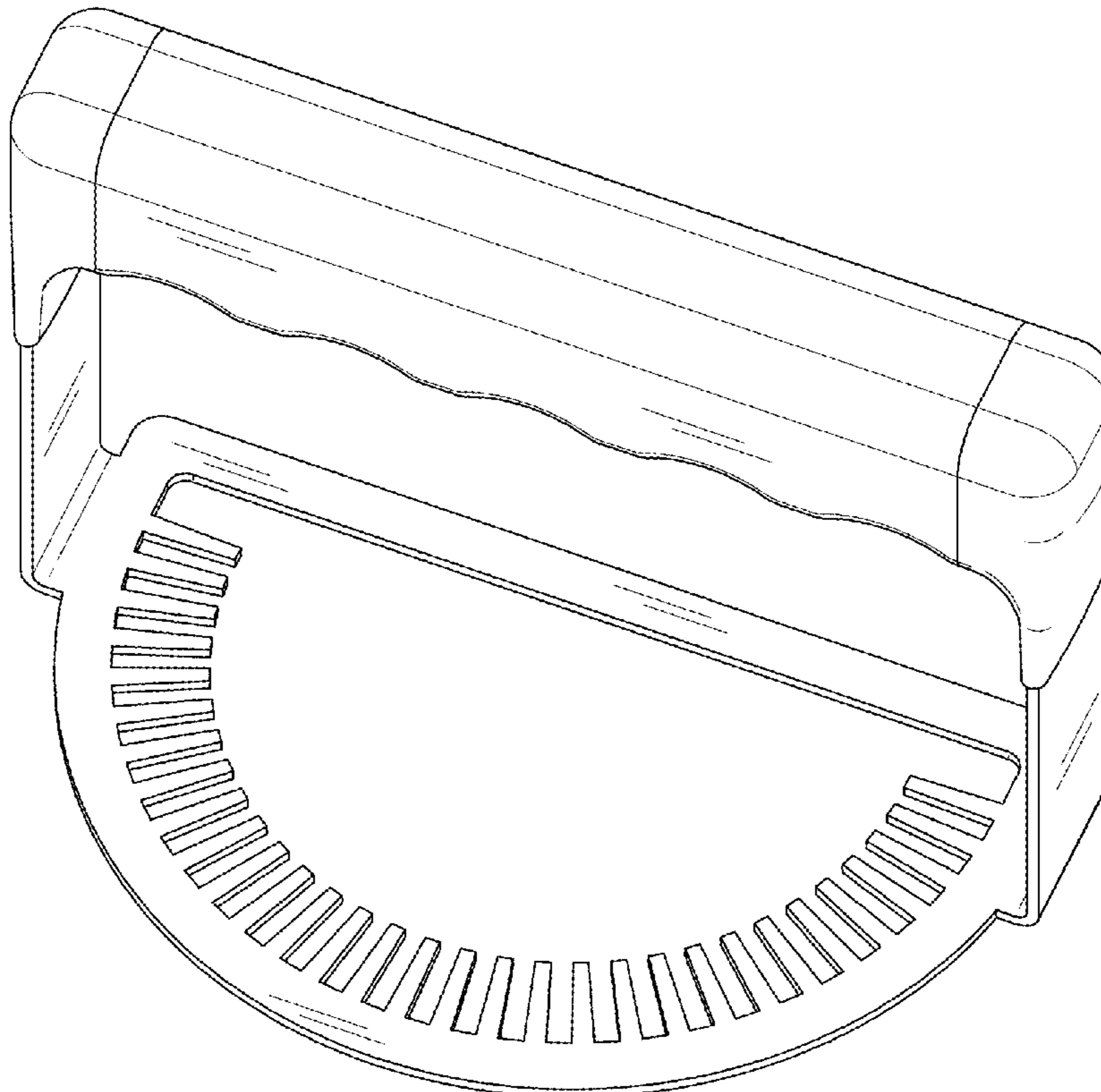
FIG. 1 is a top and side perspective view of the empanada utensil from above;  
FIG. 2 is a bottom and side perspective view of the empanada utensil;  
FIG. 3 is side elevation view of the empanada utensil;  
FIG. 4 is a reverse side elevation view of the empanada utensil;  
FIG. 5 is a top plan view of the empanada utensil;  
FIG. 6 is a bottom plan view of the empanada utensil; and,  
FIG. 7 is side elevation view, turned 90 degrees from that of FIG. 3 and FIG. 4., of the empanada utensil.

(56) **References Cited**

**U.S. PATENT DOCUMENTS**

D260,841 S \* 9/1981 Gilmore ..... D7/673  
4,759,706 A \* 7/1988 Damianakos et al. .... 425/289

**1 Claim, 7 Drawing Sheets**



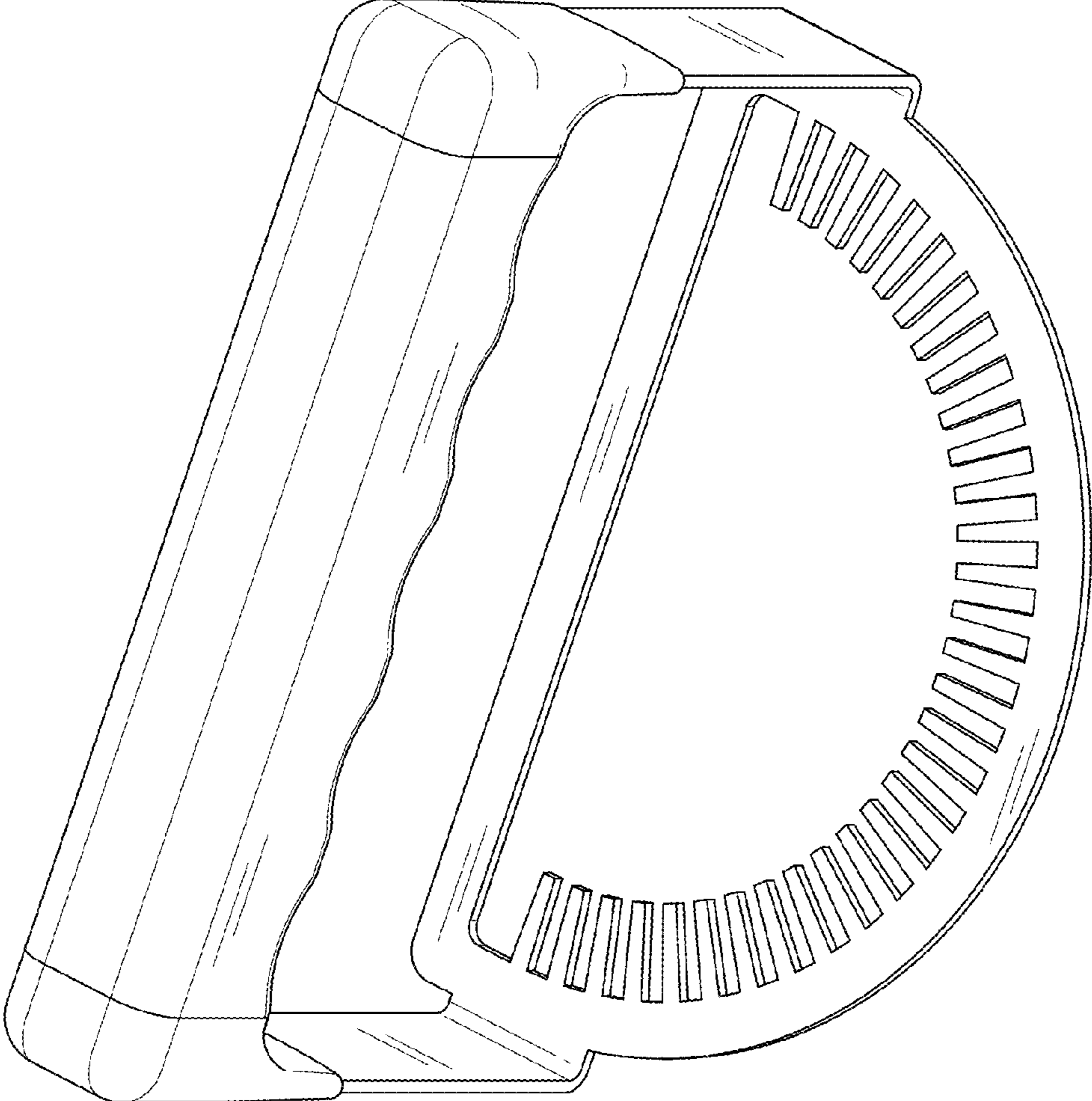


FIG. 1

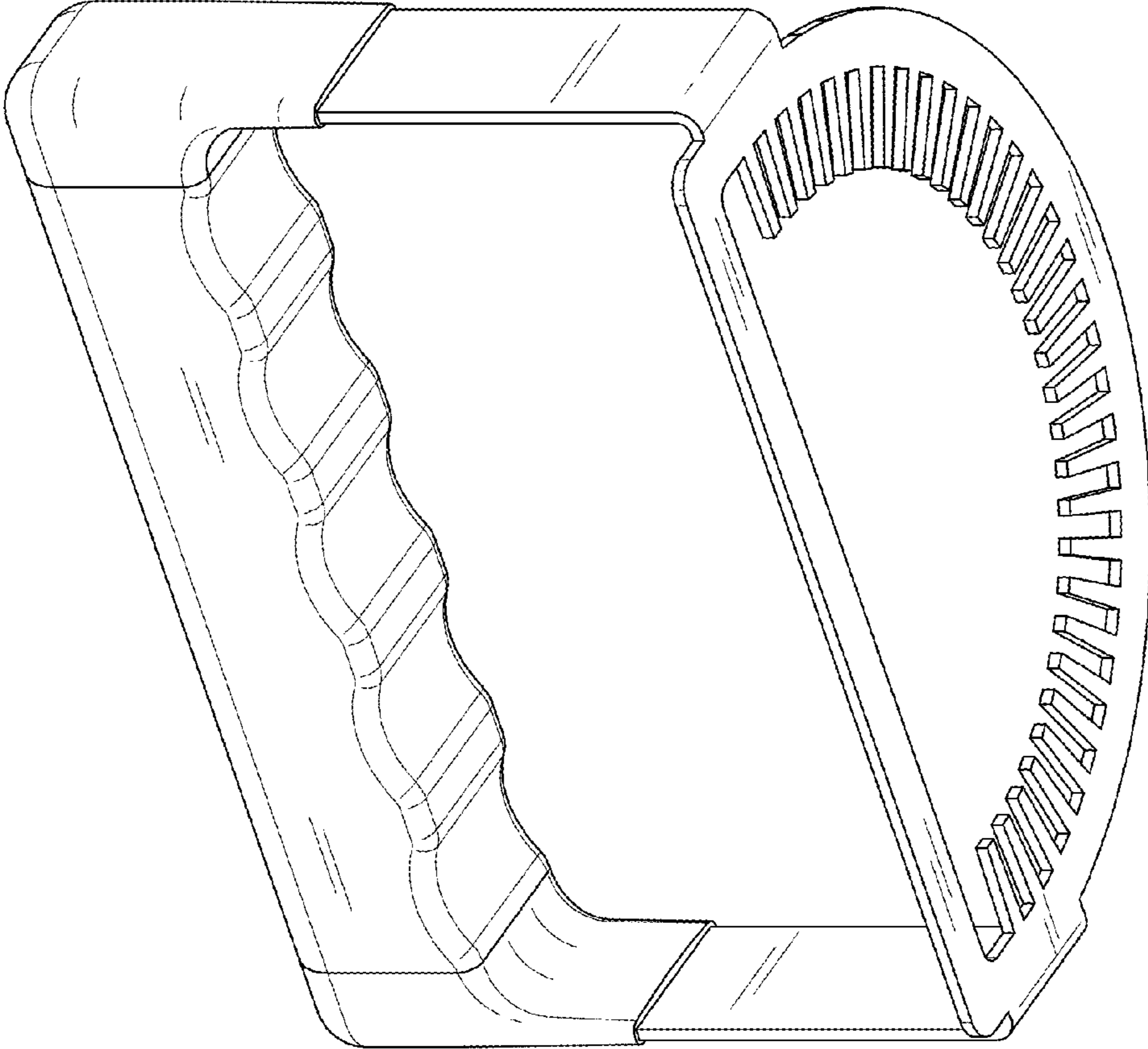


FIG. 2

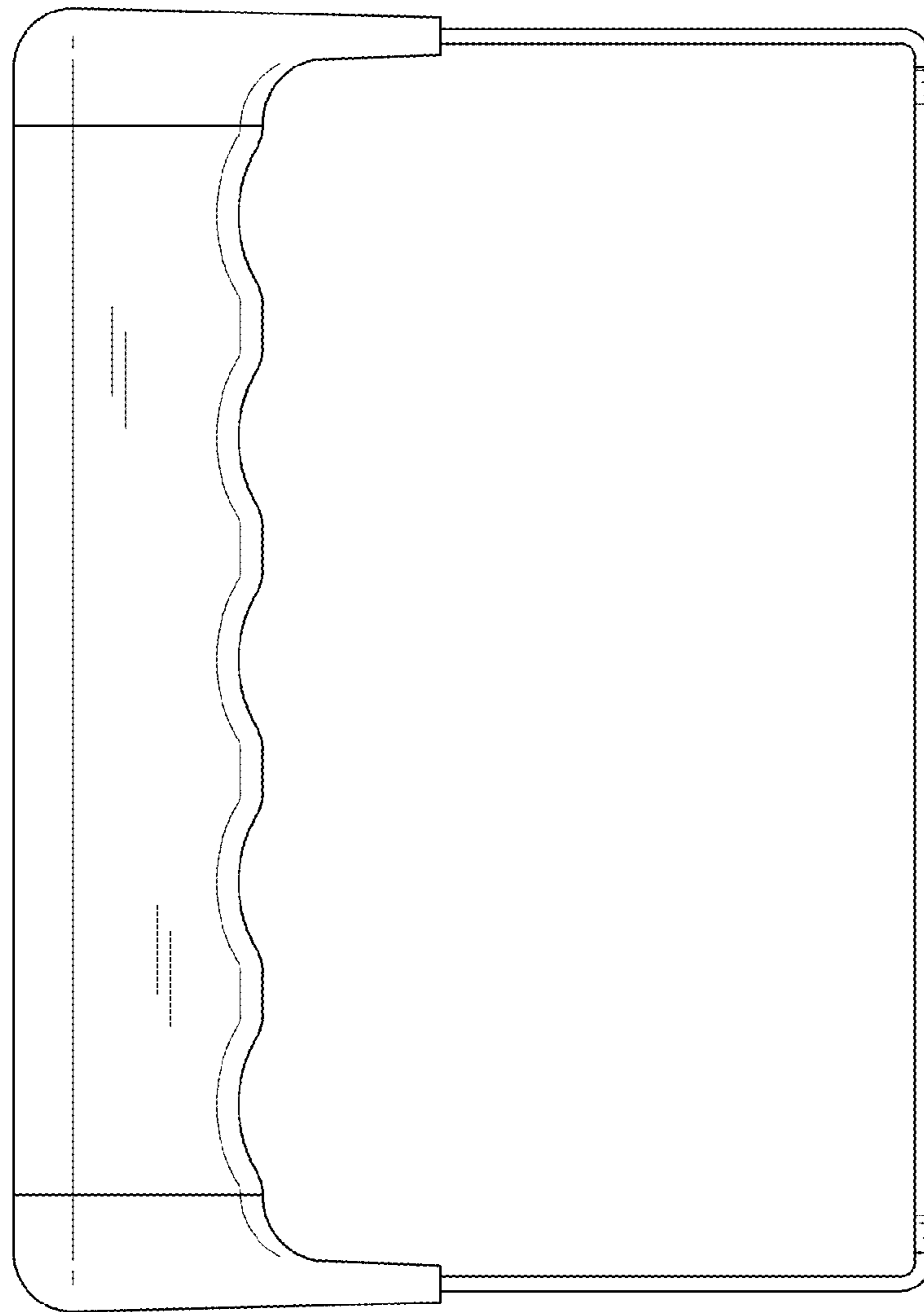


FIG. 3

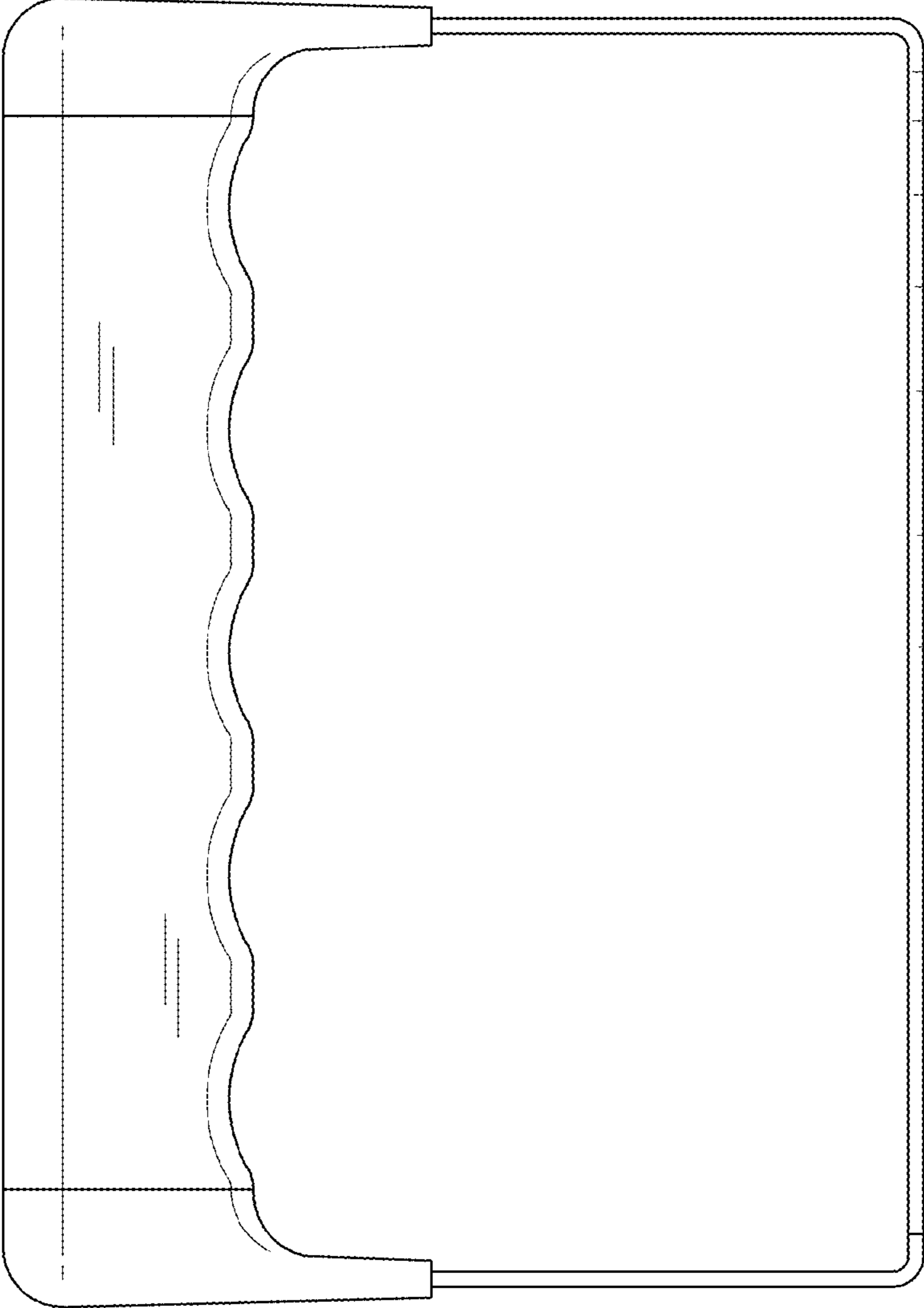


FIG. 4

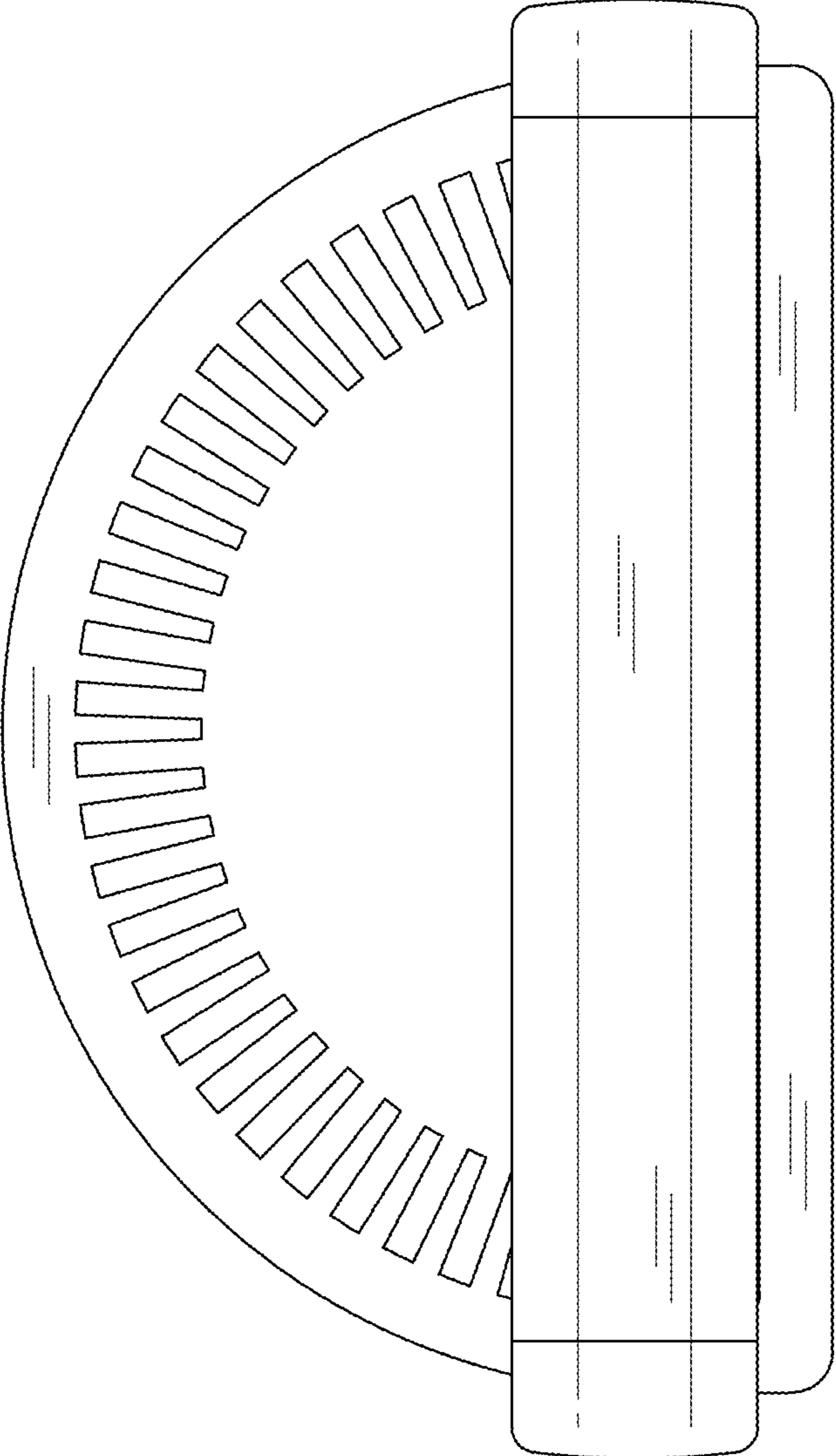


FIG. 5

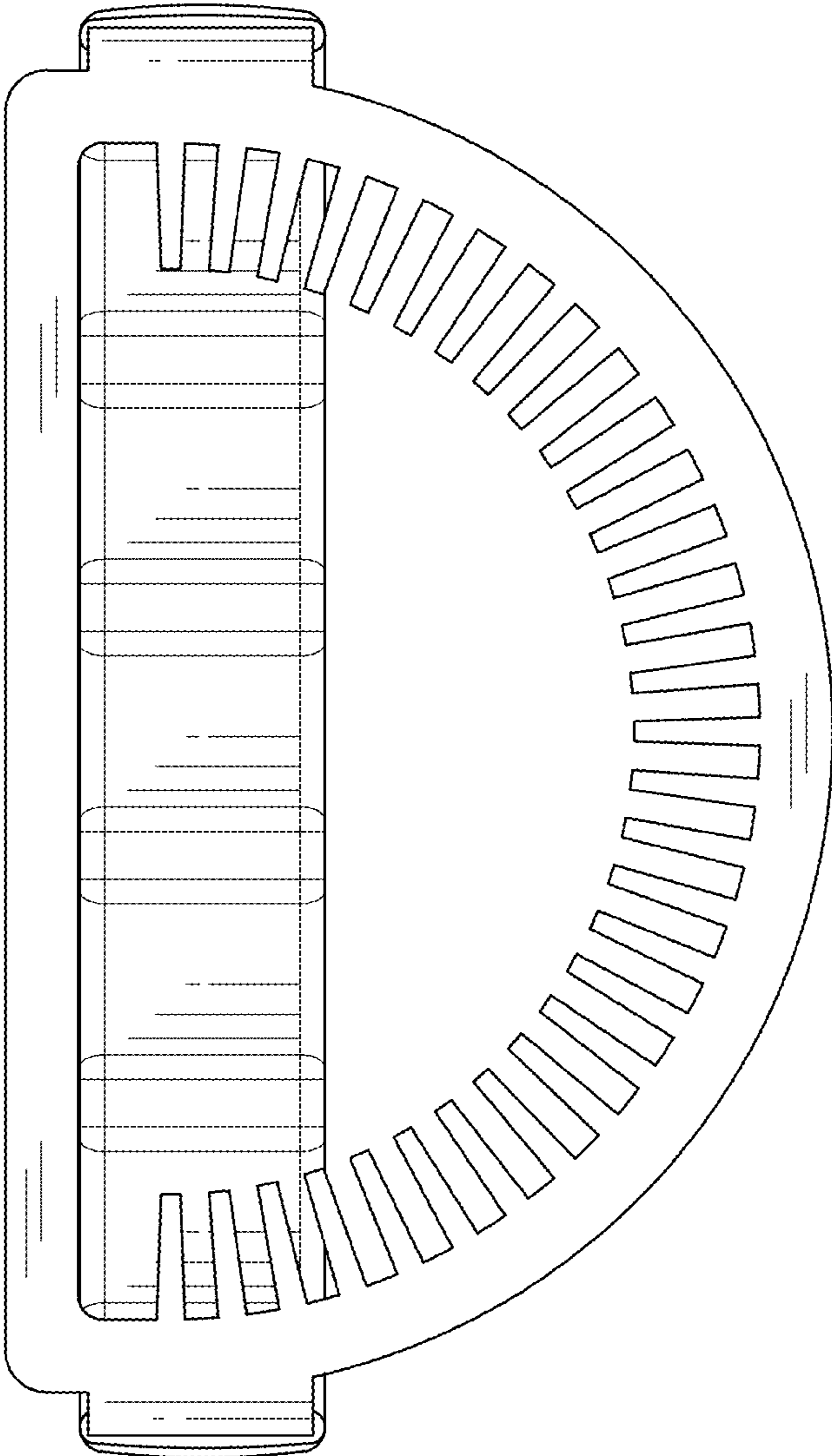


FIG. 6

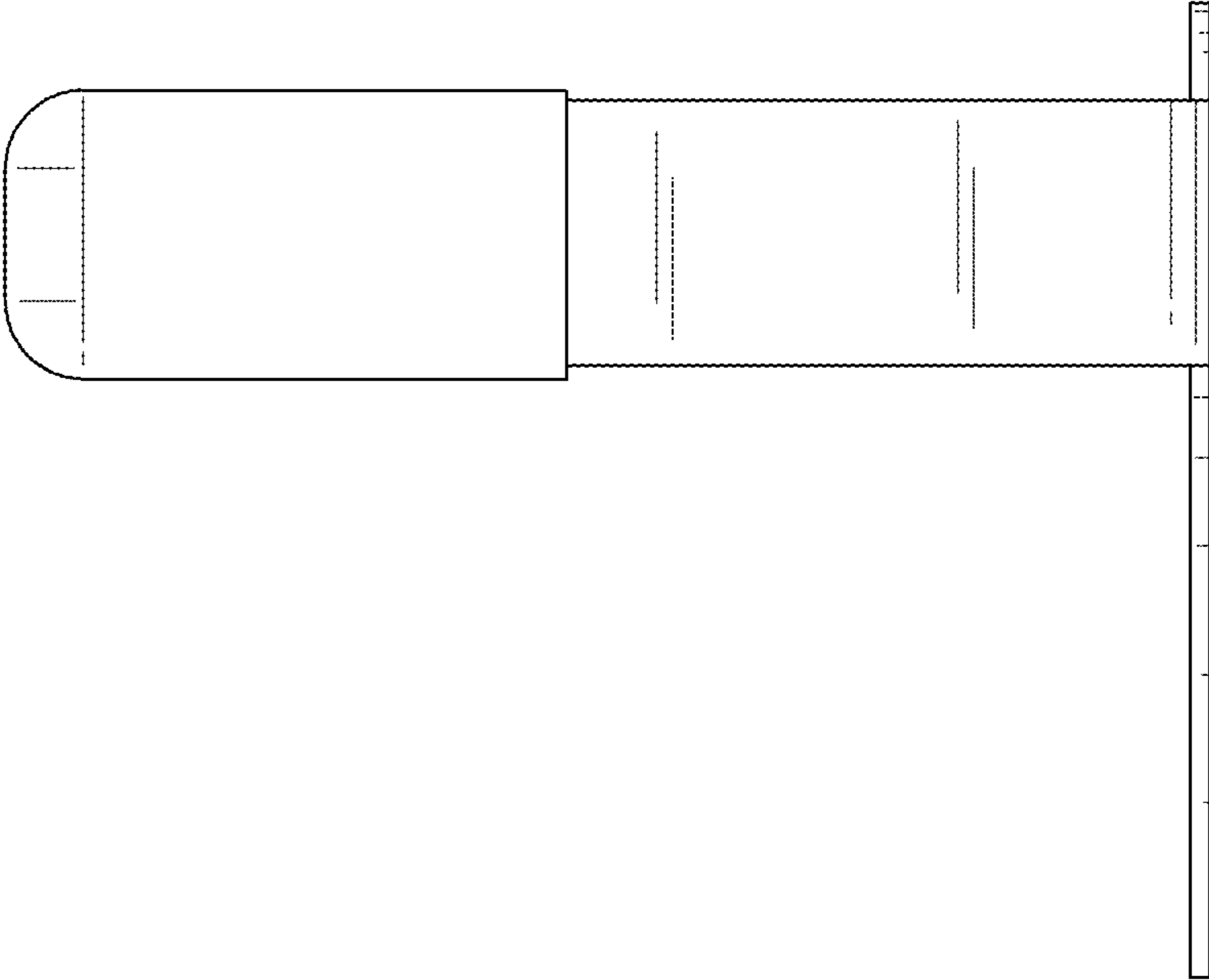


FIG. 7