



US00D689336S

(12) **United States Design Patent**
Slocumb et al.

(10) **Patent No.:** **US D689,336 S**

(45) **Date of Patent:** **** Sep. 10, 2013**

(54) **DRESSING CONTAINER**

(75) Inventors: **Heidi Ann Slocumb**, Fountain Valley,
CA (US); **Huy Kha Nguyen**, Anaheim,
CA (US)

(73) Assignee: **Evrholder Products, LLC**, Anaheim,
CA (US)

(**) Term: **14 Years**

(21) Appl. No.: **29/416,076**

(22) Filed: **Mar. 18, 2012**

(51) **LOC (9) Cl.** **07-06**

(52) **U.S. Cl.**
USPC **D7/590**; D9/529; D9/565; D9/571;
D9/449; D9/453

(58) **Field of Classification Search**
USPC D7/590, 598; D9/529, 565, 571,
D9/522, 449, 453; 215/382-400, 669-675,
215/379

See application file for complete search history.

(56) **References Cited**

U.S. PATENT DOCUMENTS

D69,486	S	*	2/1926	Braun	D9/545
5,141,138	A	*	8/1992	Odet et al.	215/235
RE41,055	E	*	12/2009	Choke-arpornchai et al.	D9/522
D657,258	S	*	4/2012	Geeraert et al.	D9/565
2006/0186078	A1	*	8/2006	Ziegenhorn	215/237

* cited by examiner

Primary Examiner — Terry Wallace

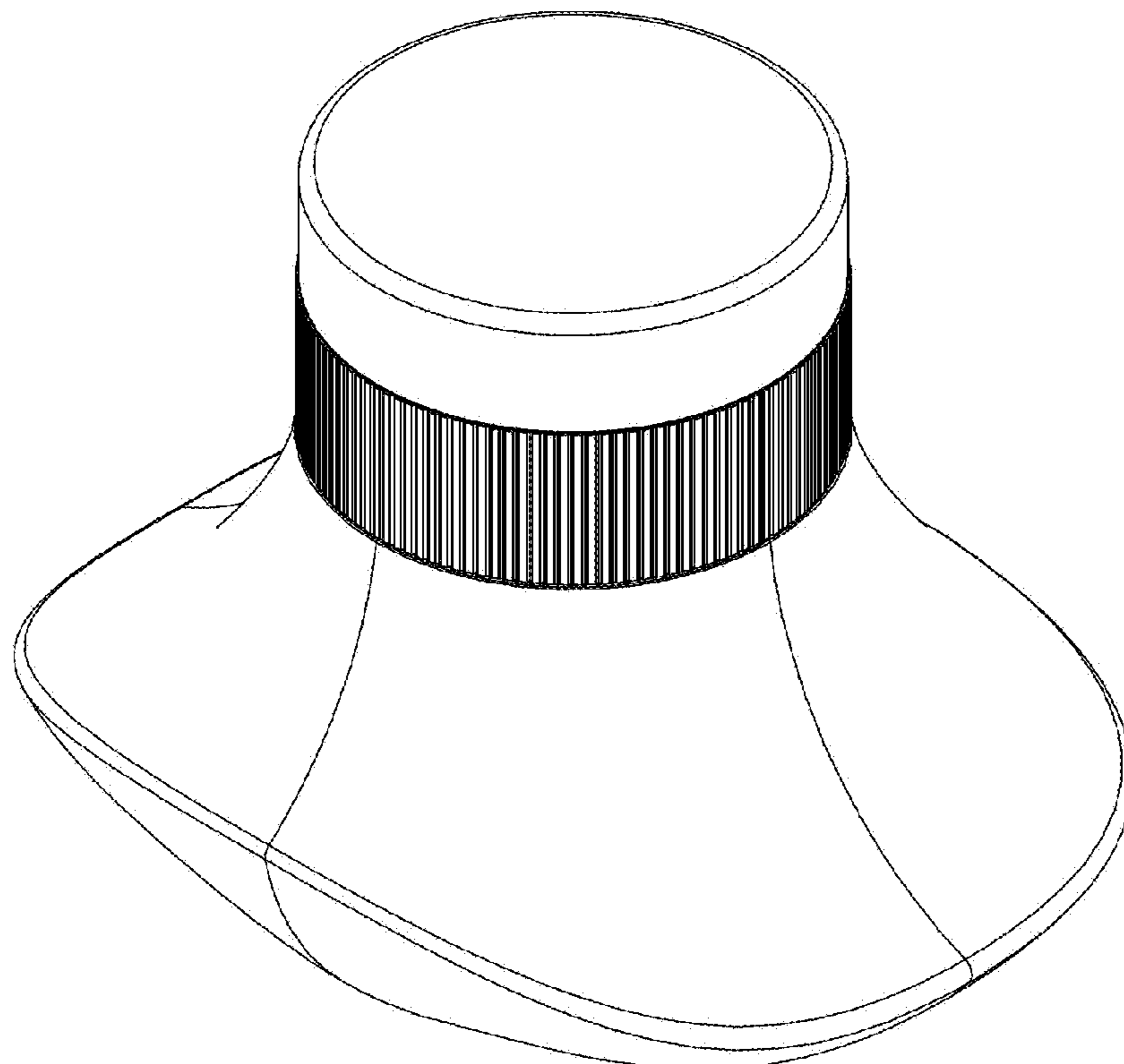
(57) **CLAIM**

The ornamental design for a dressing container, as shown and described.

DESCRIPTION

FIG. 1 illustrates a top view of the claimed design for a dressing container;
FIG. 2 illustrates a front view thereof;
FIG. 3 illustrates a left-side view thereof;
FIG. 4 illustrates a right-side view thereof;
FIG. 5 illustrates a rear view thereof;
FIG. 6 illustrates a bottom view thereof;
FIG. 7 illustrates a cross-sectional view thereof, taken along line 7-7 of FIG. 3;
FIG. 8 illustrates a perspective view thereof; and,
FIG. 9 illustrates a view with the cap pulled back thereof.

1 Claim, 9 Drawing Sheets



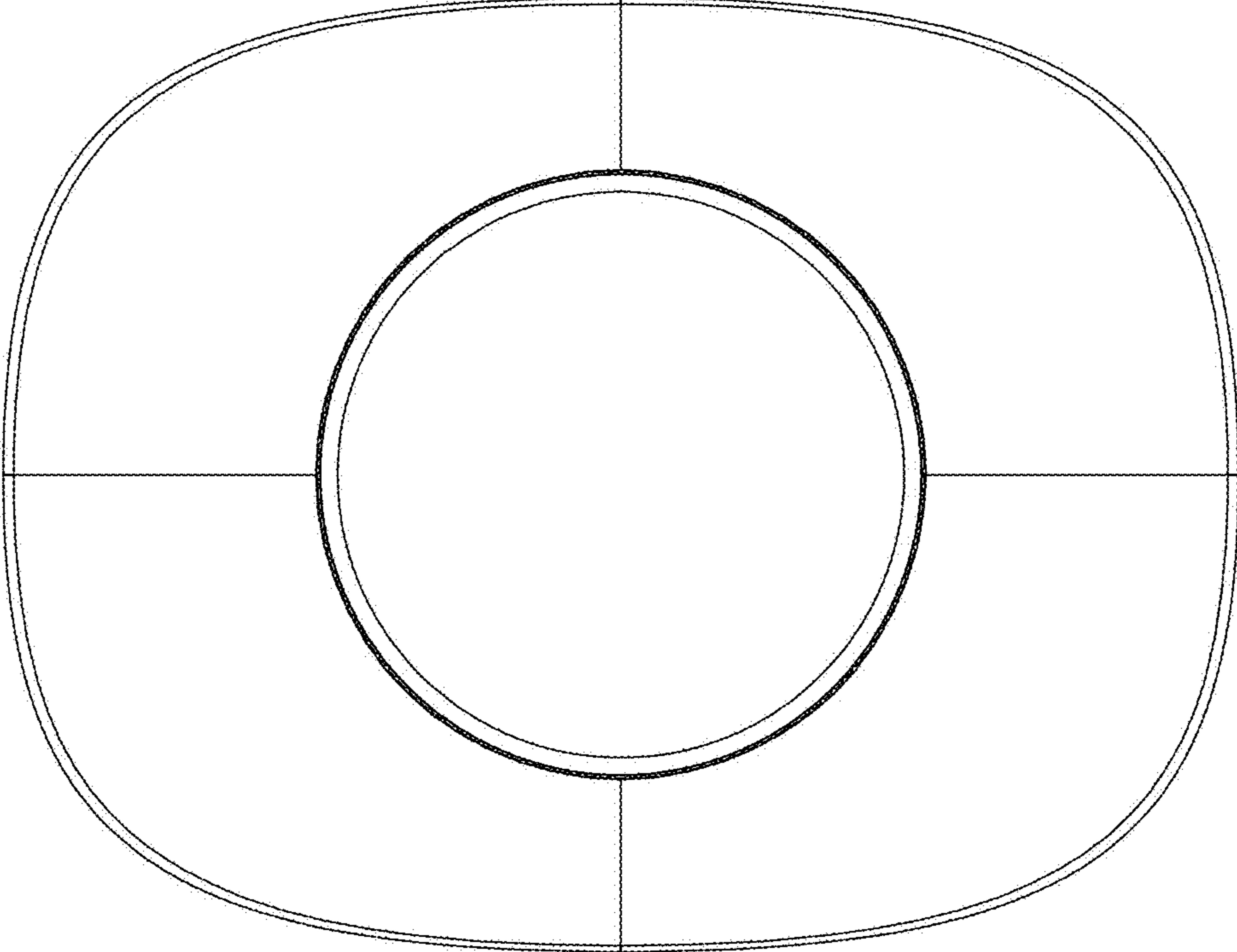


FIG 1

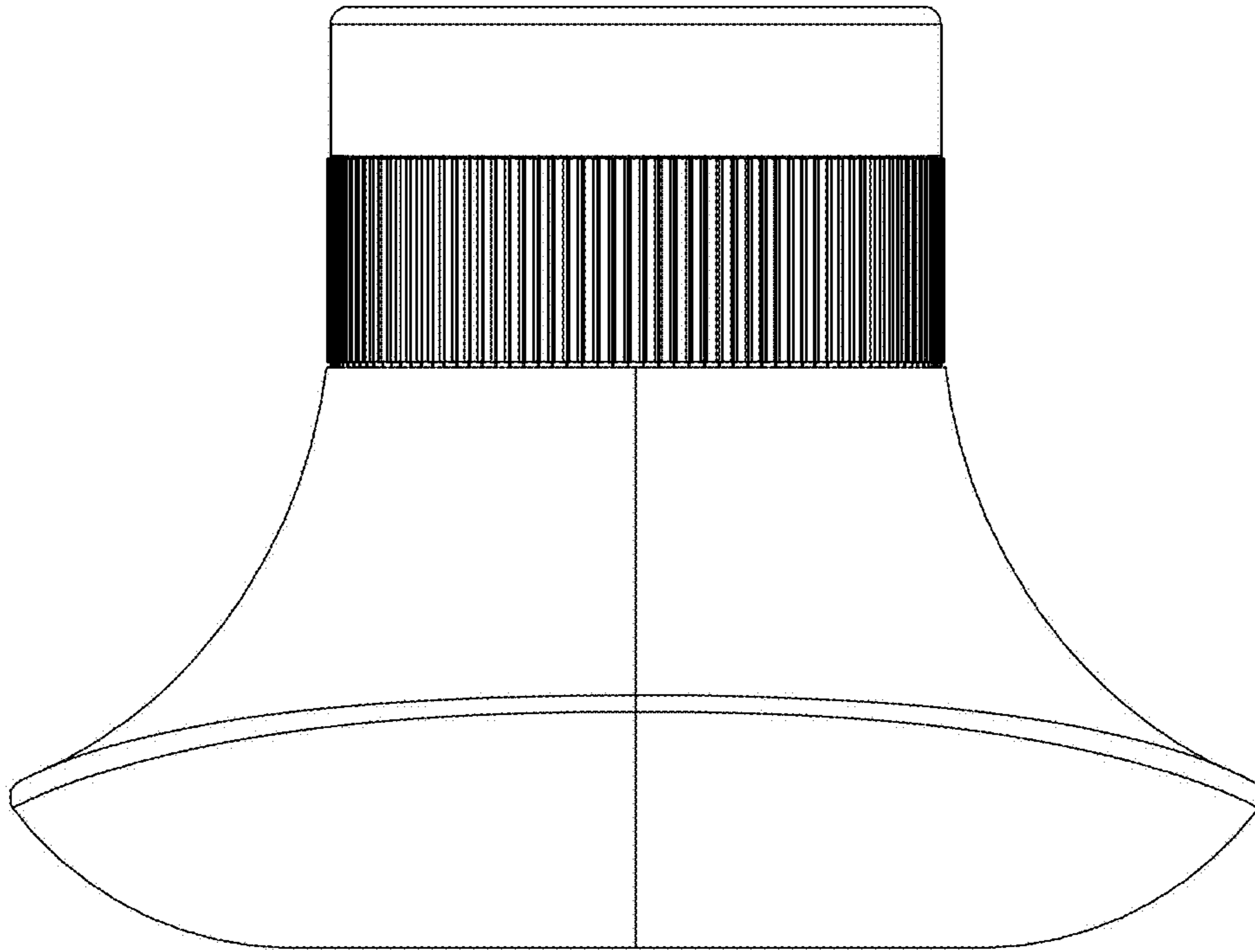


FIG 2

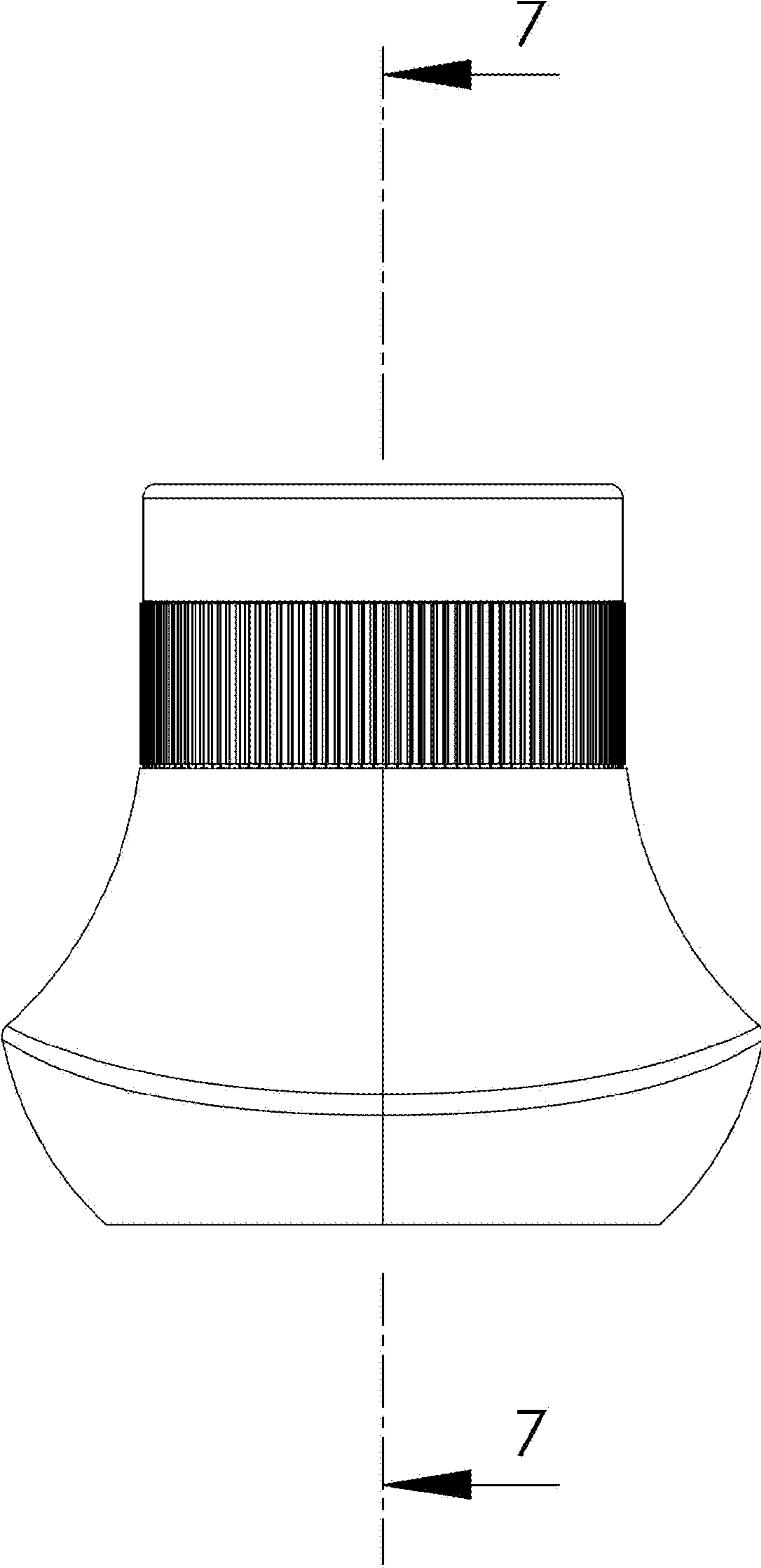


FIG 3

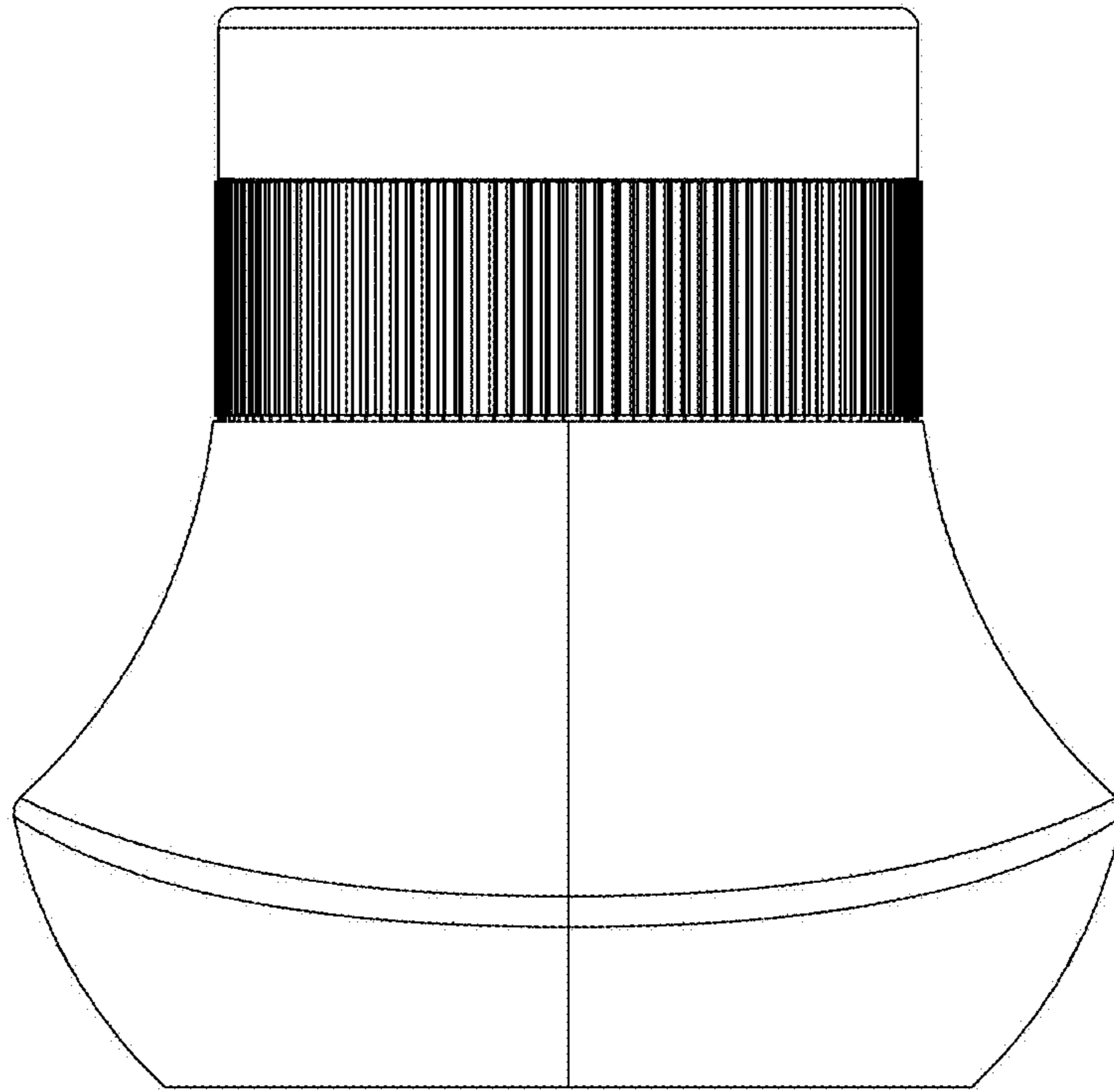


FIG 4

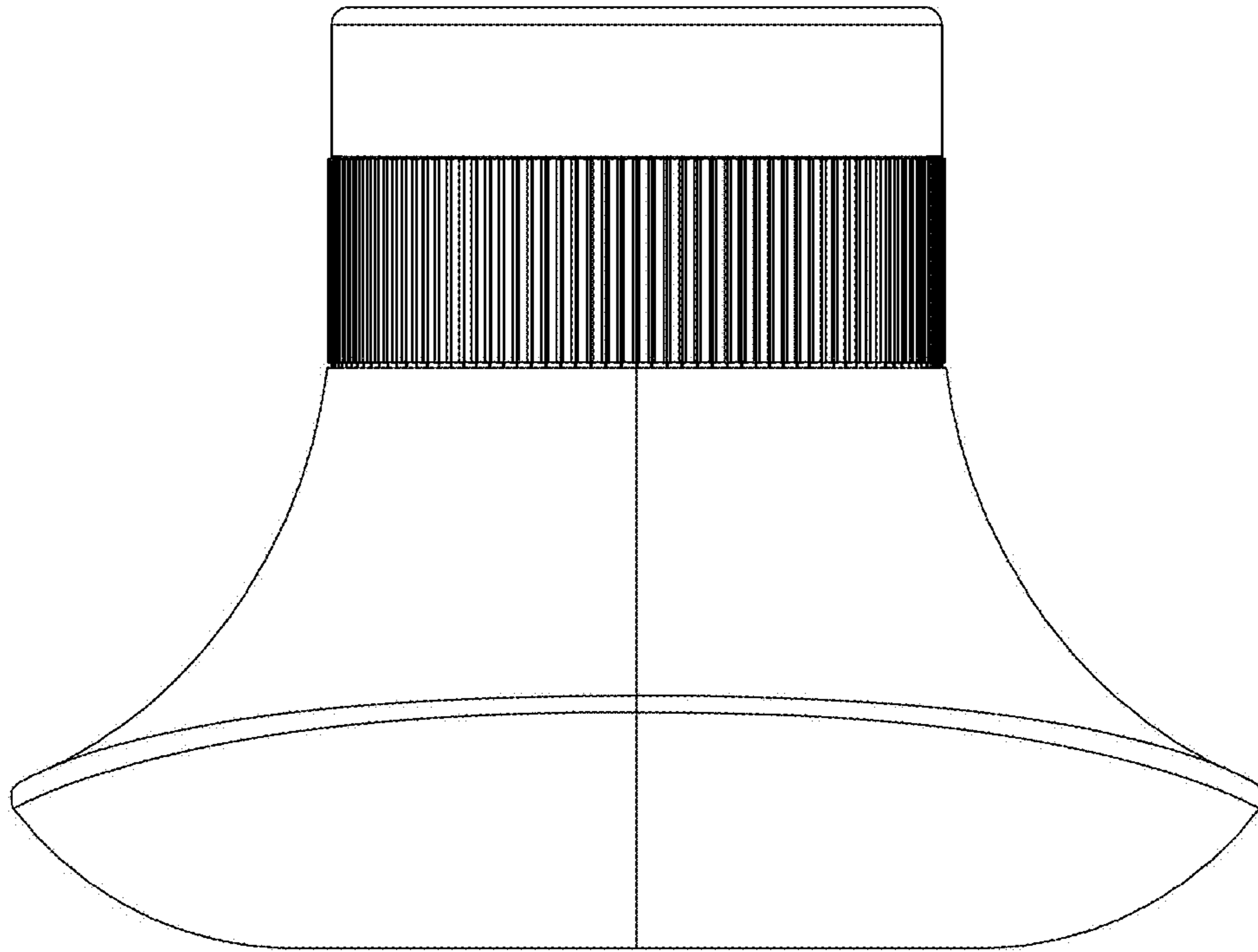


FIG 5

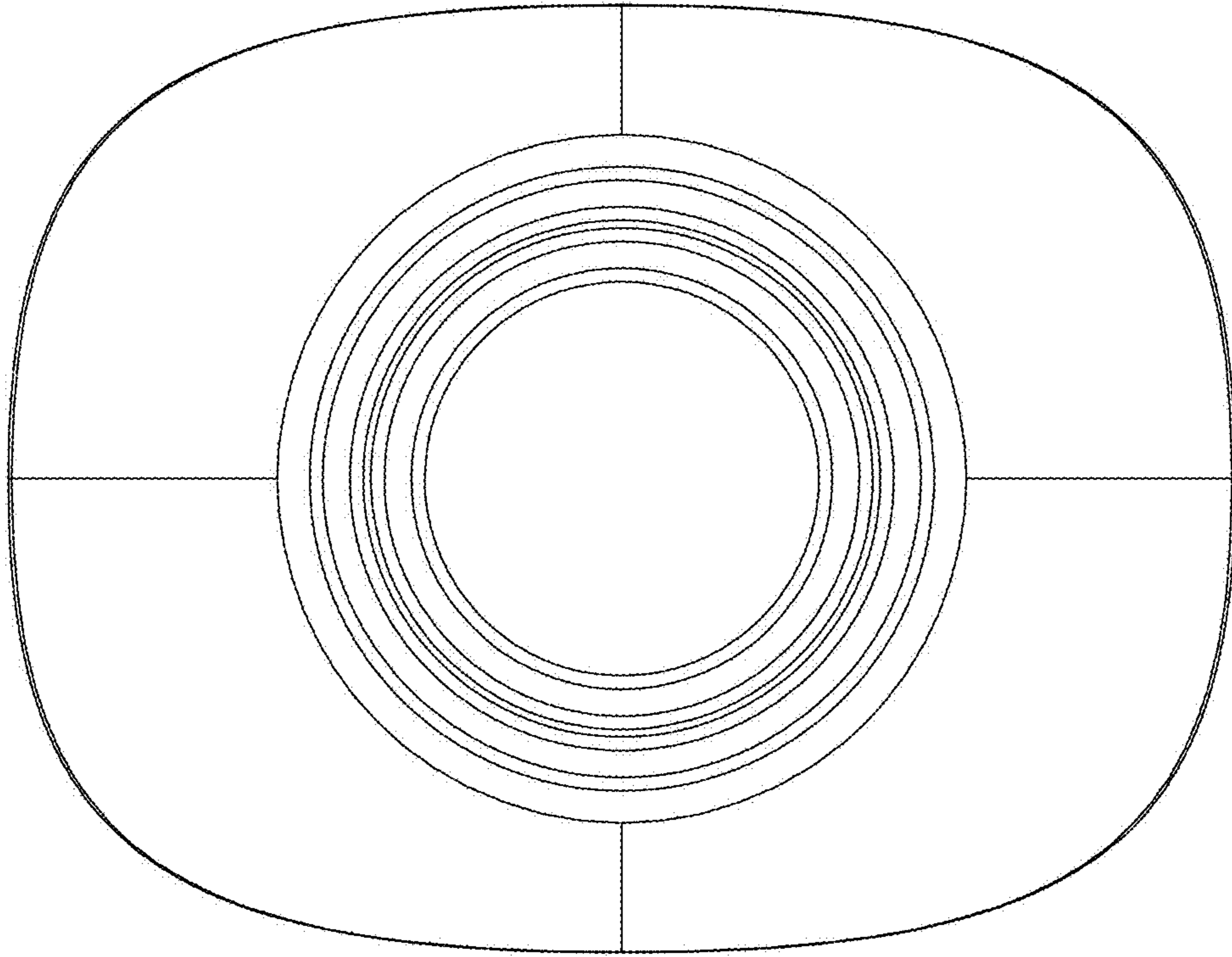


FIG 6

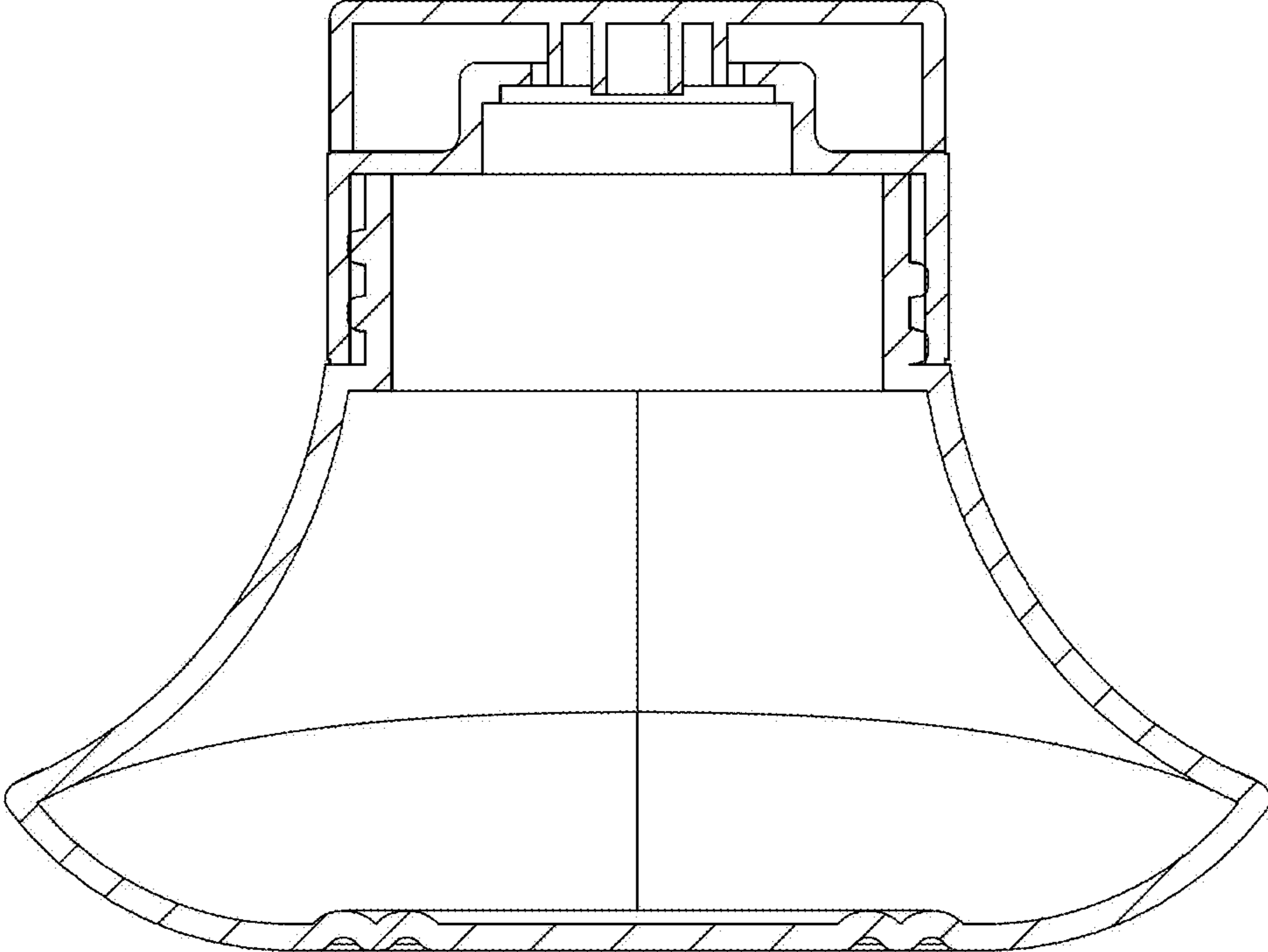


FIG 7

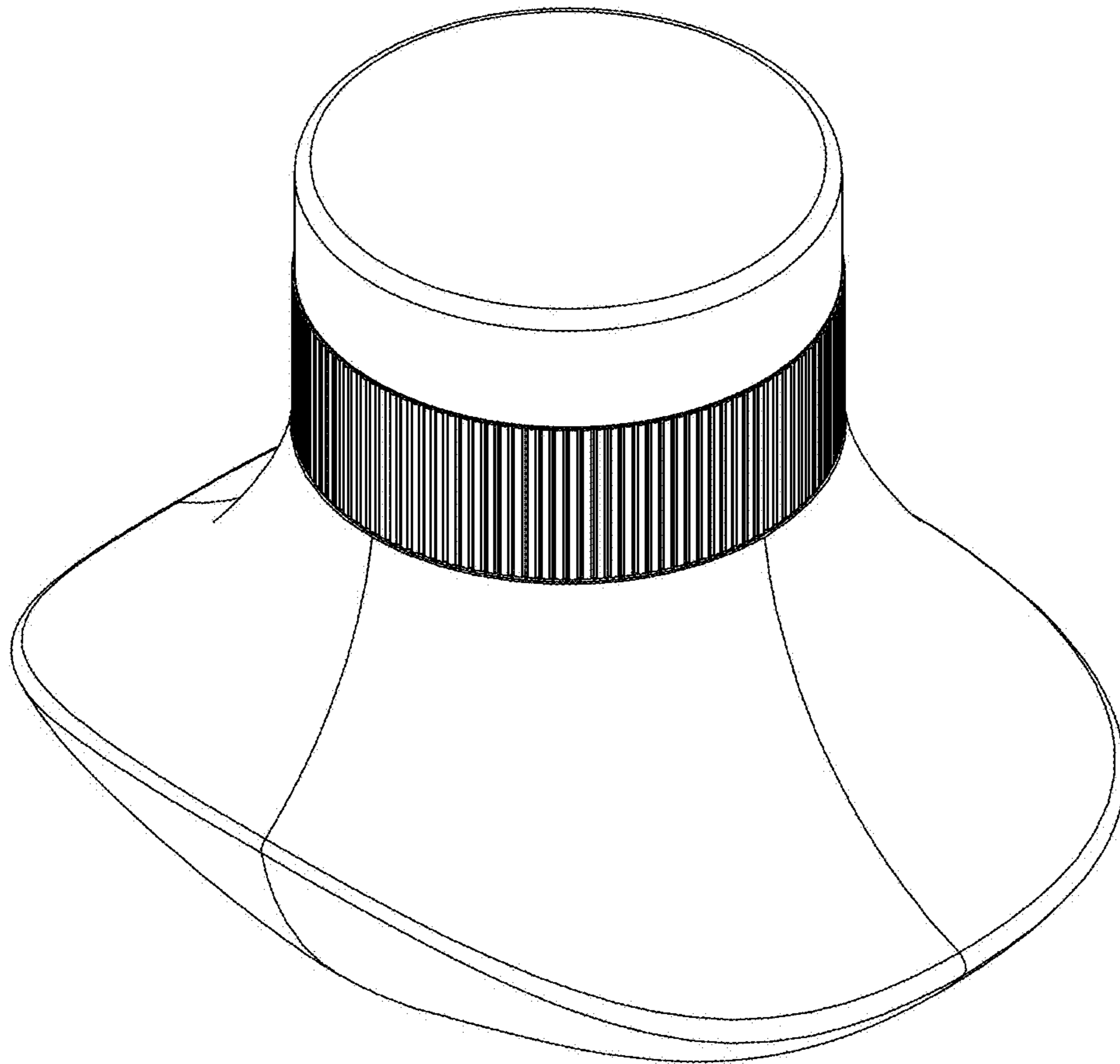


FIG 8

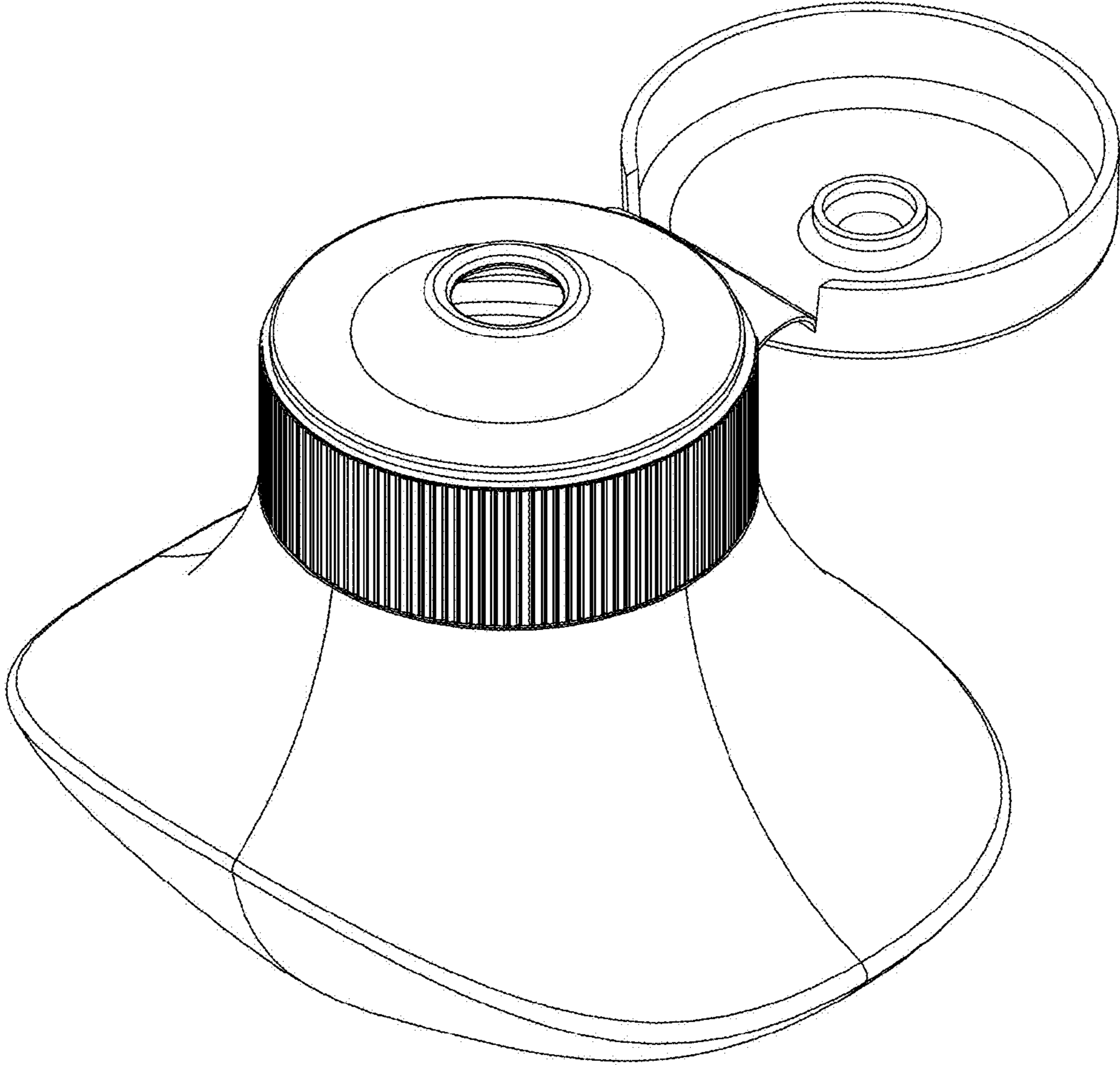


FIG 9