



US00D689331S

(12) **United States Design Patent**
Staton

(10) **Patent No.:** **US D689,331 S**

(45) **Date of Patent:** **** Sep. 10, 2013**

(54) **BOTTLE**

(75) Inventor: **John M. Staton**, Fairport, NY (US)

(73) Assignee: **Nalge Nunc International Corporation**, Rochester, NY (US)

(**) Term: **14 Years**

(21) Appl. No.: **29/424,214**

(22) Filed: **Jun. 8, 2012**

(51) **LOC (9) Cl.** **07-01**

(52) **U.S. Cl.**
USPC **D7/510; D7/511; D9/530**

(58) **Field of Classification Search**
USPC D7/523, 510, 511, 509, 608; D9/556,
D9/503, 530, 541, 551, 440, 443, 445;
D24/197; 220/737, 703, 592.16, 592.17,
220/710.5; 210/120, 275; 215/384
See application file for complete search history.

(56) **References Cited**

U.S. PATENT DOCUMENTS

588,871	A *	8/1897	Miller et al.	229/179
D294,462	S *	3/1988	Ota et al.	D9/556
5,545,315	A *	8/1996	Lonneman	210/120
D391,448	S *	3/1998	Winer et al.	D7/510
D398,478	S *	9/1998	Spencer	D7/510
D412,087	S *	7/1999	Spencer	D7/510
D426,164	S *	6/2000	Gans et al.	D9/541
D445,339	S *	7/2001	Bazlur	D9/538
D471,455	S *	3/2003	Laveault et al.	D9/443
D507,971	S *	8/2005	Harris et al.	D9/516
D546,698	S *	7/2007	Riou	D9/541
D586,184	S *	2/2009	Miller et al.	D7/511
D626,837	S *	11/2010	Meyers et al.	D9/443
D652,731	S *	1/2012	Pritchett et al.	D9/538

D654,763	S	2/2012	George et al.	
8,162,162	B2 *	4/2012	Hata et al.	215/382
8,245,763	B2 *	8/2012	Zhang et al.	165/80.3
8,252,224	B2	8/2012	Blain	
D674,661	S *	1/2013	Shevin-Sandy	D7/507
D683,590	S *	6/2013	Austin	D7/510
2010/0288758	A1	11/2010	Blain	

OTHER PUBLICATIONS

Camelbak, Podium Chill 21 oz. Insulated Sport Bottle With Jet Valve, retrieved from <http://www.camelbak.com/Sports-Recreation/Bottles/2012-Podium-Chill-21-oz.aspx> on Sep. 4, 2012 (1 page).

* cited by examiner

Primary Examiner — Marianne Pandozzi
(74) *Attorney, Agent, or Firm* — Wood, Herron & Evans, LLP

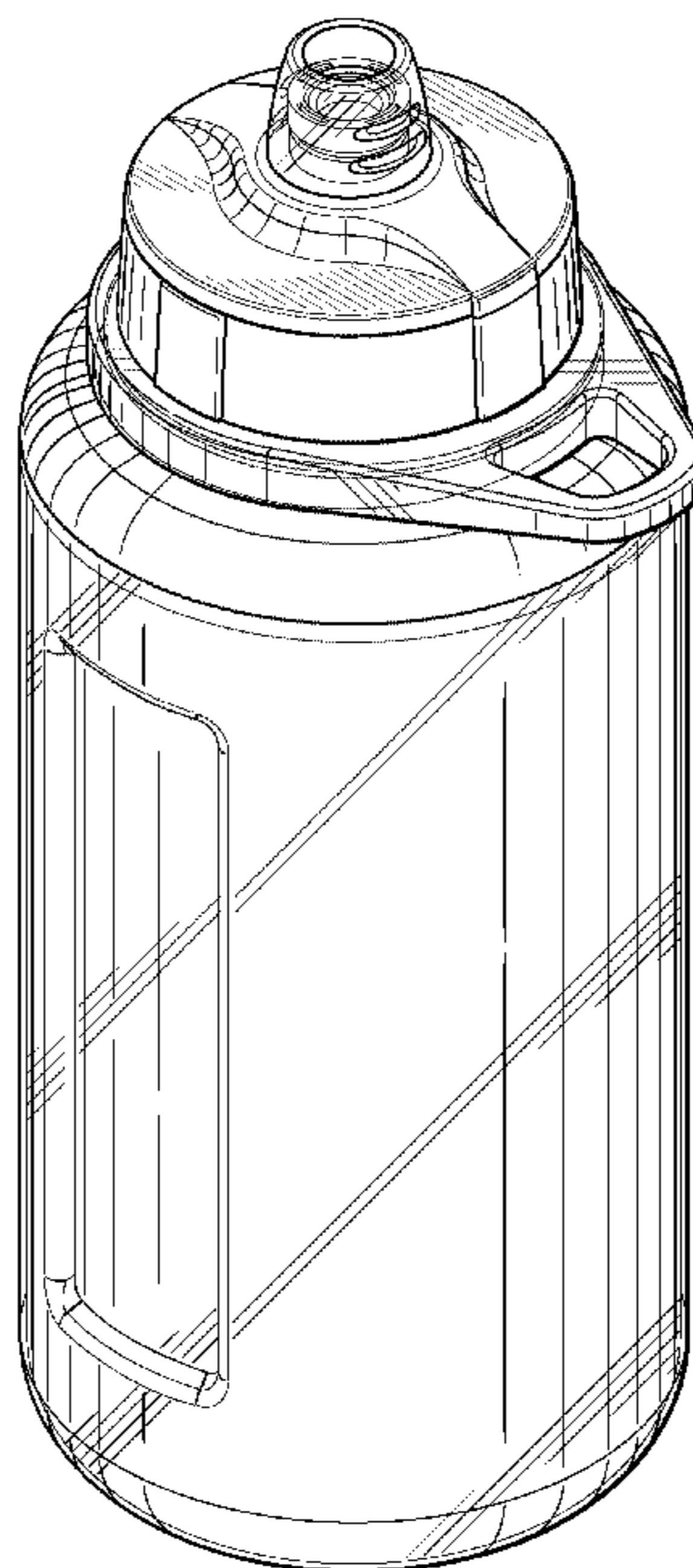
(57) **CLAIM**

The ornamental design for a bottle, as shown and described.

DESCRIPTION

FIG. 1 is a front perspective view of a bottle showing my new design;
FIG. 2 is a front view thereof;
FIG. 3 is a right side view thereof;
FIG. 4 is a left side view thereof;
FIG. 5 is an enlarged top plan view thereof;
FIG. 6 is an enlarged bottom plan view thereof; and,
FIG. 7 is a sectional view taking along line 7-7 of FIG. 3.
The broken lines in FIG. 7 define the bounds of the claimed design and form no part of the claimed design.

1 Claim, 6 Drawing Sheets



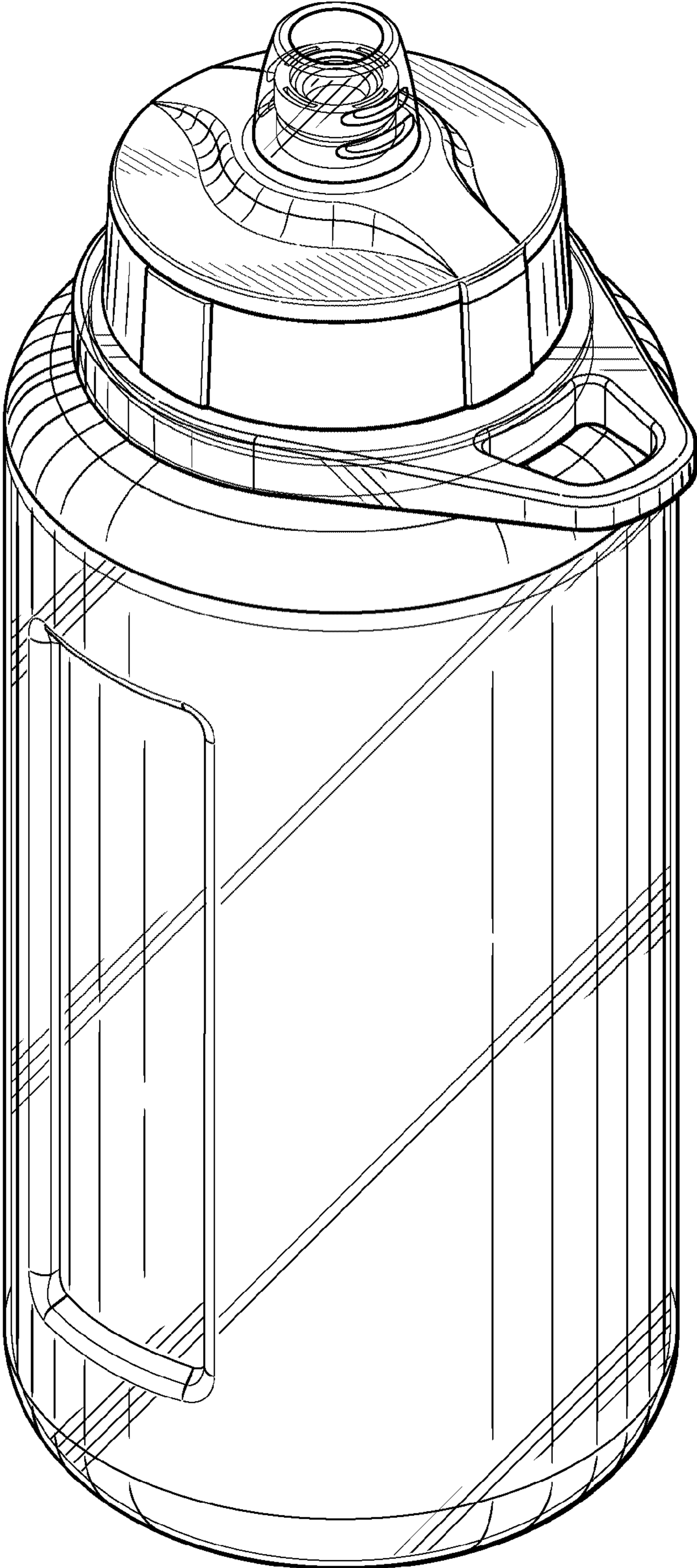


FIG. 1

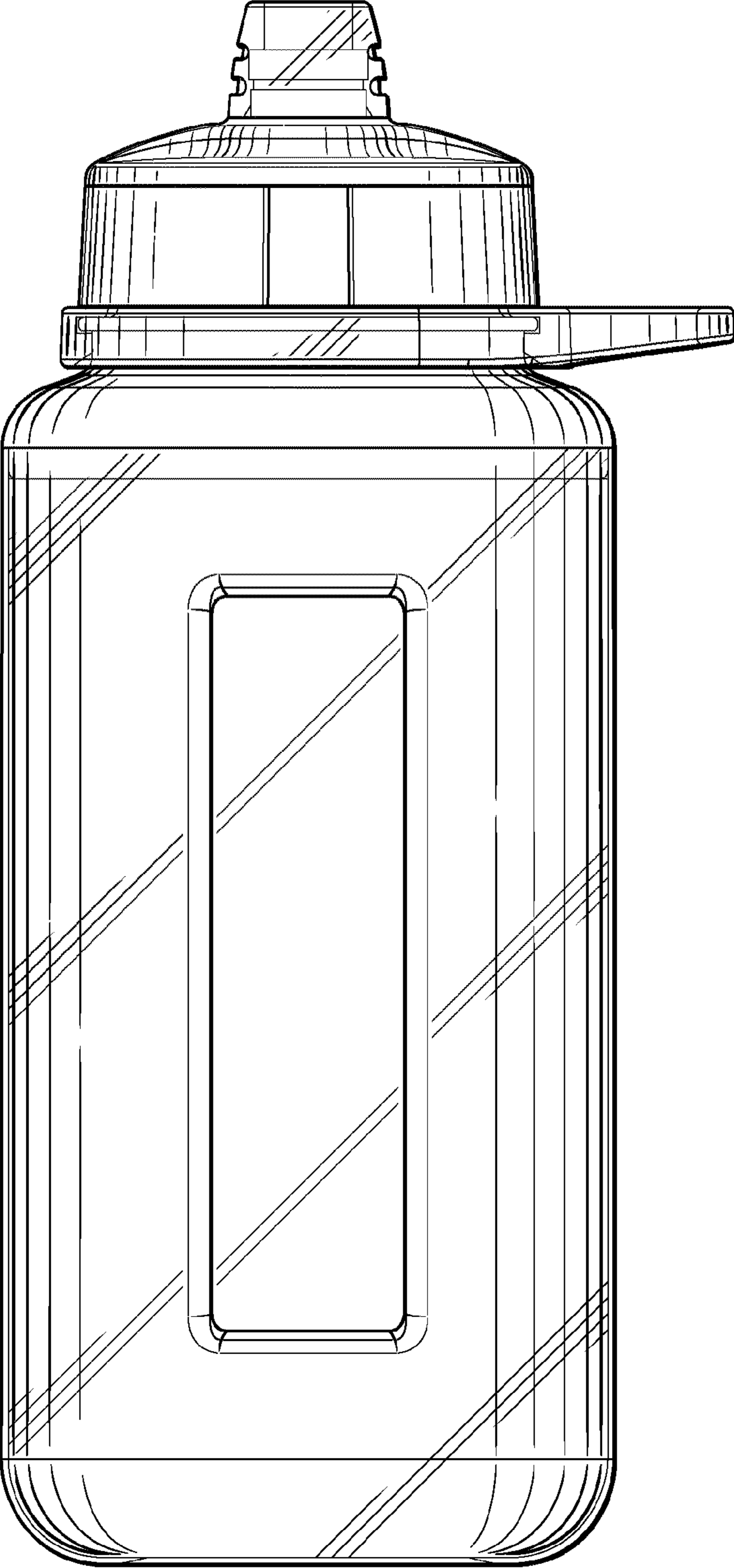
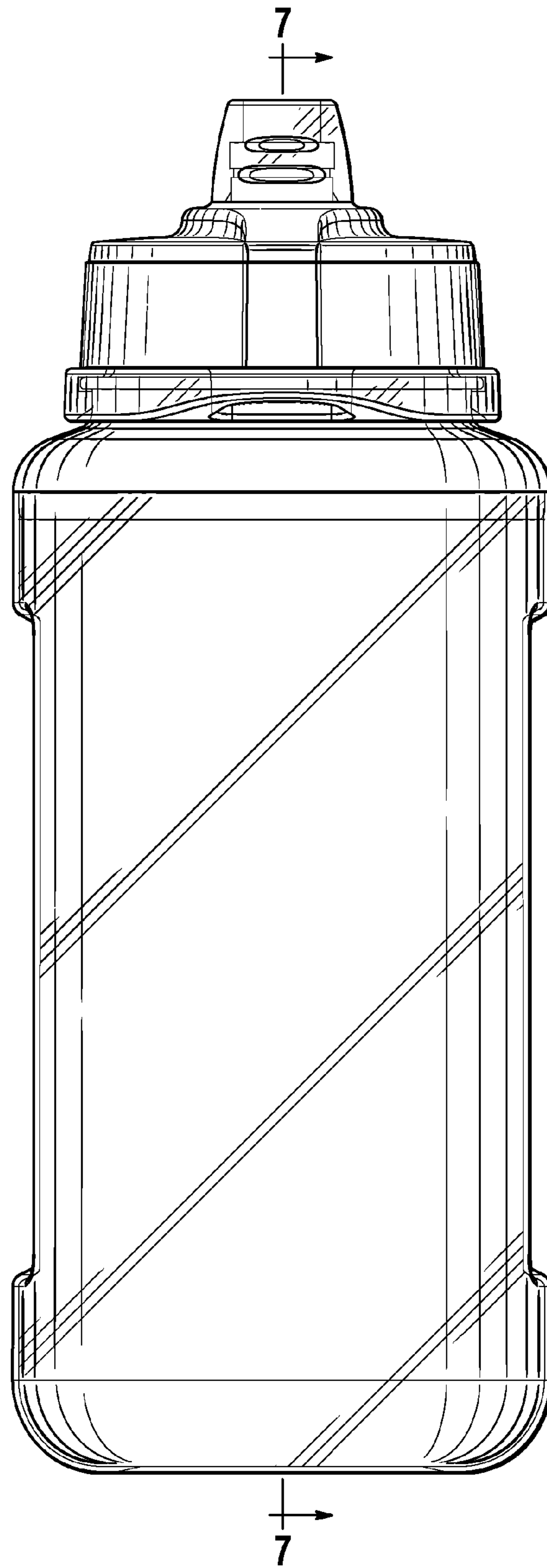


FIG. 2



7
FIG. 3

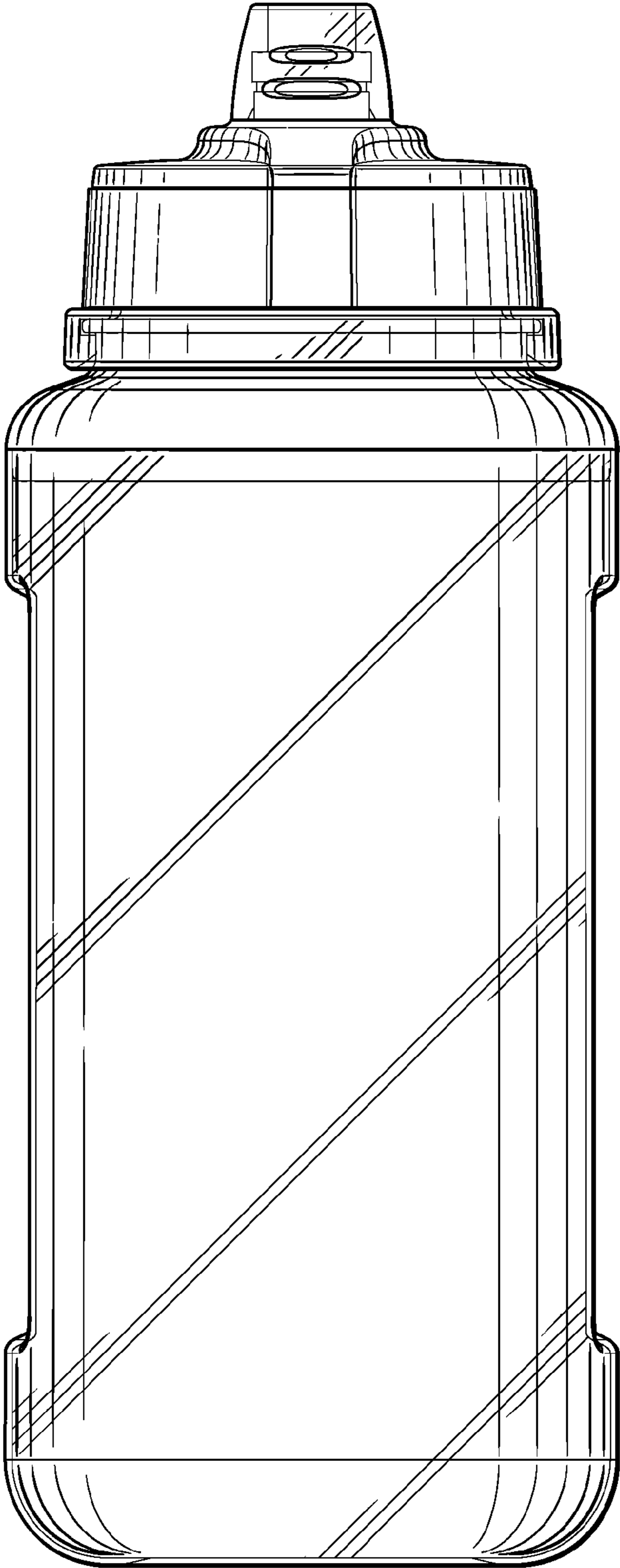


FIG. 4

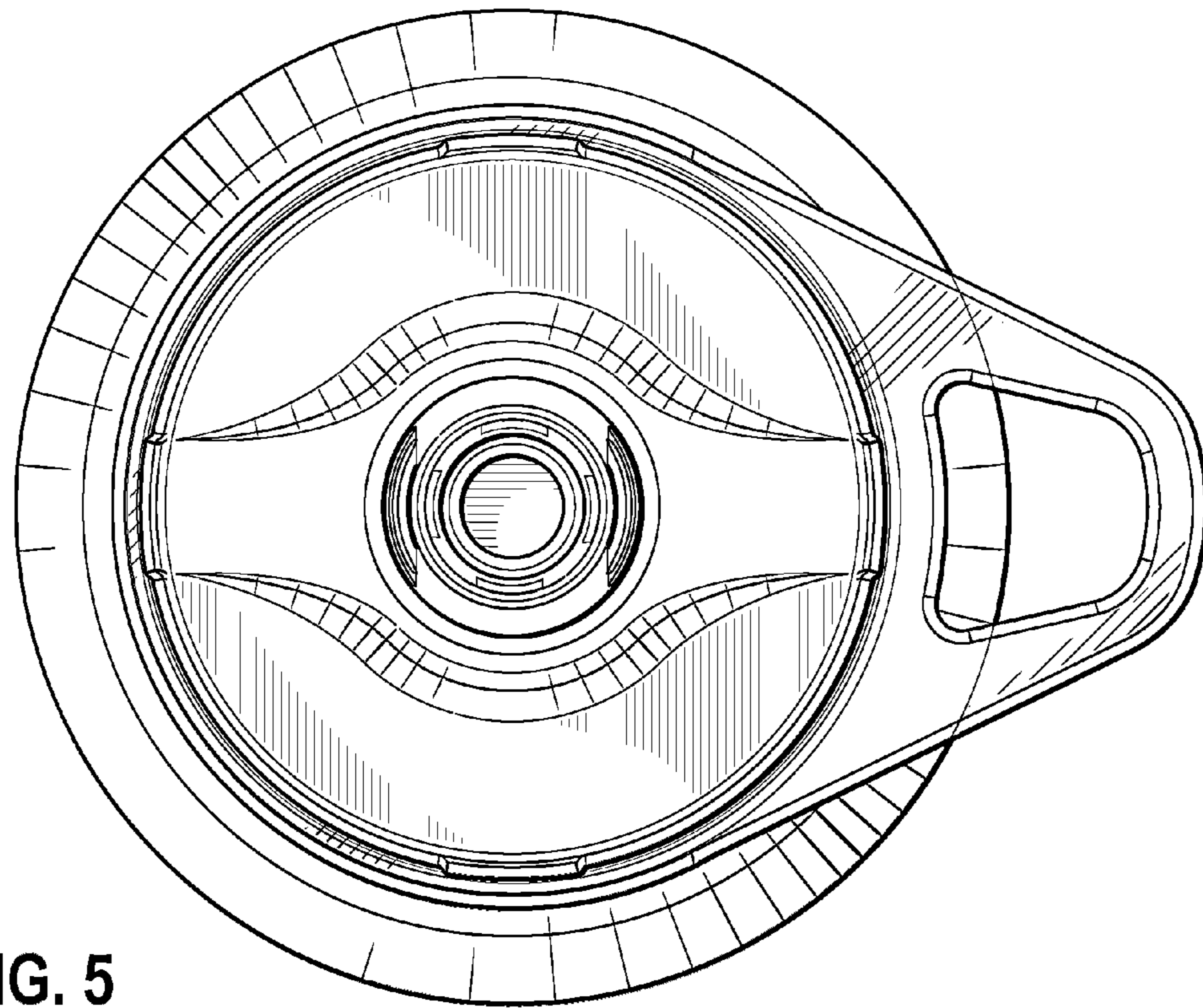


FIG. 5

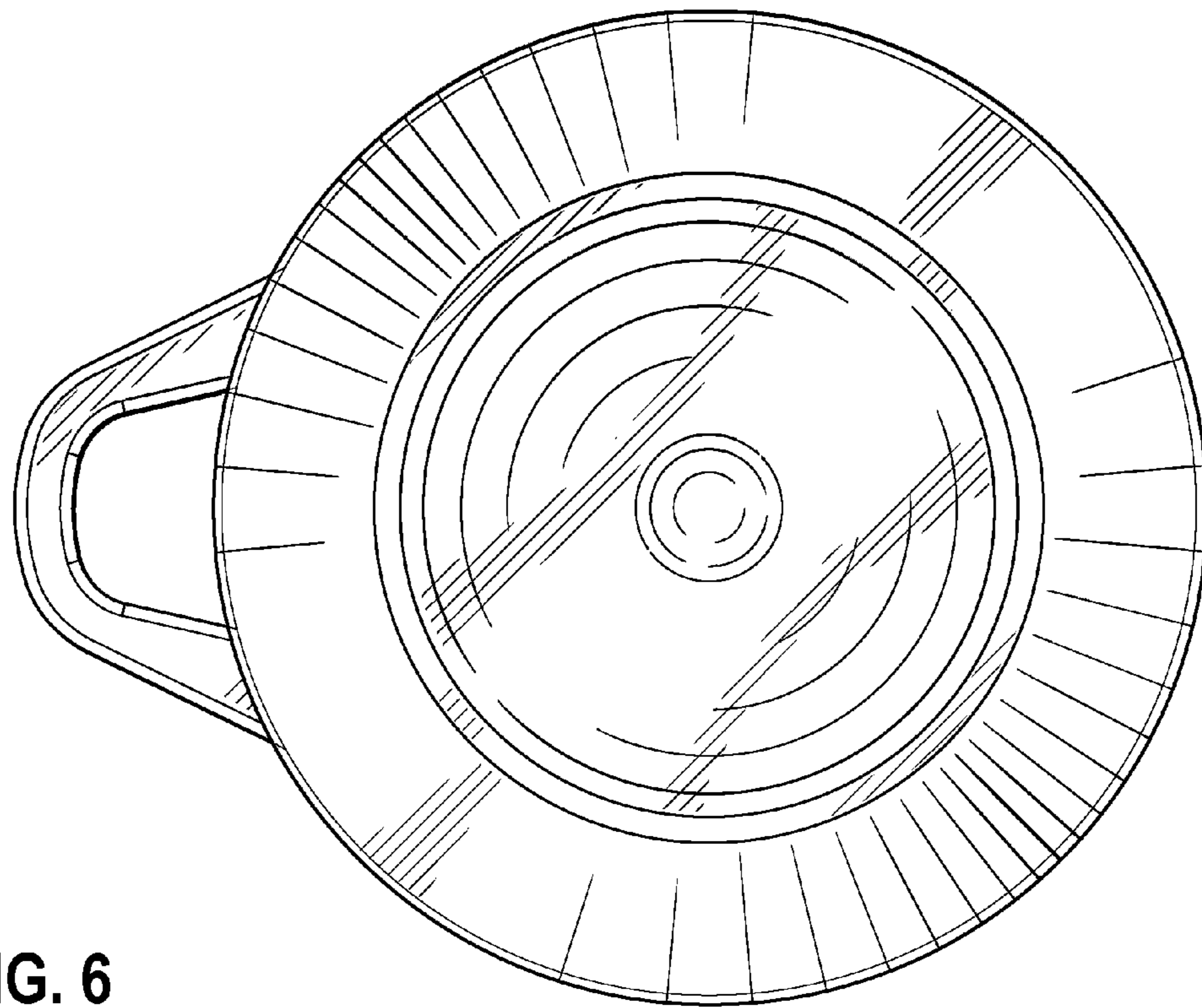


FIG. 6

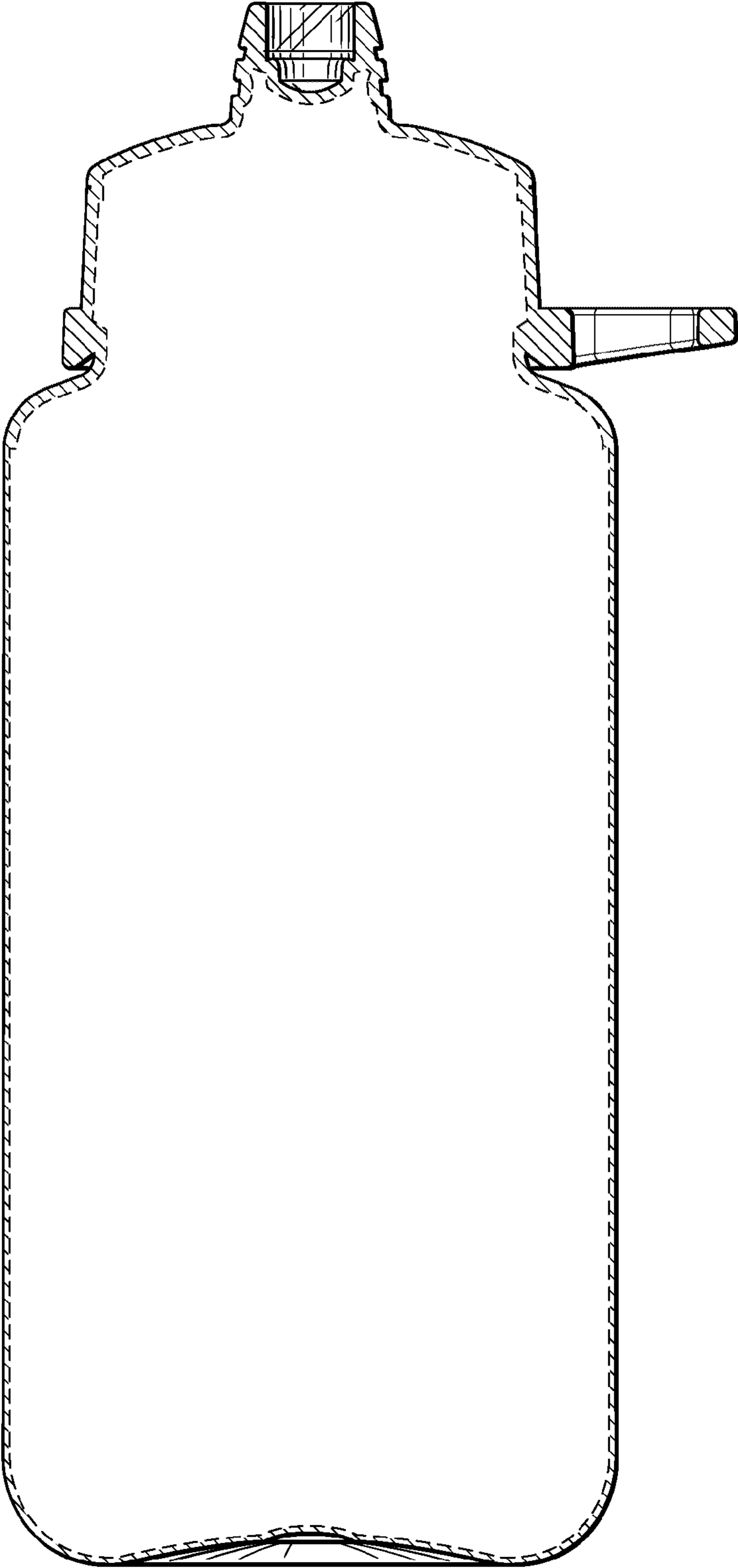


FIG. 7