



US00D689330S

(12) **United States Design Patent**  
**Lucas**

(10) **Patent No.:** **US D689,330 S**

(45) **Date of Patent:** **\*\* Sep. 10, 2013**

(54) **KITCHEN KNIFE**

(71) Applicant: **Kai R&D Center Co., Ltd.**, Gifu-ken  
(JP)

(72) Inventor: **Tommie Lucas**, Tualatin, OR (US)

(73) Assignee: **Kai & R&D Center Co., Ltd.** (JP)

(\*\*) Term: **14 Years**

(21) Appl. No.: **29/433,605**

(22) Filed: **Oct. 2, 2012**

(51) **LOC (9) Cl.** ..... **07-04**

(52) **U.S. Cl.**  
USPC ..... **D7/401.2; D7/649**

(58) **Field of Classification Search**  
USPC ..... D7/368, 393–395, 401.2, 642–646,  
D7/649–654, 660–664, 669, 675–676, 683,  
D7/688–692, 695–696; D8/25, 83, 99, 107,  
D8/303; D22/118; 30/137, 141–143, 147–150,  
30/322–327, 329, 335, 340, 342–344; 416/70 R  
See application file for complete search history.

(56) **References Cited**

U.S. PATENT DOCUMENTS

2,492,096	A	*	12/1949	Juengst	.....	30/344
3,114,973	A	*	12/1963	Kennedy	.....	30/342
D473,430	S	*	4/2003	Fedor et al.	.....	D7/649
D483,643	S	*	12/2003	Chien	.....	D8/107
D539,083	S	*	3/2007	Molayem	.....	D7/393
D546,134	S	*	7/2007	Leuze	.....	D7/649
D551,518	S	*	9/2007	Leuze	.....	D7/649
D579,731	S	*	11/2008	Ono	.....	D7/649
D658,455	S	*	5/2012	Wang et al.	.....	D7/649
D660,097	S	*	5/2012	Chen	.....	D7/649

D660,098	S	*	5/2012	Chen	.....	D7/649
D661,553	S	*	6/2012	Bauer	.....	D7/649
D678,734	S	*	3/2013	Harris et al.	.....	D7/649

FOREIGN PATENT DOCUMENTS

JP	671177	2/1986
JP	1032229	2/1999

\* cited by examiner

*Primary Examiner* — Ricky Pham

(74) *Attorney, Agent, or Firm* — Fish & Richardson P.C.

(57) **CLAIM**

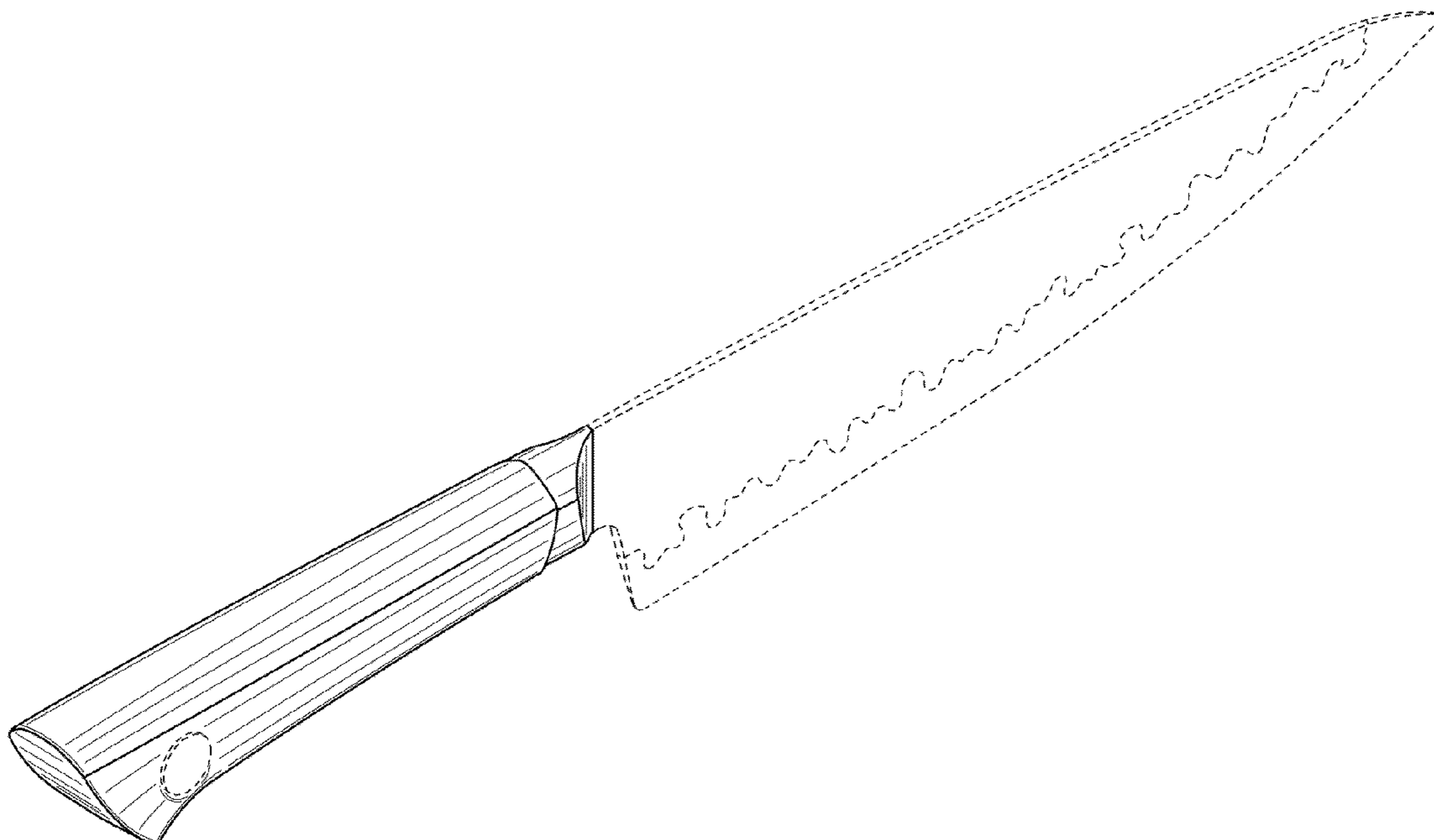
The ornamental design for a kitchen knife, as shown and described.

**DESCRIPTION**

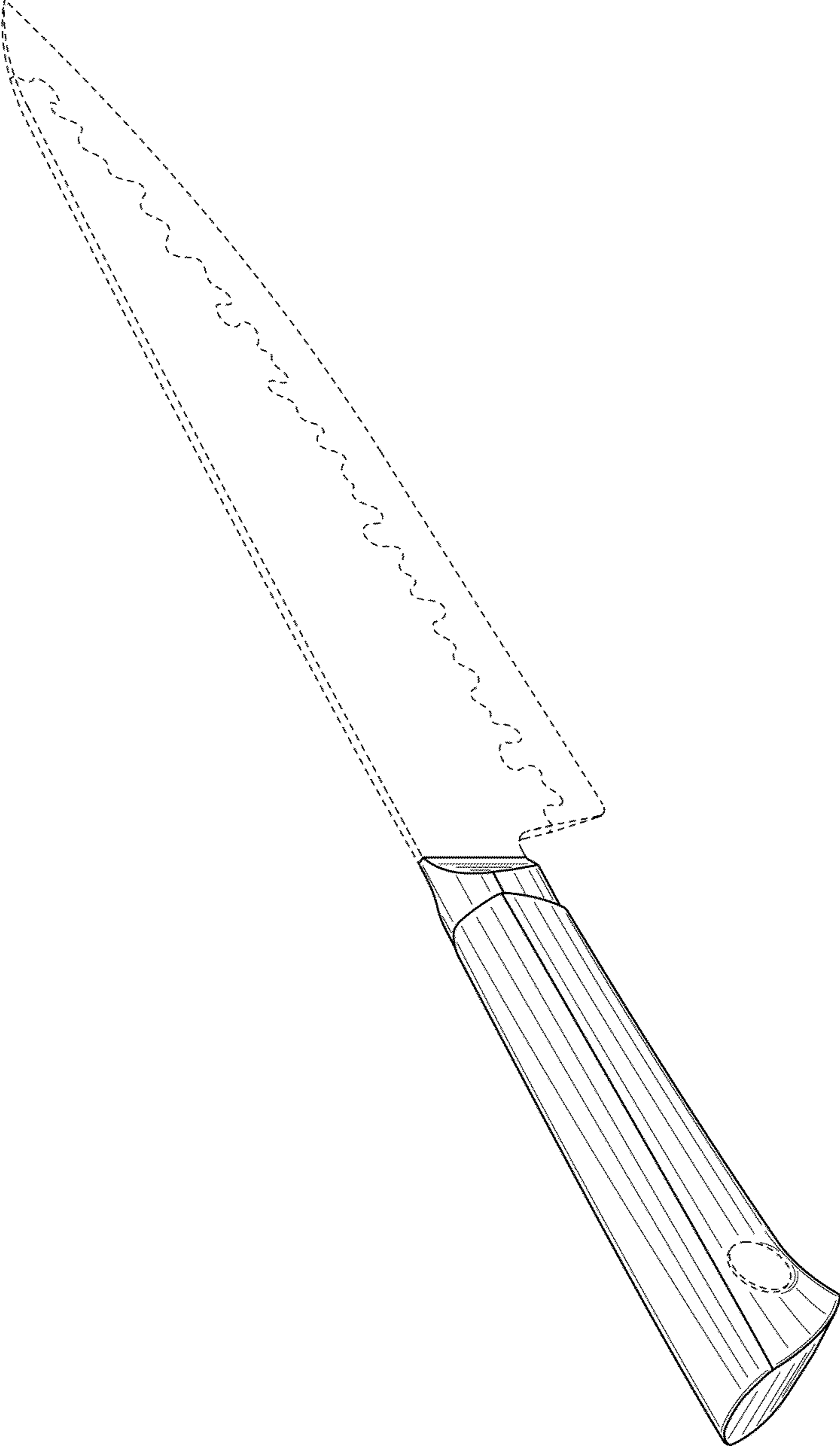
FIG. 1 is a front, top and left side perspective view of a first embodiment of a kitchen knife showing my new design; FIG. 2 is a front view thereof; FIG. 3 is a top plan view thereof; FIG. 4 is an enlarged bottom plan view thereof; FIG. 5 is an enlarged right side view thereof; FIG. 6 is an enlarged left side view thereof; FIG. 7 is a front, top and left side perspective view of a second embodiment of a kitchen knife showing my new design; FIG. 8 is a front view thereof; FIG. 9 is a top plan view thereof; FIG. 10 is an enlarged bottom plan view thereof; FIG. 11 is an enlarged right side view thereof; and, FIG. 12 is an enlarged left side view thereof.

The features shown in broken lines in the drawings depict environmental subject matter only and form no part of the claimed design. The dashed-dotted lines denote the boundary of the claim and form no part of the claimed design.

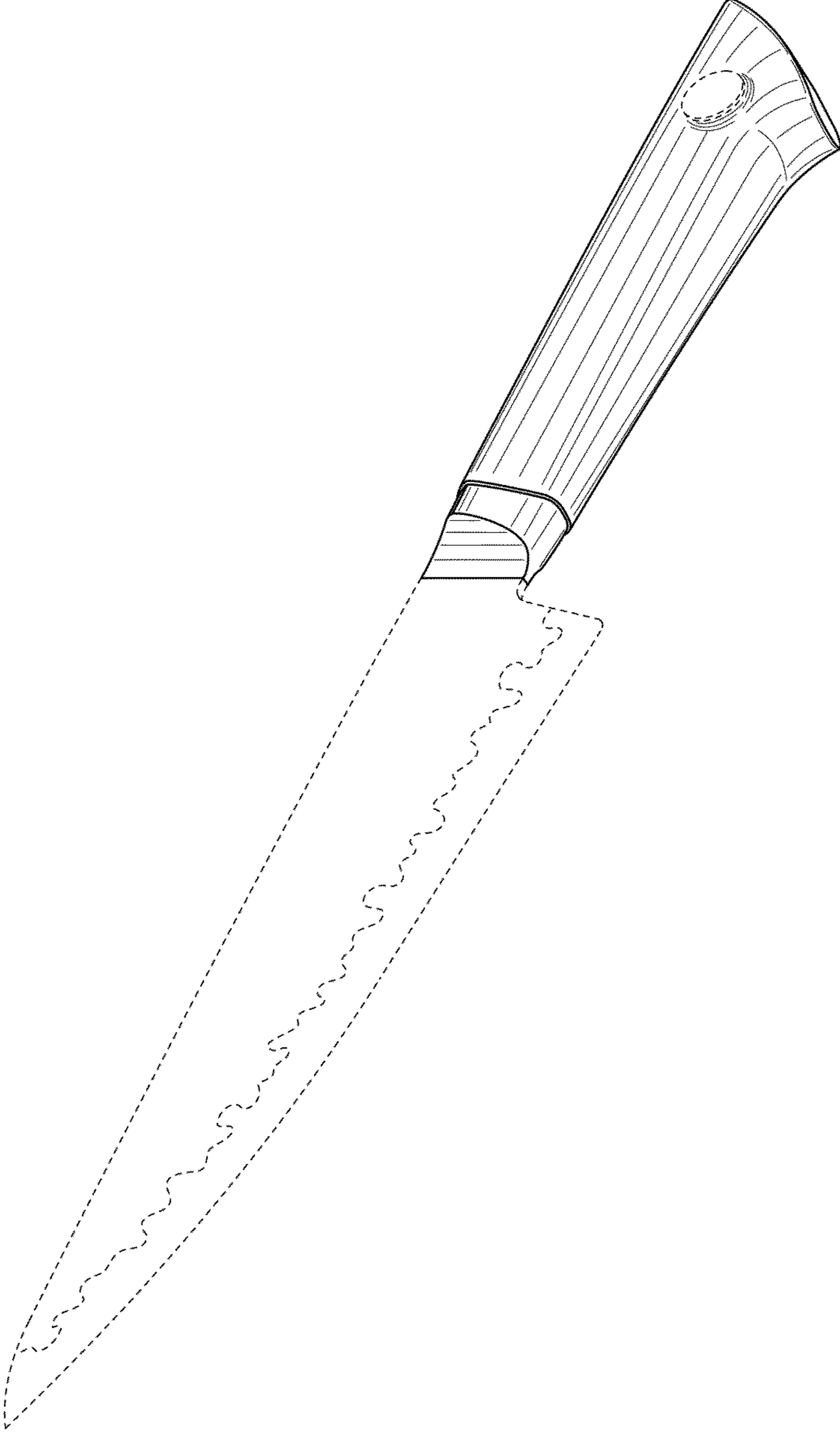
**1 Claim, 9 Drawing Sheets**



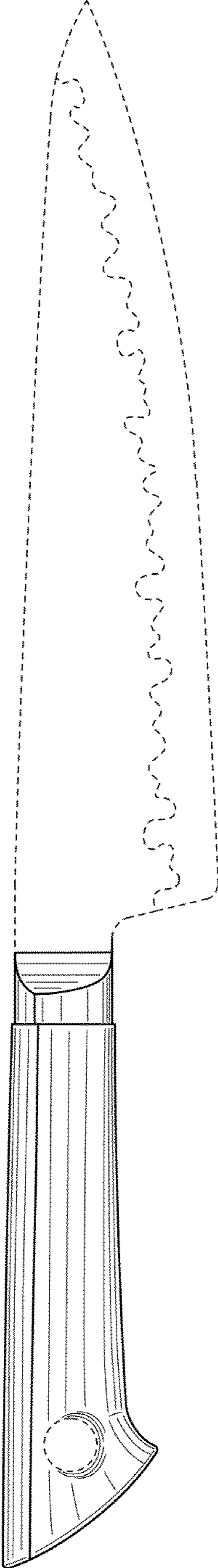
**FIG. 1**



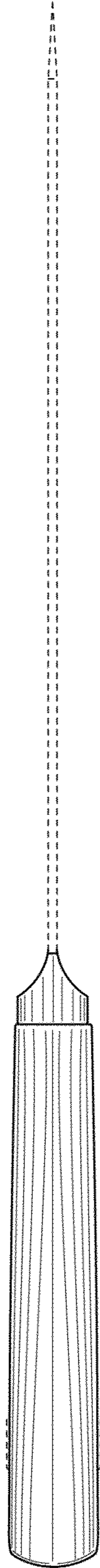
**FIG. 2**



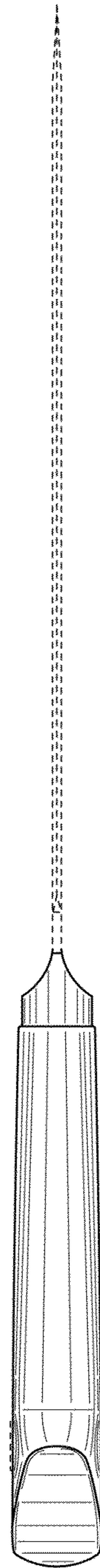
**FIG. 3**



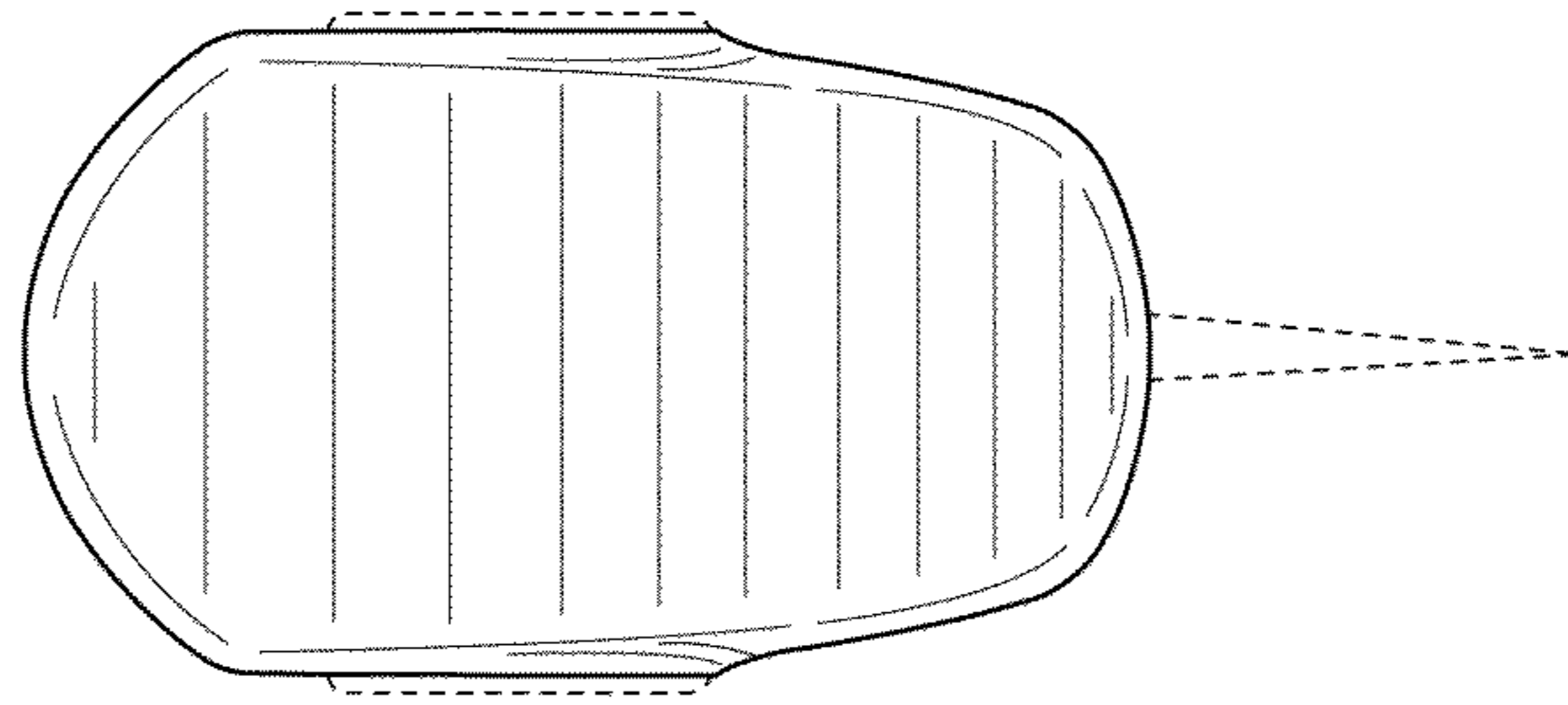
*FIG. 4*



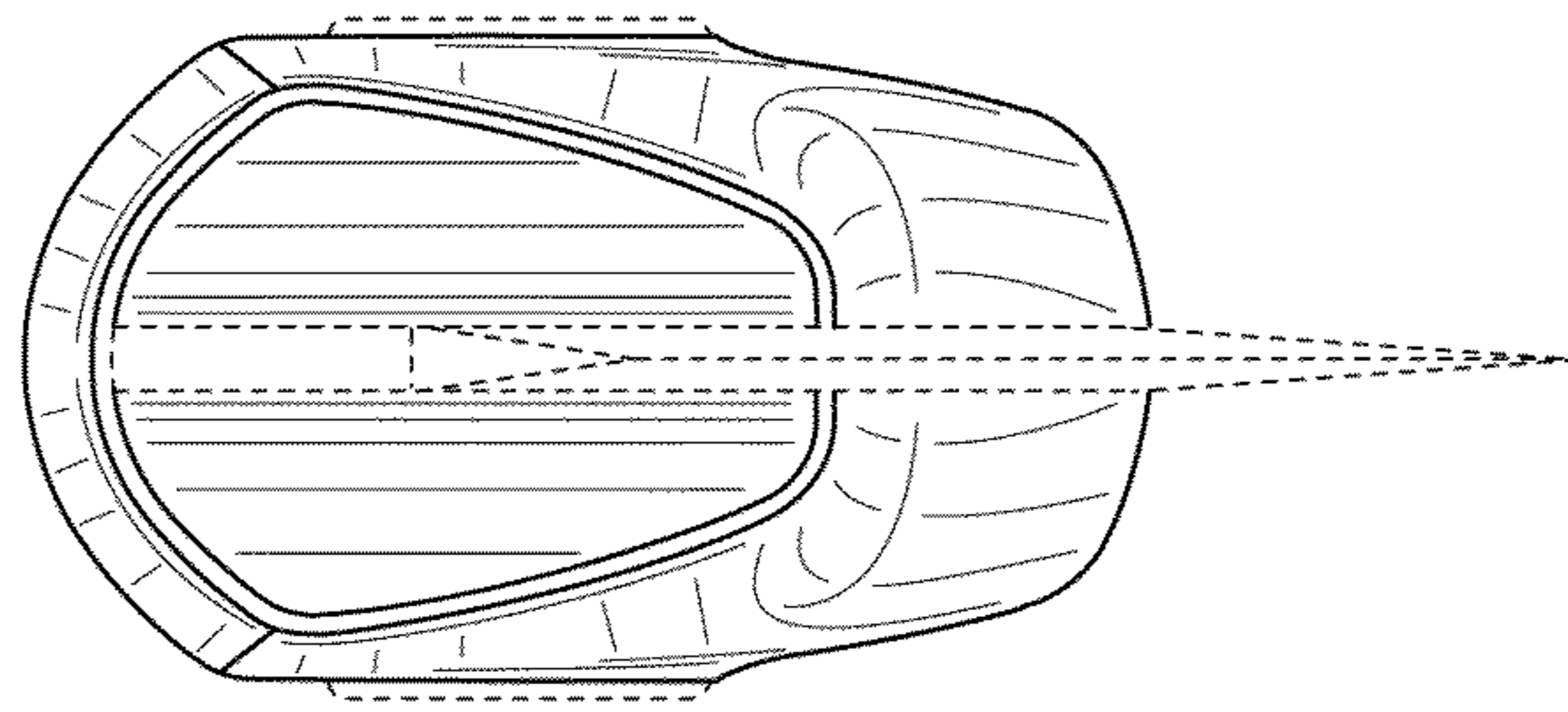
*FIG. 5*



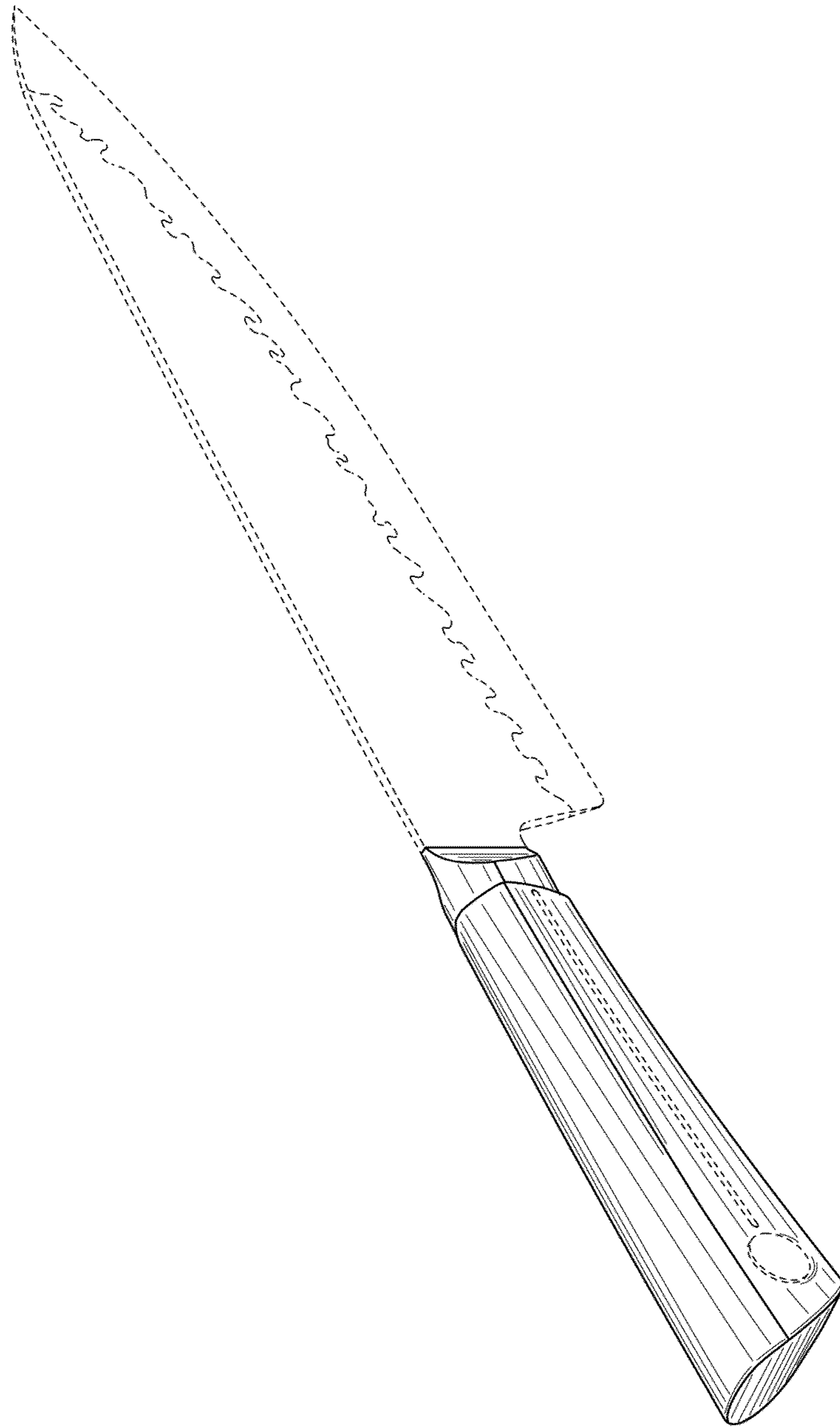
**FIG. 7**



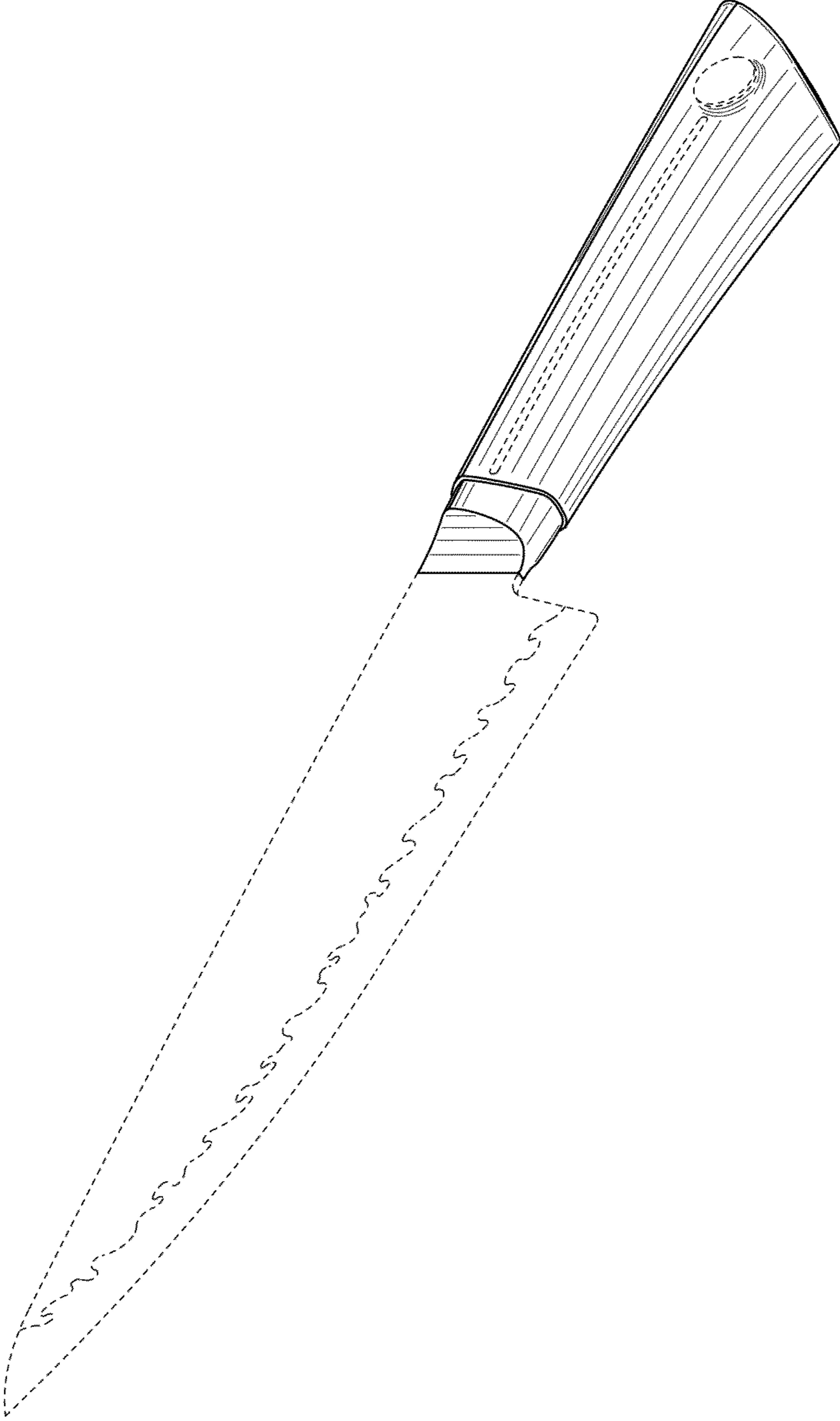
**FIG. 6**



**FIG. 8**

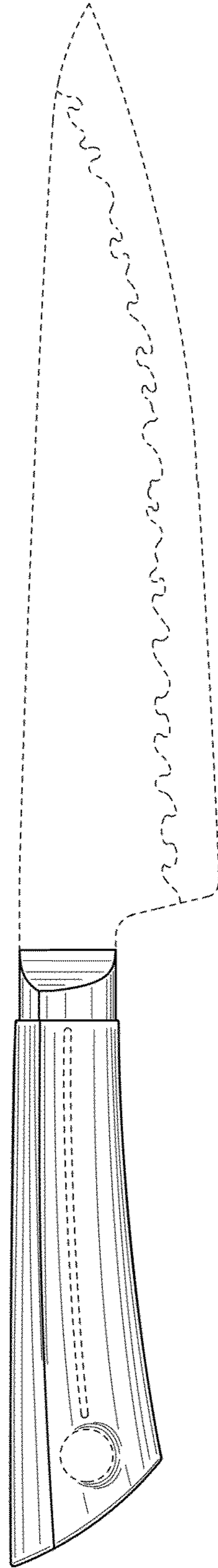


**FIG. 9**

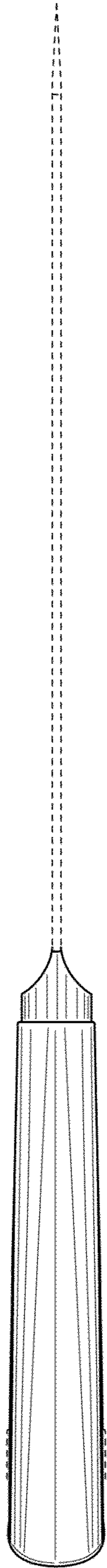




**FIG. 10**



*FIG. 11*



*FIG. 12*

