



US00D689329S

(12) **United States Design Patent**
Nicholls et al.

(10) **Patent No.:** **US D689,329 S**

(45) **Date of Patent:** **** Sep. 10, 2013**

(54) **DRINKS FONT**

D643,512 S * 8/2011 Matsuura et al. D23/238
D665,623 S * 8/2012 Ben-David et al. D7/398
D680,623 S * 4/2013 Kronenbitter D23/238

(75) Inventors: **Ross William Nicholls**, Maroubra (AU);
Adam Preston, Alexandria (AU)

* cited by examiner

(73) Assignee: **Rad I.P. Pty. Limited** (AU)

Primary Examiner — Marianne Pandozzi

(**) Term: **14 Years**

(74) *Attorney, Agent, or Firm* — Skinner and Associates

(21) Appl. No.: **29/415,046**

(57) **CLAIM**

The ornamental design for a drinks font, as shown and described.

(22) Filed: **Mar. 7, 2012**

DESCRIPTION

(51) **LOC (9) Cl.** **07-99**

(52) **U.S. Cl.**

USPC **D7/398**; D7/397; D23/238

(58) **Field of Classification Search**

USPC D7/306, 300, 311, 397, 398; D23/238,
D23/235; 222/129.1–129.4, 145.5

See application file for complete search history.

FIG. 1 is a front perspective view of a drink font showing our new design;

FIG. 2 is a rear perspective view thereof.

FIG. 3 is a top view thereof.

FIG. 4 is a front view thereof.

FIG. 5 is a side view thereof.

FIG. 6 is a rear view thereof.

FIG. 7 is an environmental front perspective view thereof; and,

FIG. 8 is an environmental rear perspective view thereof.

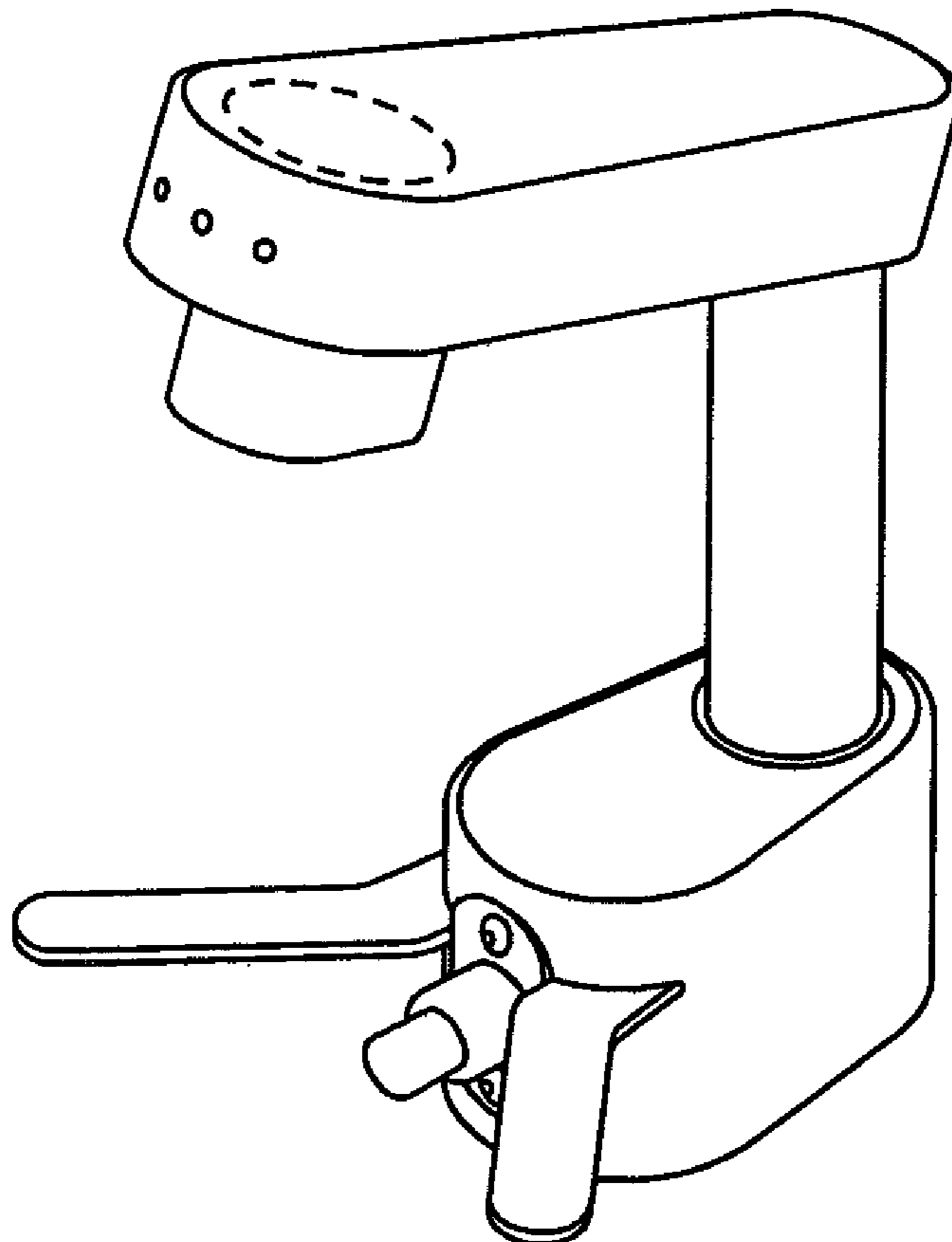
The broken lines are included for the purpose of illustration and form no part of the claimed design.

(56) **References Cited**

U.S. PATENT DOCUMENTS

D261,657 S * 11/1981 Villa D7/306
D407,260 S * 3/1999 Martindale D7/306
D526,388 S * 8/2006 Haug et al. D23/238
D598,072 S * 8/2009 Zetsche et al. D23/238

1 Claim, 5 Drawing Sheets



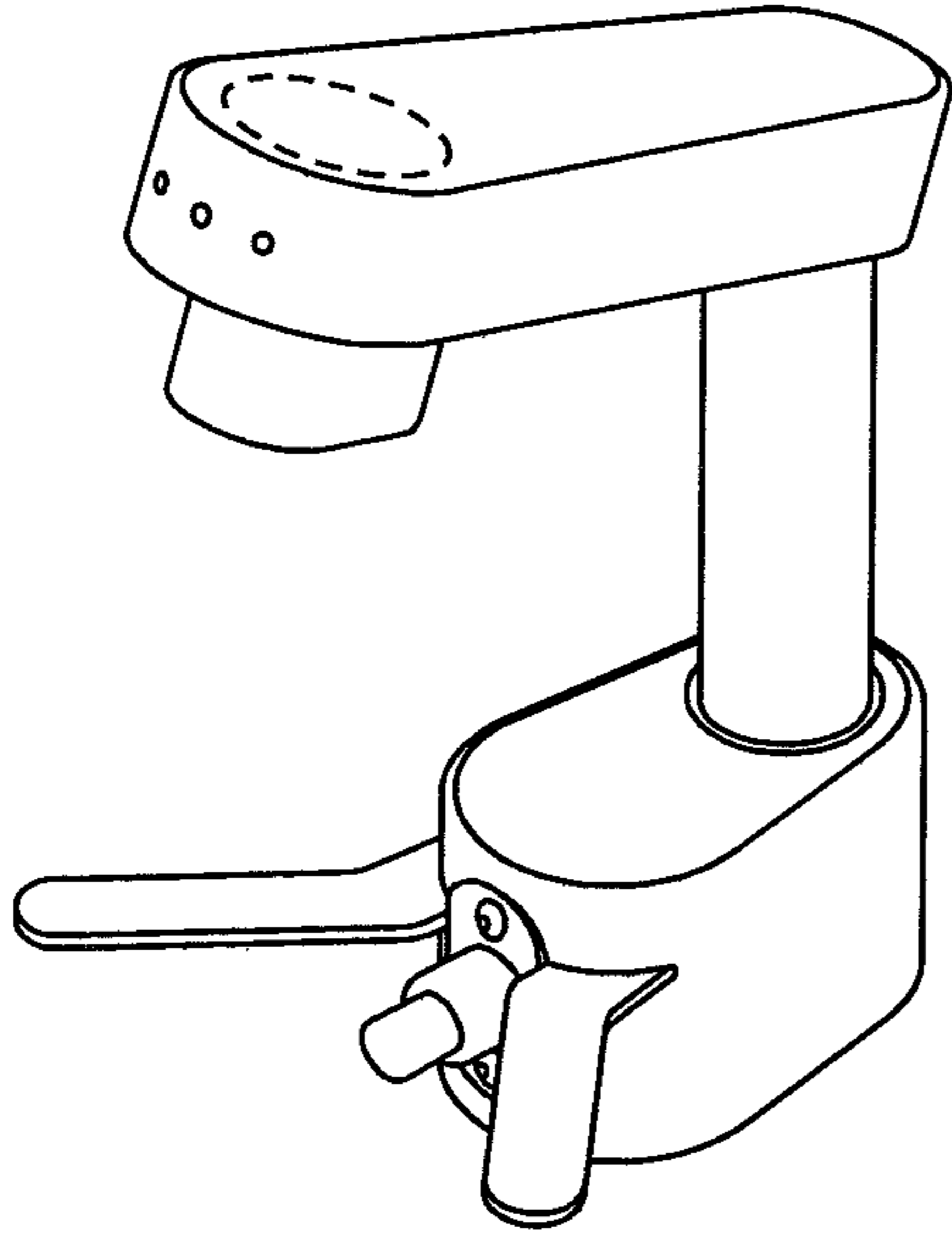


FIG. 1

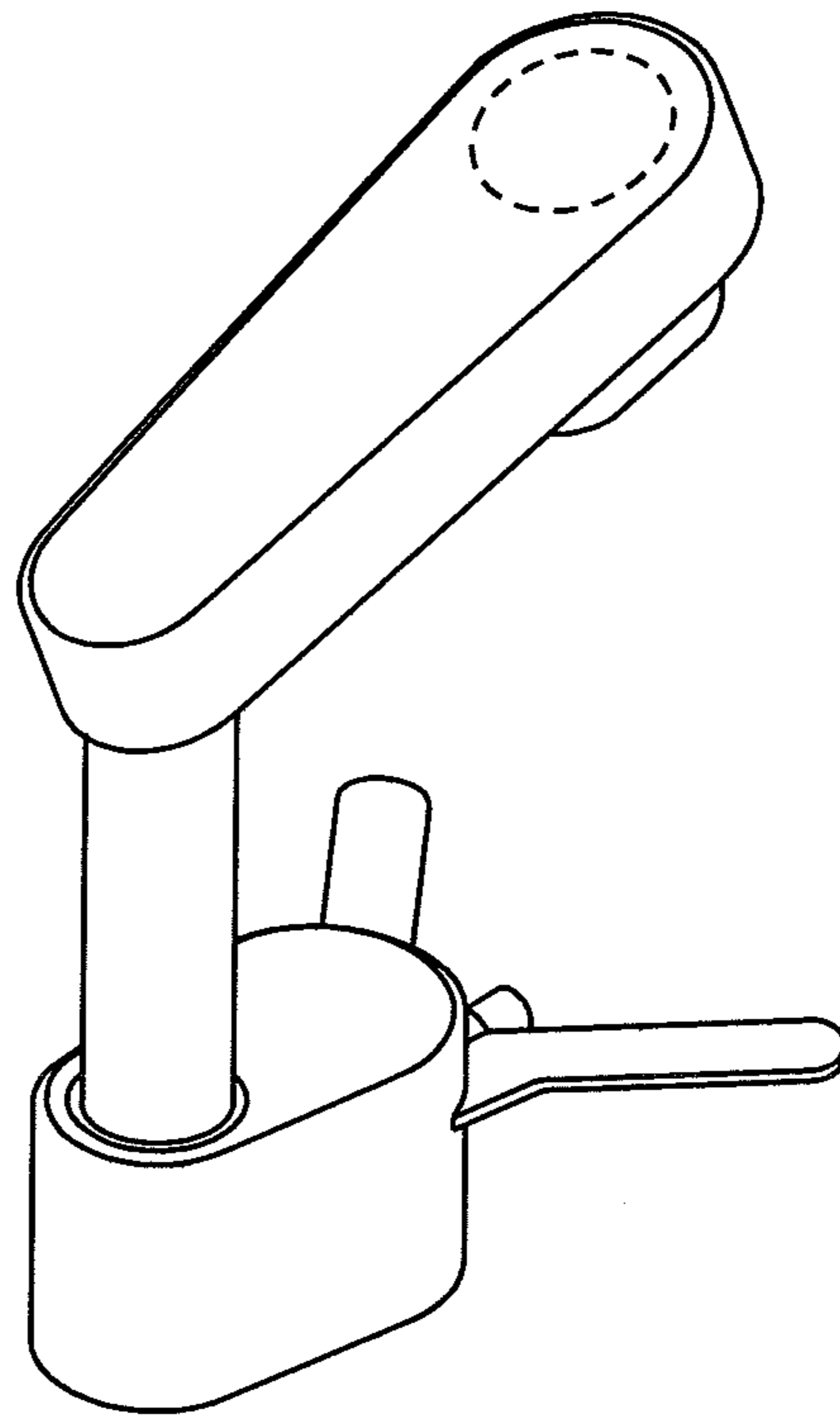


FIG. 2

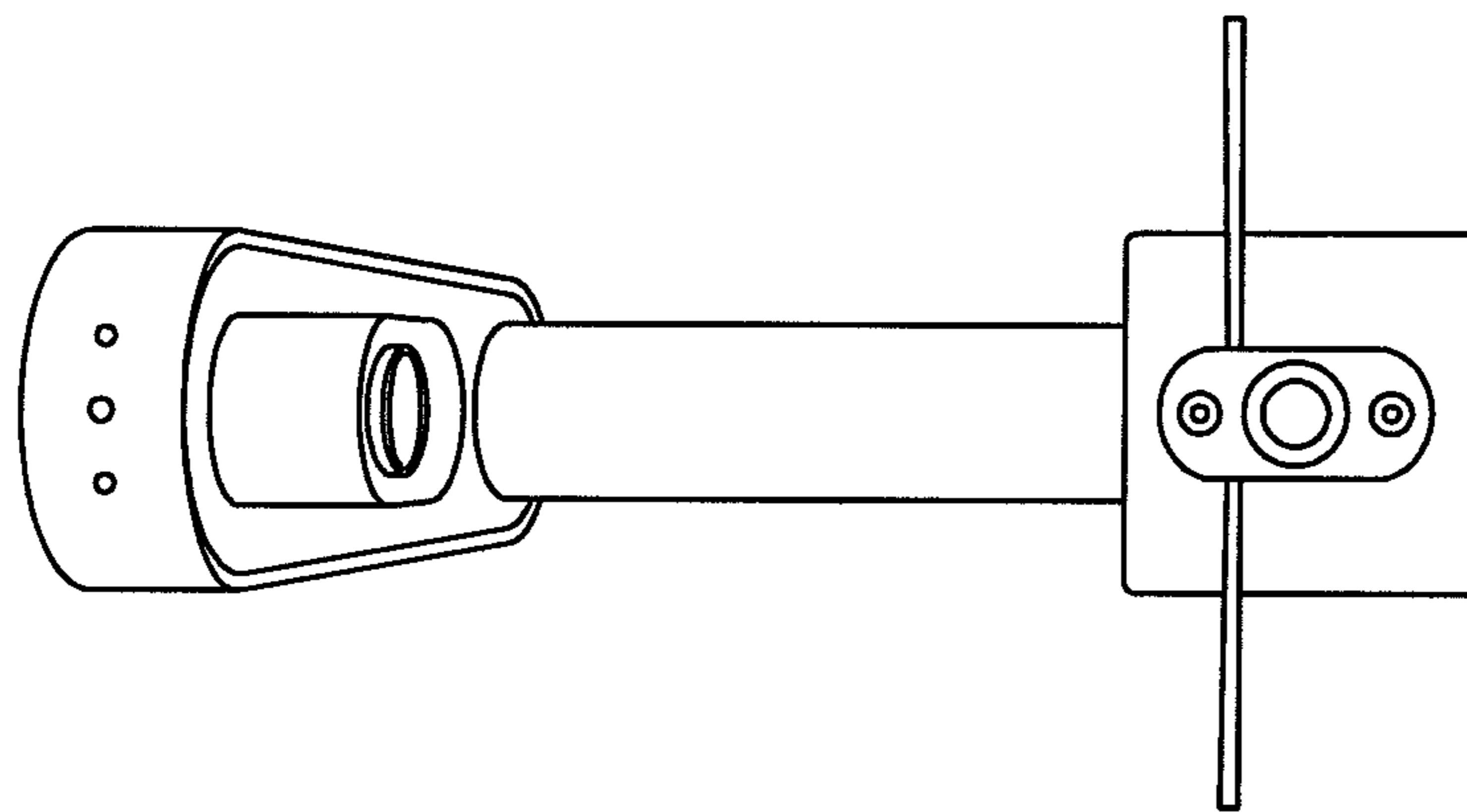


FIG. 4

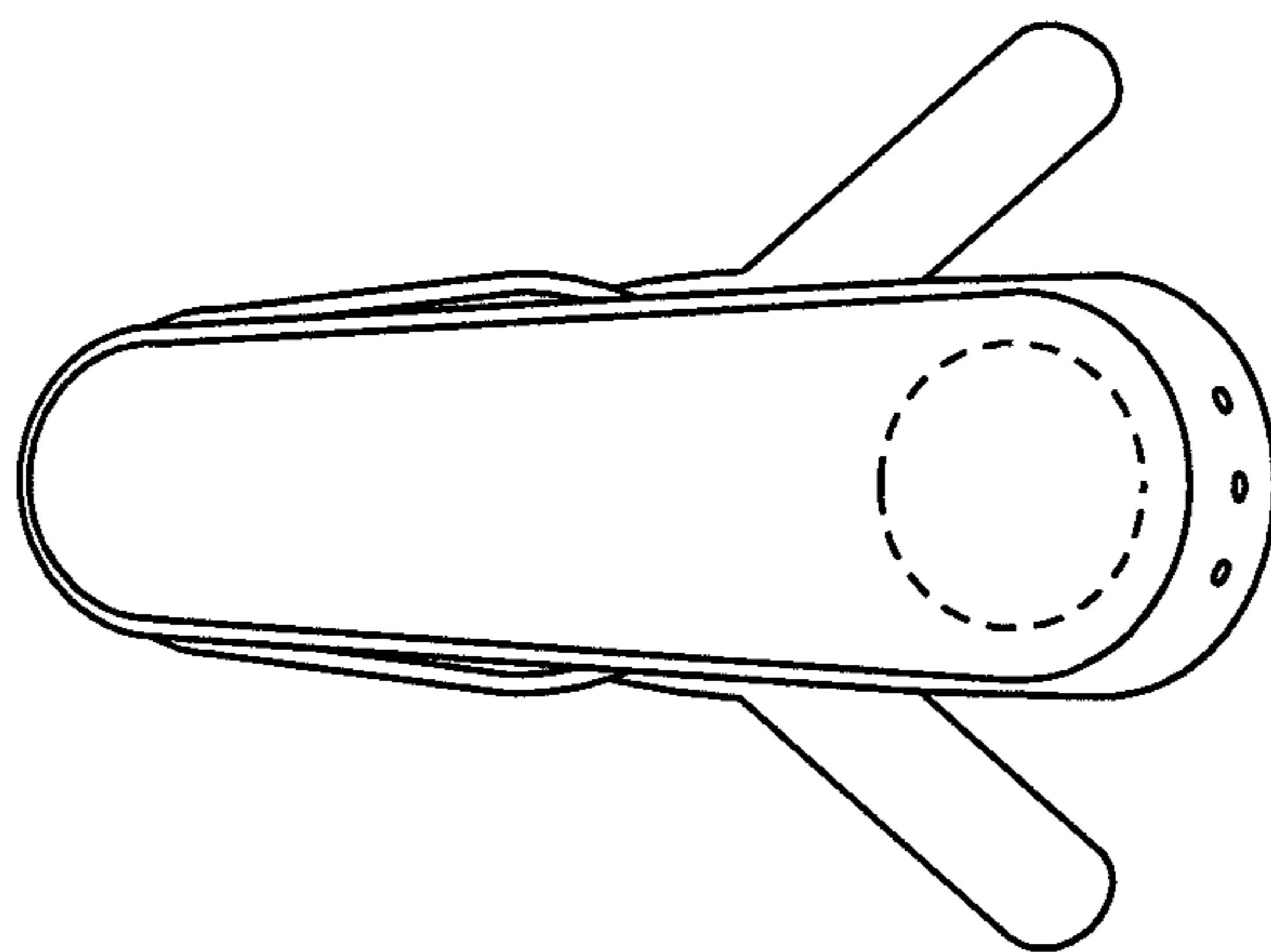


FIG. 3

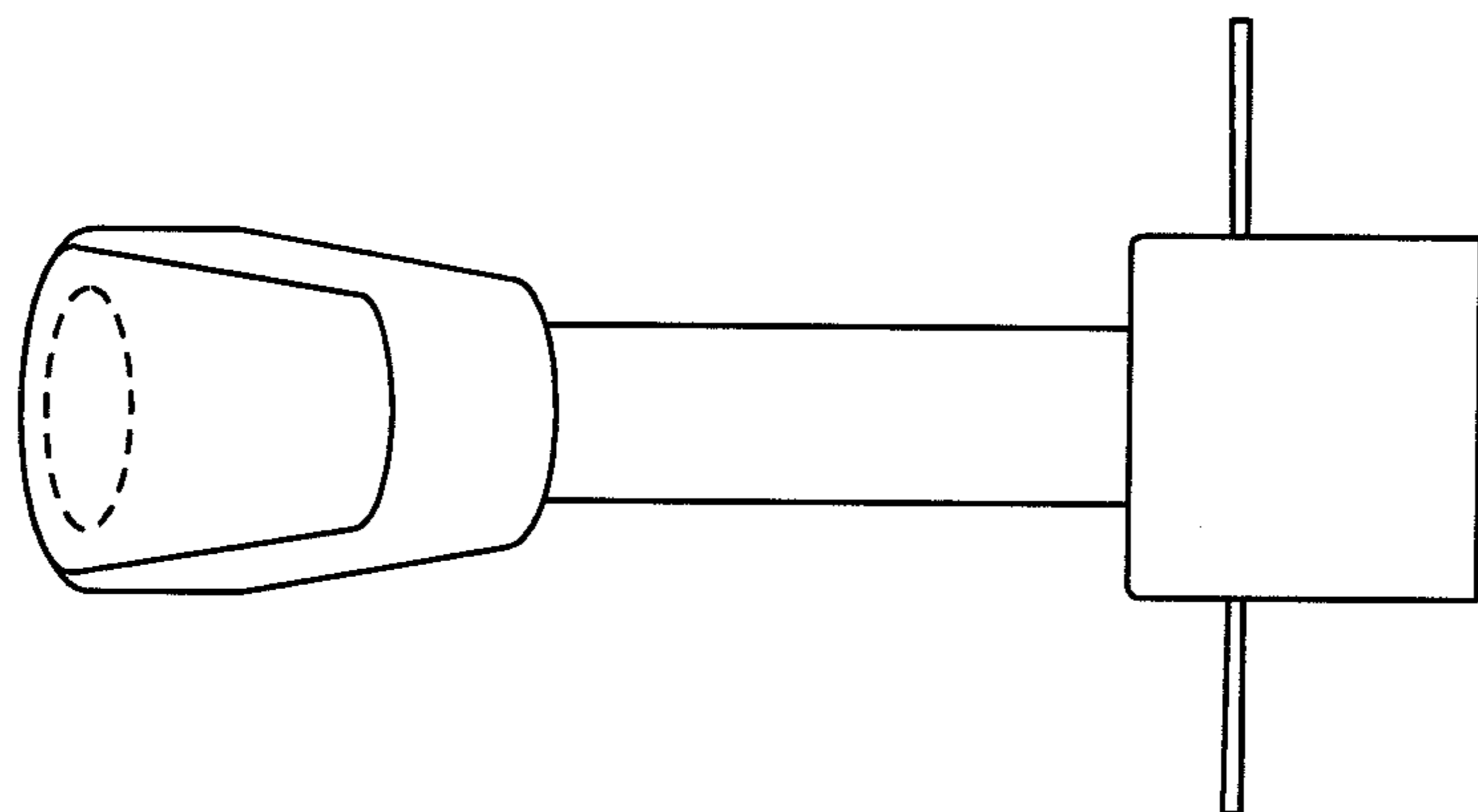


FIG. 6

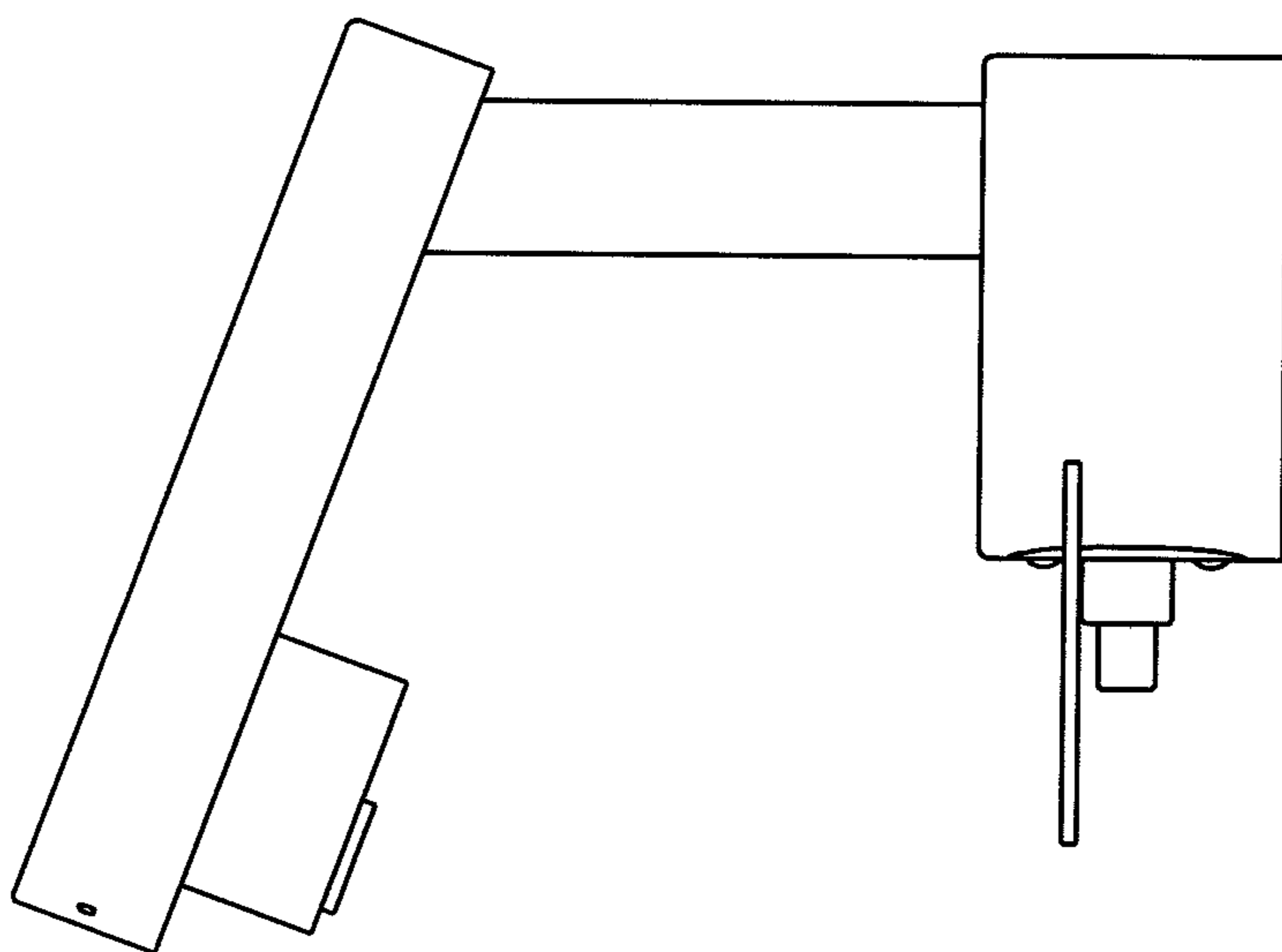


FIG. 5

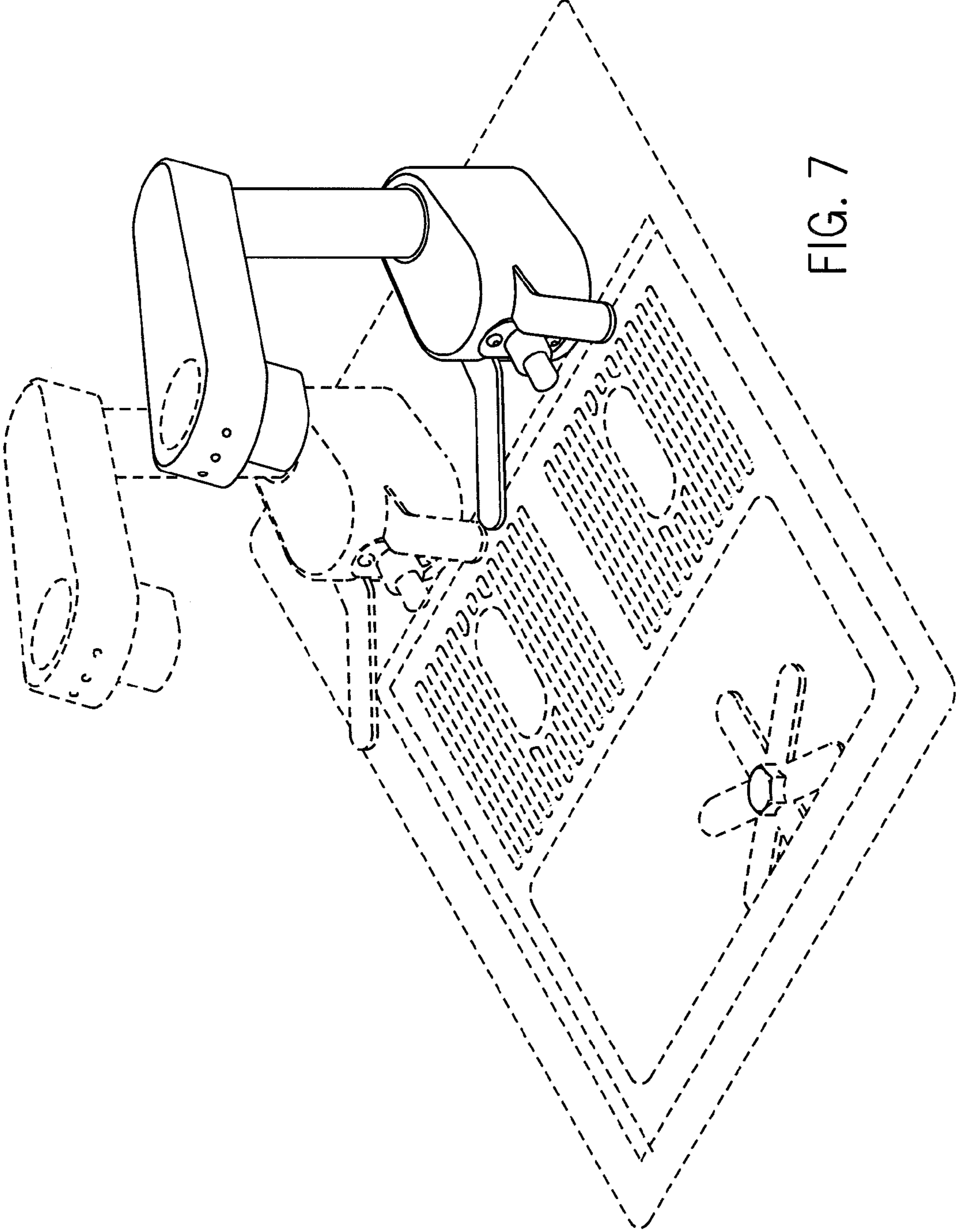


FIG. 7

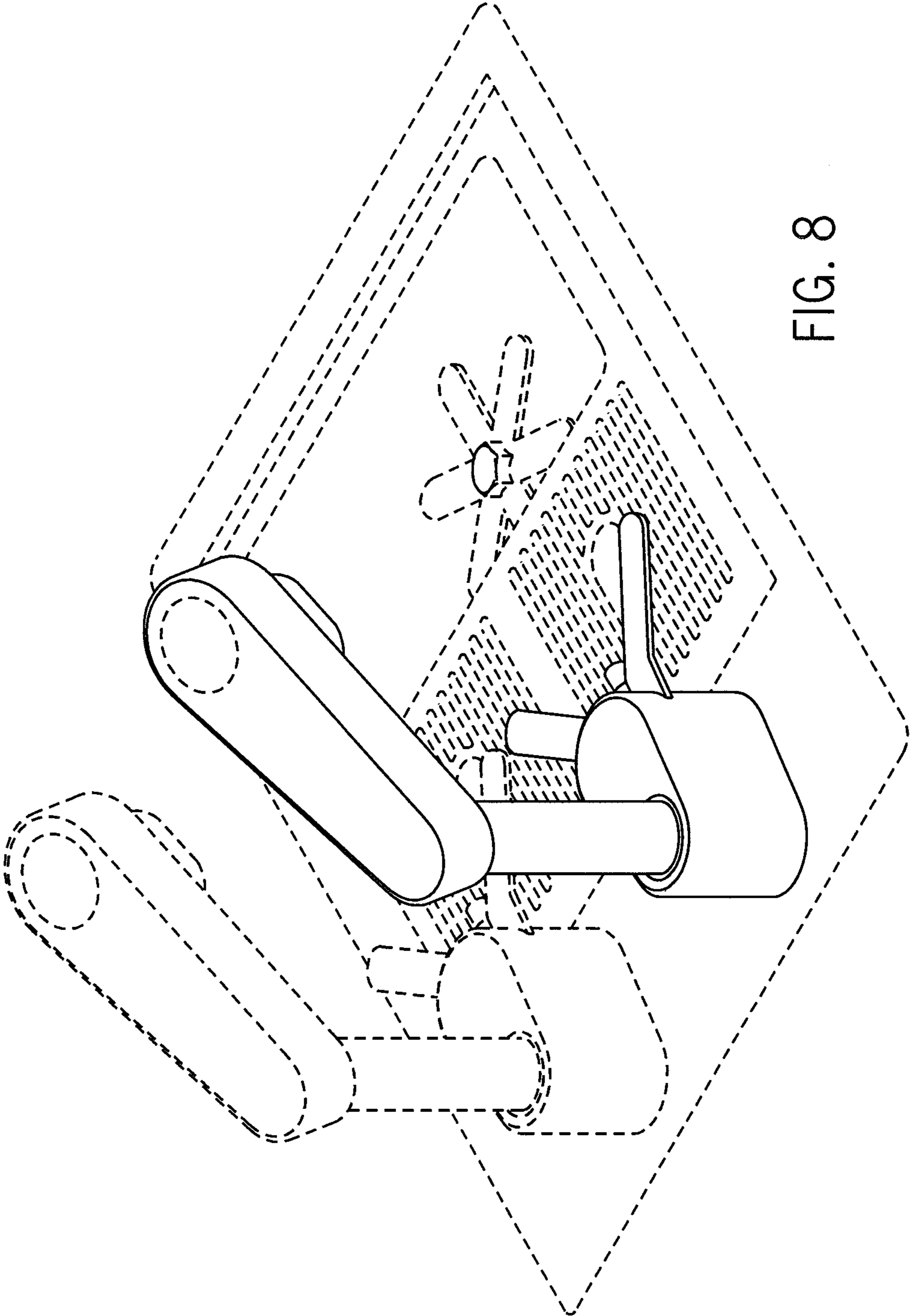


FIG. 8