



US00D689327S

(12) **United States Design Patent**
Ortegon et al.

(10) **Patent No.:** **US D689,327 S**

(45) **Date of Patent:** **** Sep. 10, 2013**

(54) **RECTANGULAR PERFORATED PAN**

(71) Applicant: **Brinker International Payroll Company, L.P.**, Dallas, TX (US)

(72) Inventors: **Homero Ortegon**, Frisco, TX (US);
Todd William Craig, Frisco, TX (US)

(73) Assignee: **Brinker International Payroll Company, L.P.**, Dallas, TX (US)

(**) Term: **14 Years**

(21) Appl. No.: **29/449,186**

(22) Filed: **Mar. 14, 2013**

(51) **LOC (9) Cl.** **07-02**

(52) **U.S. Cl.**
USPC **D7/354; D7/359**

(58) **Field of Classification Search**

USPC D7/323, 329–331, 337, 339, 346–347,
D7/350.1–350.4, 352–367, 387–388, 391,
D7/392.1, 393, 395, 396.1, 402, 407–410,
D7/500, 505, 538–545, 552.1, 552.2, 554.2,
D7/555, 566, 584–587, 602, 667, 672–674,
D7/698; D9/425; D24/216, 226; D28/61;
D30/129; D32/57; 99/324–325, 331–332,
99/337–349, 358, 369–376, 380, 389, 400–418,
99/422–428, 444–446, 450, 483; 126/9 B,
126/37 R, 261, 378.1; 206/370, 501–505,
206/507–508, 518;
219/386, 400, 405, 429–442, 450.1, 452.13,
219/460.1, 620–624, 725, 730–735;
220/4.21–4.24, 23.8, 315, 573.1–573.5,
220/629, 675, 743, 756, 769, 912; 426/132,
426/438, 441, 549

See application file for complete search history.

(56) **References Cited**

U.S. PATENT DOCUMENTS

1,819,660 A * 8/1931 Stone 99/446
2,057,951 A * 10/1936 Ingram et al. 99/422
D199,593 S * 11/1964 Reifers D9/425
D221,521 S * 8/1971 Crabtree D9/425
3,640,209 A * 2/1972 Wilson 99/446
D242,052 S * 10/1976 Ness D30/129

(Continued)

OTHER PUBLICATIONS

Ortegon et al., U.S. Appl. No. 29/449,182, filed Mar. 14, 2013.

(Continued)

Primary Examiner — Ricky Pham

(74) *Attorney, Agent, or Firm* — Hitchcock Evert LLP

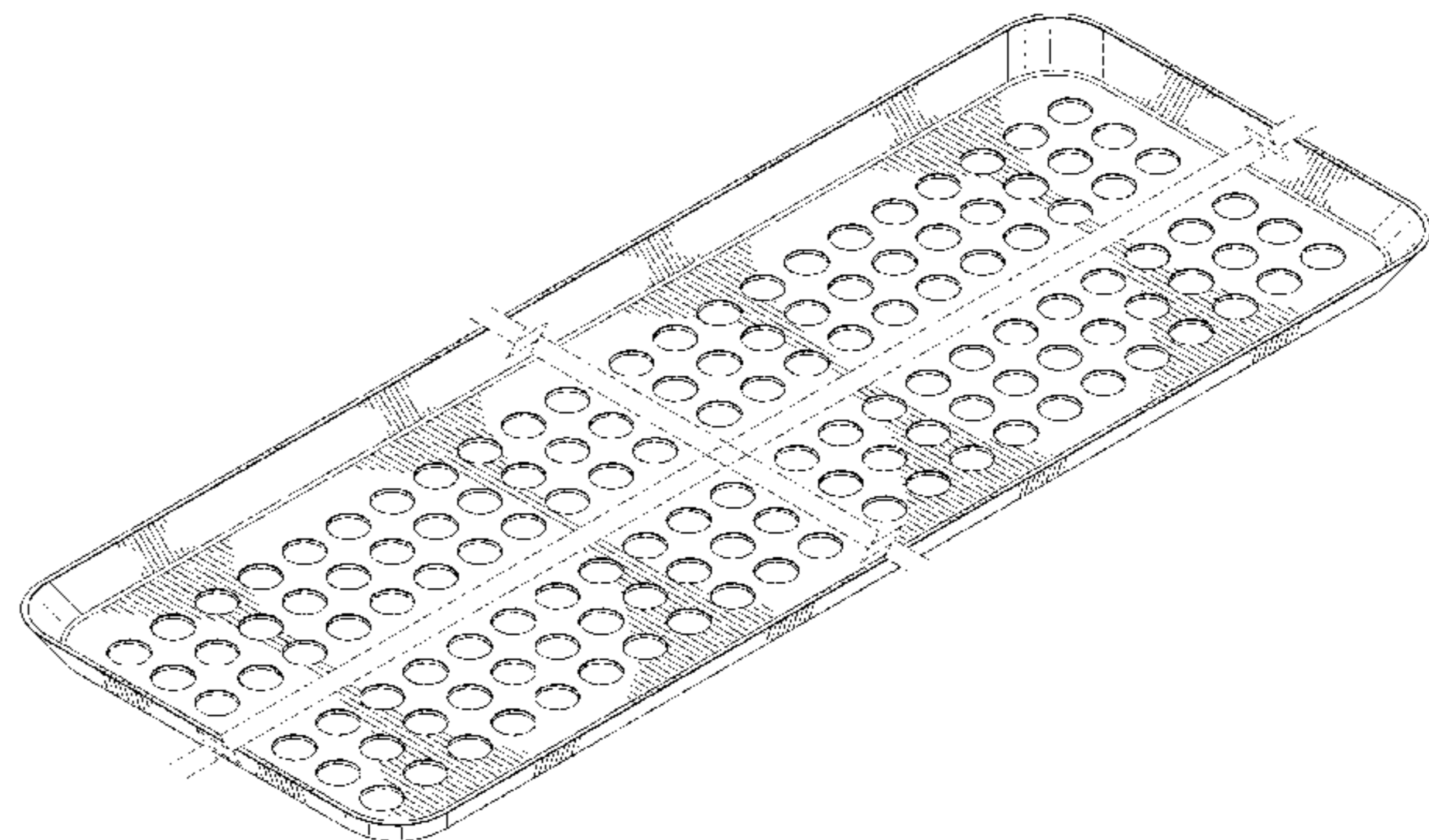
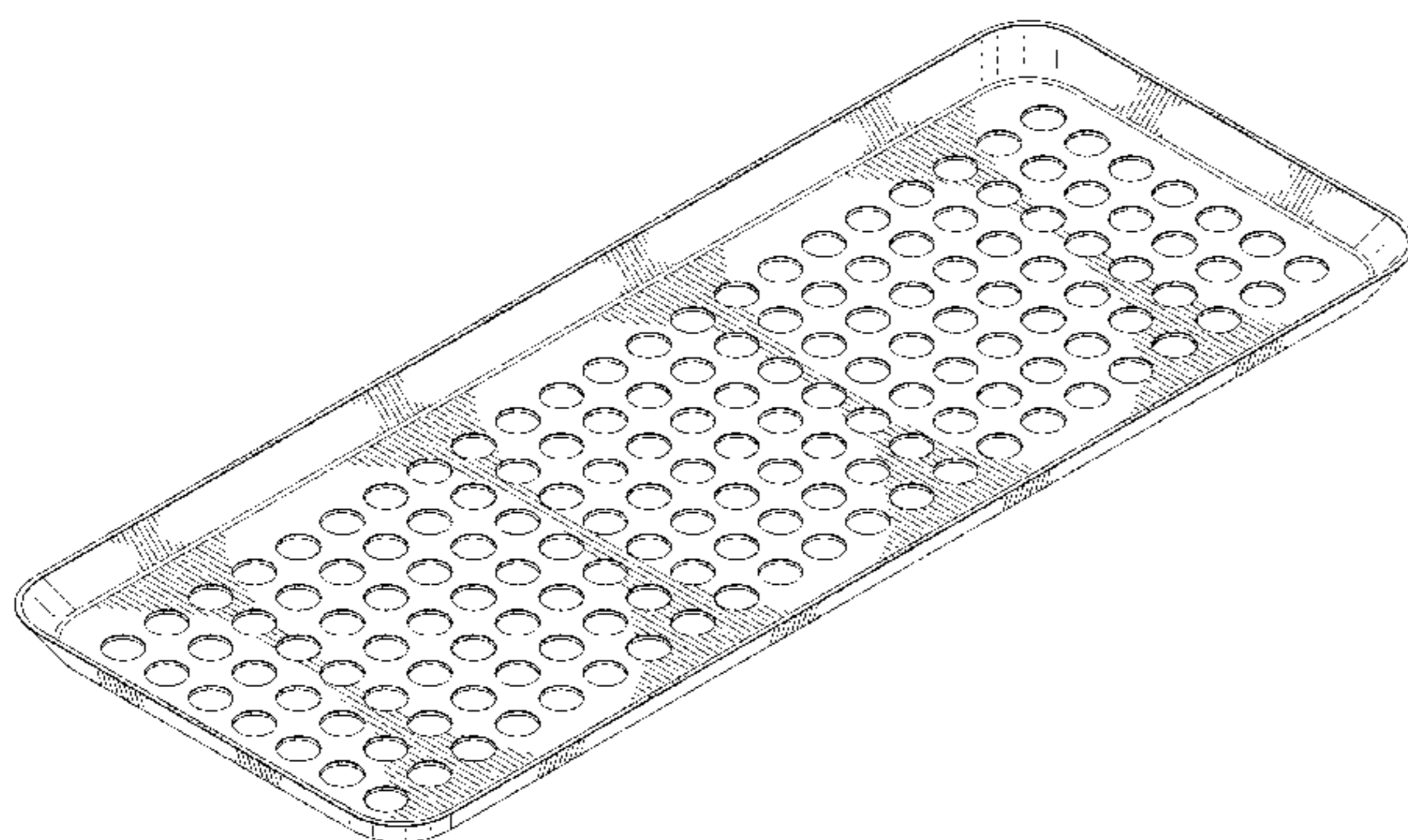
(57) **CLAIM**

The ornamental design for a rectangular perforated pan, as shown and described.

DESCRIPTION

FIG. 1 is a perspective view from the top of the rectangular perforated pan;
FIG. 2 is a front view thereof;
FIG. 3 is a back view thereof;
FIG. 4 is a right side view thereof;
FIG. 5 is a left side view thereof;
FIG. 6 is a top view thereof; and
FIG. 7 is a bottom view thereof;
FIG. 8 is a perspective view from the bottom thereof;
FIG. 9 is a perspective view from the top of a second embodiment of the rectangular perforated pan;
FIG. 10 is a front view thereof;
FIG. 11 is a back view thereof;
FIG. 12 is a right side view thereof;
FIG. 13 is a left side view thereof;
FIG. 14 is a top view thereof;
FIG. 15 is a bottom view thereof; and,
FIG. 16 is a perspective view from the bottom thereof.
FIGS. 9 through 16 are shown broken apart to indicate indeterminate dimensions.

1 Claim, 10 Drawing Sheets



(56)

References Cited

U.S. PATENT DOCUMENTS

D246,288 S * 11/1977 Boucher D7/587
 4,176,591 A 12/1979 Power
 D257,116 S * 9/1980 Lakatos et al. D7/357
 D270,703 S * 9/1983 El-Hag et al. D7/357
 D283,162 S * 3/1986 Godsey D24/226
 5,353,930 A * 10/1994 Berry, Jr. 206/370
 D353,301 S * 12/1994 Anderson D7/409
 5,503,063 A 4/1996 Sebald
 5,523,104 A 6/1996 Kirk
 5,526,735 A 6/1996 Hacker et al.
 D374,148 S 10/1996 Woodward et al.
 5,680,956 A 10/1997 Woodward et al.
 5,776,532 A 7/1998 Wang
 D408,682 S * 4/1999 Costa D7/354
 6,054,697 A 4/2000 Woodward et al.
 6,281,477 B1 8/2001 Forrester et al.
 6,286,708 B1 9/2001 Scheibmeir et al.
 D464,734 S * 10/2002 Berna et al. D24/216

6,626,996 B1 9/2003 Amigh et al.
 D493,256 S * 7/2004 Kim D28/61
 D514,765 S * 2/2006 Dretzka D32/57
 D562,463 S * 2/2008 Berndt et al. D24/226
 7,340,994 B2 * 3/2008 Bruno et al. 99/450
 D608,146 S * 1/2010 Zemel D7/409
 D635,825 S * 4/2011 Borovicka et al. D7/409
 D651,043 S * 12/2011 Sarnoff et al. D7/409
 D655,130 S * 3/2012 Sarnoff et al. D7/354
 D658,942 S * 5/2012 Borovicka et al. D7/409
 D667,681 S * 9/2012 Carsten D7/359
 D668,506 S * 10/2012 Zemel D7/409
 D682,634 S * 5/2013 Datavs D7/698
 2003/0209194 A1 11/2003 Amigh et al.
 2006/0027106 A1 2/2006 Craig et al.
 2006/0208046 A1 9/2006 Dennen et al.

OTHER PUBLICATIONS

Ortegon et al., U.S. Appl. No. 29/449,180, filed Mar. 14, 2013.

* cited by examiner

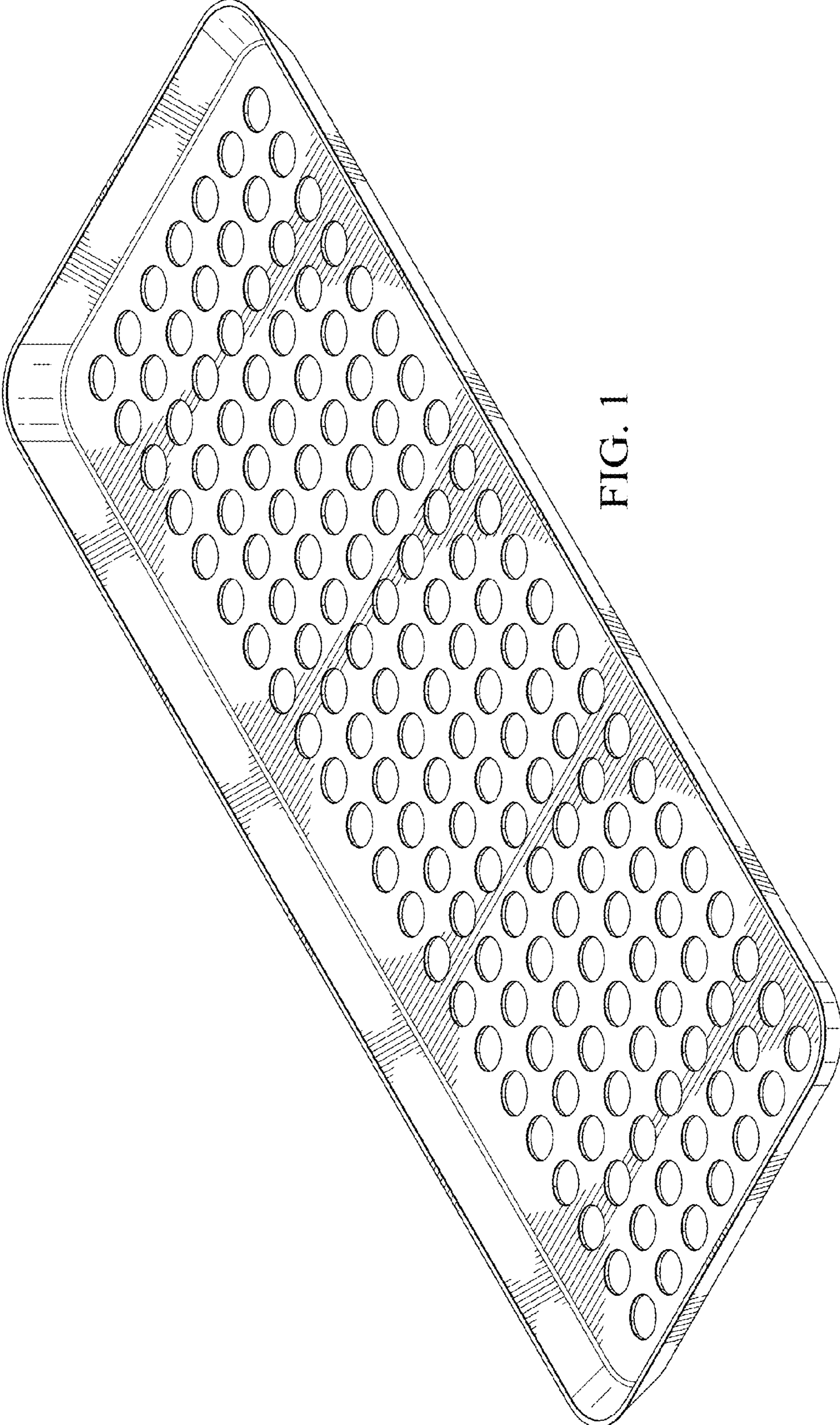


FIG. 1

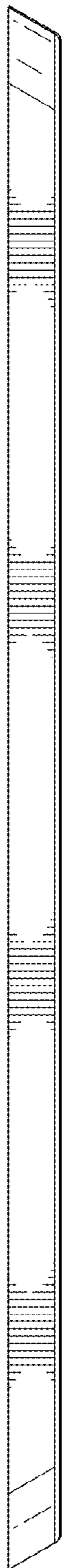


FIG. 2



FIG. 3

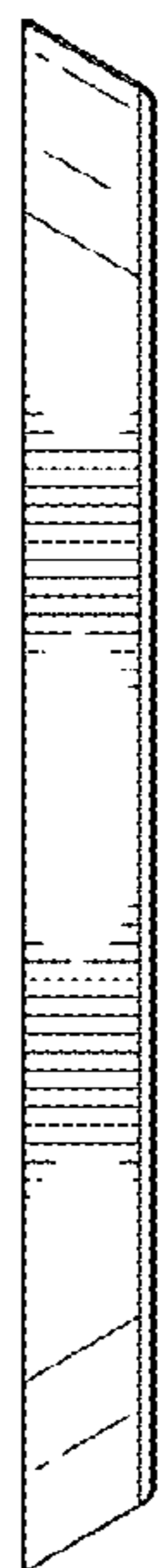


FIG. 4



FIG. 5

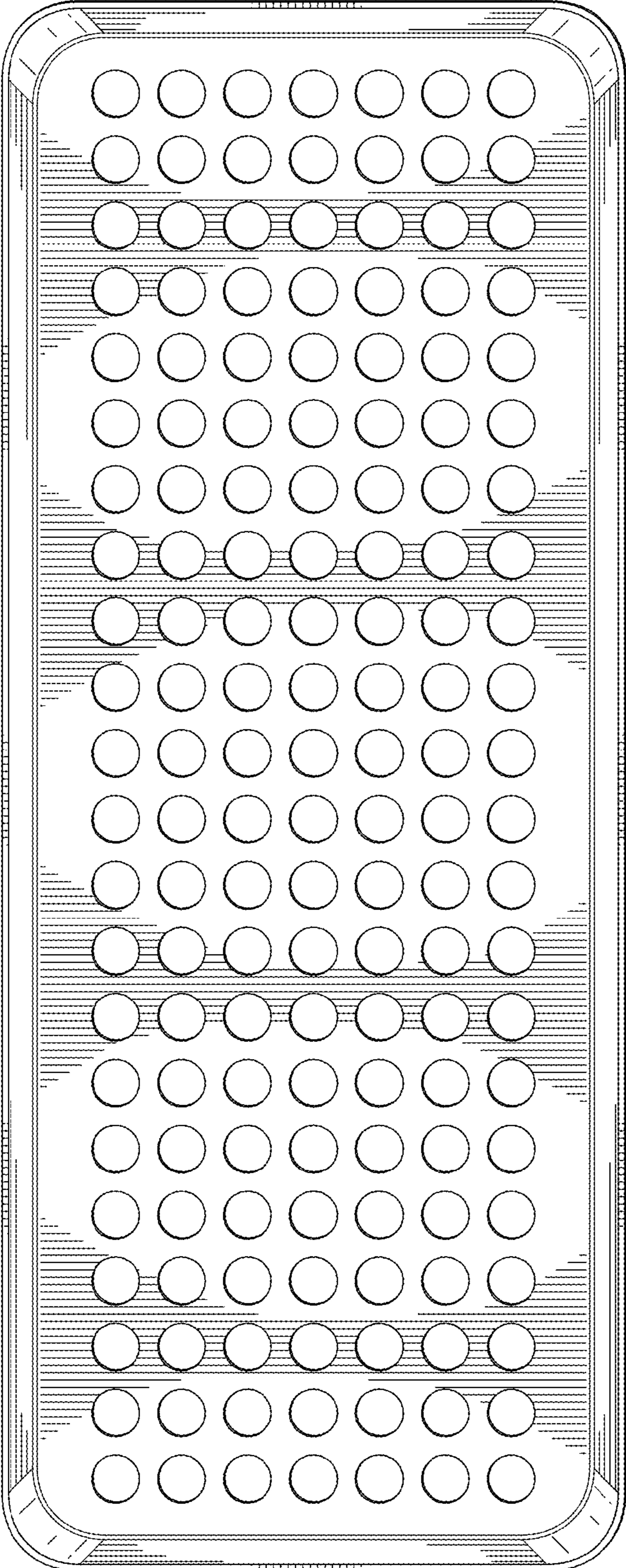


FIG. 6

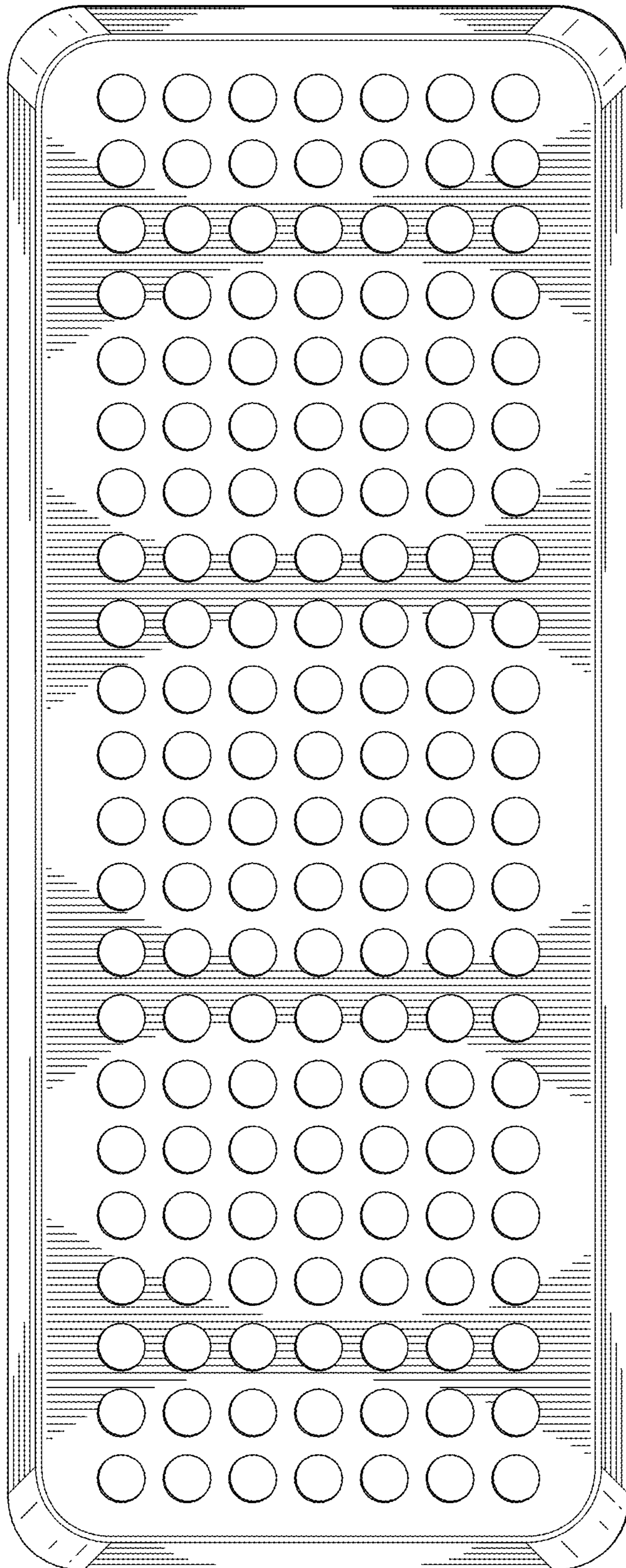


FIG. 7

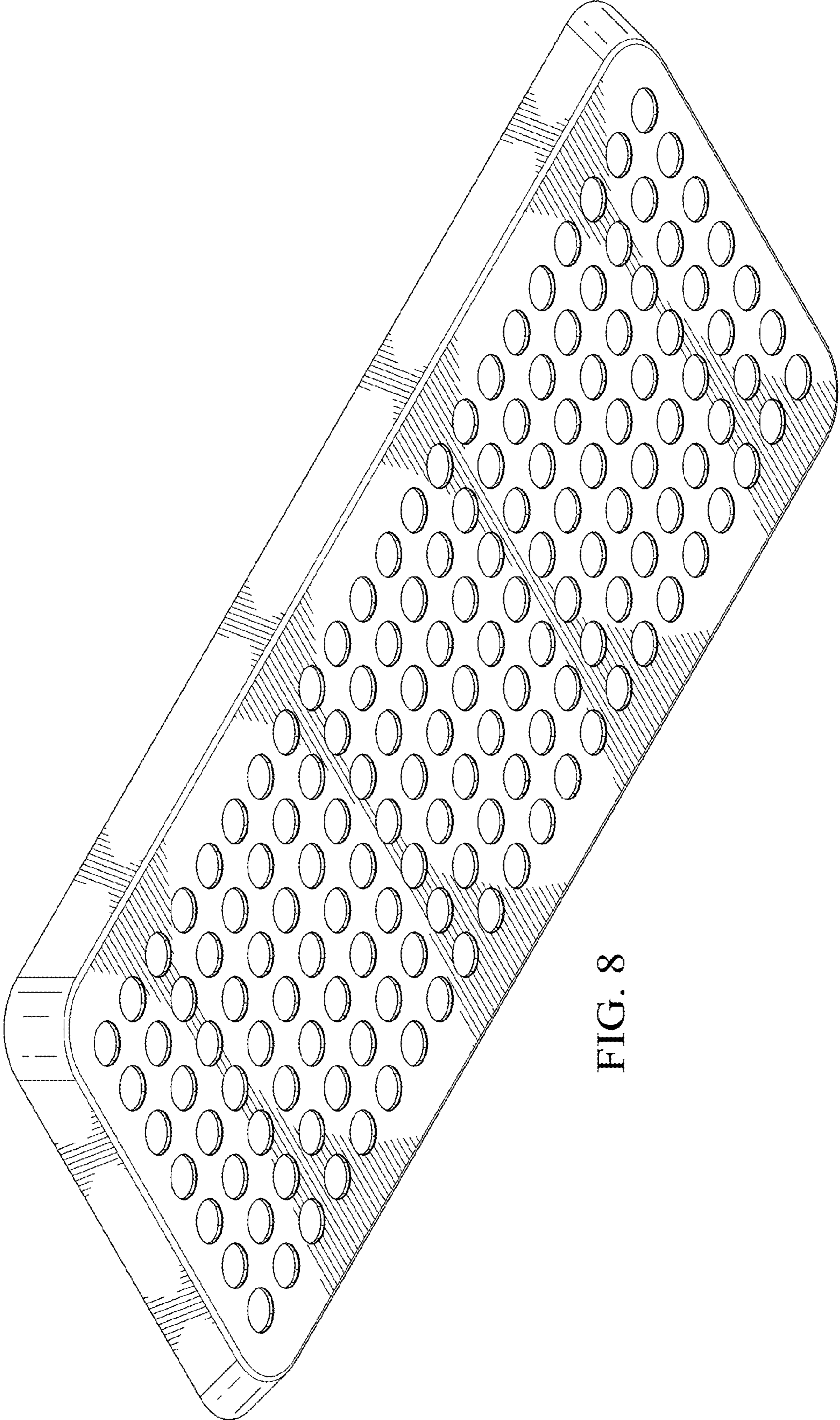


FIG. 8

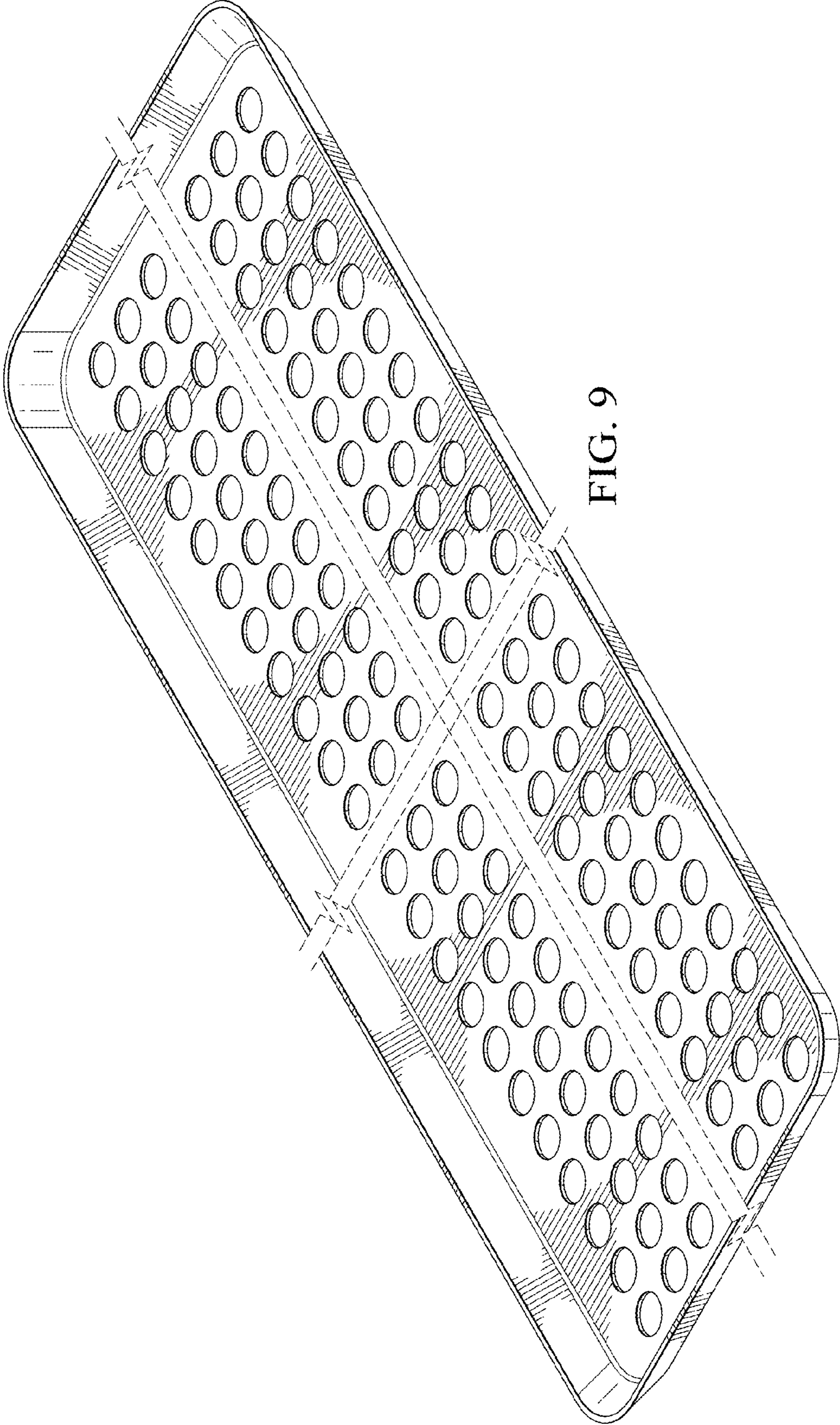


FIG. 9



FIG. 10

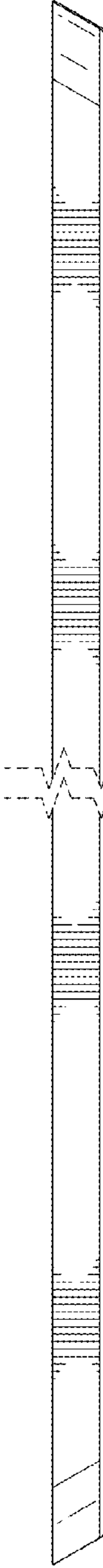


FIG. 11



FIG. 12

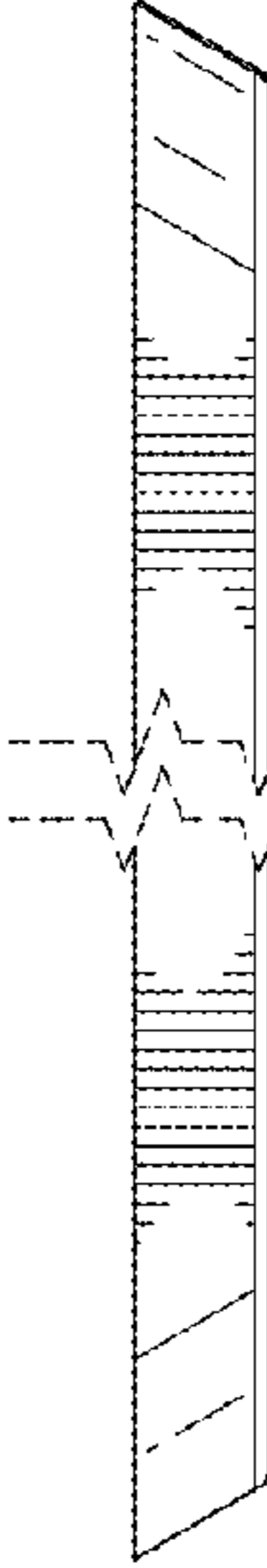


FIG. 13

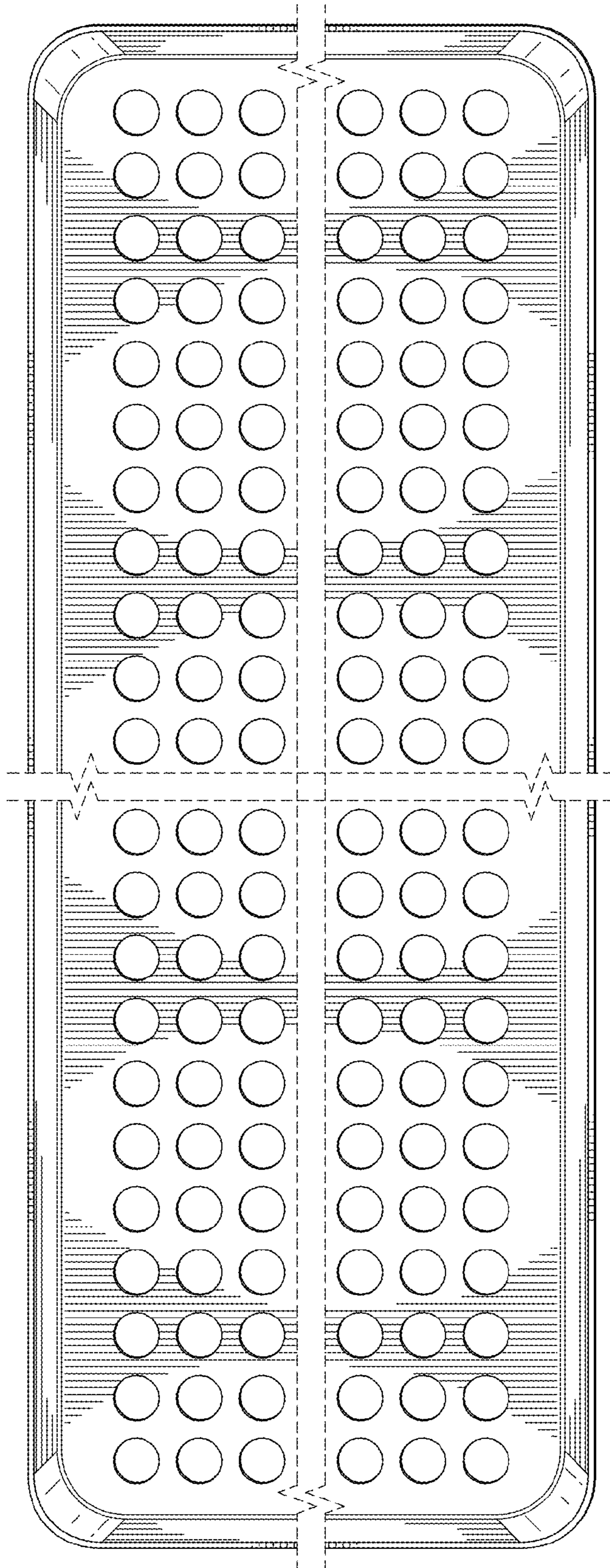


FIG. 14

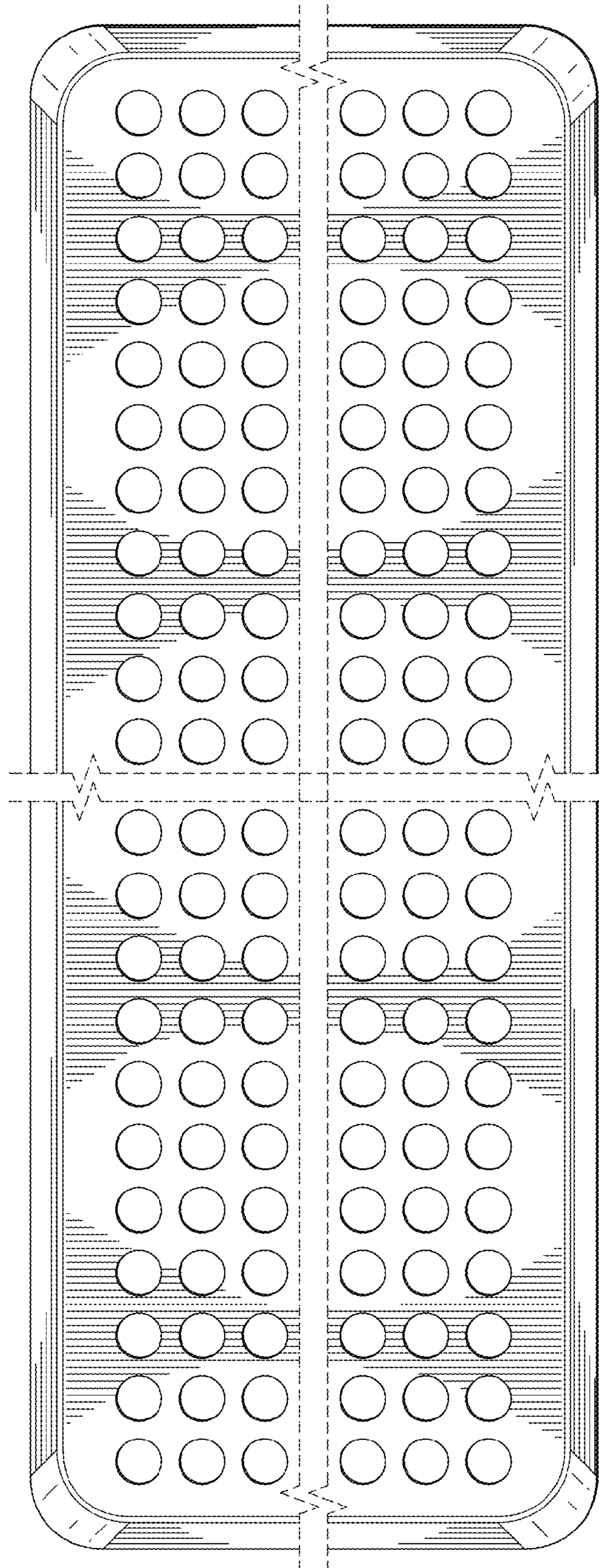


FIG. 15

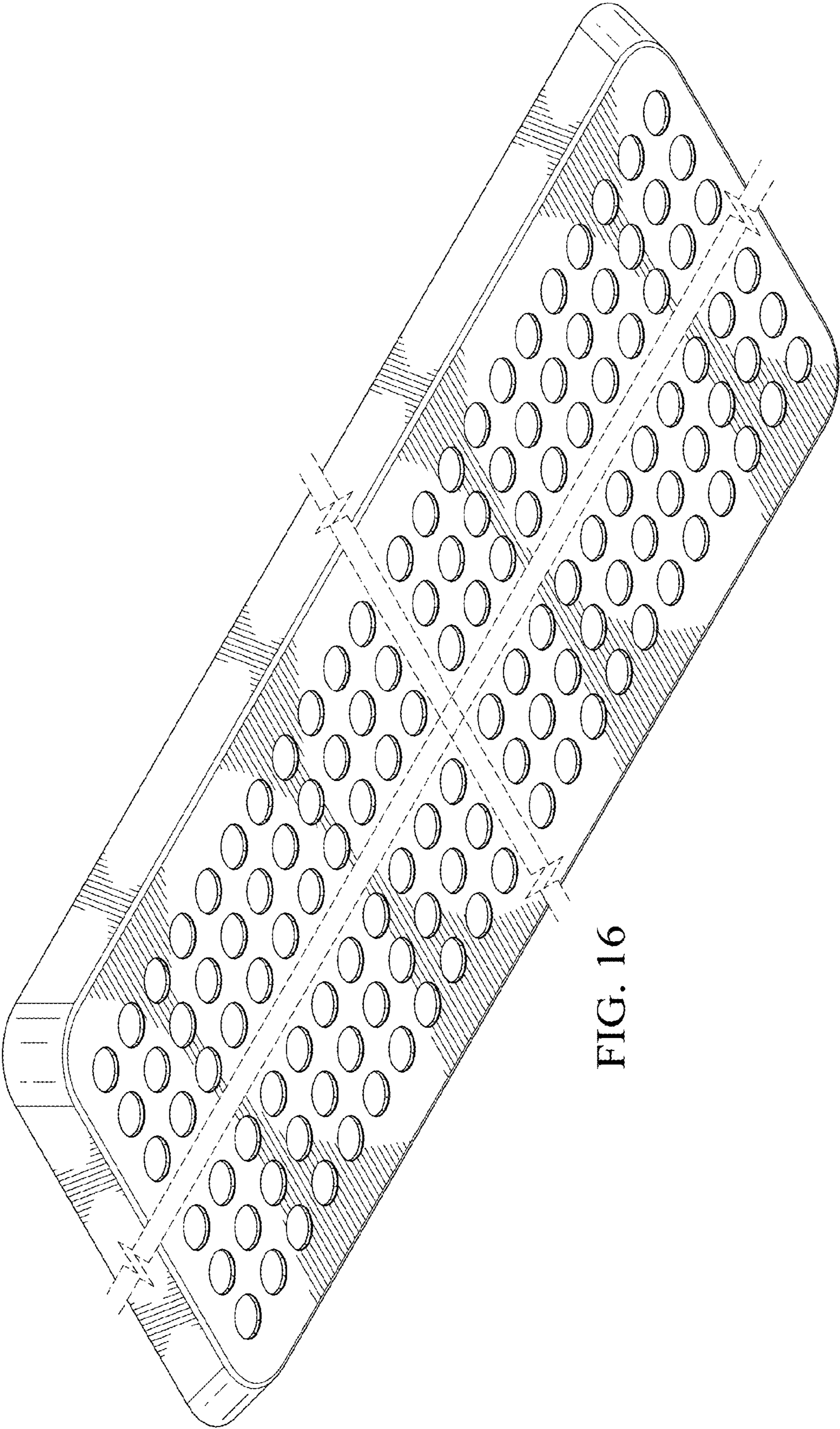


FIG. 16