



US00D689324S

(12) **United States Design Patent**  
**Hollinger**

(10) **Patent No.:** **US D689,324 S**

(45) **Date of Patent:** **\*\* Sep. 10, 2013**

(54) **COOKIE OVEN**

(56) **References Cited**

(71) Applicant: **E. Mishan & Sons, Inc.**, New York, NY  
(US)

U.S. PATENT DOCUMENTS

(72) Inventor: **Fred Hollinger**, Monroe Township, NJ  
(US)

D287,091	S	*	12/1986	Elliston	.....	D7/337
D340,164	S	*	10/1993	Koch	.....	D7/363
6,105,487	A	*	8/2000	Nash et al.	.....	99/400
D549,518	S	*	8/2007	Goodman et al.	.....	D7/388
D592,445	S	*	5/2009	Sorenson et al.	.....	D7/359
7,926,417	B2	*	4/2011	Shingler	.....	99/340
8,232,510	B2	*	7/2012	Addesso et al.	.....	219/524
D677,987	S	*	3/2013	High	.....	D7/402
D679,943	S	*	4/2013	Zhou	.....	D7/402

(73) Assignee: **E. Mishan & Sons, Inc.**, New York, NY  
(US)

(\*\*) Term: **14 Years**

\* cited by examiner

(21) Appl. No.: **29/446,897**

*Primary Examiner* — Ricky Pham

(22) Filed: **Feb. 28, 2013**

(74) *Attorney, Agent, or Firm* — Notaro, Michalos & Zaccaria P.C.

(51) **LOC (9) Cl.** ..... **07-02**

(57) **CLAIM**

(52) **U.S. Cl.**  
USPC ..... **D7/352; D7/362**

The ornamental design for a cookie oven, as shown and described.

(58) **Field of Classification Search**

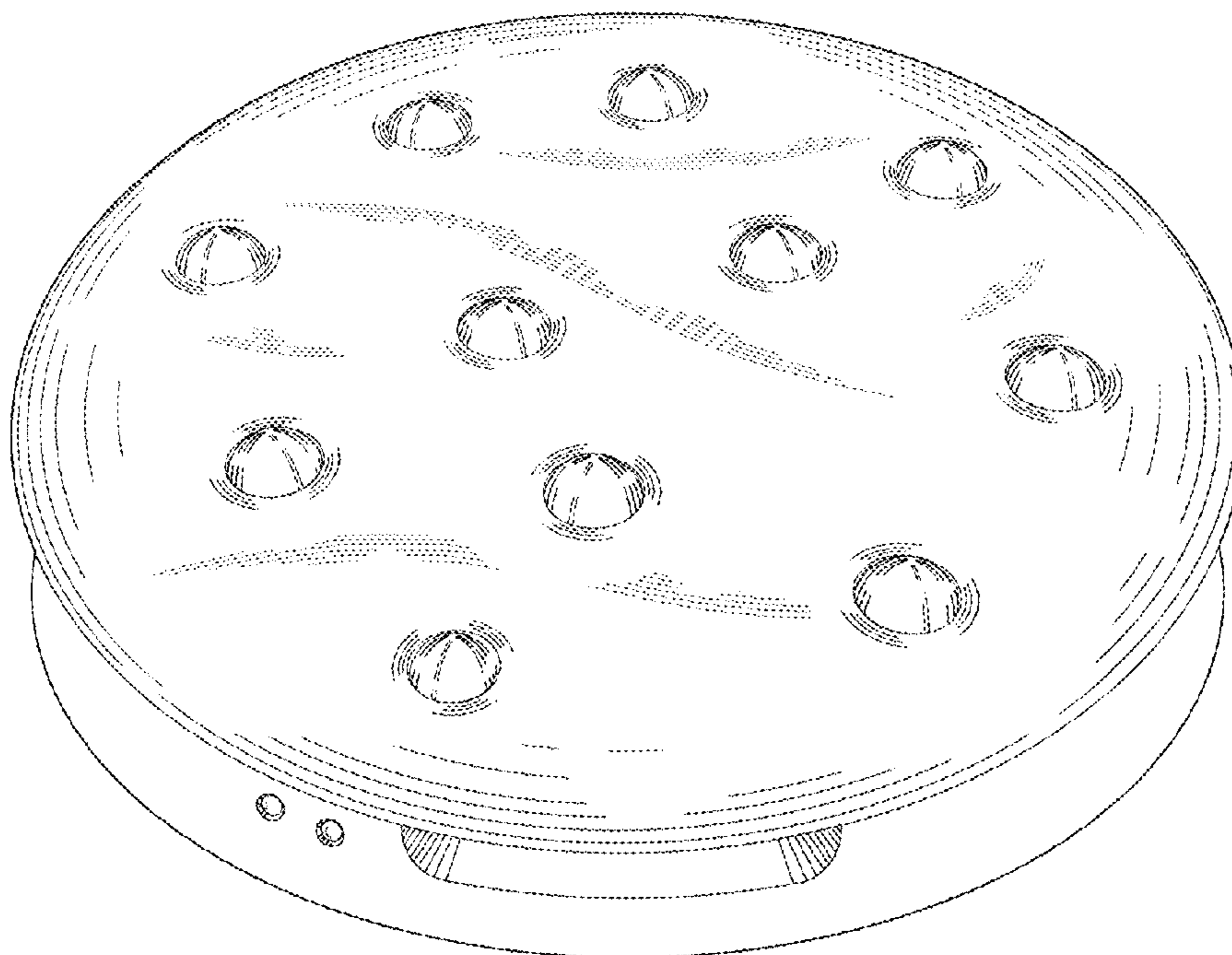
**DESCRIPTION**

USPC ..... D7/323, 329–331, 337, 339, 346–347,  
D7/350.1–350.4, 352–367, 388, 393, 395,  
D7/402, 409–410, 538, 542, 672–674;  
99/324–325, 331–332, 337–349, 358, 369–376,  
99/380, 389, 400–418, 422, 425, 444–446,  
99/483; 126/37 R, 261, 378.1; 206/501–505,  
206/507–508; 219/386, 400, 405, 429–442,  
219/450.1, 452.13, 524, 620–624, 725, 730–735;  
220/23.8, 315, 573.1–573.5, 912; 426/438,  
426/441, 549

FIG. 1 is a top front perspective view of a cookie oven showing my design therefor;  
FIG. 2 is a top plan view thereof;  
FIG. 3 is a bottom plan view thereof;  
FIG. 4 is a front elevational view thereof,  
FIG. 5 is a rear elevational view thereof;  
FIG. 6 is a side elevational view thereof, the opposite side being identical; and,  
FIG. 7 is a bottom front perspective view thereof.

See application file for complete search history.

**1 Claim, 7 Drawing Sheets**



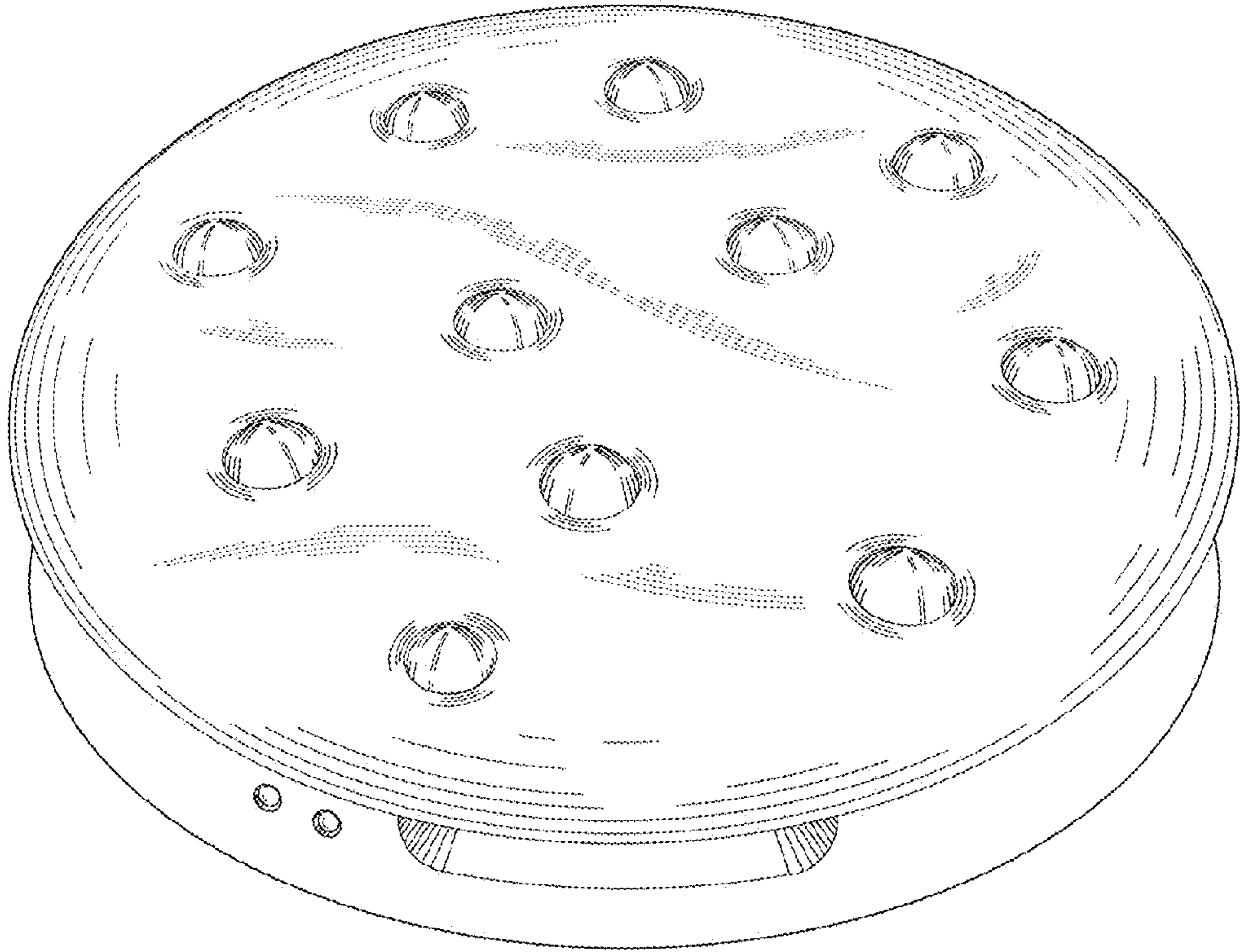


FIG.1

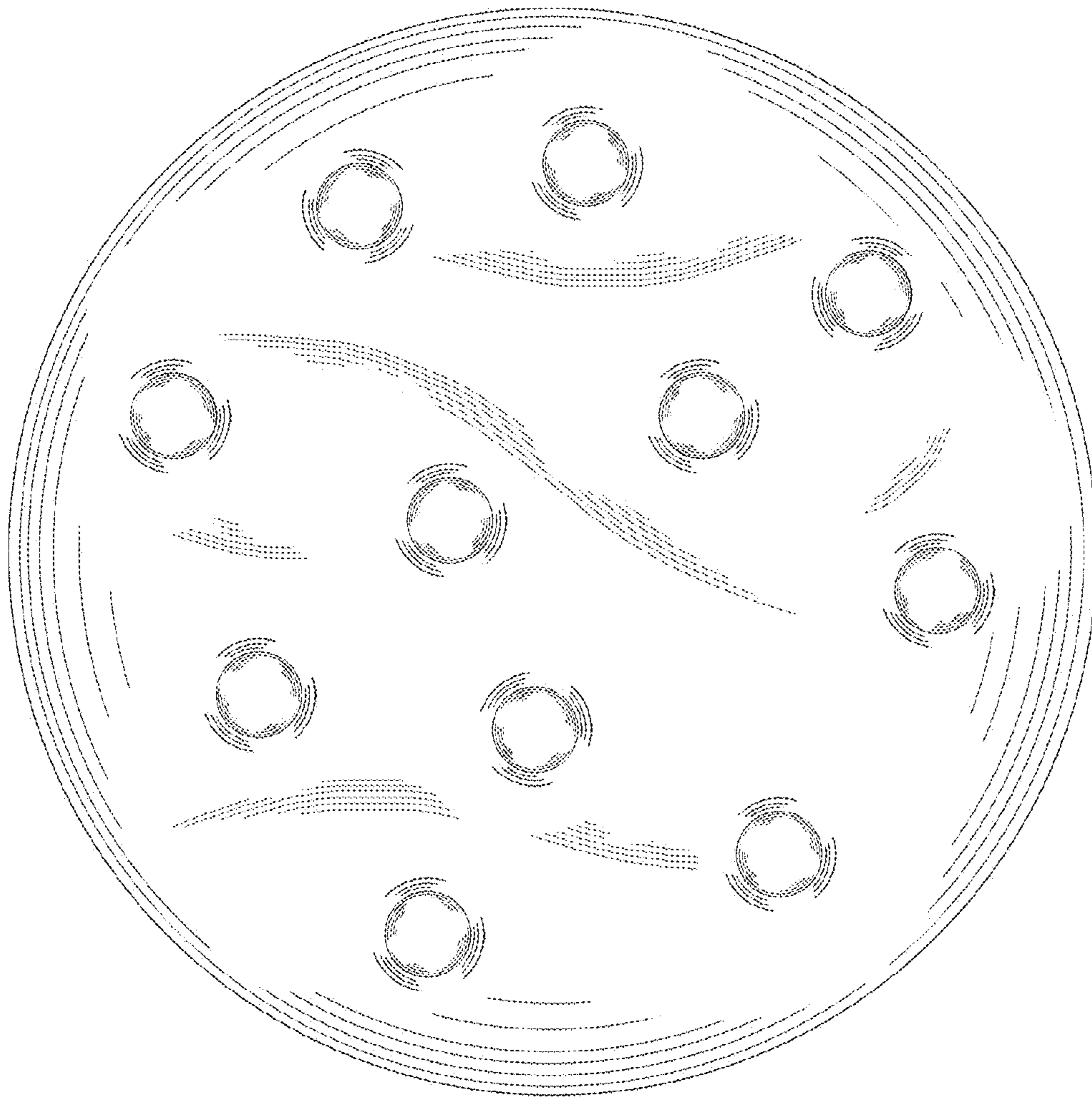


FIG.2

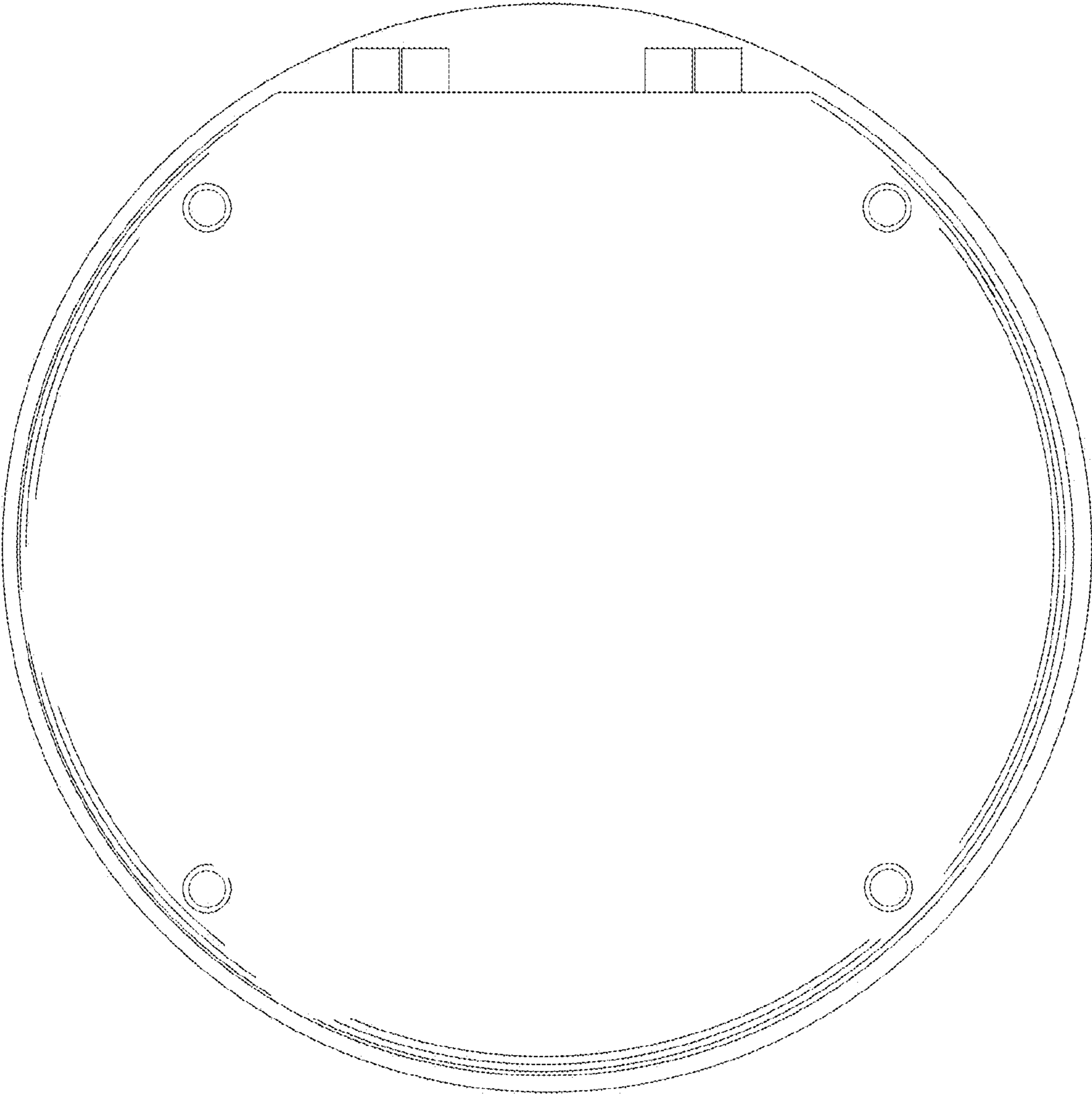


FIG.3



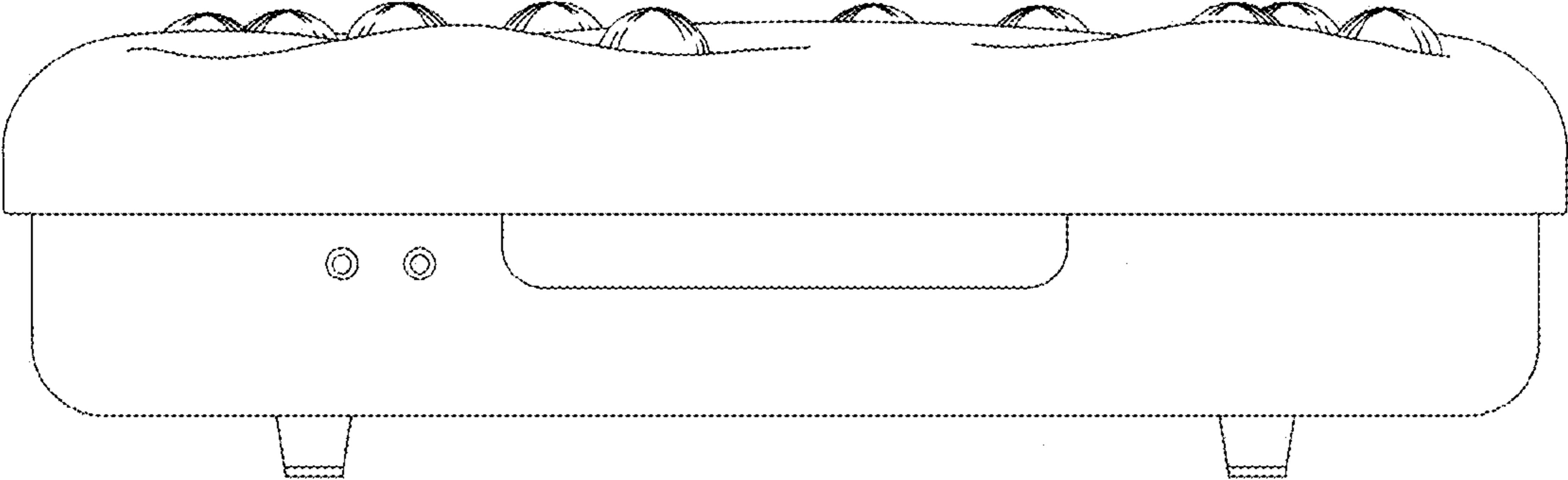


FIG.4

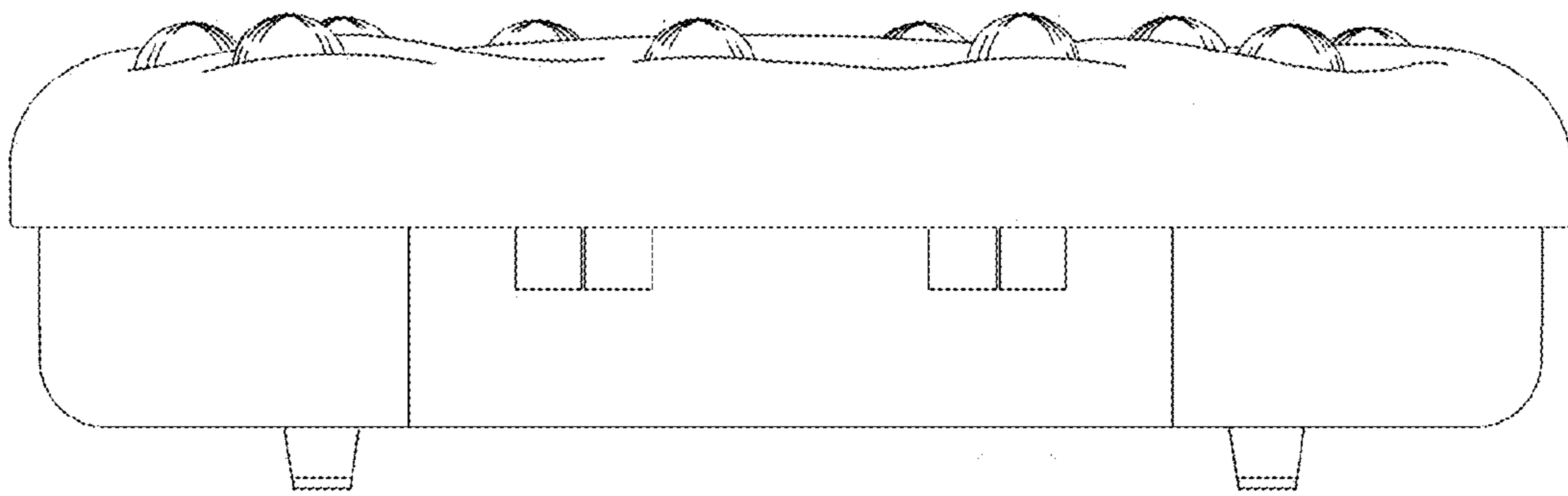


FIG.5

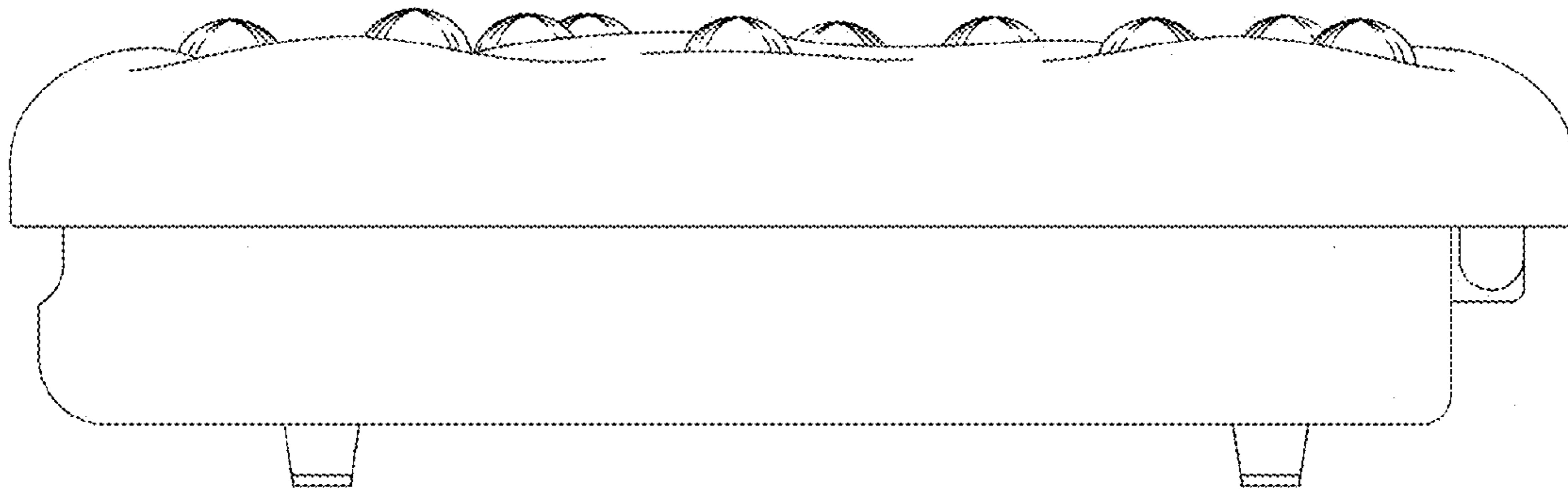


FIG.6

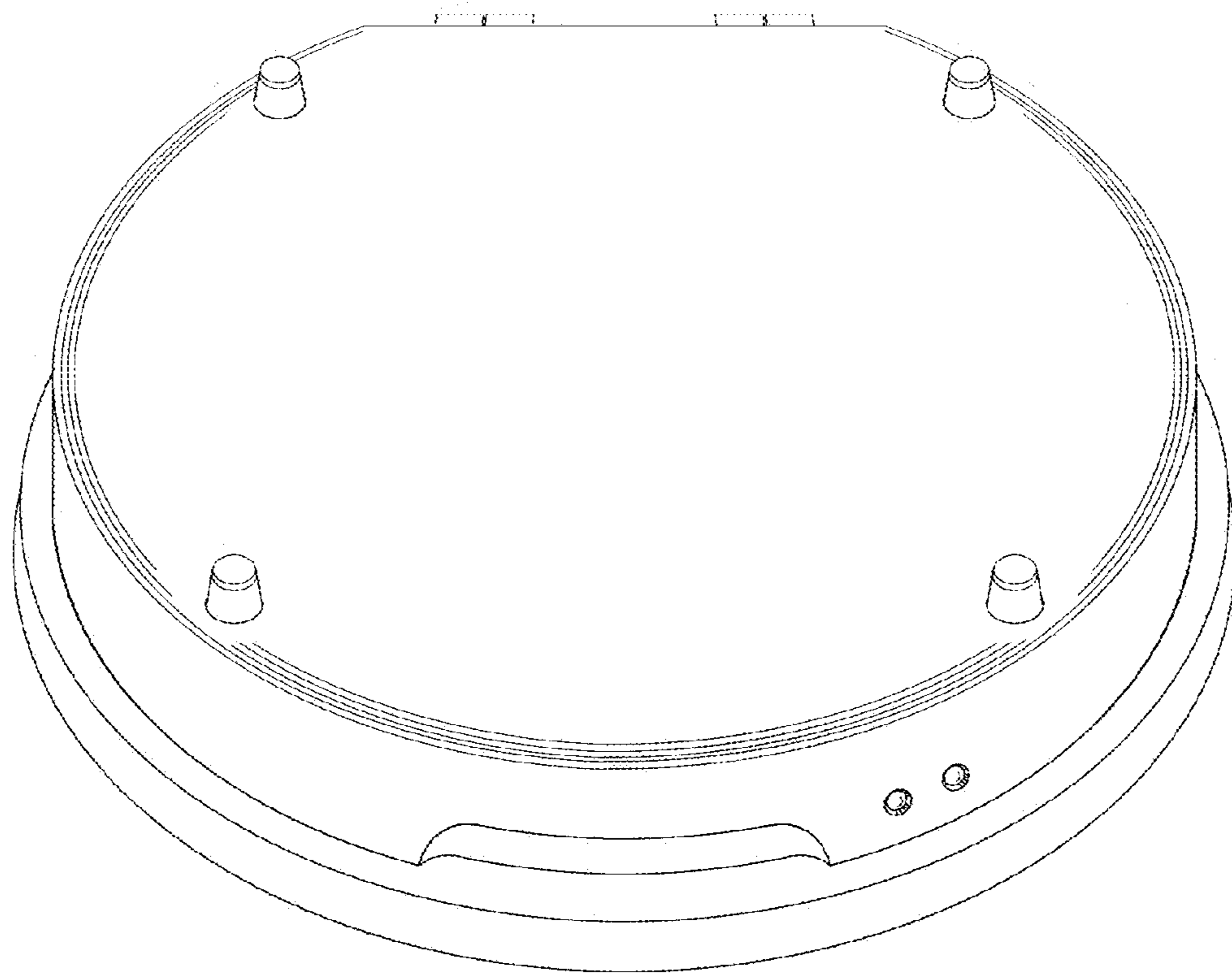


FIG.7