



US00D689322S

(12) **United States Design Patent**
Chung

(10) **Patent No.:** **US D689,322 S**

(45) **Date of Patent:** **** Sep. 10, 2013**

(54) **BARBECUE GRILL**

(76) Inventor: **Kiosky Chung**, Taichung (TW)

(**) Term: **14 Years**

(21) Appl. No.: **29/431,860**

(22) Filed: **Sep. 11, 2012**

(51) **LOC (9) Cl.** **07-02**

(52) **U.S. Cl.**
USPC **D7/332**

(58) **Field of Classification Search**
USPC D7/332, 334-337, 402-404, 406,
D7/409; 126/25 R, 41 R, 38, 9 R, 9 A, 9 B,
126/40, 50, 37 R, 304 R, 305; 99/450, 481,
99/482; 248/163.1, 440.1, 188.1, 127;
108/157.13

See application file for complete search history.

(56) **References Cited**

U.S. PATENT DOCUMENTS

D638,654 S * 5/2011 Plott D7/332
D653,897 S * 2/2012 Chung D7/332

D676,702 S * 2/2013 Chung D7/337
D677,111 S * 3/2013 Chung D7/337
2008/0271728 A1* 11/2008 Pai 126/25 R

* cited by examiner

Primary Examiner — Ruth McInroy

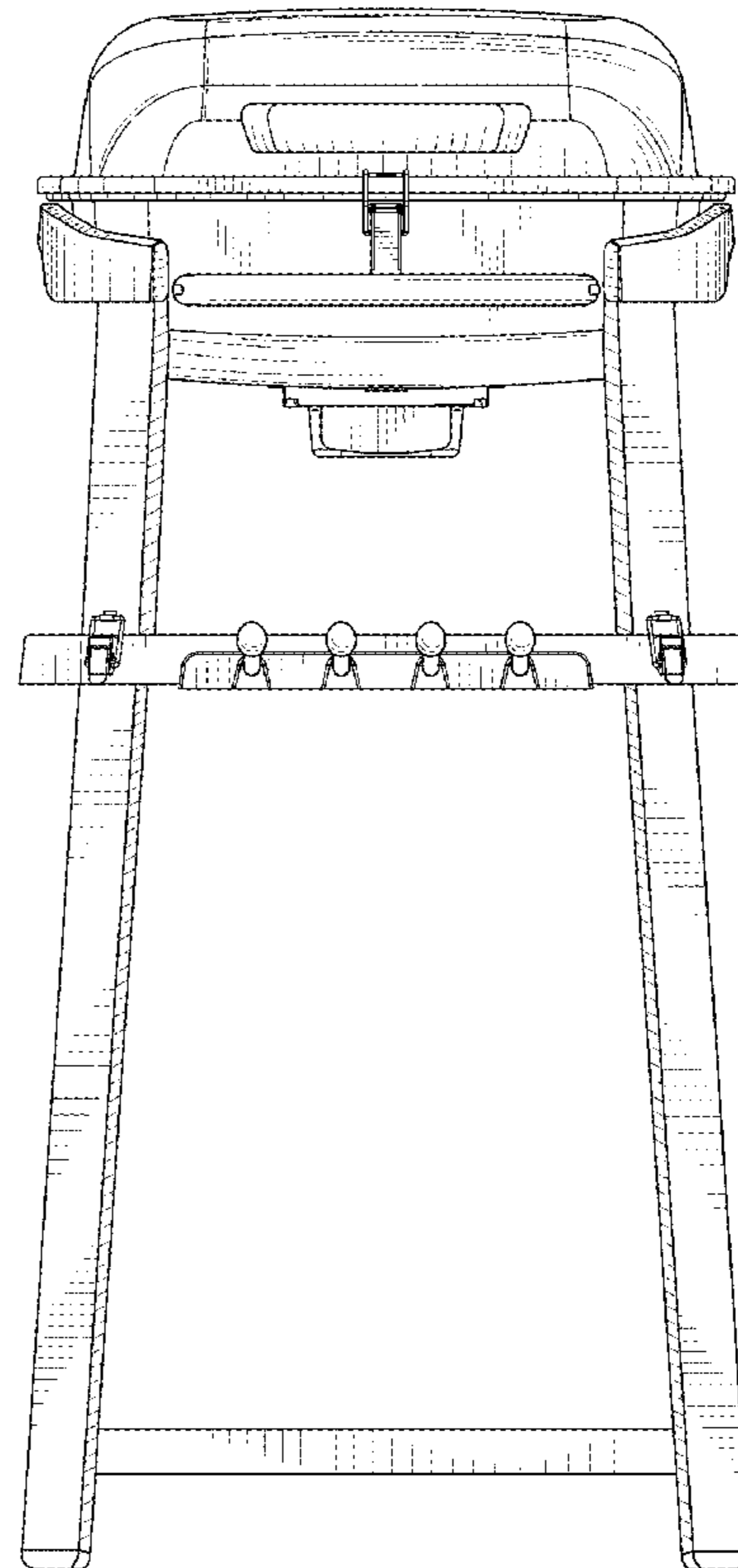
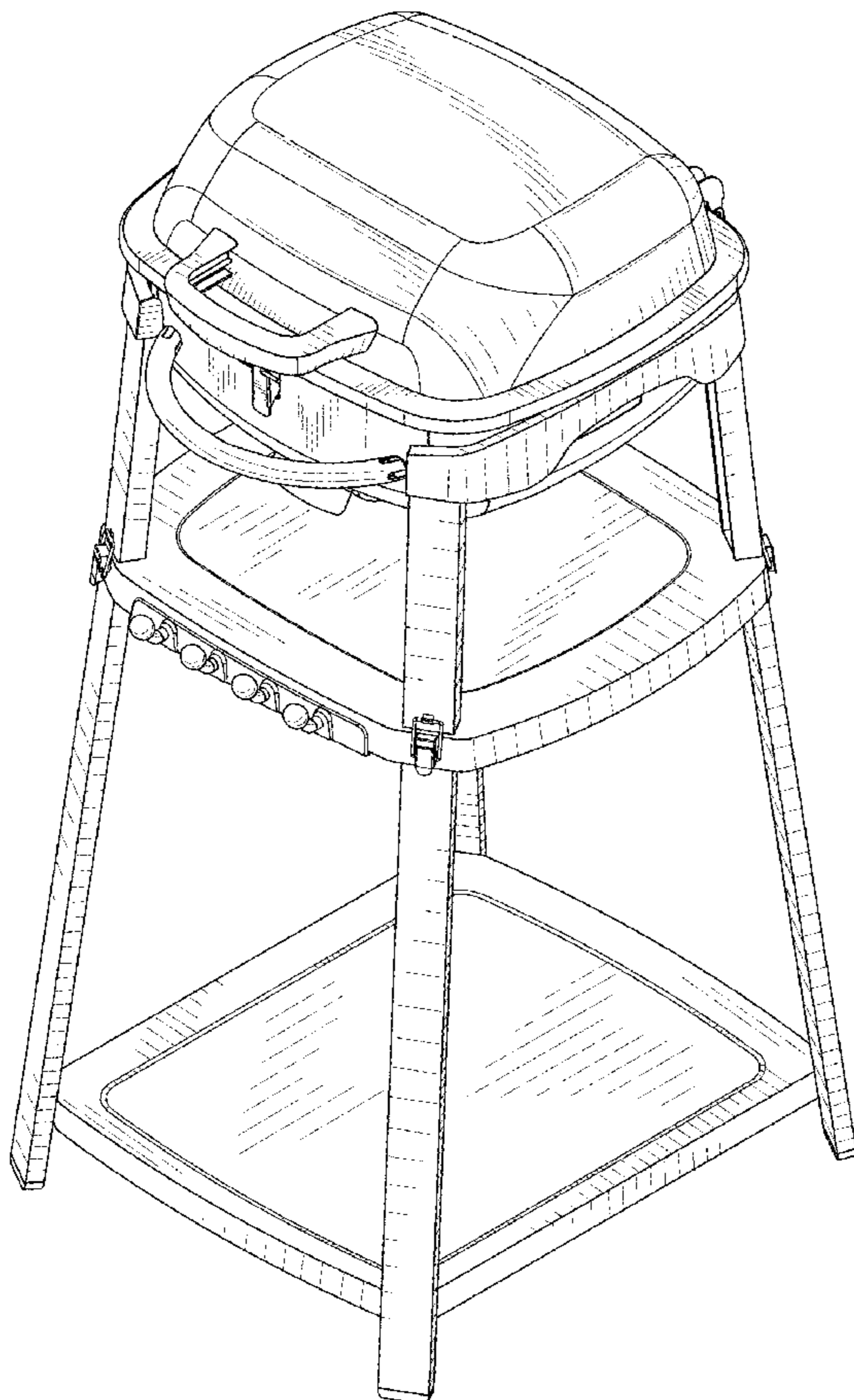
(57) **CLAIM**

I claim the ornamental design for a barbecue grill, as shown and described.

DESCRIPTION

FIG. 1 is a perspective view of a barbecue grill, showing my new design;
FIG. 2 is a front elevational view thereof;
FIG. 3 is a rear elevational view thereof;
FIG. 4 is a left side elevational view thereof;
FIG. 5 is a right side elevational view thereof;
FIG. 6 is a top plan view thereof; and,
FIG. 7 is a bottom plan view thereof.
The broken lines shown in the drawings are for the purpose of illustrating unclaimed portions of the barbecue grill and form no part of the claimed design.

1 Claim, 7 Drawing Sheets



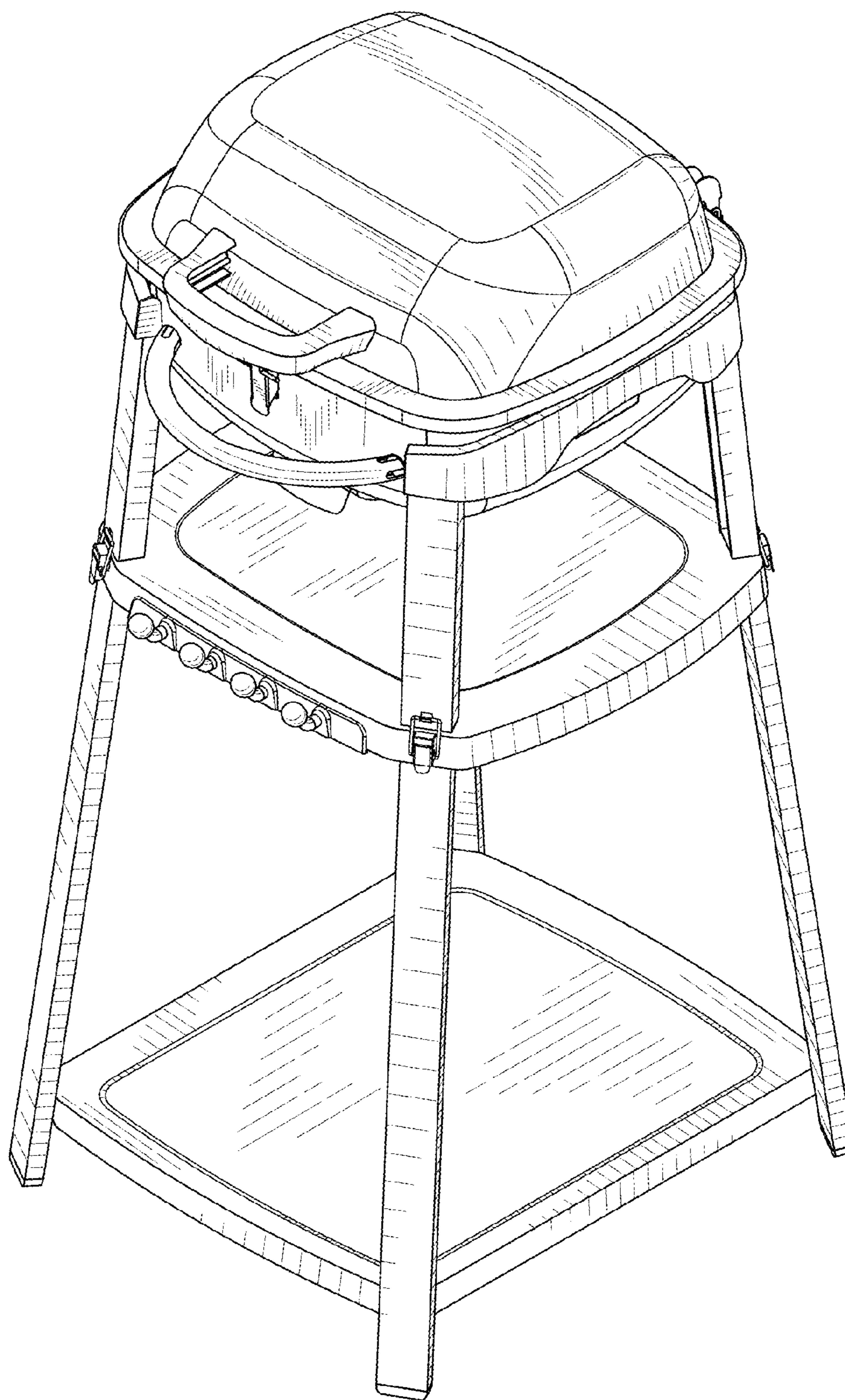


FIG. 1

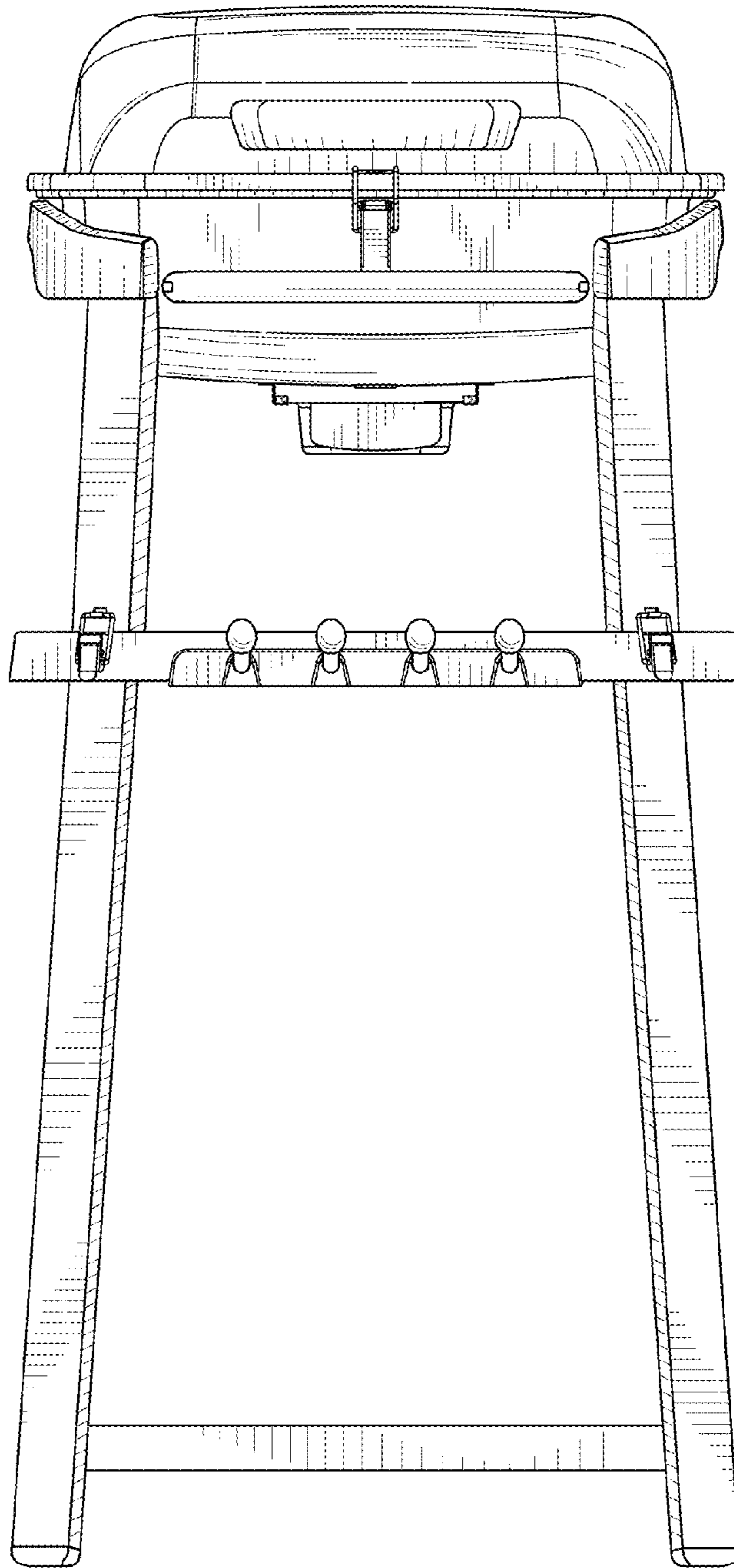


FIG. 2

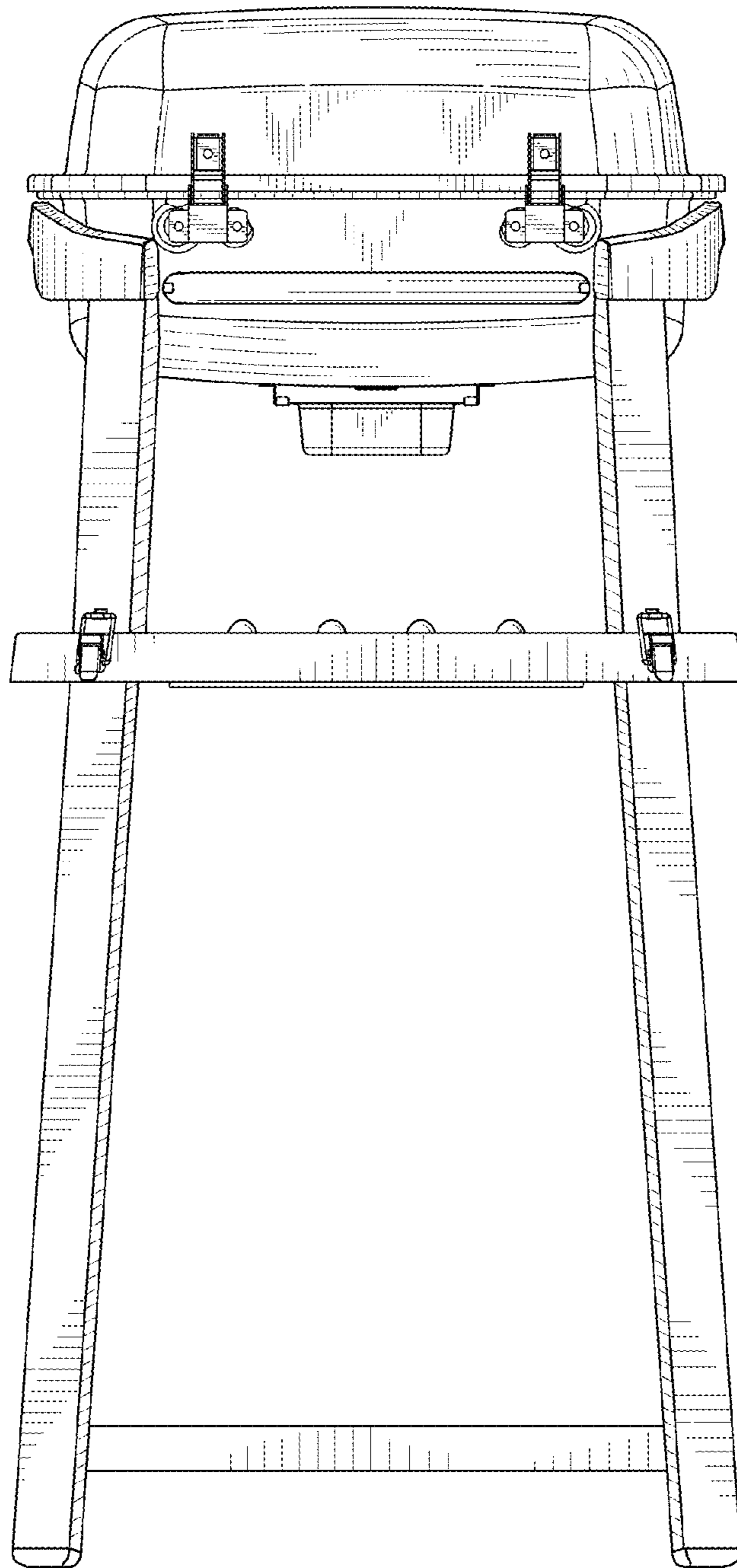


FIG. 3

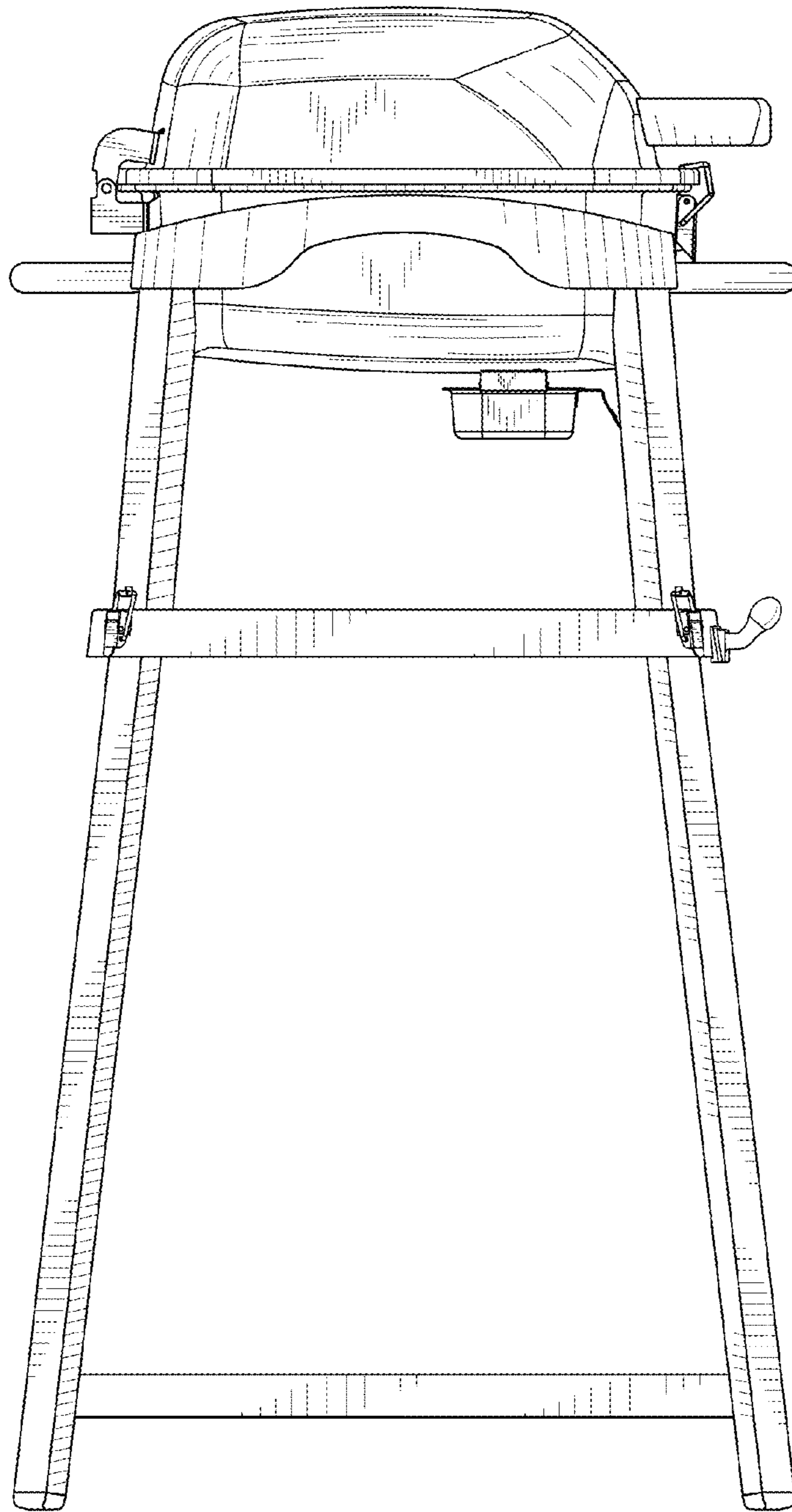


FIG. 4

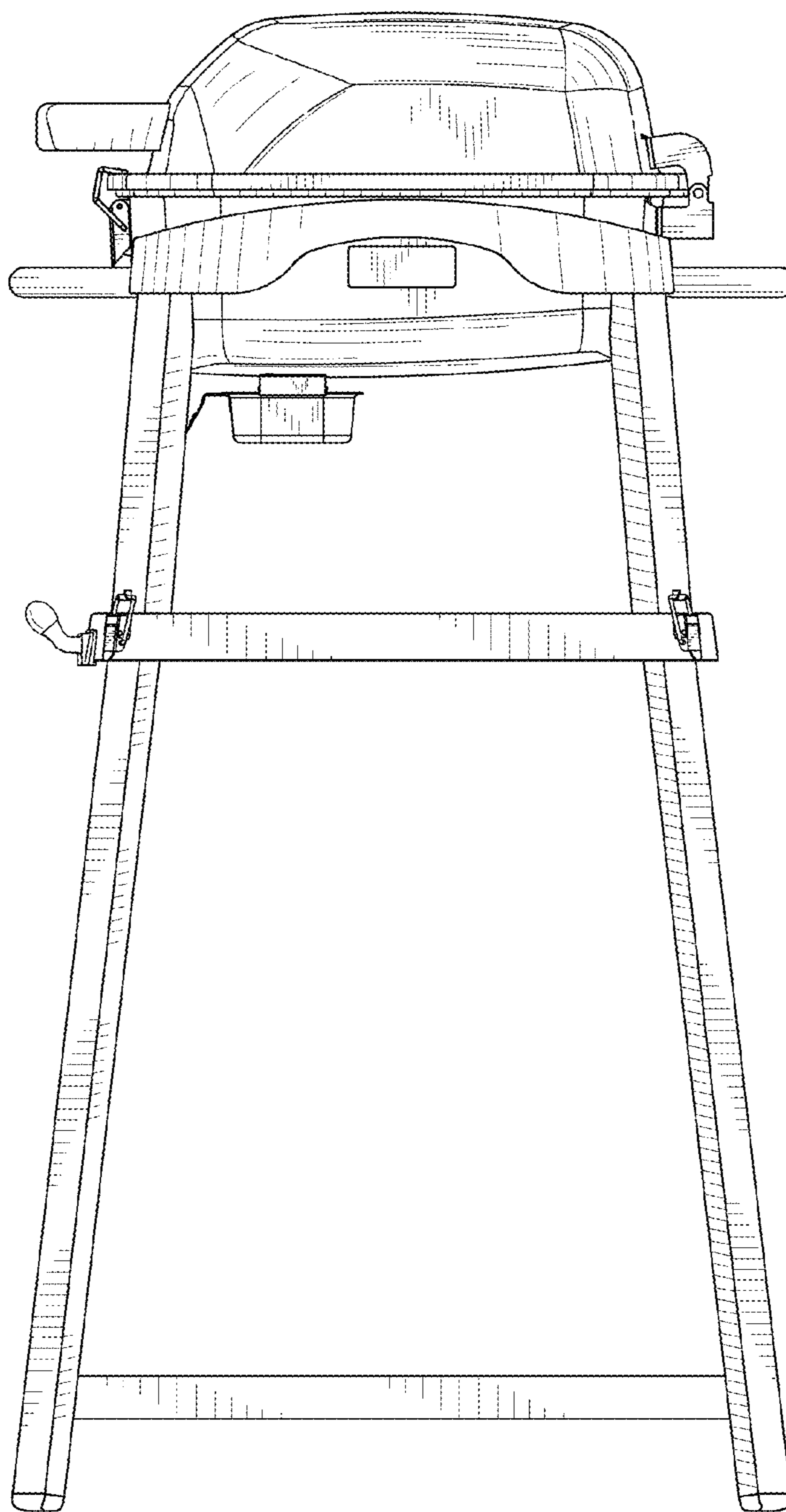


FIG. 5

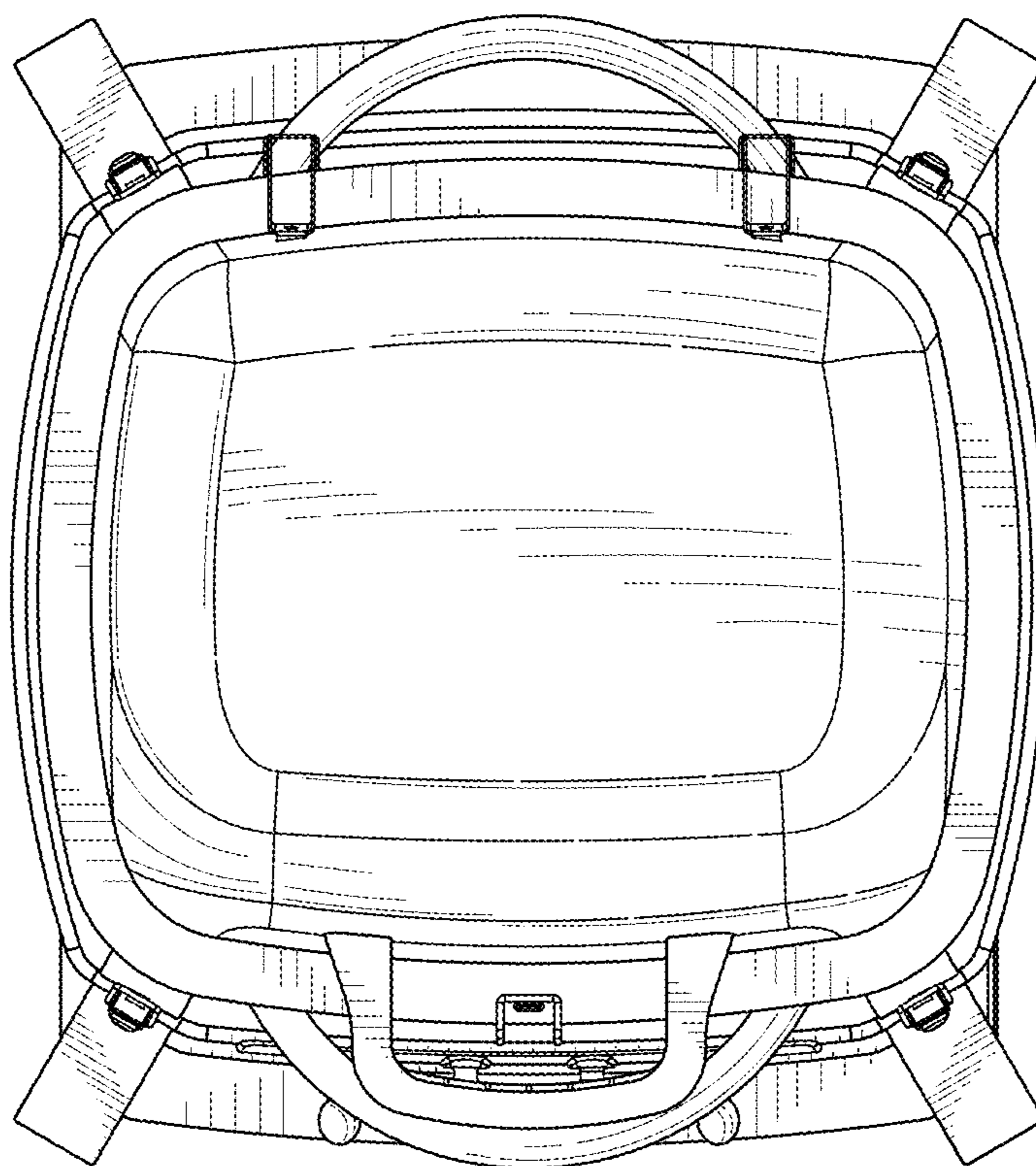


FIG. 6

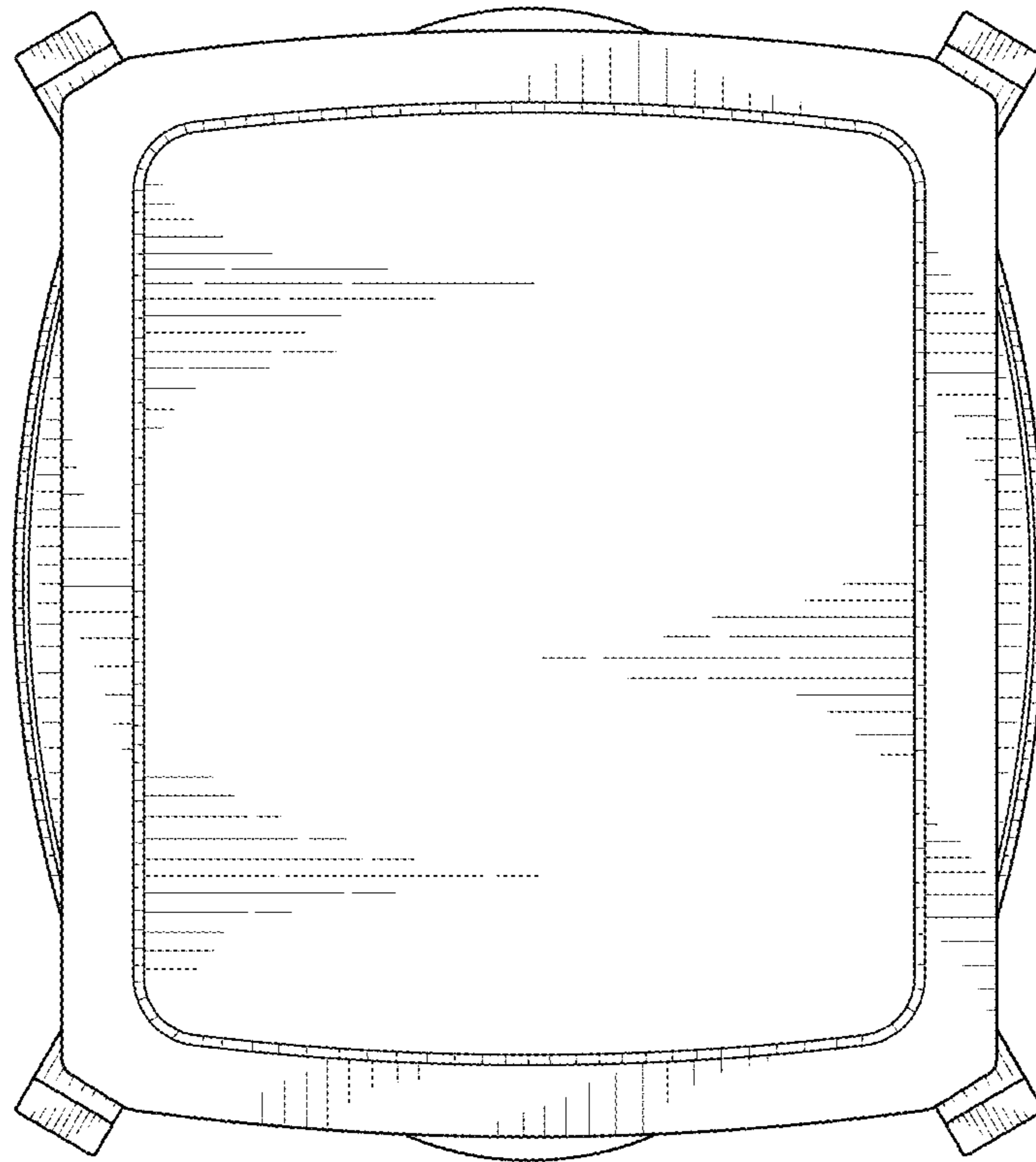


FIG. 7