



US00D689316S

(12) **United States Design Patent**
Lee

(10) **Patent No.:** **US D689,316 S**
(45) **Date of Patent:** **** Sep. 10, 2013**

(54) **BACKREST FOR A BENCH**

(71) Applicant: **Justin Lee**, Houston, TX (US)

(72) Inventor: **Justin Lee**, Houston, TX (US)

(**) Term: **14 Years**

(21) Appl. No.: **29/444,207**

(22) Filed: **Jan. 28, 2013**

(51) **LOC (9) Cl.** **06-01**

(52) **U.S. Cl.**
USPC **D6/716.4**; D6/366

(58) **Field of Classification Search**
USPC D6/334-336, 358, 369, 370, 374,
D6/376, 379, 380, 381, 716, 716.1, 716.2,
D6/716.3, 716.4; 297/181, 232, 451.9, 452.18,
297/452.63, 452.64

See application file for complete search history.

(56) **References Cited**

U.S. PATENT DOCUMENTS

D405,302 S *	2/1999 Lum	D6/716.4
D658,411 S *	5/2012 Lee	D6/716.4
D670,940 S *	11/2012 Lee	D6/716.4

* cited by examiner

Primary Examiner — Mimoso De
(74) *Attorney, Agent, or Firm* — Egbert Law Offices, PLLC

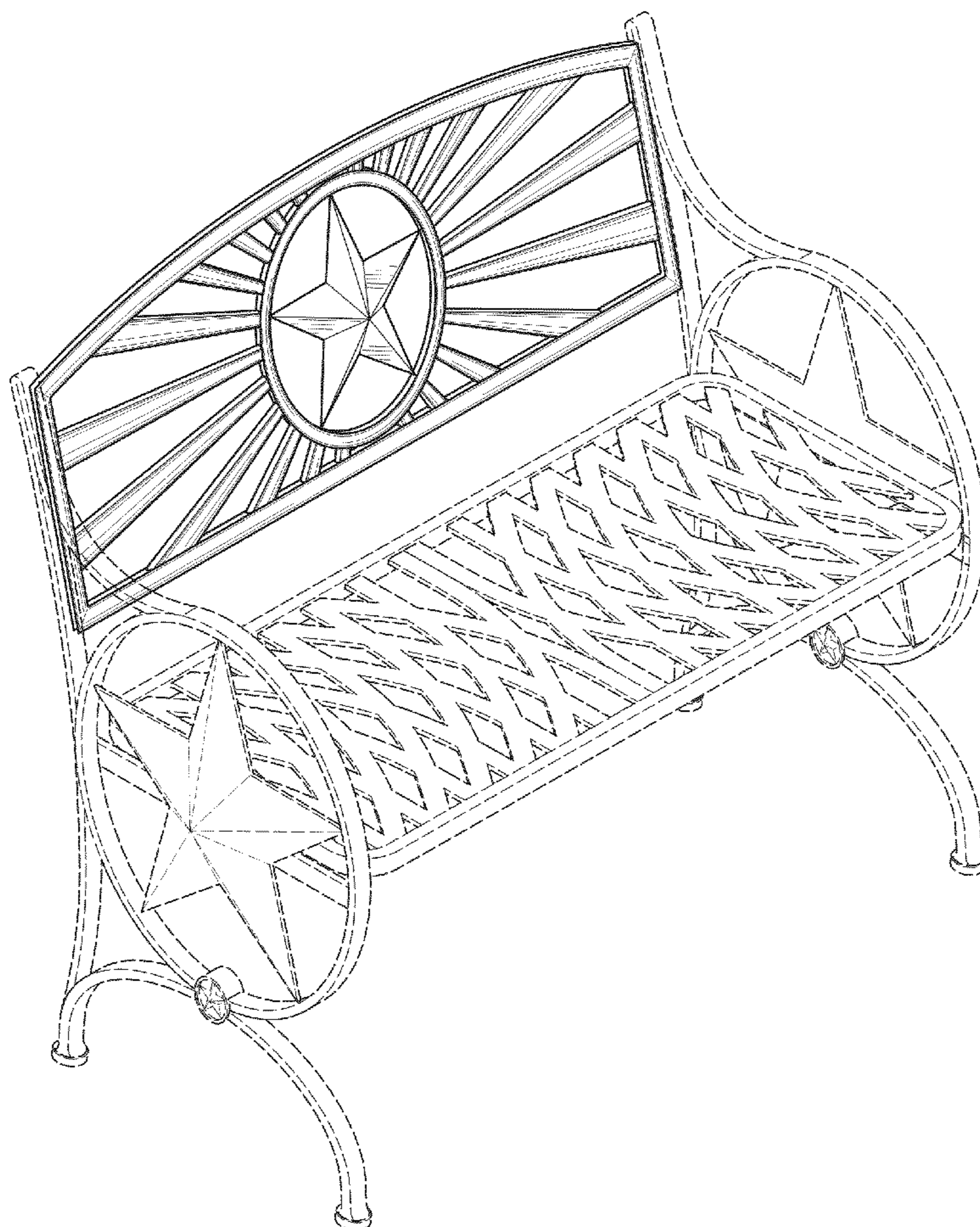
(57) **CLAIM**

The ornamental design for a backrest for a bench, as shown and described.

DESCRIPTION

FIG. 1 is an upper perspective view of the backrest for a bench showing my new design.
FIG. 2 is a front view thereof;
FIG. 3 is a back view thereof;
FIG. 4 is a side view thereof;
FIG. 5 is an opposite side view thereof;
FIG. 6 is a top view thereof; and,
FIG. 7 is a bottom view thereof.
The features presented in broken lines are for environmental purposes only and form no part of the claimed design.

1 Claim, 4 Drawing Sheets



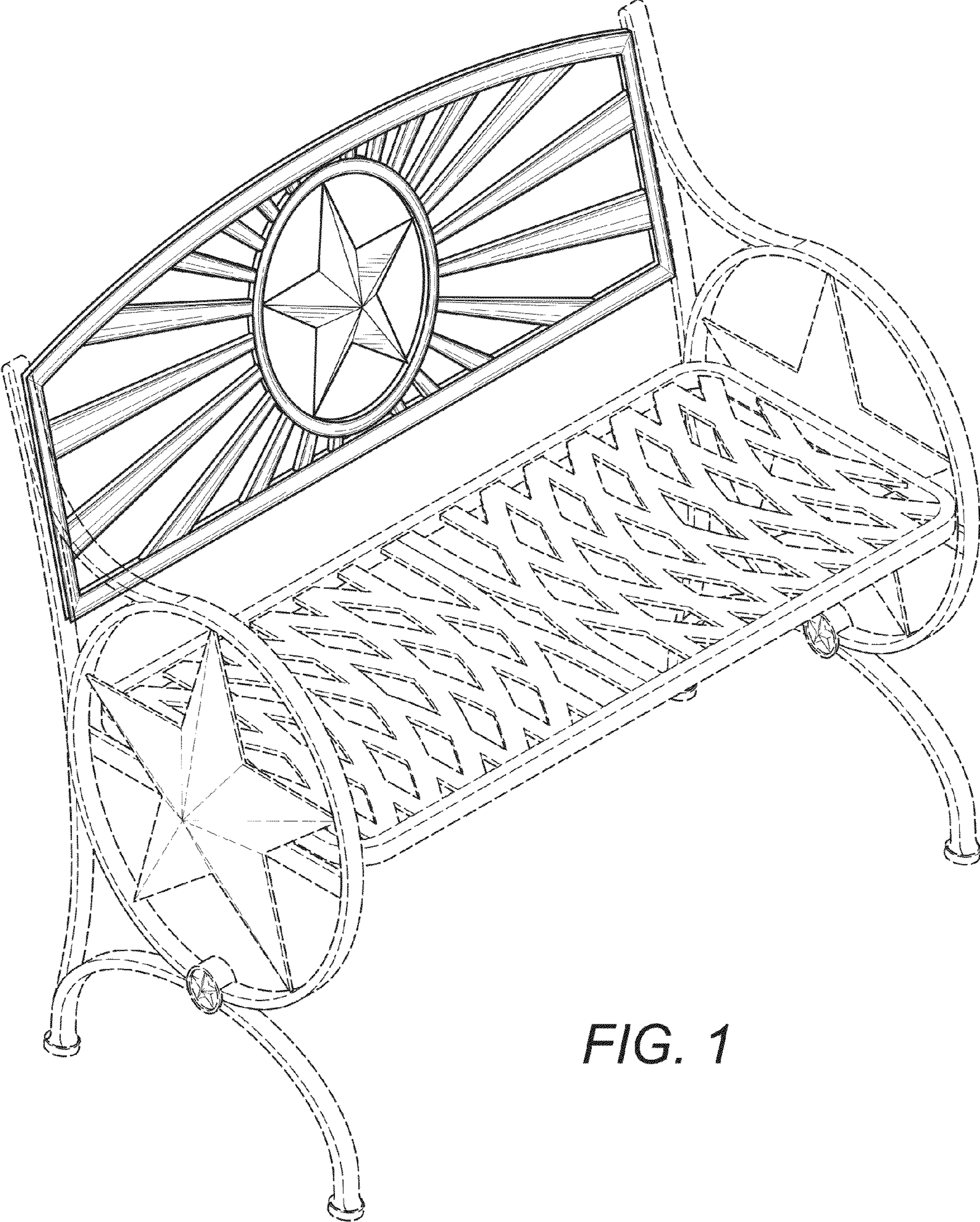


FIG. 1

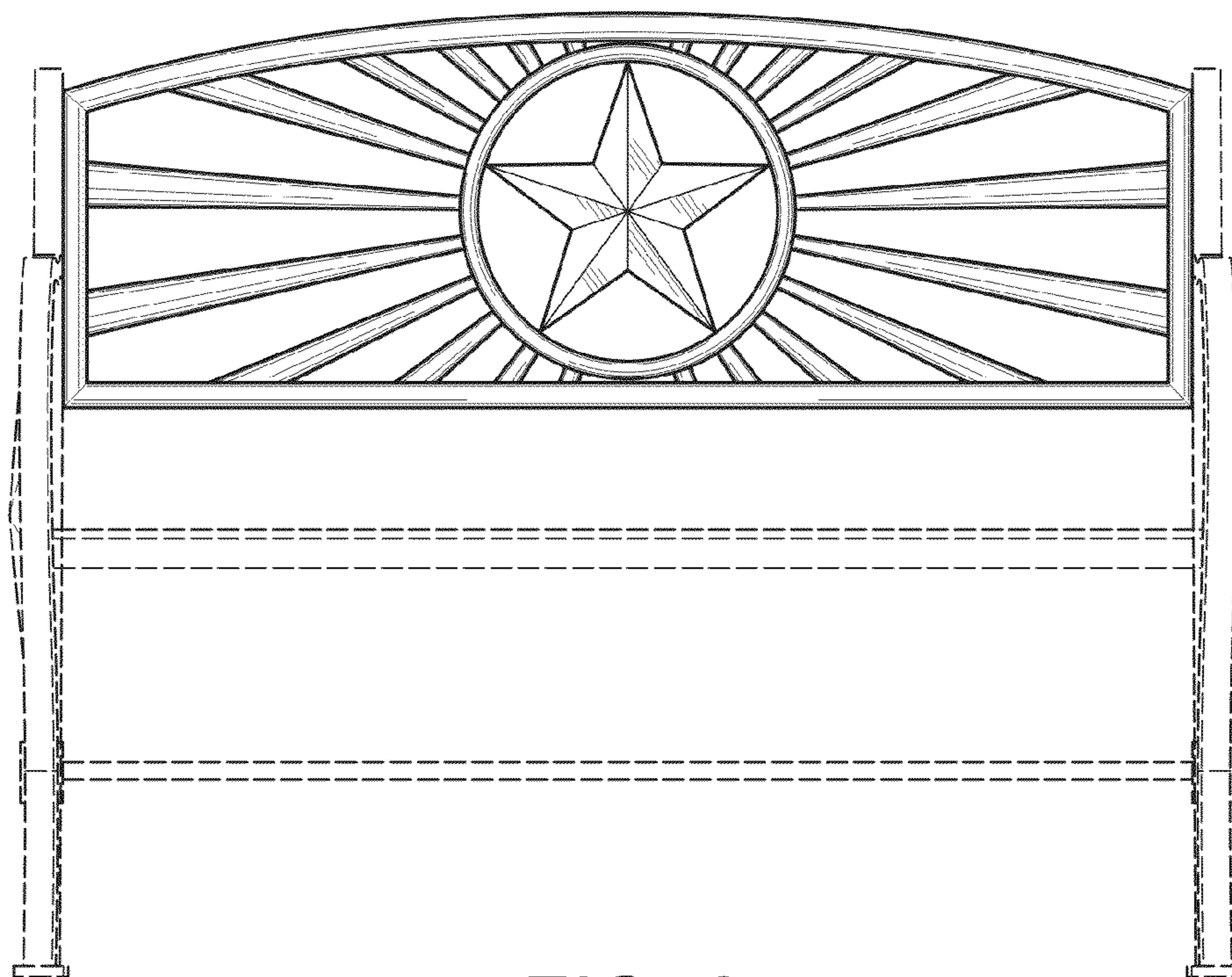


FIG. 2

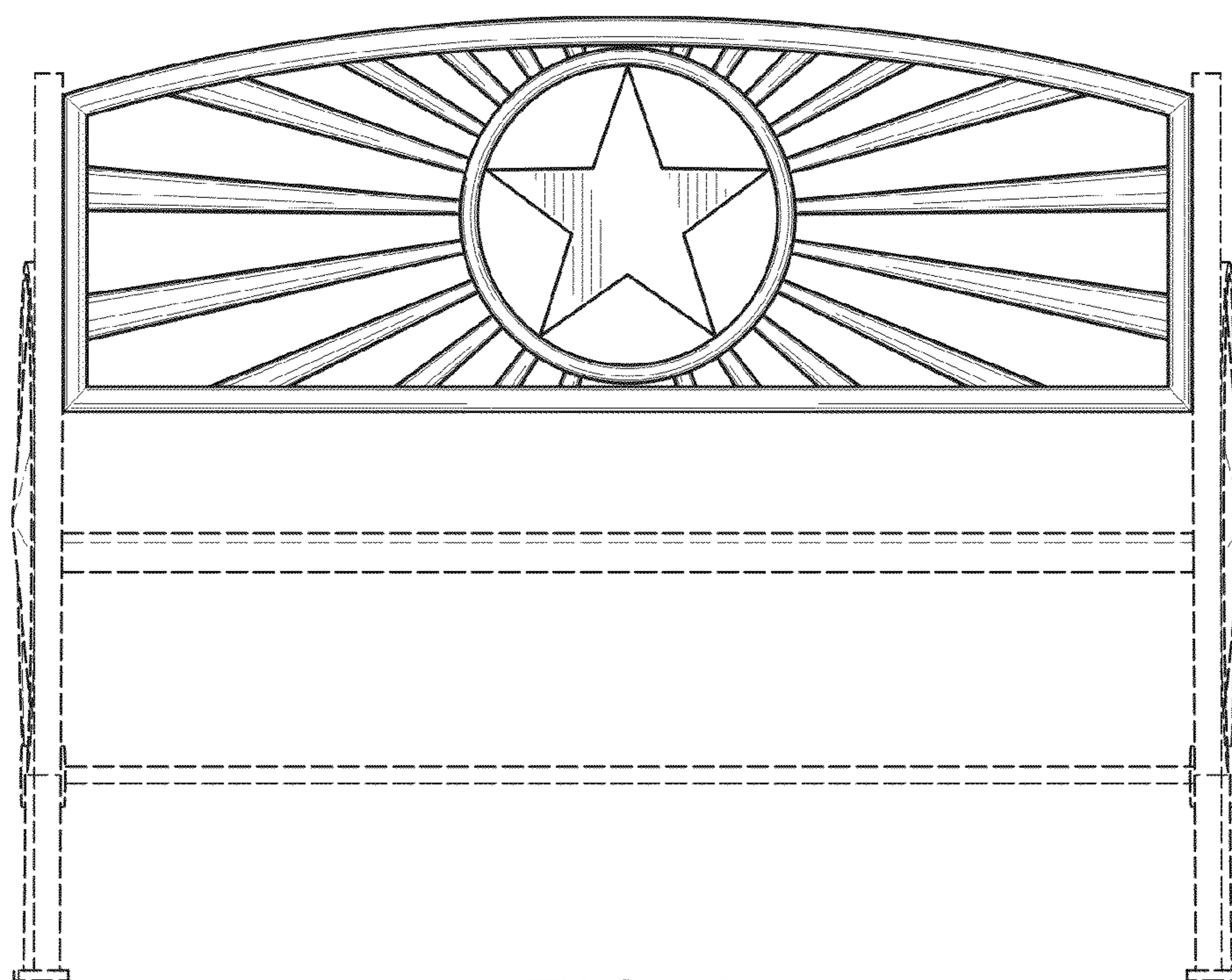


FIG. 3

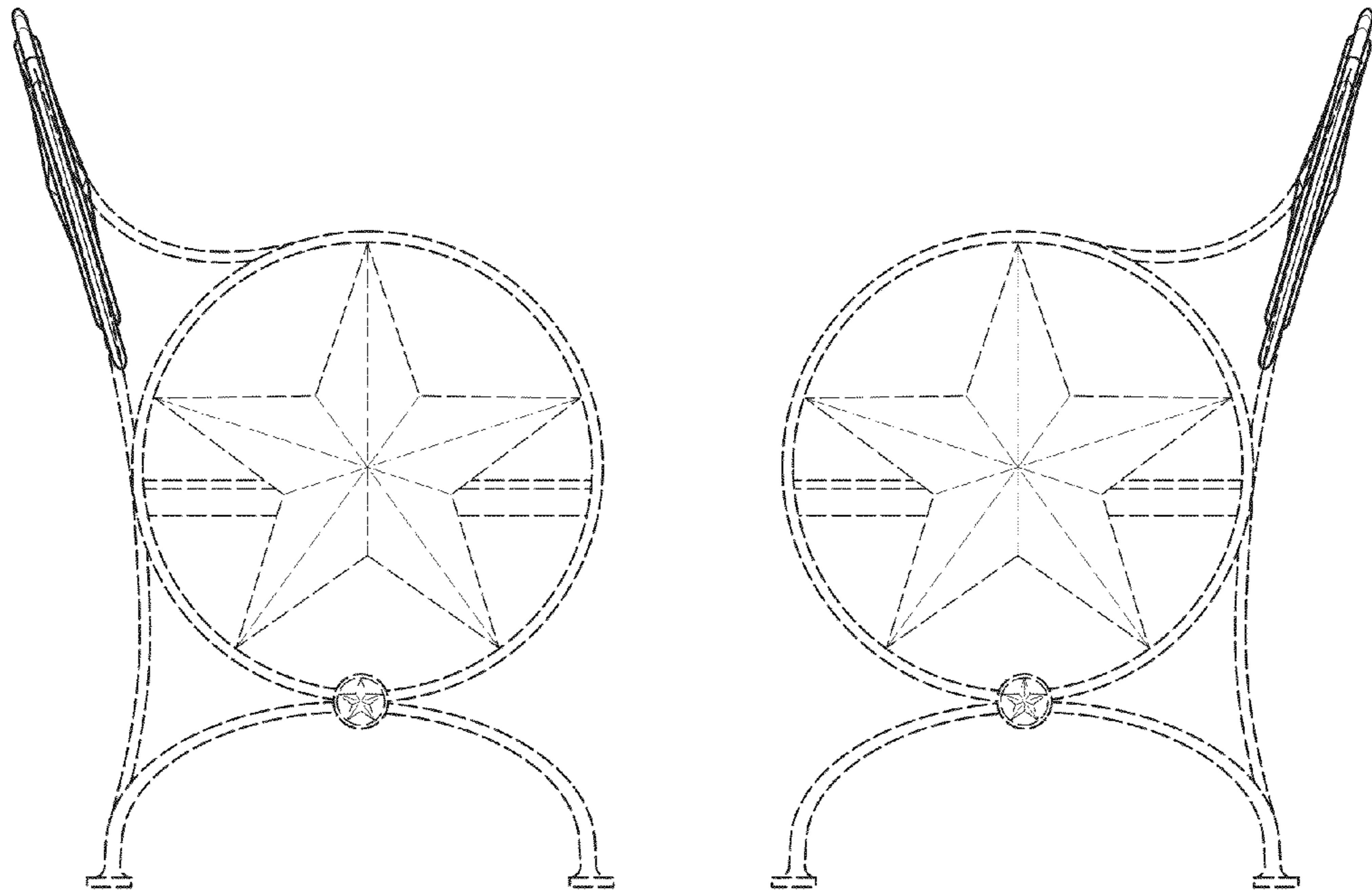


FIG. 4

FIG. 5

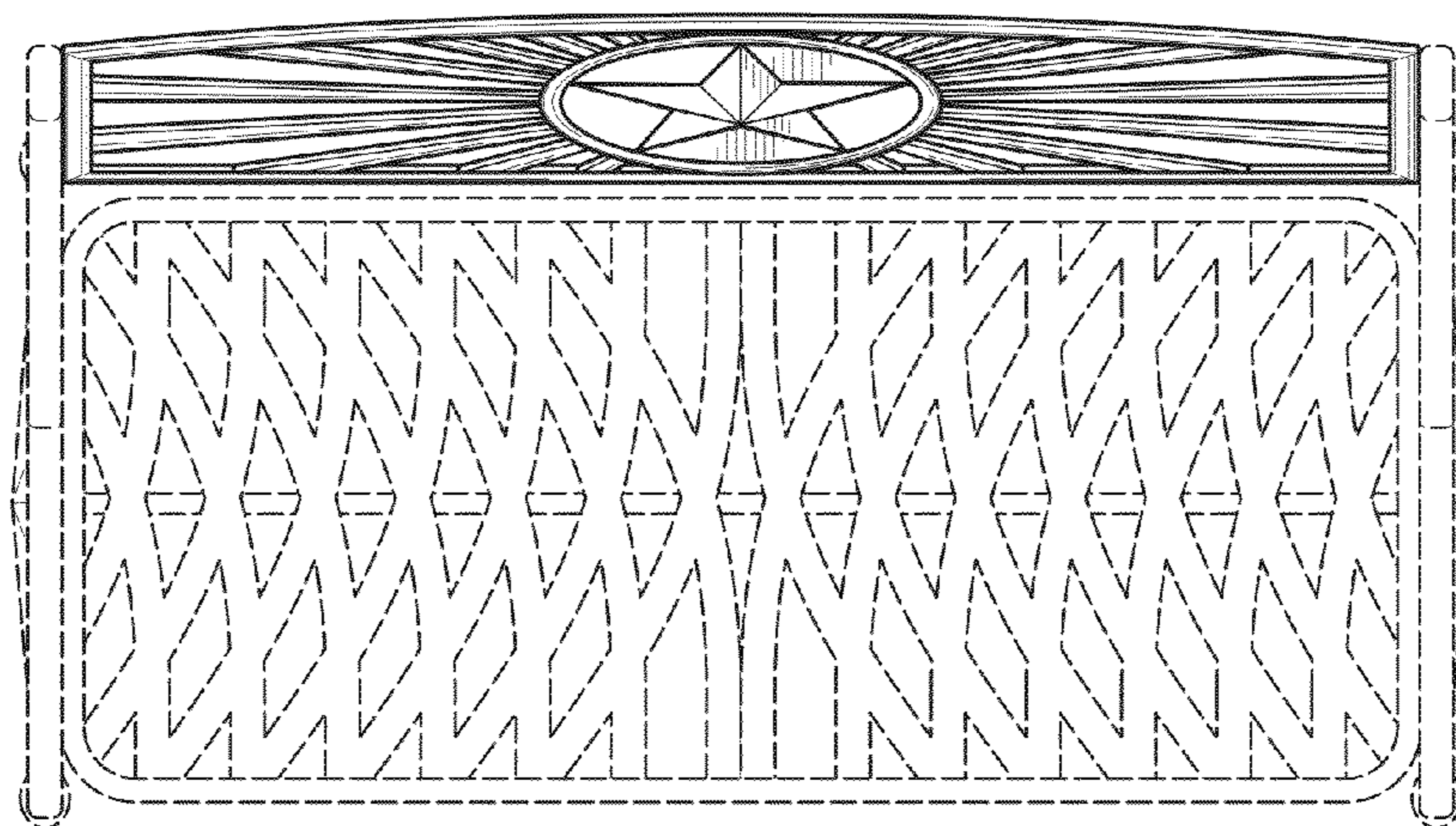


FIG. 6

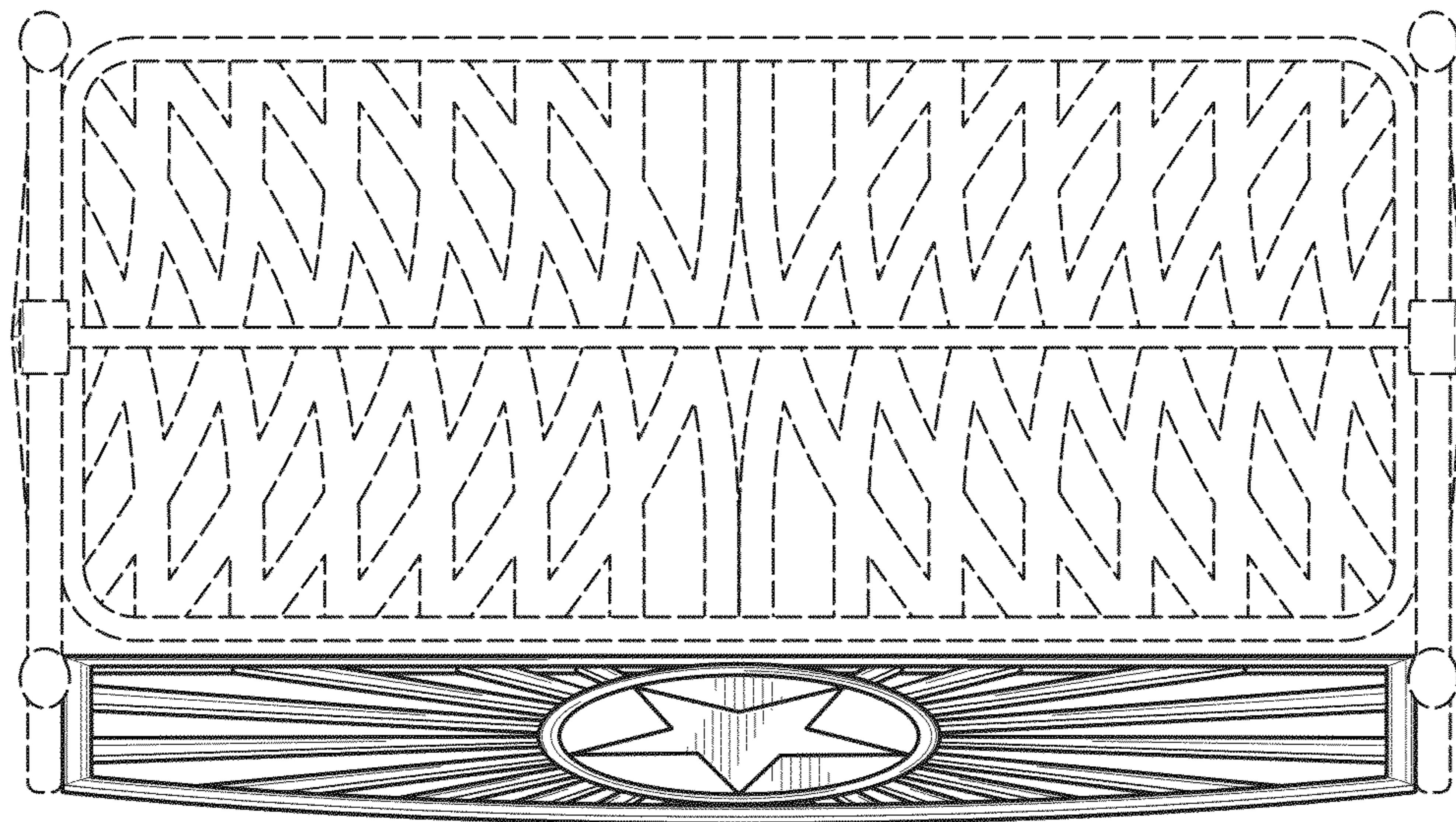


FIG. 7