



US00D689309S

(12) **United States Design Patent**
Burt et al.

(10) **Patent No.:** **US D689,309 S**

(45) **Date of Patent:** **** Sep. 10, 2013**

(54) **CONVERTIBLE TABLE**

(76) Inventors: **Andrew Burt**, Burlington (CA); **Joseph Paonessa**, Toronto (CA)

(**) Term: **14 Years**

(21) Appl. No.: **29/395,988**

(22) Filed: **Apr. 30, 2012**

Related U.S. Application Data

(63) Continuation of application No. 29/349,513, filed on Apr. 9, 2010.

(51) **LOC (9) Cl.** **06-03**

(52) **U.S. Cl.**
USPC **D6/686; D6/692.1**

(58) **Field of Classification Search**
USPC D6/480-489, 429-431, 495-499;
108/150, 153.1, 155, 156, 161, 65, 66, 69,
108/59, 76, 77, 71, 93, 105; 248/188, 188.1,
248/188.7, 188.8

See application file for complete search history.

(56) **References Cited**

U.S. PATENT DOCUMENTS

| | | | | | |
|-----------|-----|--------|----------------|-------|---------|
| 1,655,607 | A * | 1/1928 | Hueter | | 273/309 |
| 2,933,359 | A * | 4/1960 | Fizdale | | 108/77 |
| D276,955 | S * | 1/1985 | Hanemaayer | | D6/430 |
| 4,646,654 | A * | 3/1987 | Sullivan | | 108/69 |
| D393,969 | S * | 5/1998 | Jenkins et al. | | D6/511 |
| D546,589 | S * | 7/2007 | Kreiss | | D6/484 |

* cited by examiner

Primary Examiner — Janice Seeger

(74) *Attorney, Agent, or Firm* — Lewis Anten, Esq.

(57) **CLAIM**

The ornamental design for a convertible table, as shown and described herein.

DESCRIPTION

Portions of the disclosure of this patent document contain material that is subject to copyright protection. The copyright owner has no objection to the facsimile reproduction by anyone of the patent document or the patent disclosure as it appears in the Patent and Trademark Office file or records, but otherwise reserves all copyright rights whatsoever.

FIG. 1 is a top view of the present invention in a closed position in accordance with the new design.

FIG. 2 is a top view of the new design in an open condition.

FIG. 3 is a front view of the new design in the closed position.

The rear view is the same.

FIG. 4 is a front view of the new design in the open position.

The rear view is the same.

FIG. 5 is a right side view of the new design in the closed position. The left side view is the same.

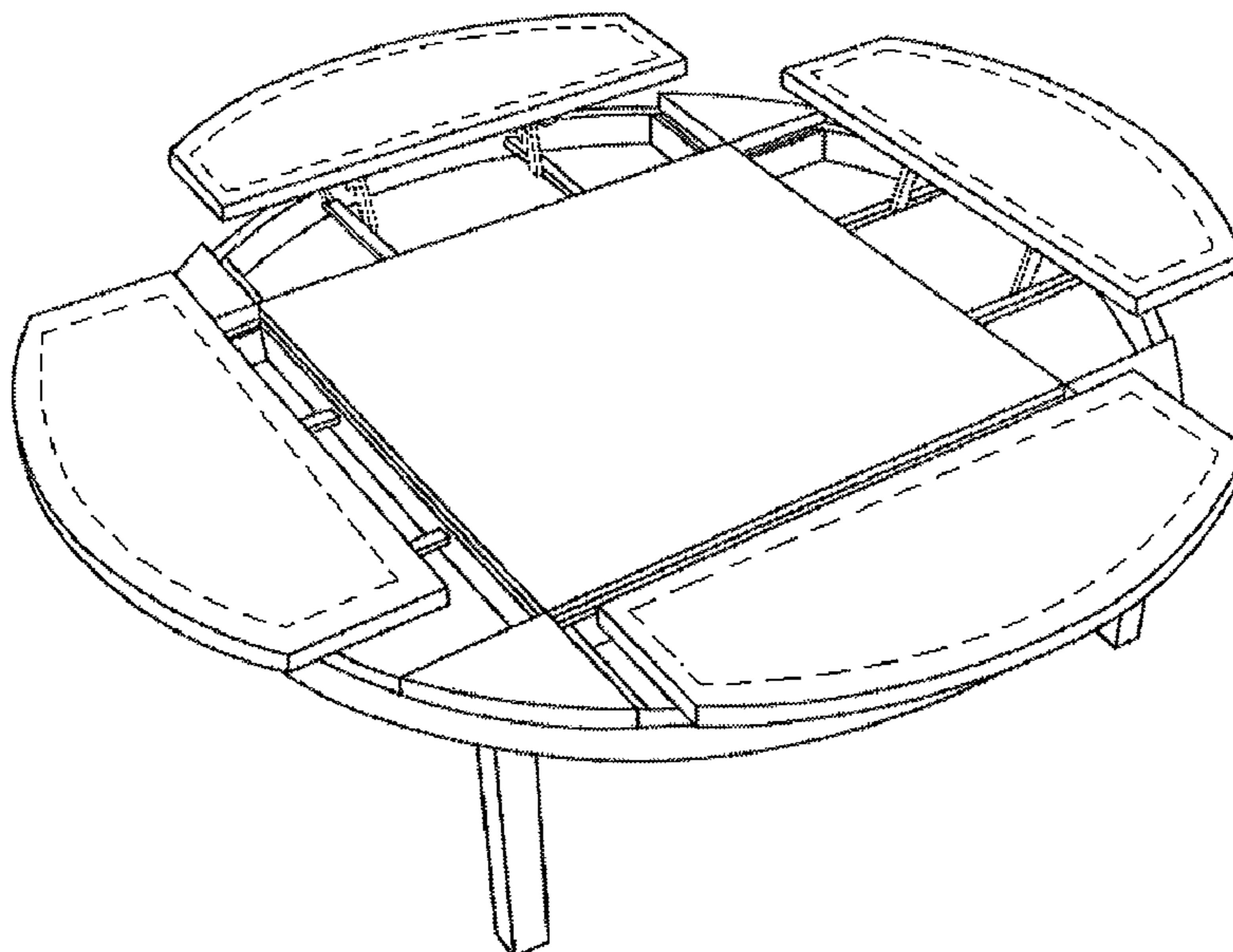
FIG. 6 is a right top perspective view of the new design in the closed position; and,

FIG. 7 is right perspective view of the new design in the open position.

The broken lines are for environmental purposes only and form no part of the claimed design.

The bottom of the table not shown forms no part of the claimed design.

1 Claim, 3 Drawing Sheets



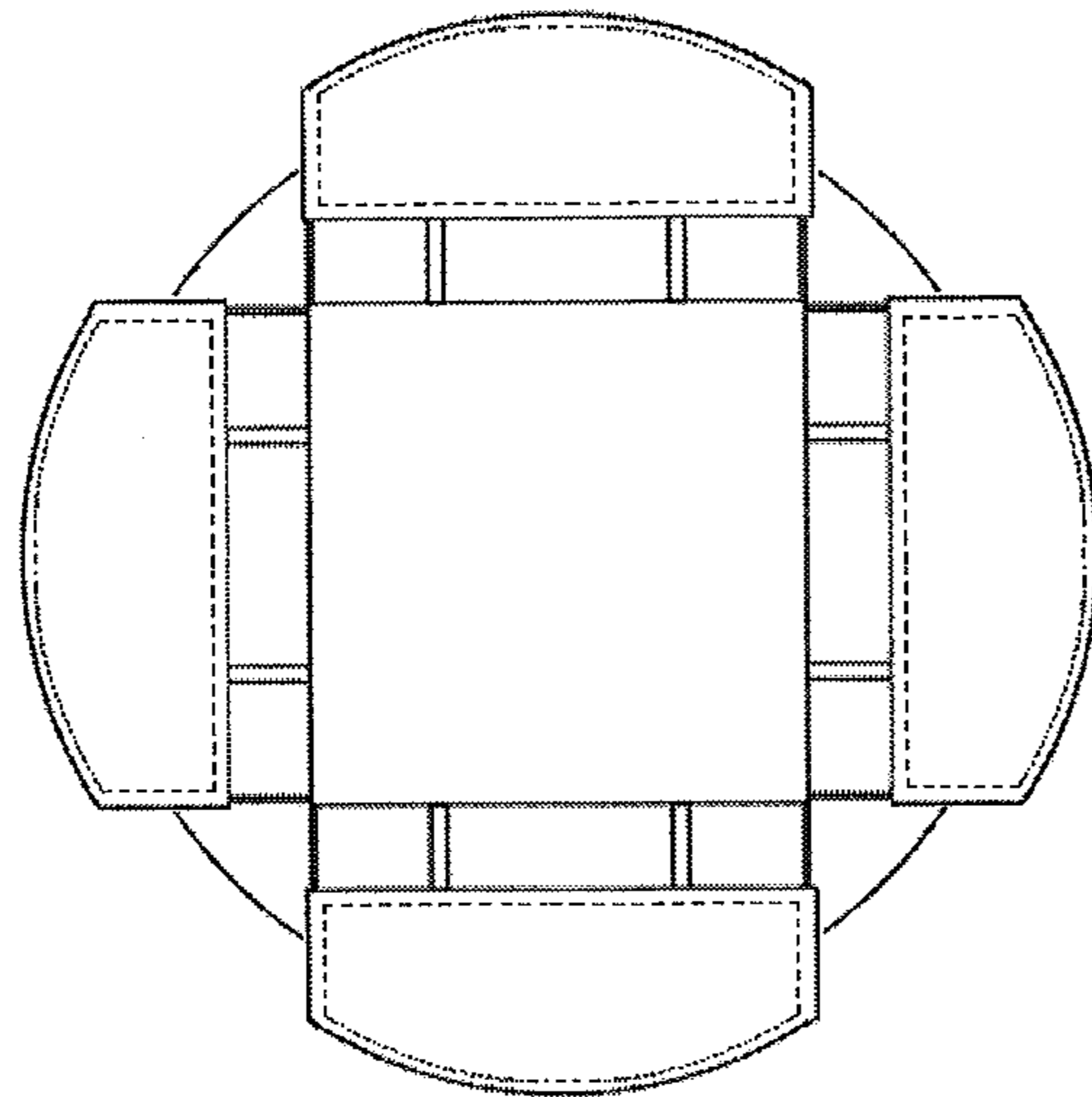


FIG. 1

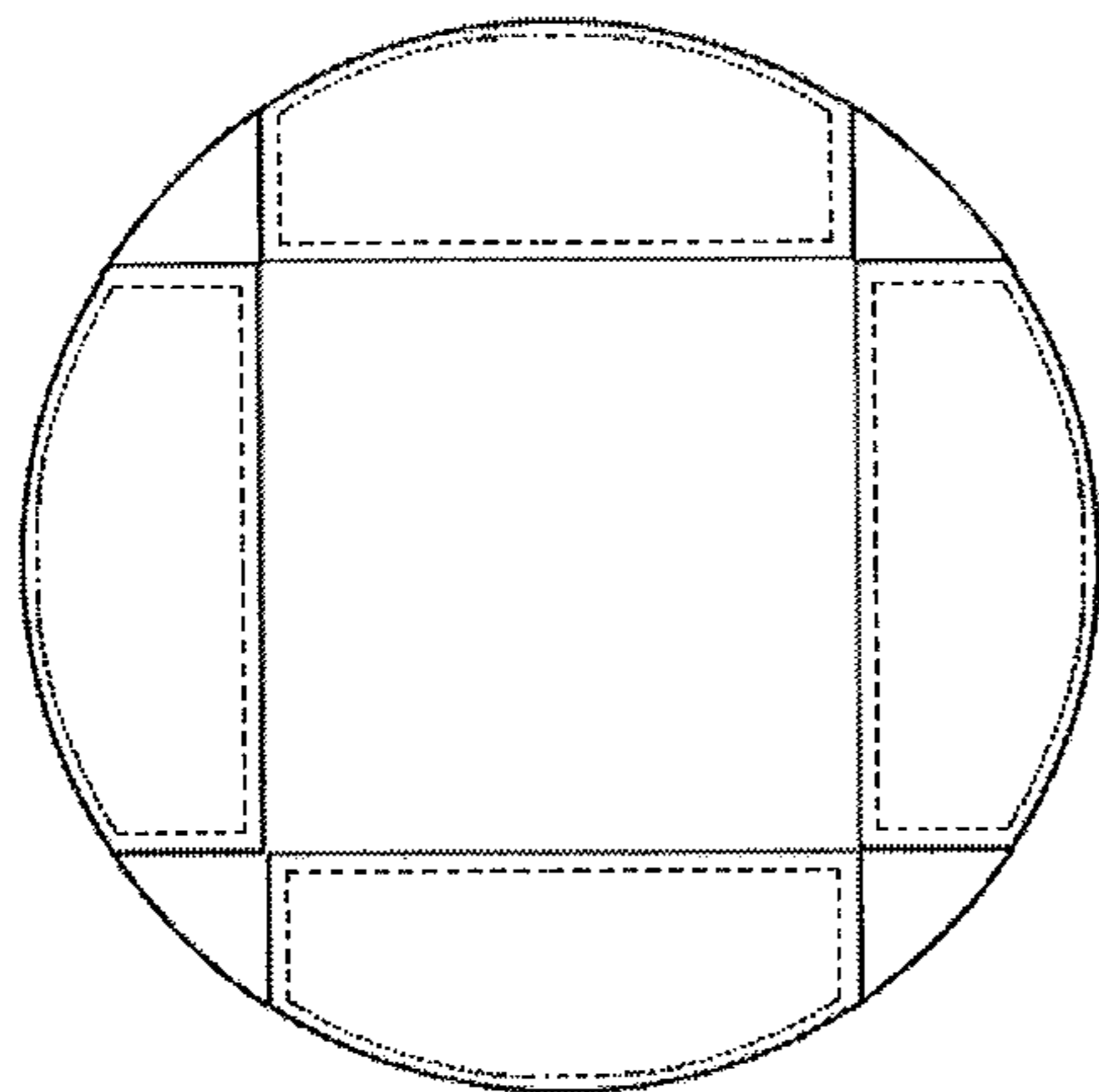


FIG. 2

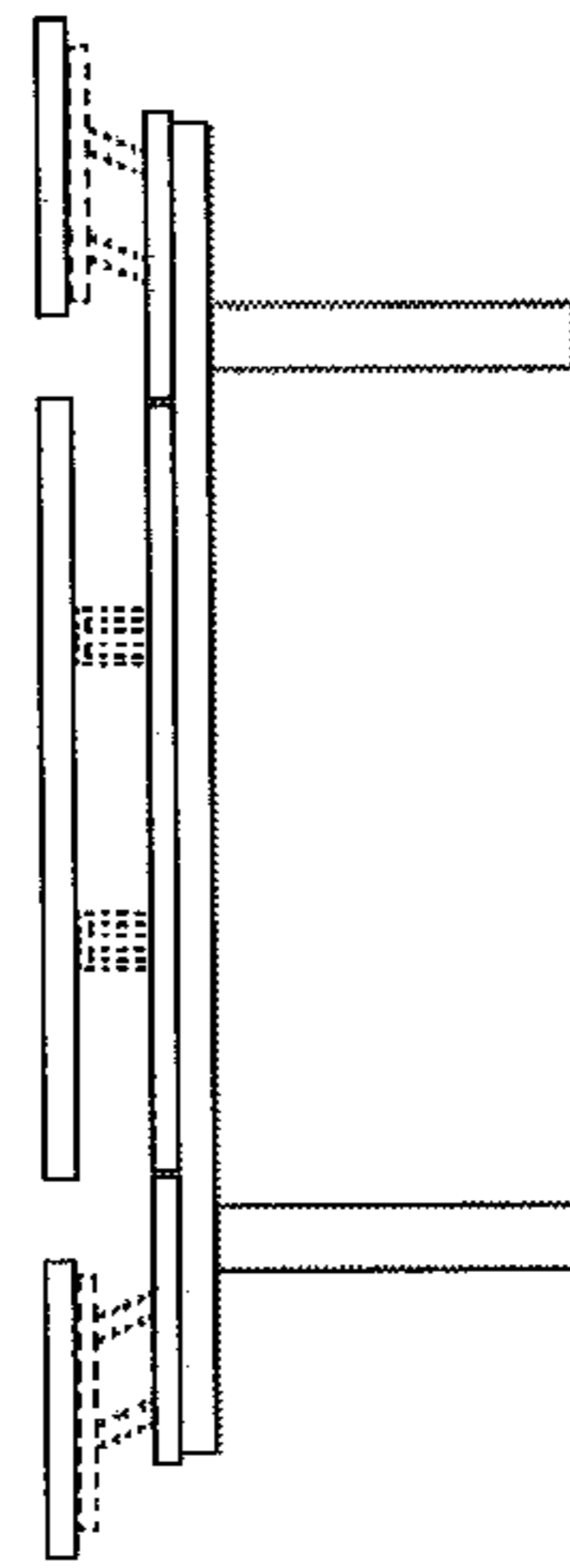


FIG. 3

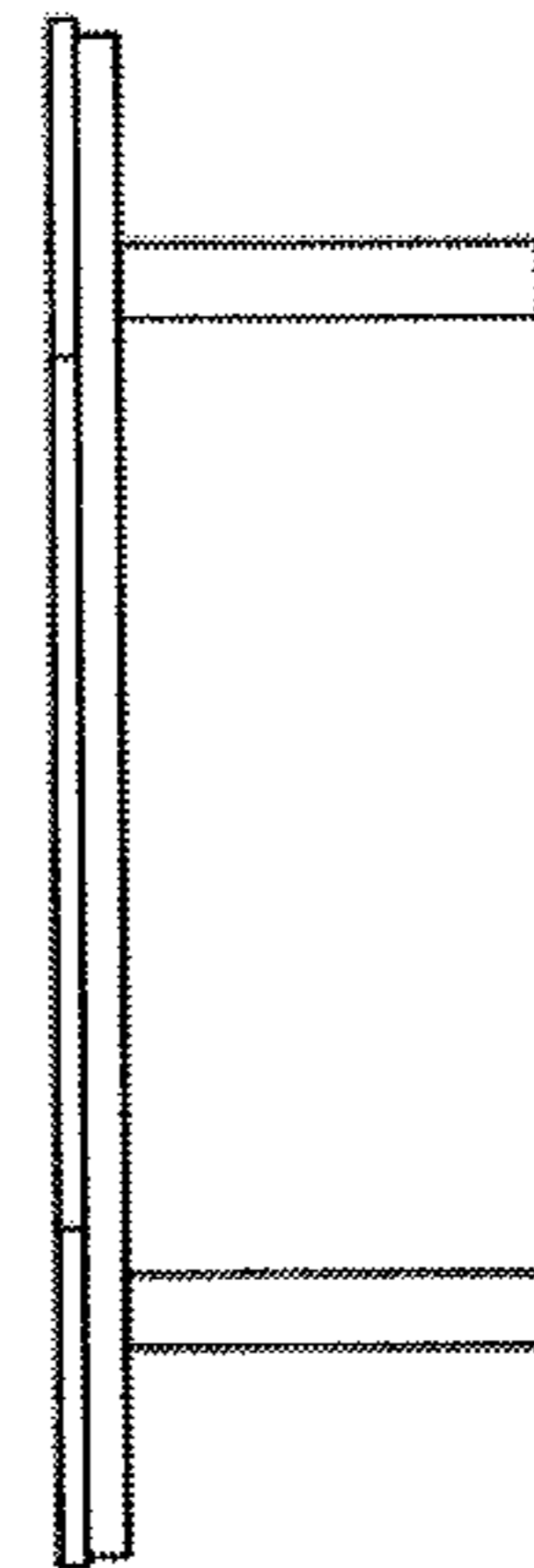


FIG. 4



FIG. 5

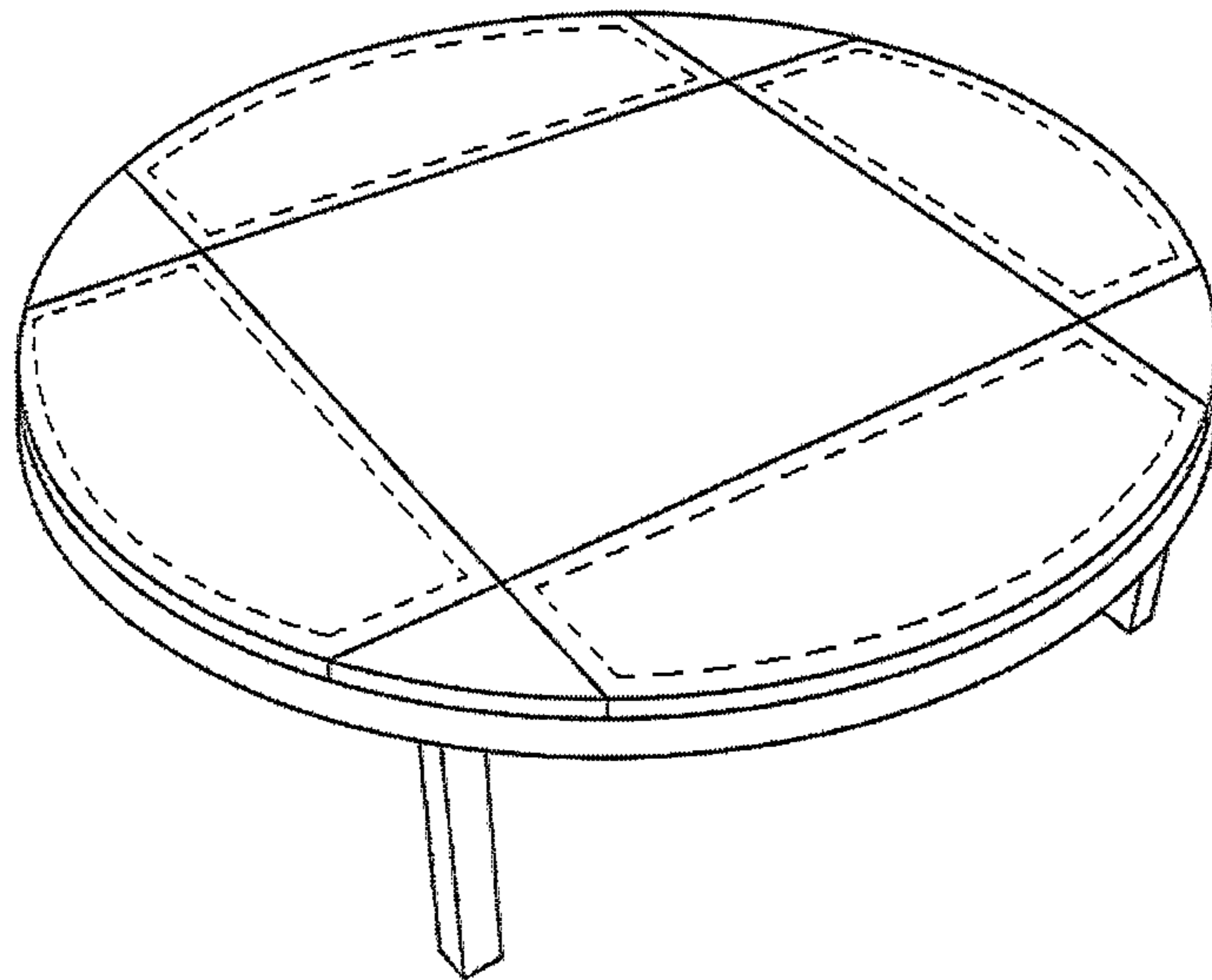


FIG. 6

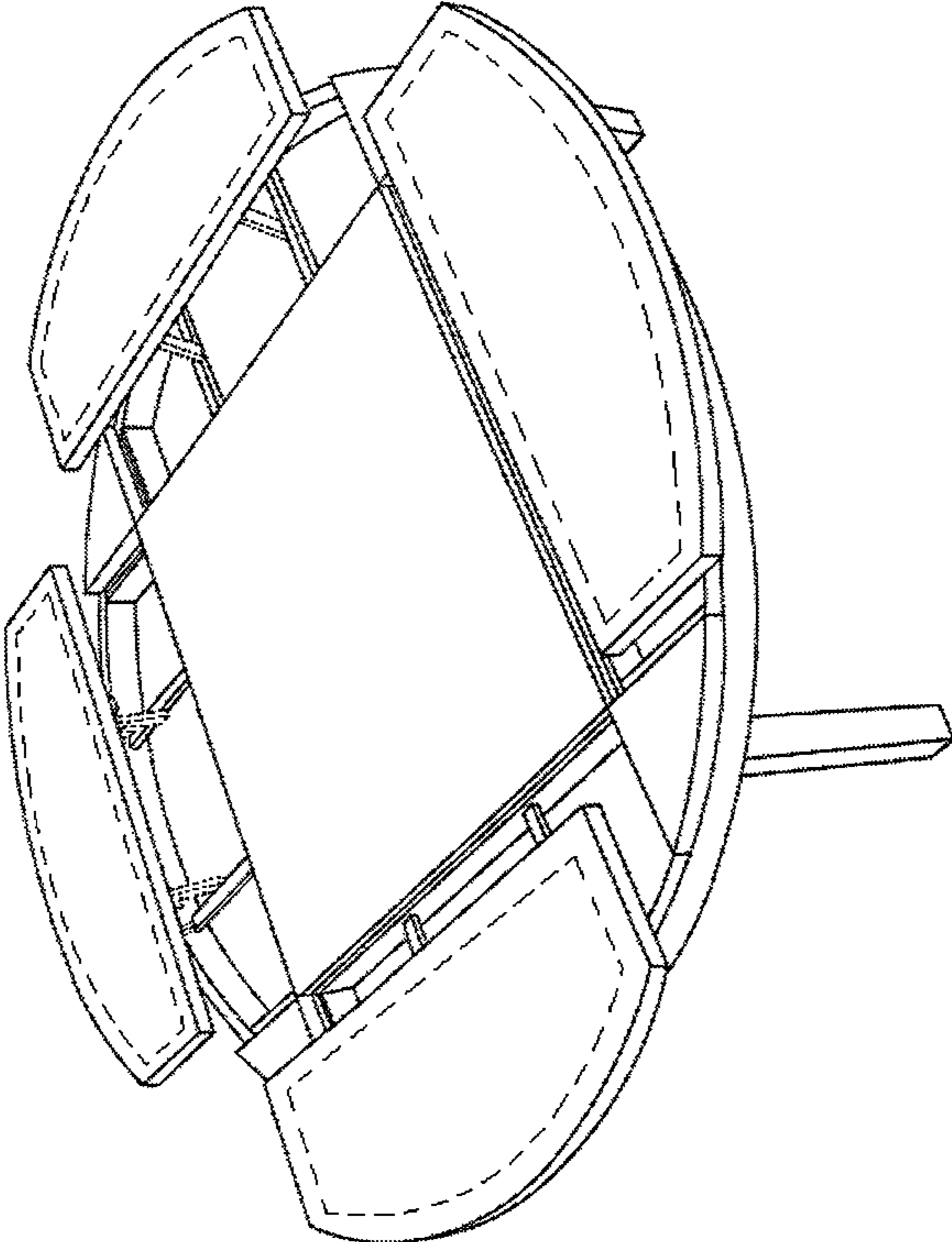


FIG. 7