



US00D689307S

(12) **United States Design Patent**
Burt et al.

(10) **Patent No.:** **US D689,307 S**
(45) **Date of Patent:** **** Sep. 10, 2013**

(54) **CONVERTIBLE TABLE**

(76) Inventors: **Andrew Burt**, Burlington (CA); **Joseph Paonessa**, Toronto (CA)

(**) Term: **14 Years**

(21) Appl. No.: **29/373,862**

(22) Filed: **Jun. 1, 2011**

(51) **LOC (9) Cl.** **06-03**

(52) **U.S. Cl.**
USPC **D6/686**; D6/691.1

(58) **Field of Classification Search**
USPC D6/480-489, 429-431, 495-499;
108/150, 153.1, 155, 156, 161, 65, 66, 69,
108/59, 76, 77, 71, 93, 105; 248/188, 188.1,
248/188.7, 188.8

See application file for complete search history.

(56) **References Cited**

U.S. PATENT DOCUMENTS

1,473,323	A *	11/1923	Schimmel	108/69
D188,900	S *	9/1960	Knoll	D6/484
D348,993	S *	7/1994	Cybala	D6/429
6,003,450	A *	12/1999	Bruckner et al.	108/76
D546,589	S *	7/2007	Kreiss	D6/484
D584,532	S *	1/2009	Mohundro	D6/430
D652,654	S *	1/2012	Lin	D6/484

* cited by examiner

Primary Examiner — Janice Seeger

(74) *Attorney, Agent, or Firm* — Lewis Anten, Esq.

(57) **CLAIM**

The ornamental design for a convertible table, as shown.

DESCRIPTION

FIG. 1 is a top view of the present invention in a closed position.

FIG. 2 is a top view of the present invention in an opened position.

FIG. 3 is a front view of the present invention in a closed position. The rear view is the same.

FIG. 4 is a front view of the present invention in an opened position. The rear view is the same.

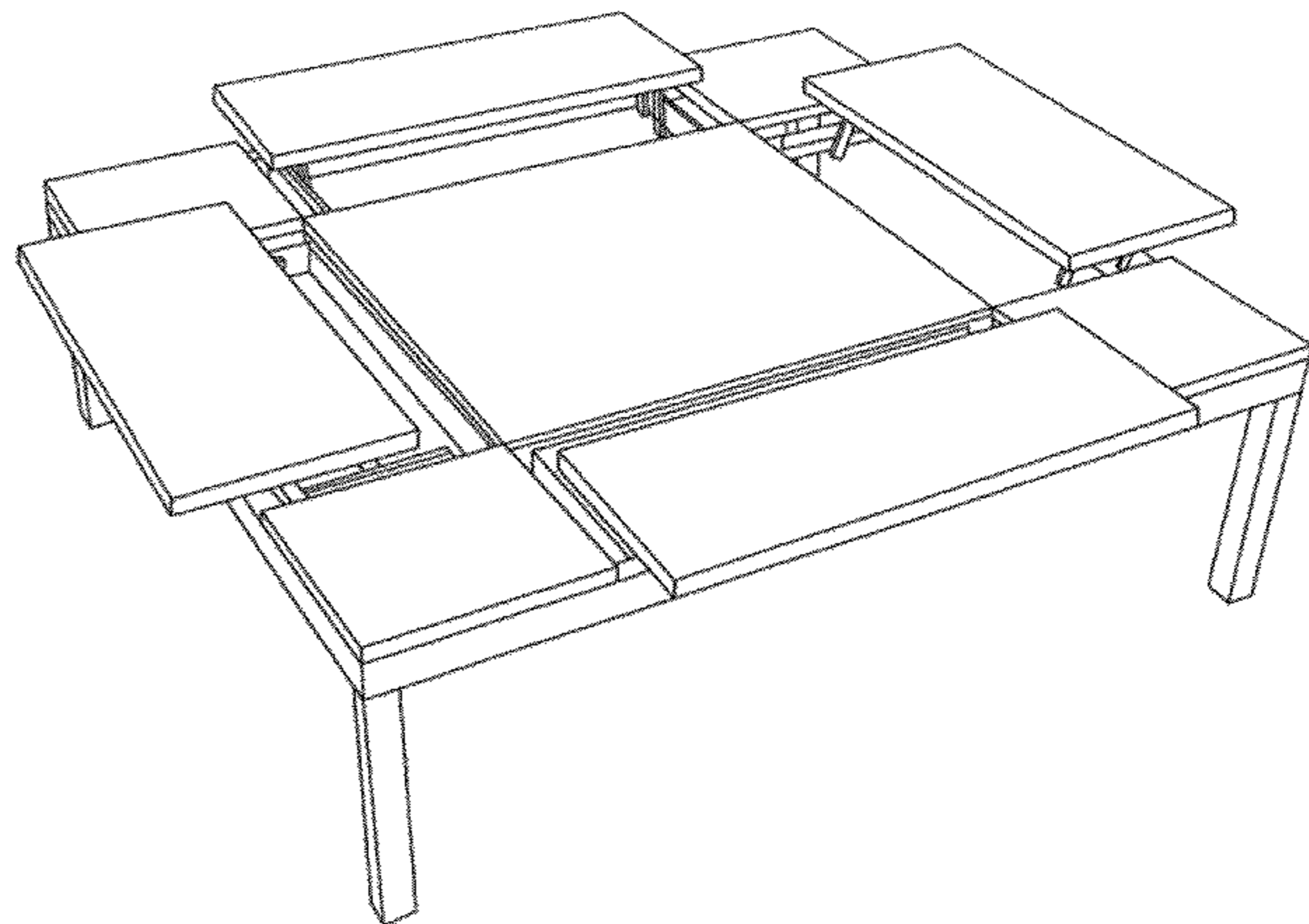
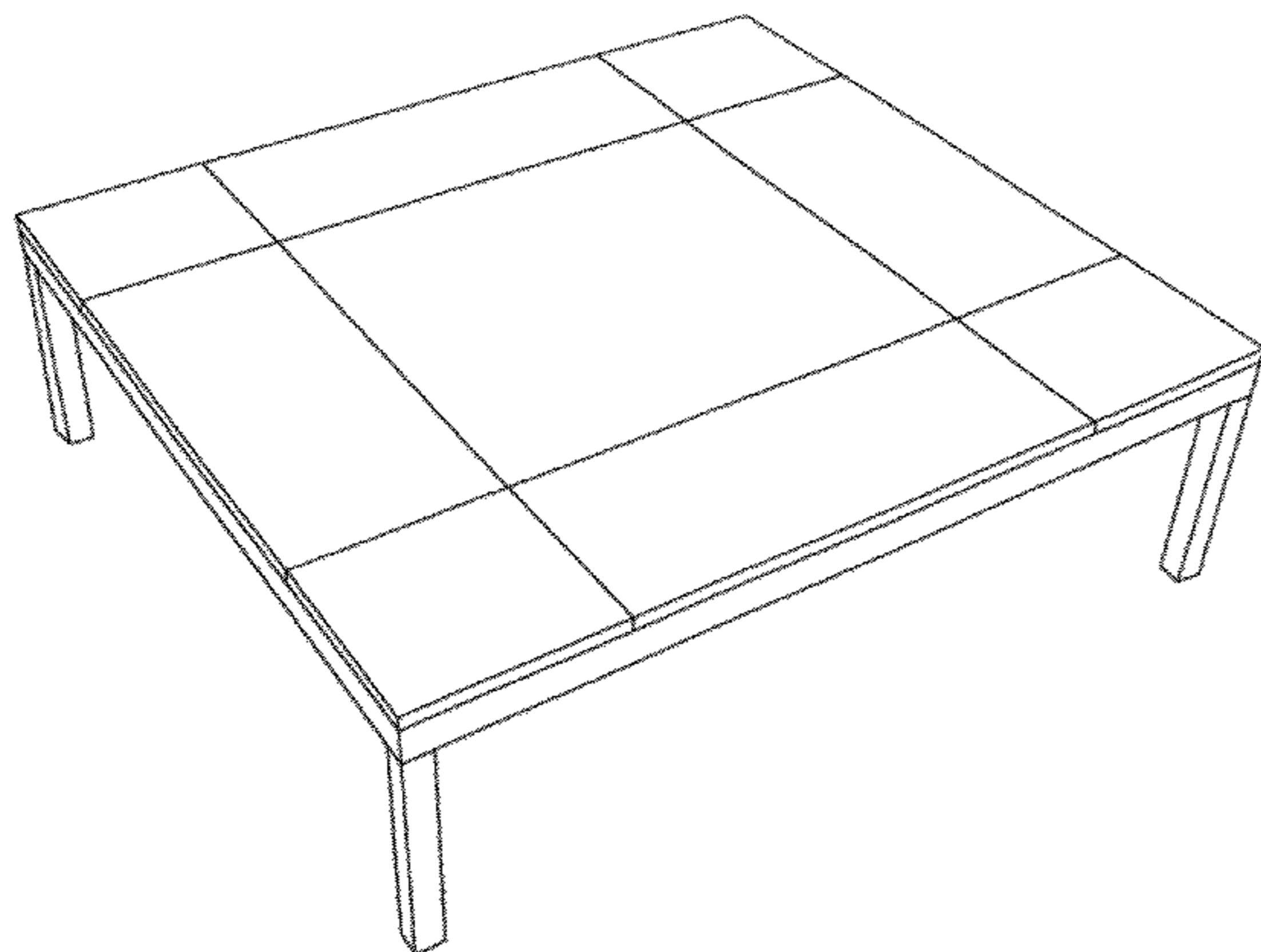
FIG. 5 is a right side view of the present invention in a closed position. The left side view is the same.

FIG. 6 is a right top perspective view of the present invention in an closed position; and,

FIG. 7 is a right top perspective view of the present invention in an opened position.

The broken lines are for environmental purposes only and form no part of the claimed design. The bottom of the table not shown forms no part of the claimed design.

1 Claim, 4 Drawing Sheets



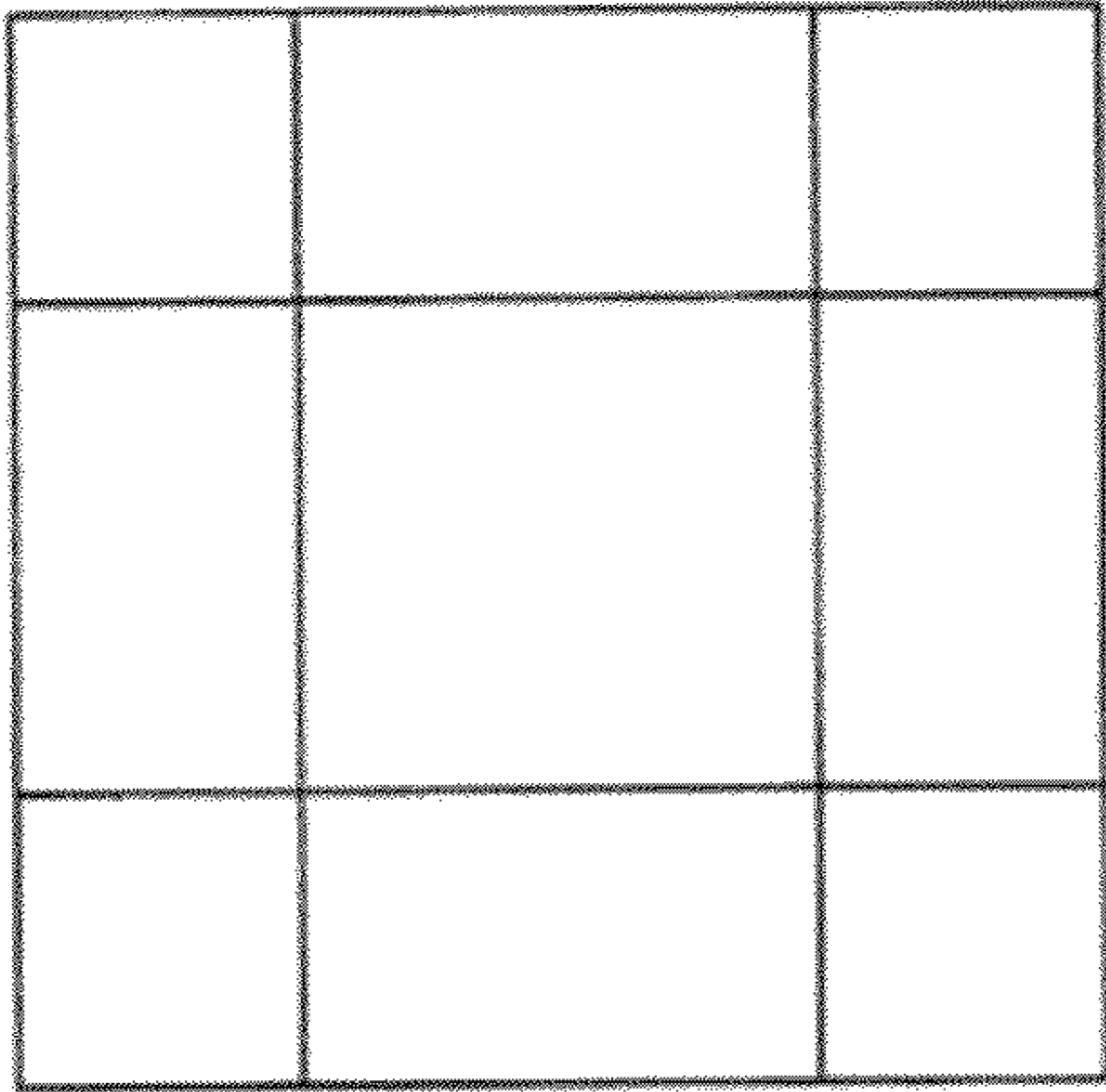


FIG. 1

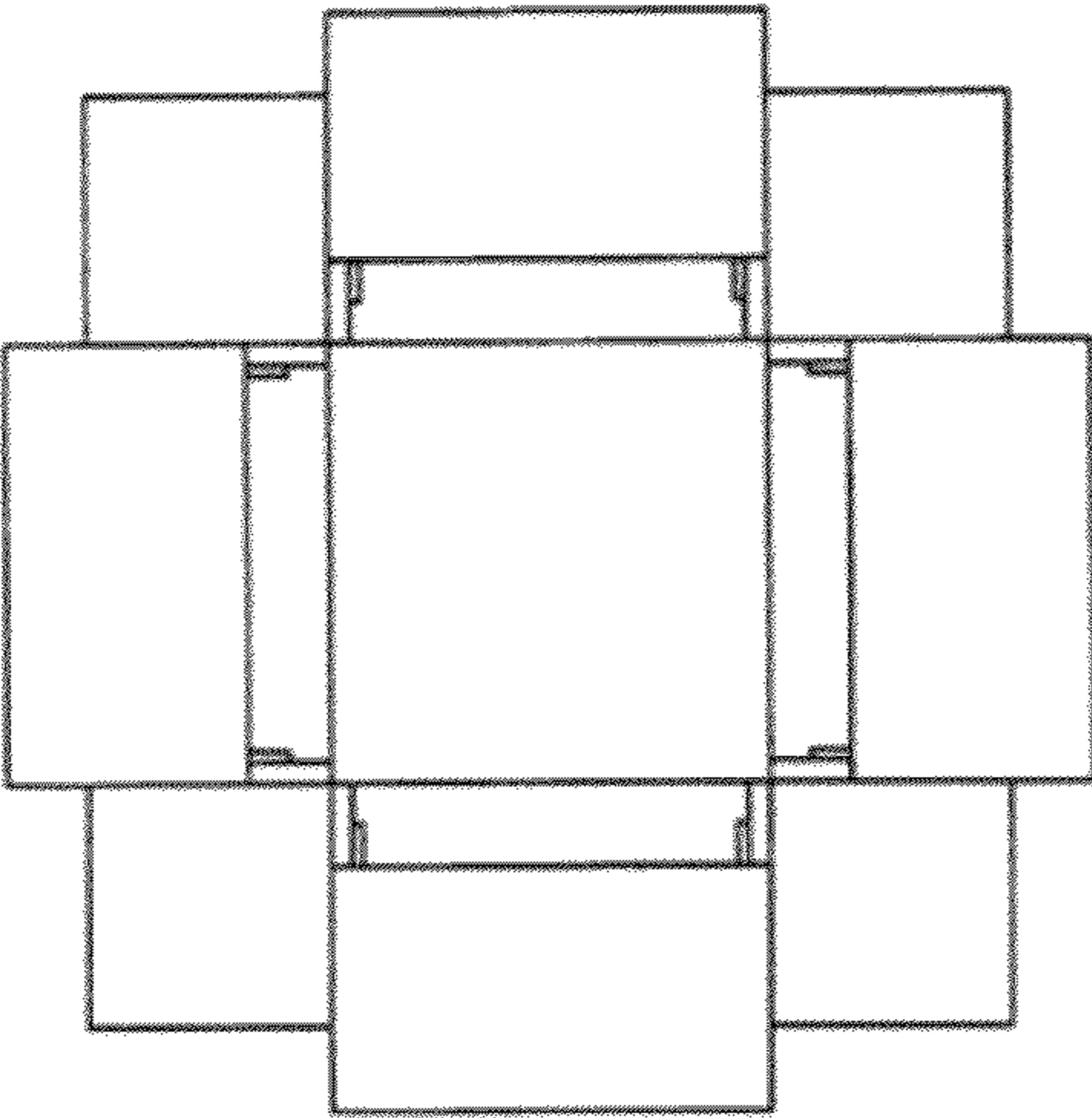


FIG. 2

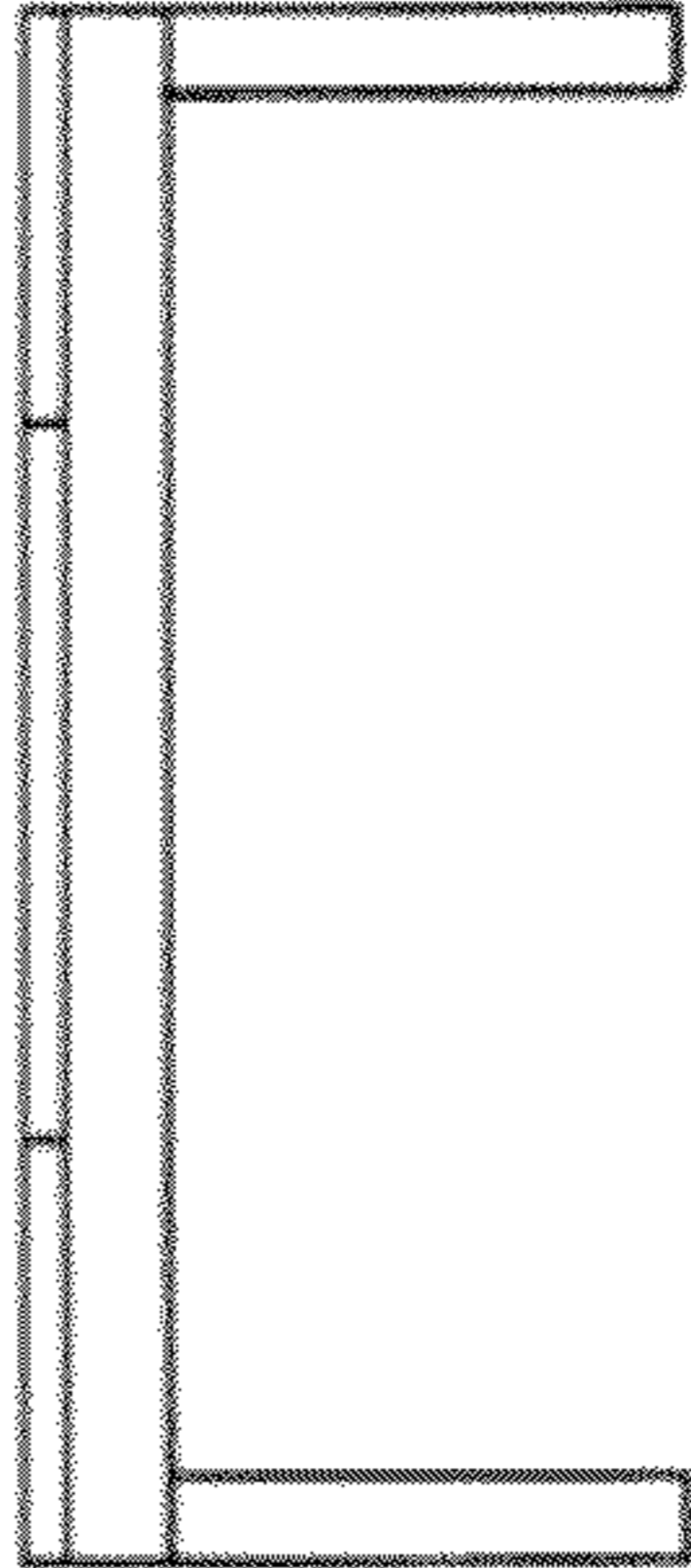


FIG. 3

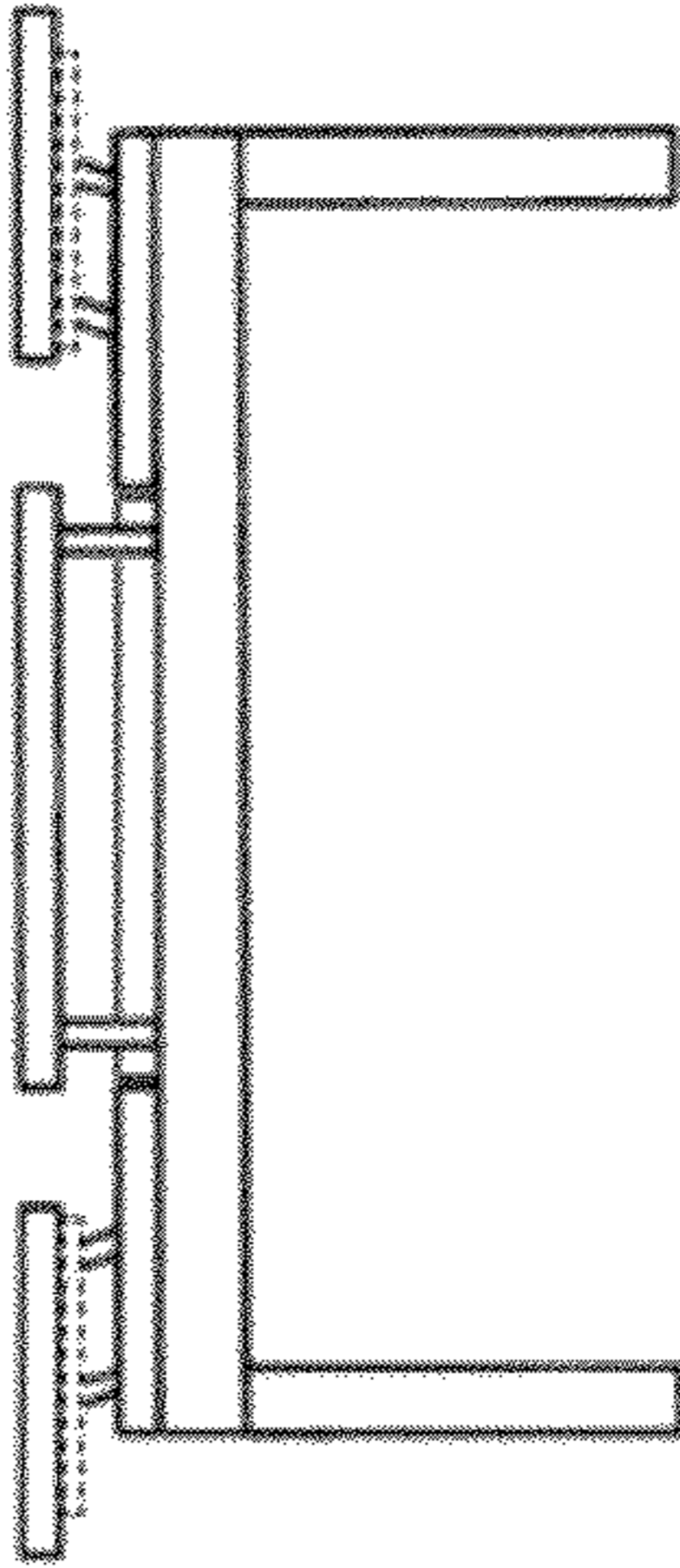


FIG. 4

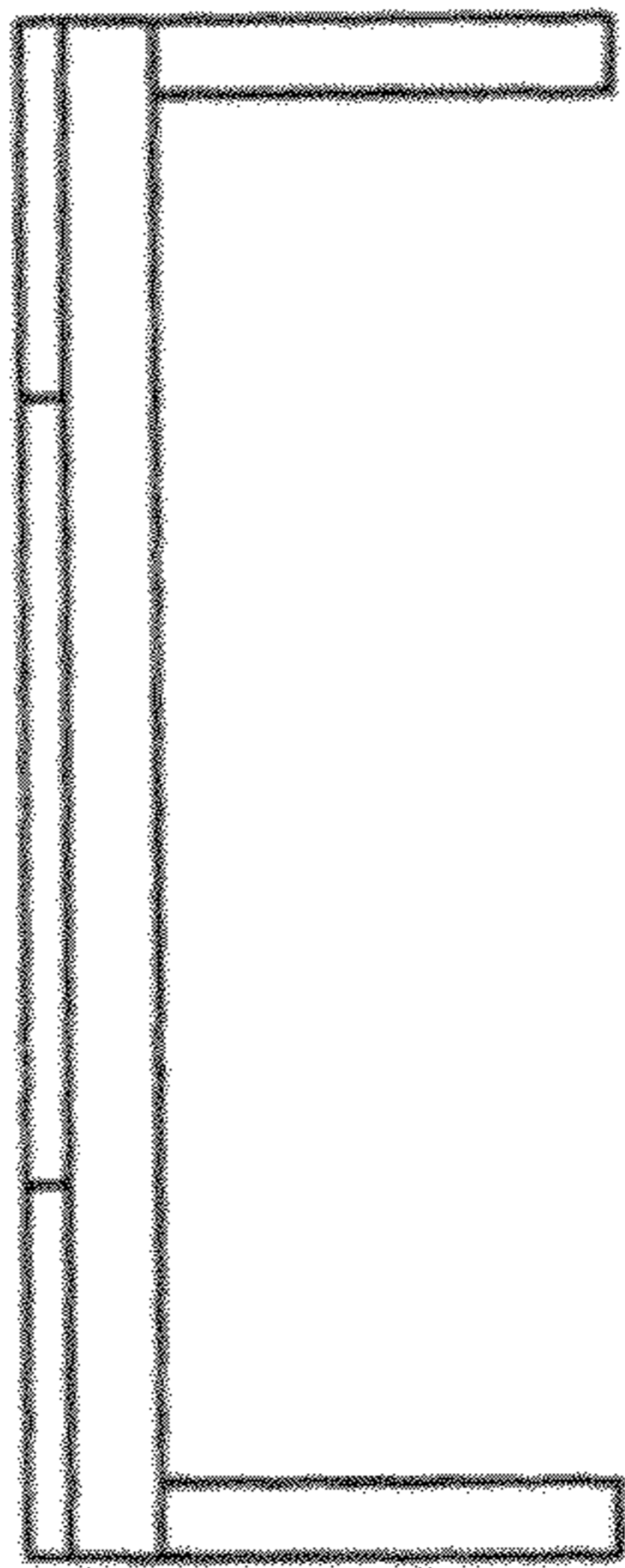


FIG. 5

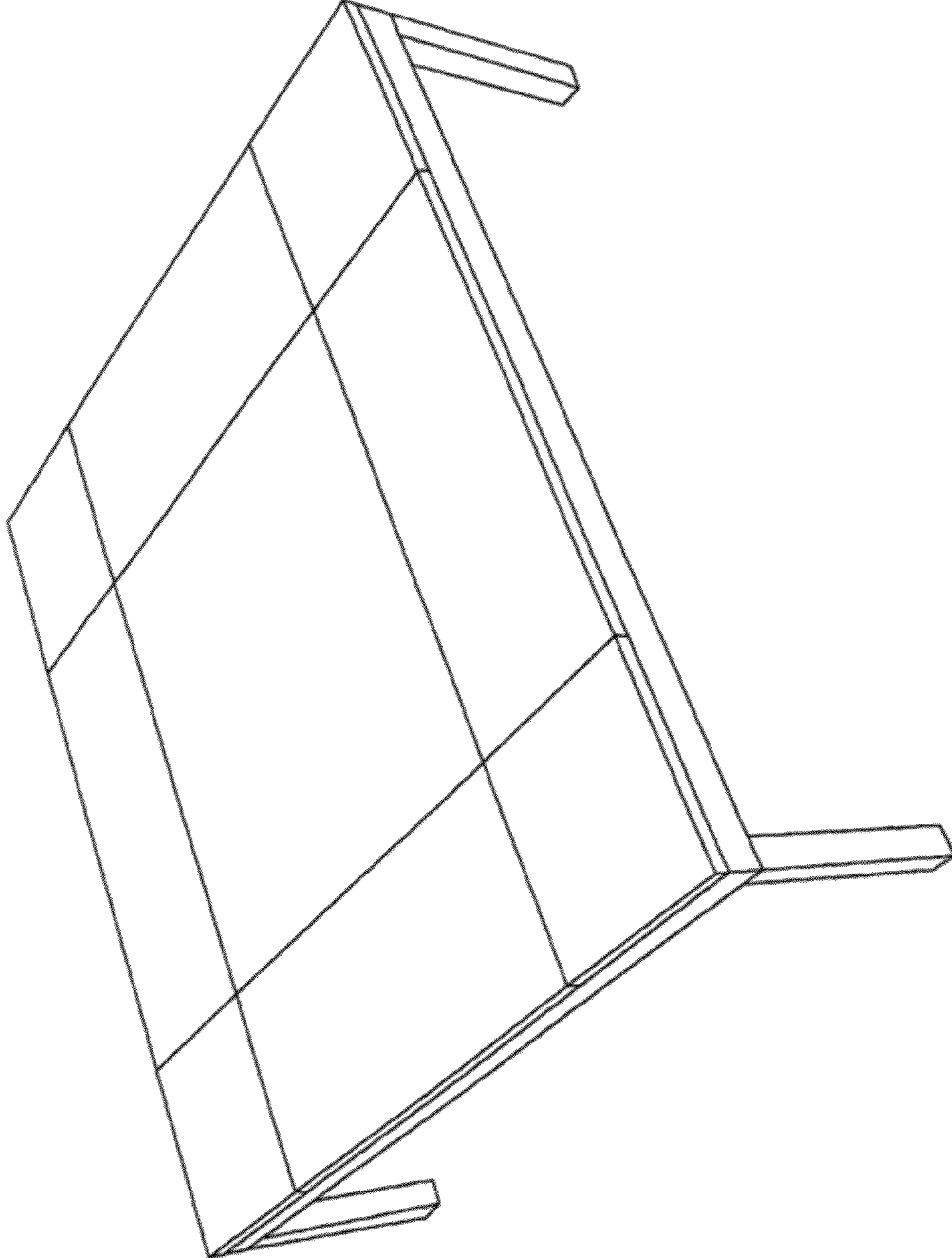


FIG. 6

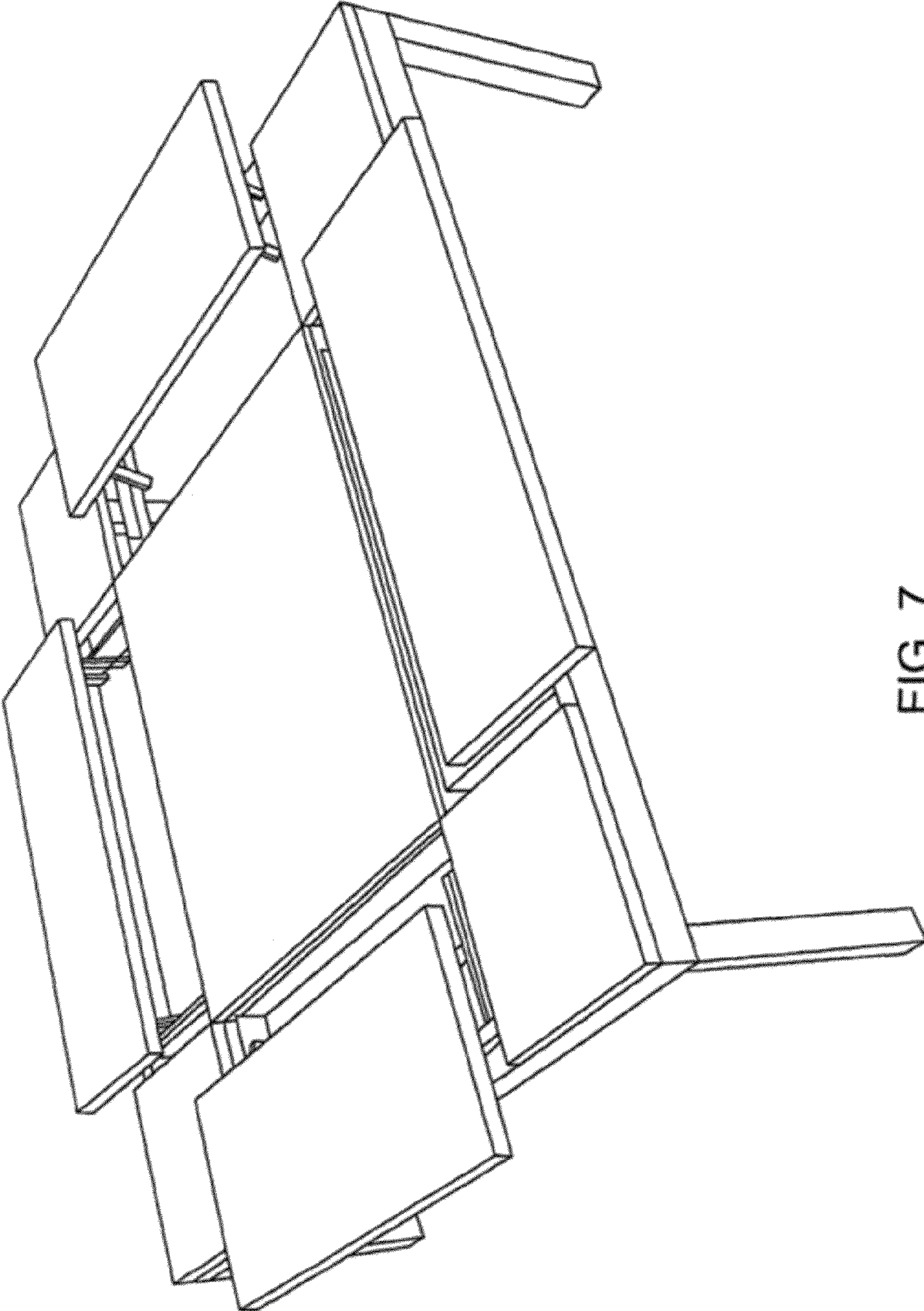


FIG. 7