



US00D689306S

(12) **United States Design Patent**  
**Fishman et al.**

(10) **Patent No.:** **US D689,306 S**

(45) **Date of Patent:** **\*\* Sep. 10, 2013**

(54) **SHELVING UNIT**

(71) Applicants: **Mark C. Fishman**, Cambridge, MA  
(US); **Toshiko Mori**, New York, NY  
(US); **Landon S. Brown**, Brooklyn, NY  
(US)

(72) Inventors: **Mark C. Fishman**, Cambridge, MA  
(US); **Toshiko Mori**, New York, NY  
(US); **Landon S. Brown**, Brooklyn, NY  
(US)

(73) Assignee: **Novartis Institutes for BioMedical  
Research, Inc.**, Cambridge, MA (US)

(\*\*) Term: **14 Years**

(21) Appl. No.: **29/446,566**

(22) Filed: **Feb. 25, 2013**

(51) **LOC (9) Cl.** ..... **06-06**

(52) **U.S. Cl.**  
USPC ..... **D6/675.1**

(58) **Field of Classification Search**  
USPC ..... D6/396-397, 407, 449-450, 455-461,  
D6/466-486, 672-673, 675-675.1; 211/13,  
211/163, 40-42; 312/107, 111  
See application file for complete search history.

(56) **References Cited**

U.S. PATENT DOCUMENTS

D179,999 S \* 4/1957 Wilson ..... D6/479  
2,806,606 A \* 9/1957 Evans ..... 108/27

2,825,101 A \* 3/1958 Rubenstein ..... 403/217  
D247,273 S \* 2/1978 Peters ..... D6/571  
D326,970 S \* 6/1992 Allen ..... D6/473  
D334,977 S \* 4/1993 Avari ..... D23/387  
5,855,175 A \* 1/1999 Forbes ..... 108/180  
D450,518 S \* 11/2001 Frederick ..... D6/630  
D518,979 S \* 4/2006 Petittlerc ..... D6/478  
D552,900 S \* 10/2007 Wilenius ..... D6/509  
D607,667 S \* 1/2010 Cayouette ..... D6/449  
D665,198 S \* 8/2012 Levy et al. .... D6/478  
2002/0178979 A1\* 12/2002 Tidemann ..... 108/186  
2012/0325763 A1\* 12/2012 Loy et al. .... 211/134

\* cited by examiner

*Primary Examiner* — Kelley Donnelly

(74) *Attorney, Agent, or Firm* — Morrison & Foerster LLP

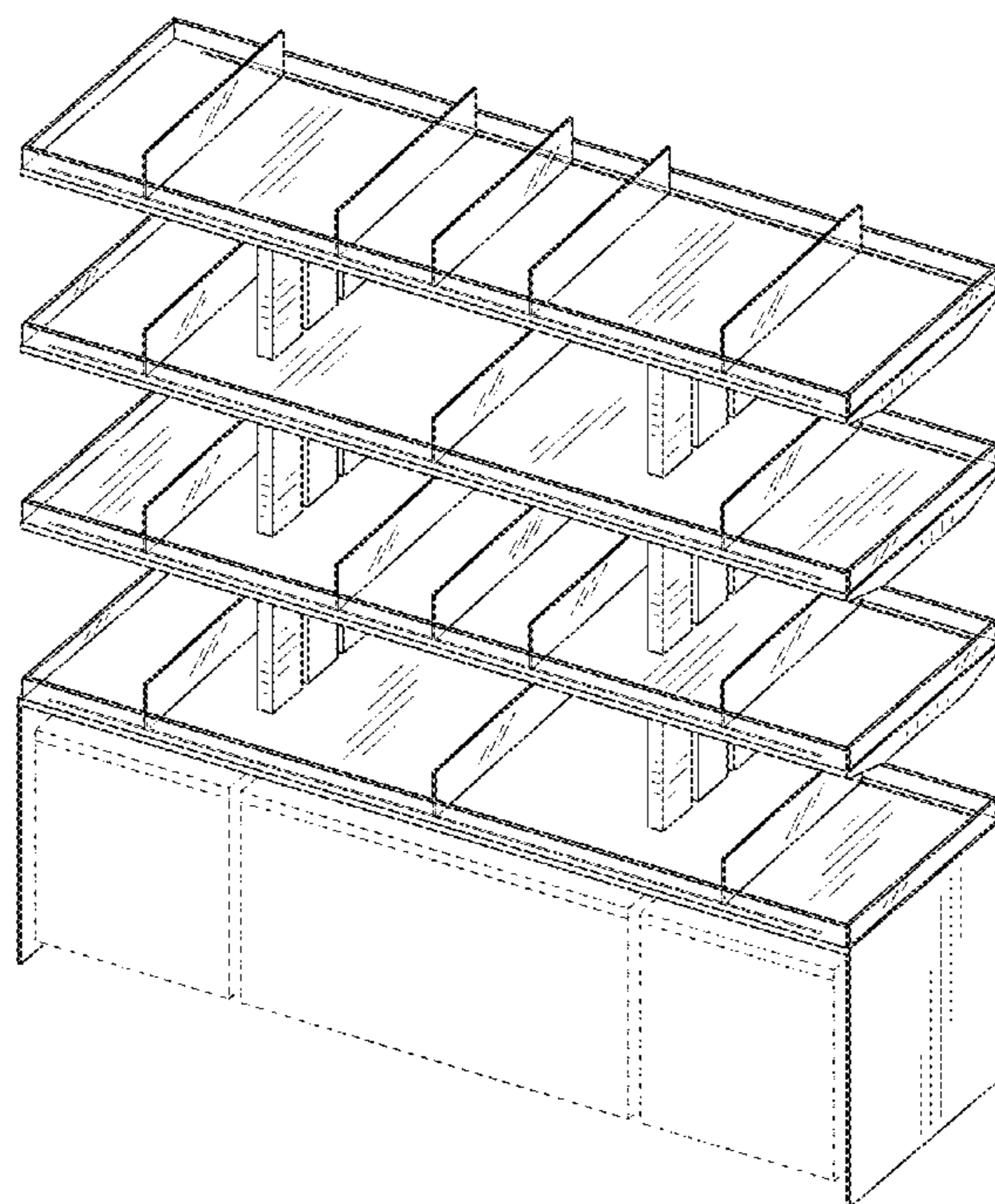
(57) **CLAIM**

The ornamental design for a shelving unit, as shown and described.

**DESCRIPTION**

FIG. 1 is a top perspective view of a shelving unit;  
FIG. 2 is a front view of the shelving unit.  
FIG. 3 is a back view of the shelving unit.  
FIG. 4 is a first side view of the shelving unit.  
FIG. 5 is a second side view, opposite of the first side view, of the shelving unit.  
FIG. 6 is a top view of the shelving unit.  
FIG. 7 is a bottom view of the shelving unit; and,  
FIG. 8 is a bottom perspective view of the shelving unit.  
The dotted line illustrations of under-shelf storage modules on casters are for illustrative purposes of the environment of the shelving unit and form no part of the claimed design.

**1 Claim, 4 Drawing Sheets**



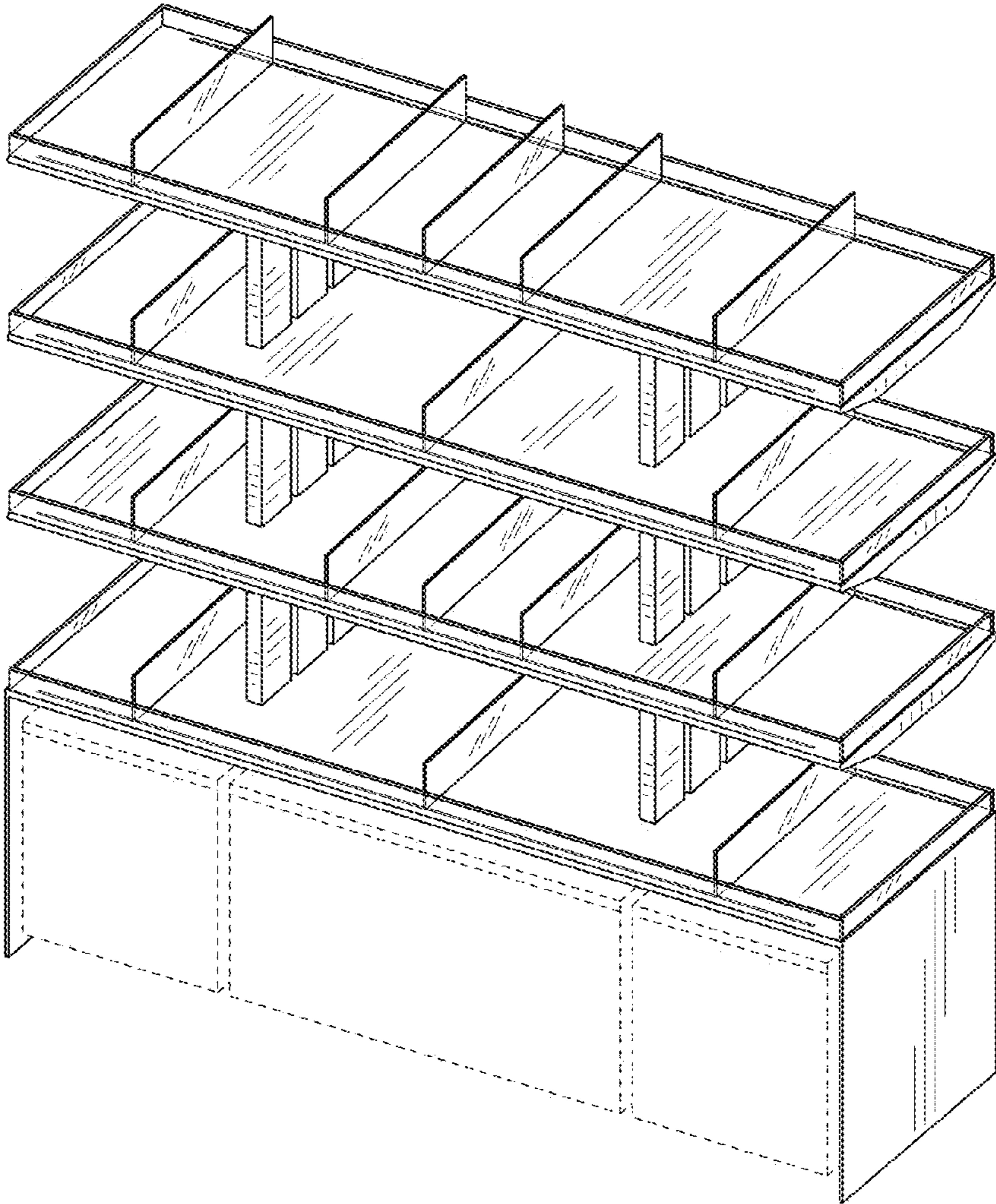


FIG. 1

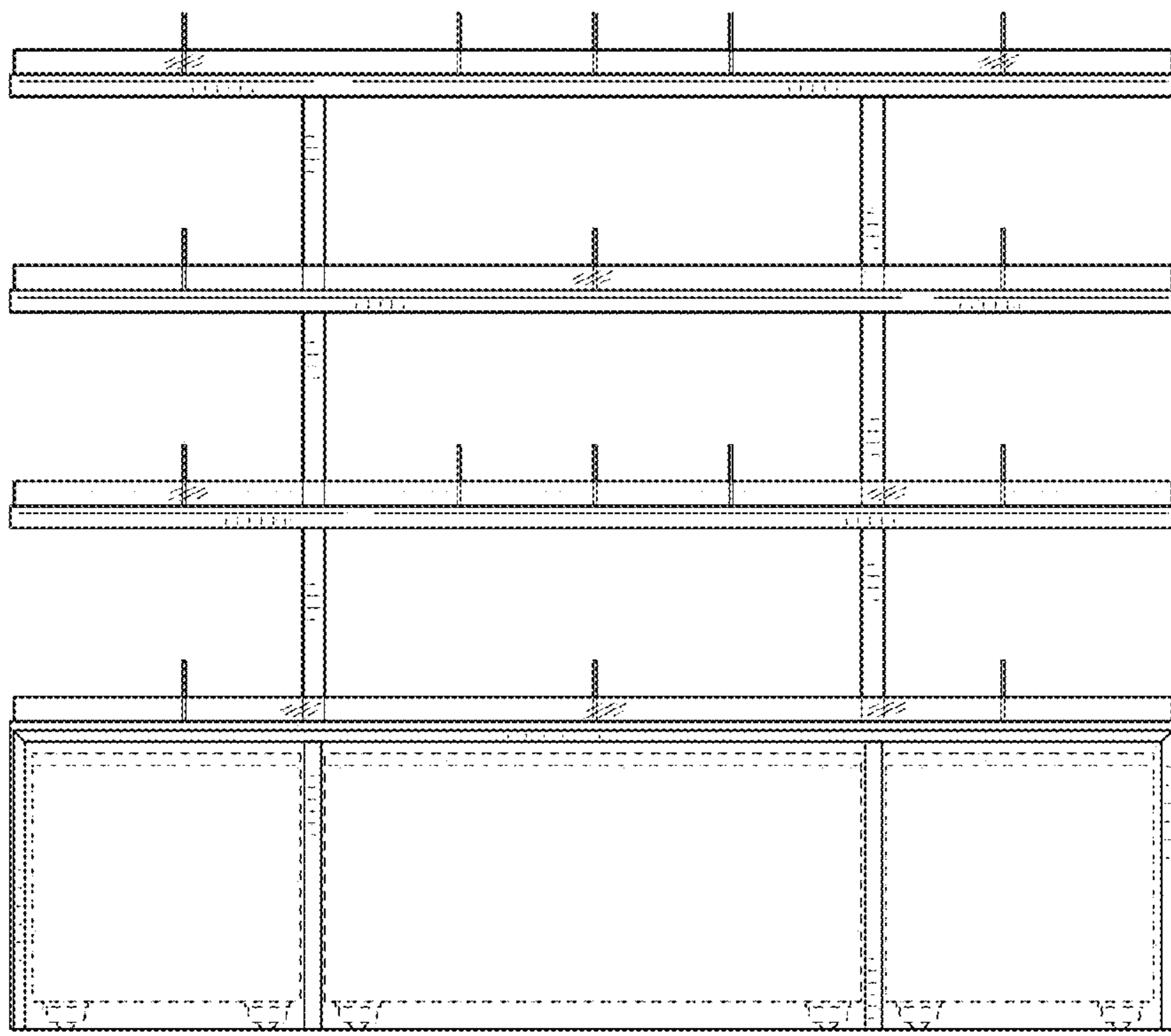


FIG. 2

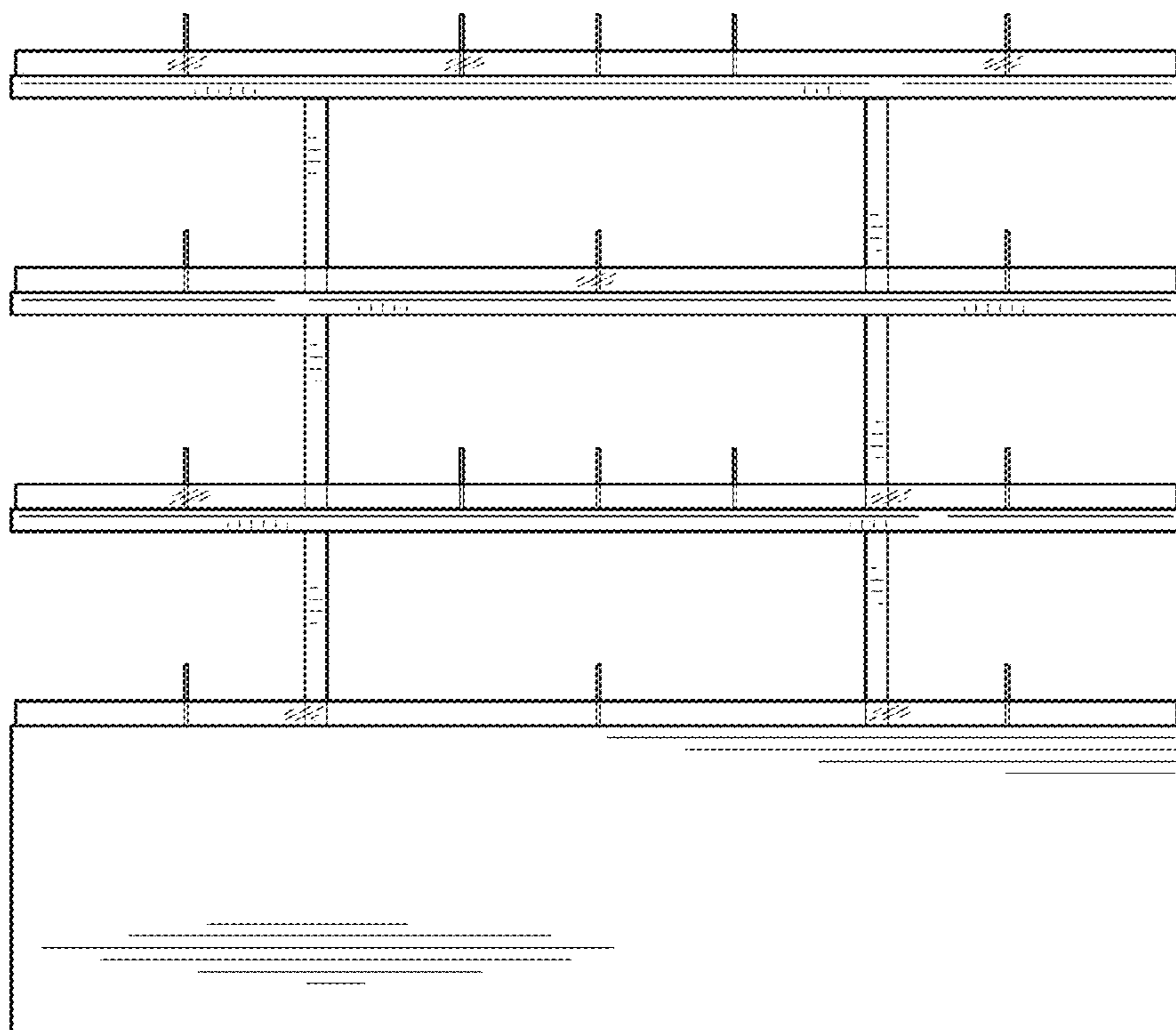


FIG. 3



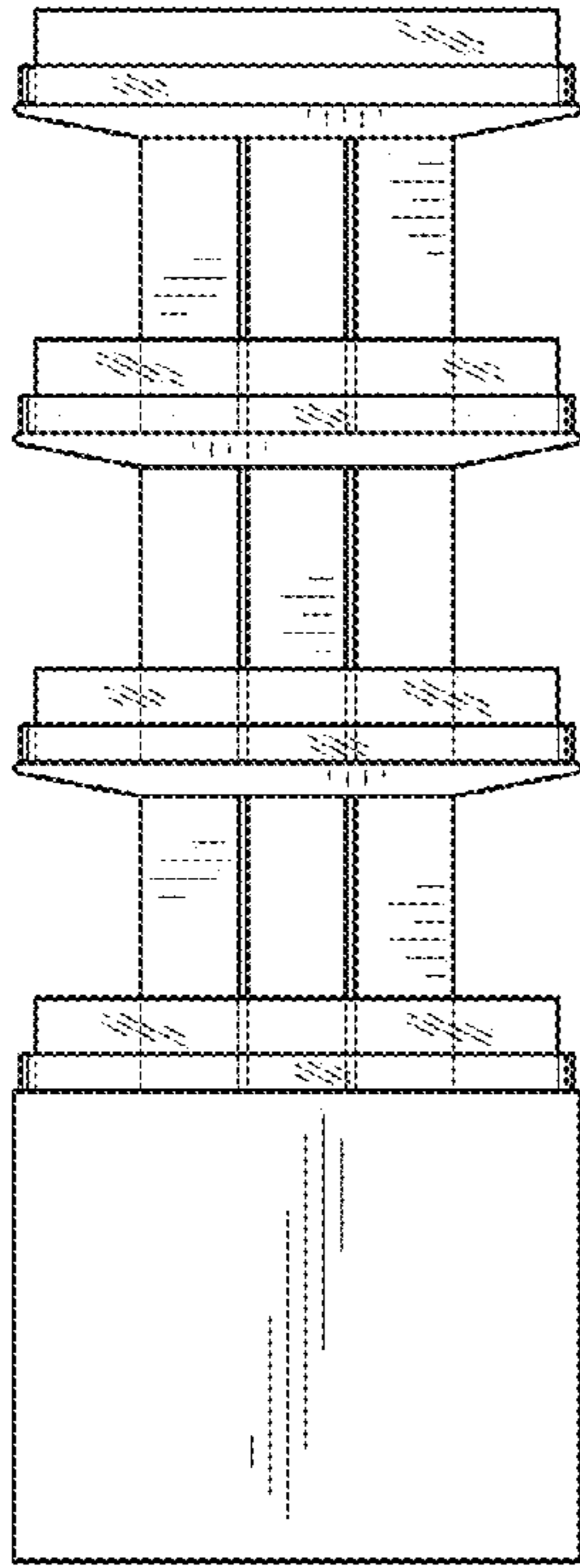


FIG. 4

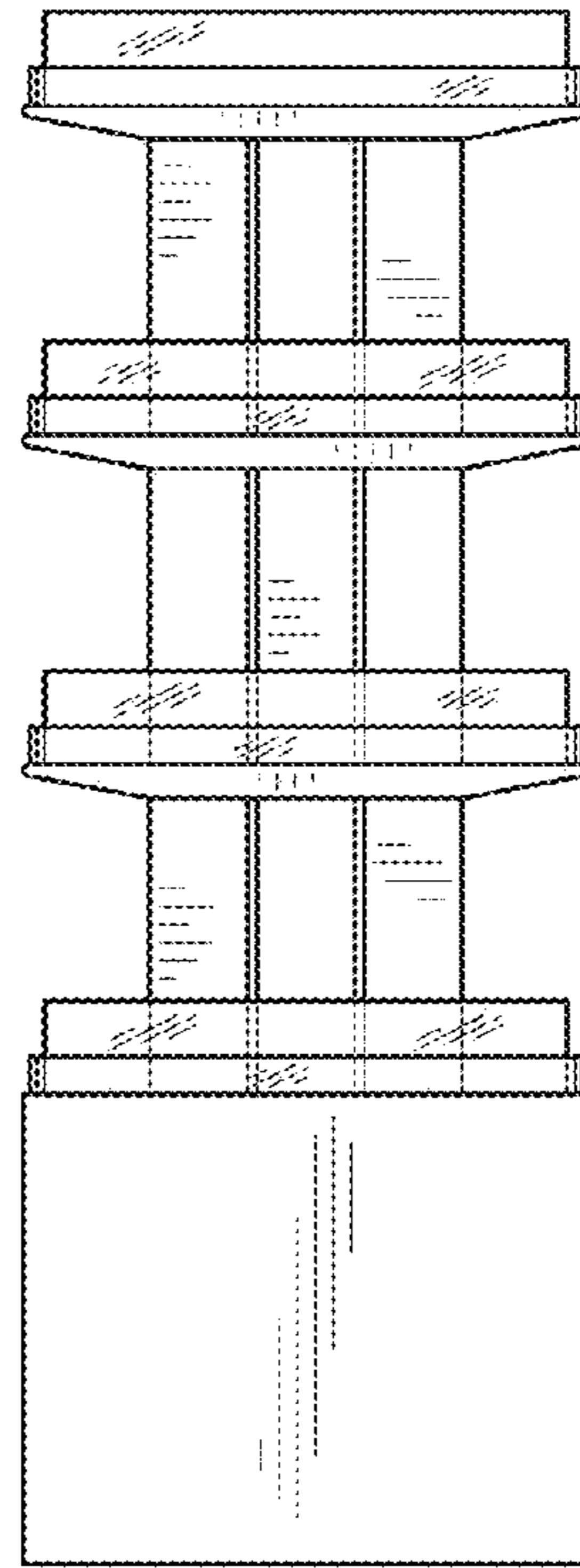


FIG. 5

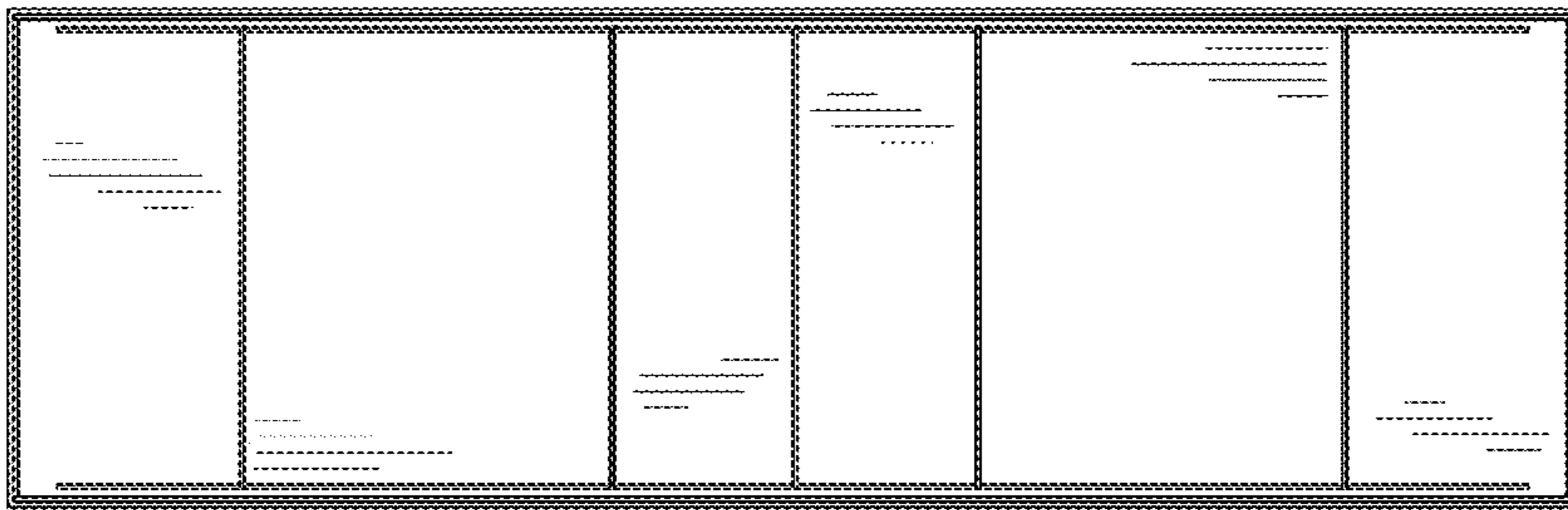


FIG. 6

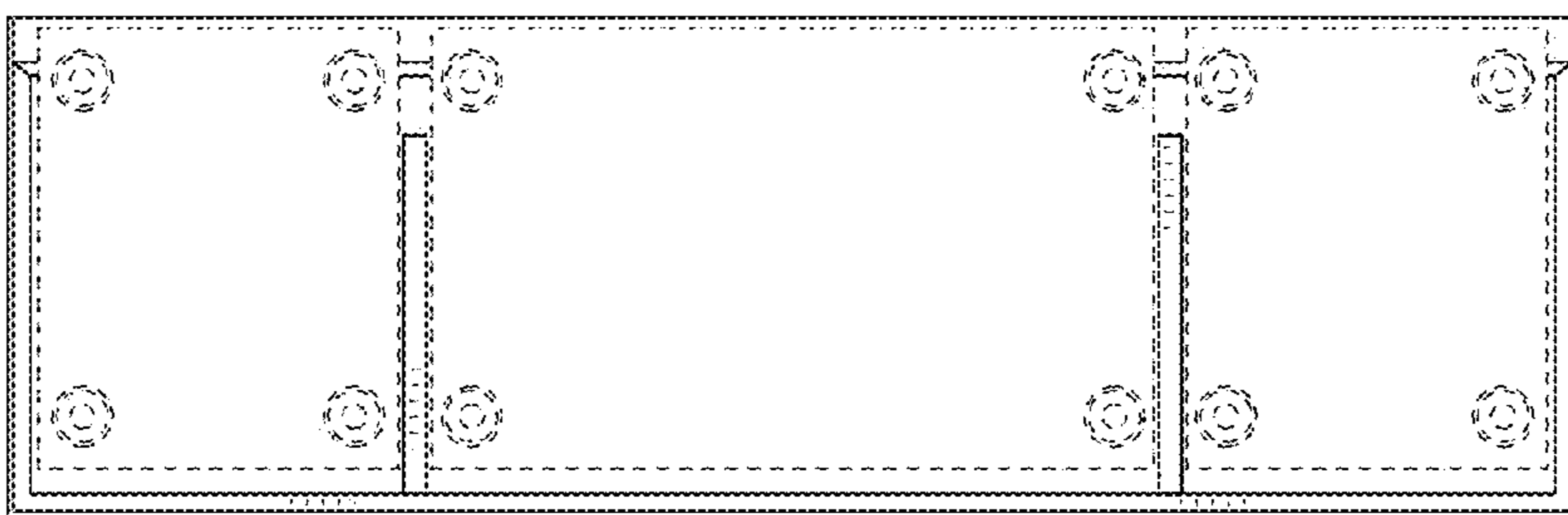


FIG. 7

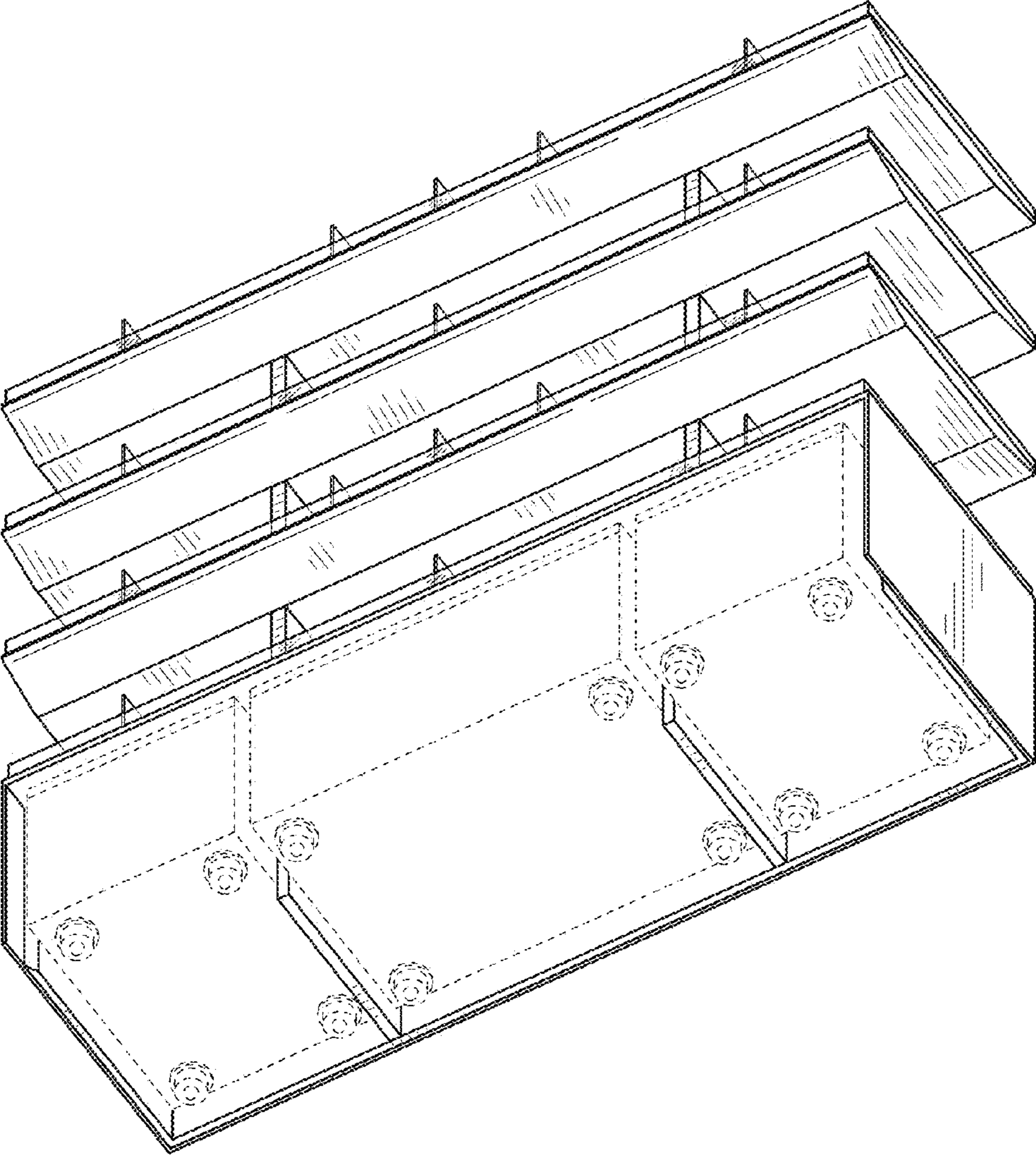


FIG. 8