



US00D689305S

(12) **United States Design Patent**
Mari

(10) **Patent No.:** **US D689,305 S**

(45) **Date of Patent:** **** Sep. 10, 2013**

(54) **DESK**

(75) **Inventor:** **Enzo Mari, Milan (IT)**

(73) **Assignee:** **Hermes Sellier (Societe par Actions Simplifree), Paris (FR)**

(**) **Term:** **14 Years**

(21) **Appl. No.:** **29/409,146**

(22) **Filed:** **Dec. 20, 2011**

(30) **Foreign Application Priority Data**

Jun. 21, 2011 (EM) 001880899

(51) **LOC (9) Cl.** **06-03**

(52) **U.S. Cl.**
USPC **D6/656; D6/695**

(58) **Field of Classification Search**
USPC D6/480-489, 495, 496, 499, 511,
D6/668.2, 707.19, 707.22, 708.16, 708.17,
D6/708.2, 708.23; 108/150, 153.1, 155,
108/157, 161, 25, 50.12; 248/188, 188.1,
248/188.7, 188.8

See application file for complete search history.

(56) **References Cited**

U.S. PATENT DOCUMENTS

467,081	A	*	1/1892	Church	108/144.11
D137,684	S	*	4/1944	Kramer	D6/480
3,078,957	A	*	2/1963	Larson	182/226
3,463,099	A	*	8/1969	Doucette	108/167
D506,091	S	*	6/2005	Cioncada	D6/480

* cited by examiner

Primary Examiner — Janice Seeger

(74) *Attorney, Agent, or Firm* — Foley & Lardner LLP

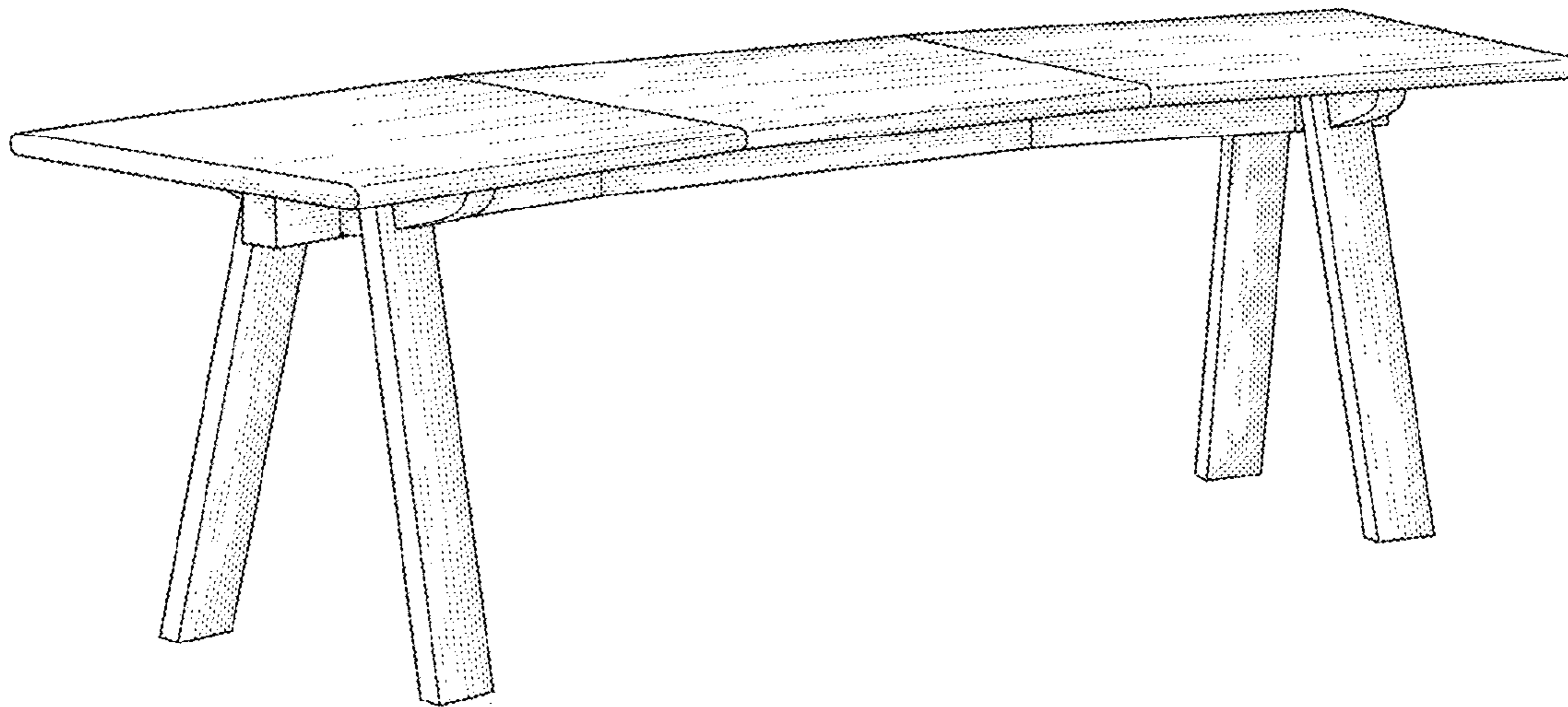
(57) **CLAIM**

I claim the ornamental design for a desk, as shown.

DESCRIPTION

FIG. 1 is a front view of a desk of the claimed design;
FIG. 2 is a rear view of the desk shown in FIG. 1;
FIG. 3 is a right side view of the desk shown in FIG. 1;
FIG. 4 is a left side view of the desk shown in FIG. 1;
FIG. 5 is a top view of the desk shown in FIG. 1;
FIG. 6 is a bottom view of the desk shown in FIG. 1; and,
FIG. 7 is a front perspective view of the desk shown in FIG. 1.

1 Claim, 7 Drawing Sheets



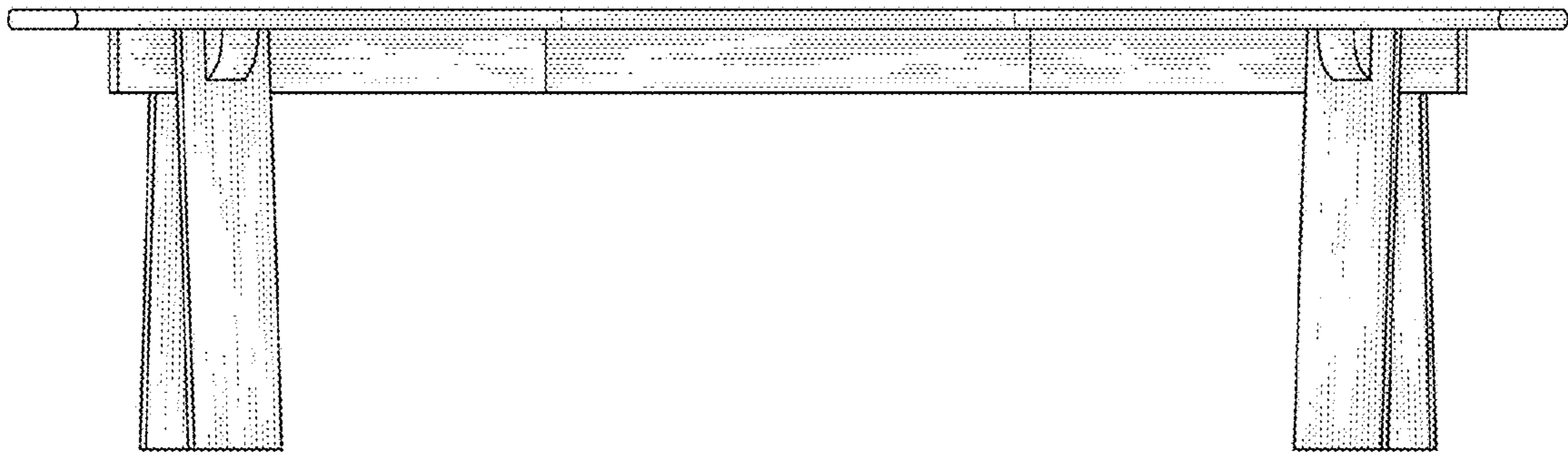


FIG. 1

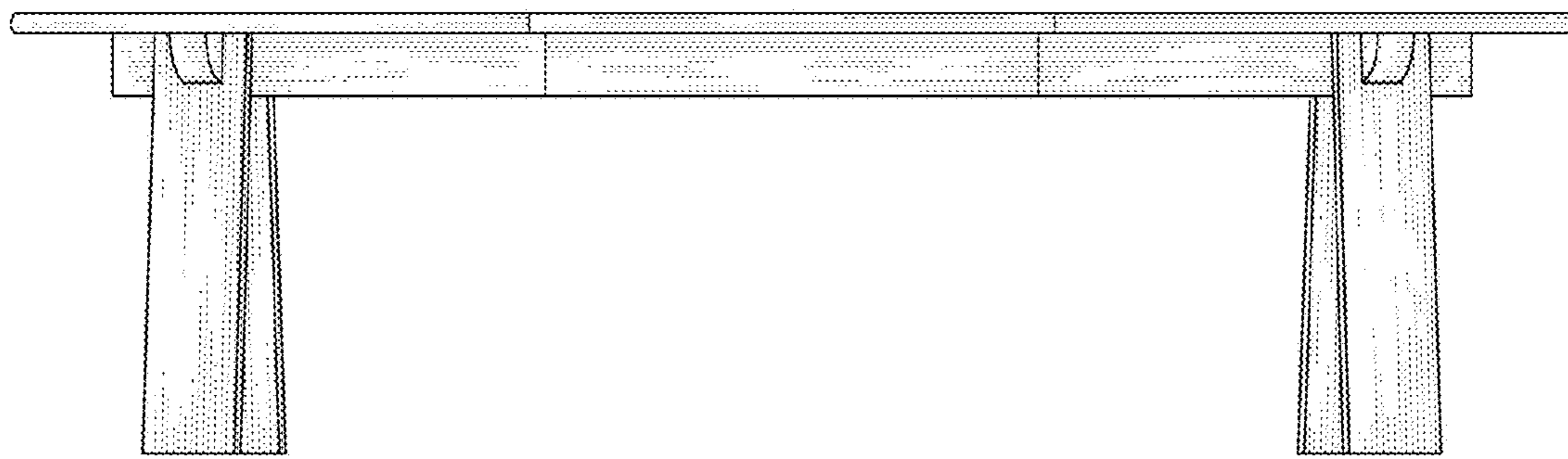


FIG. 2

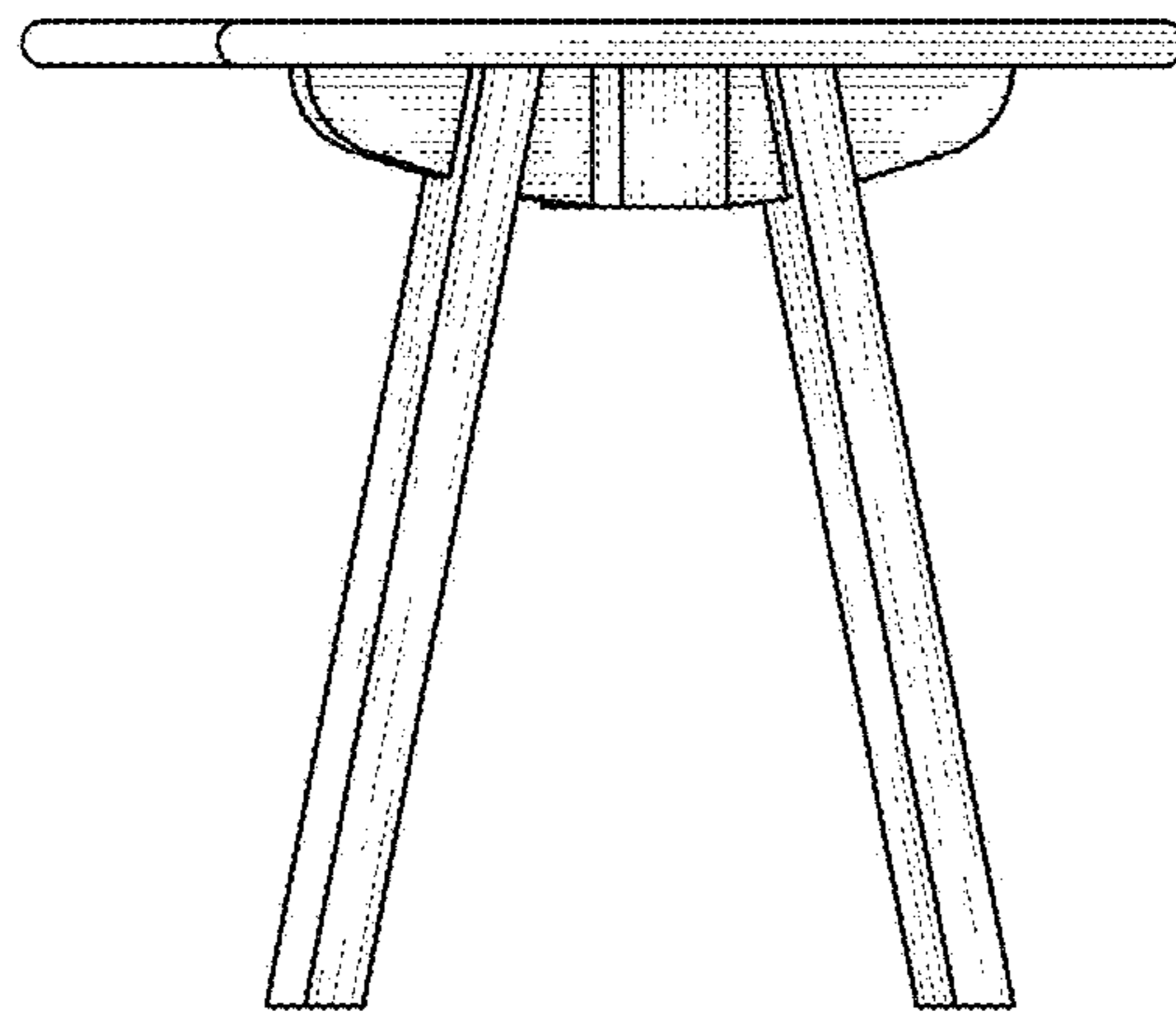


FIG. 3

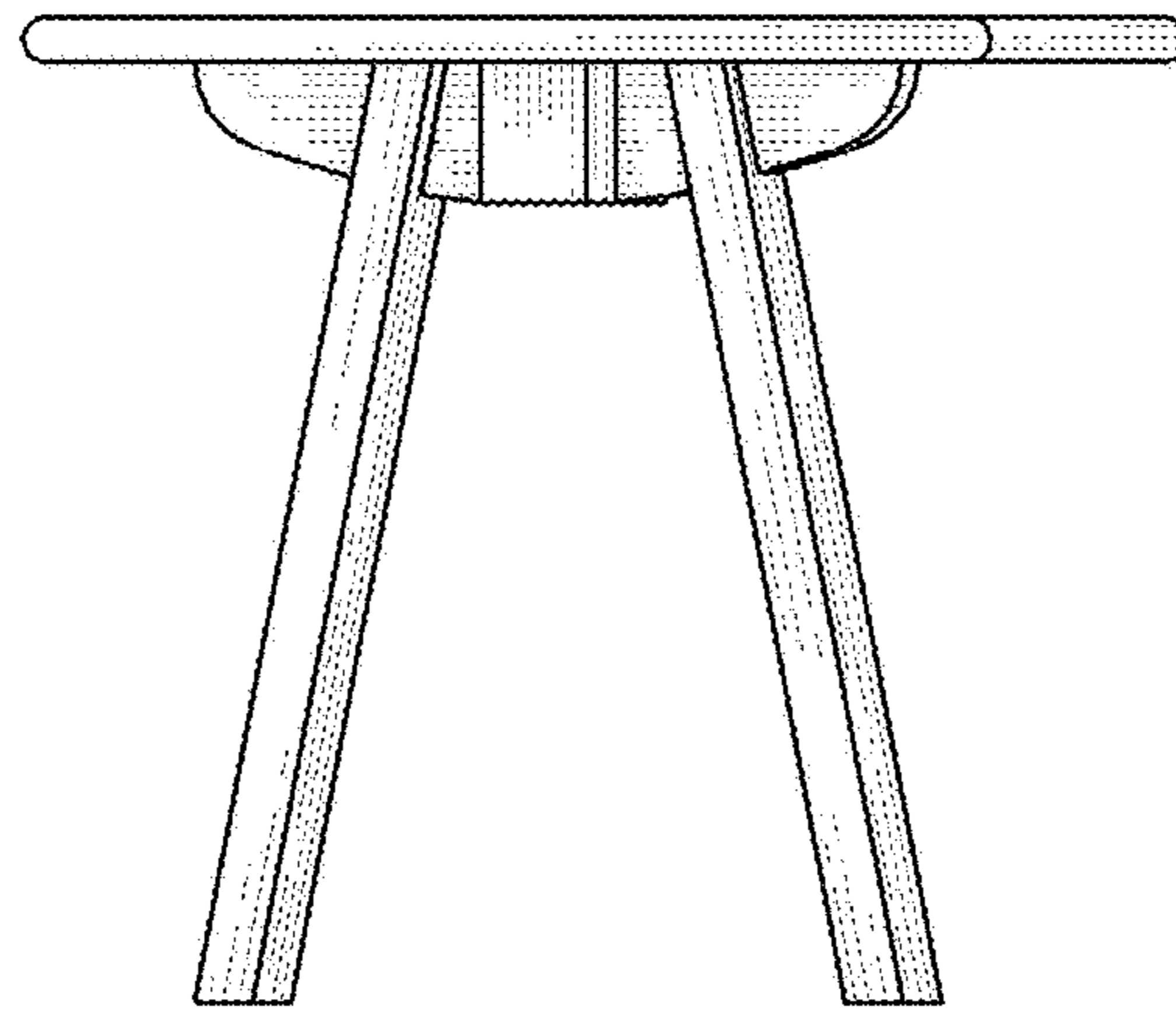


FIG. 4

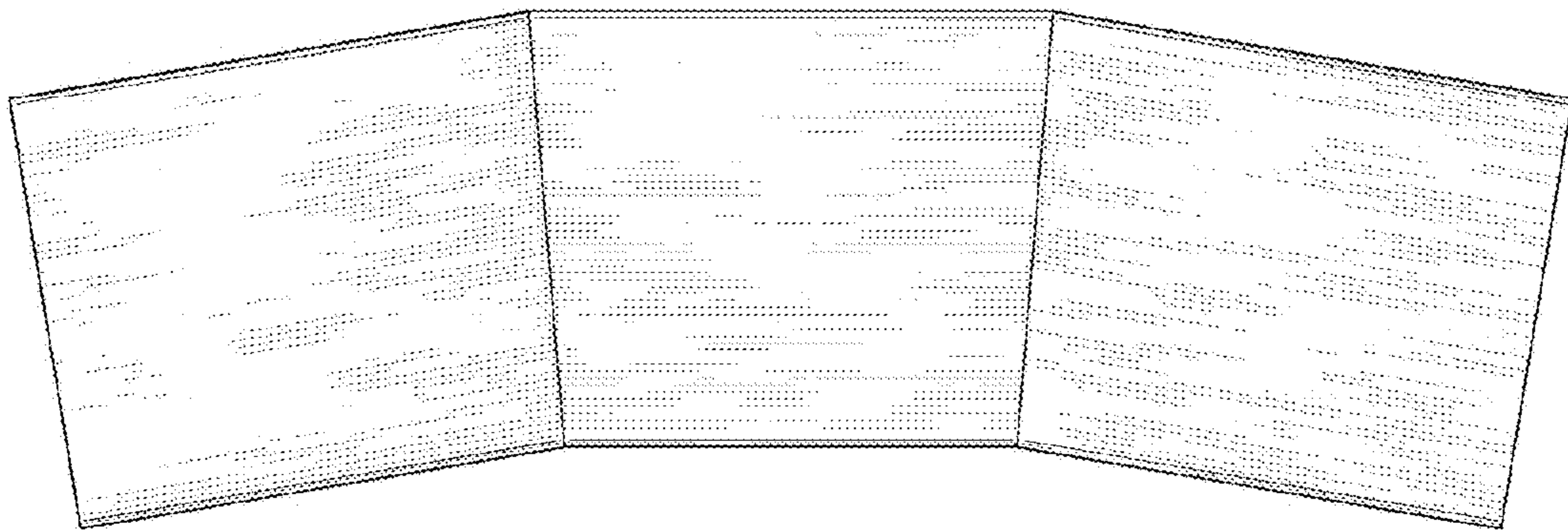


FIG. 5

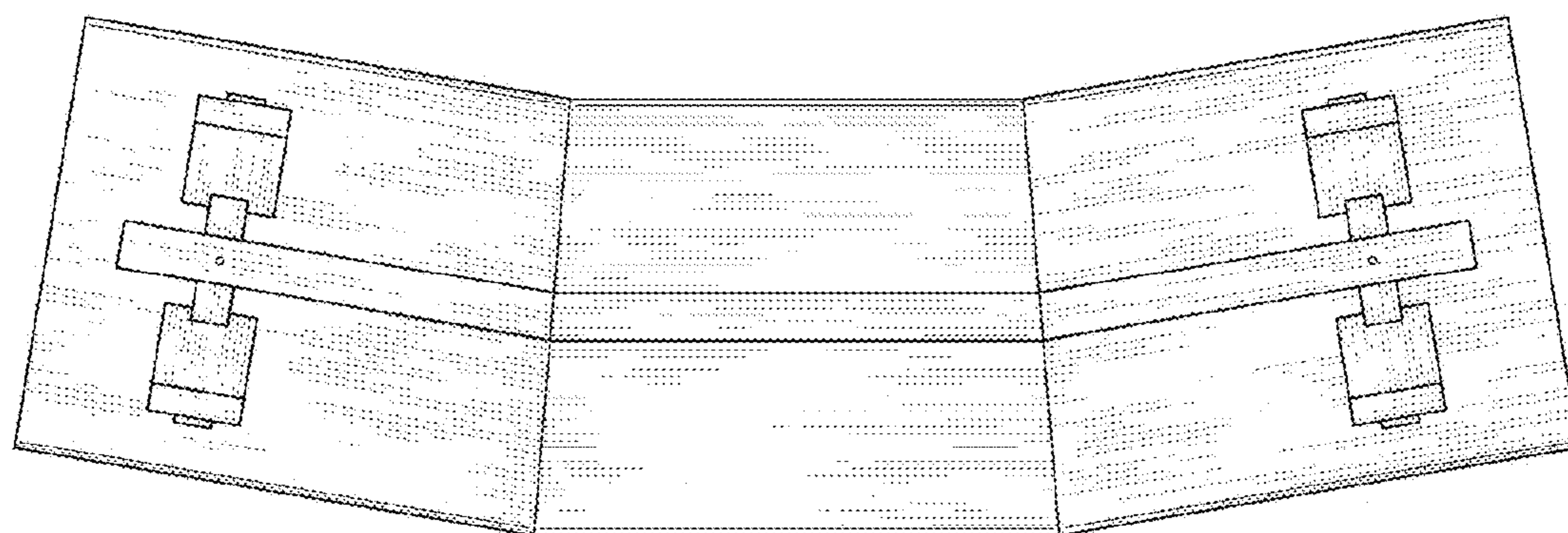


FIG. 6

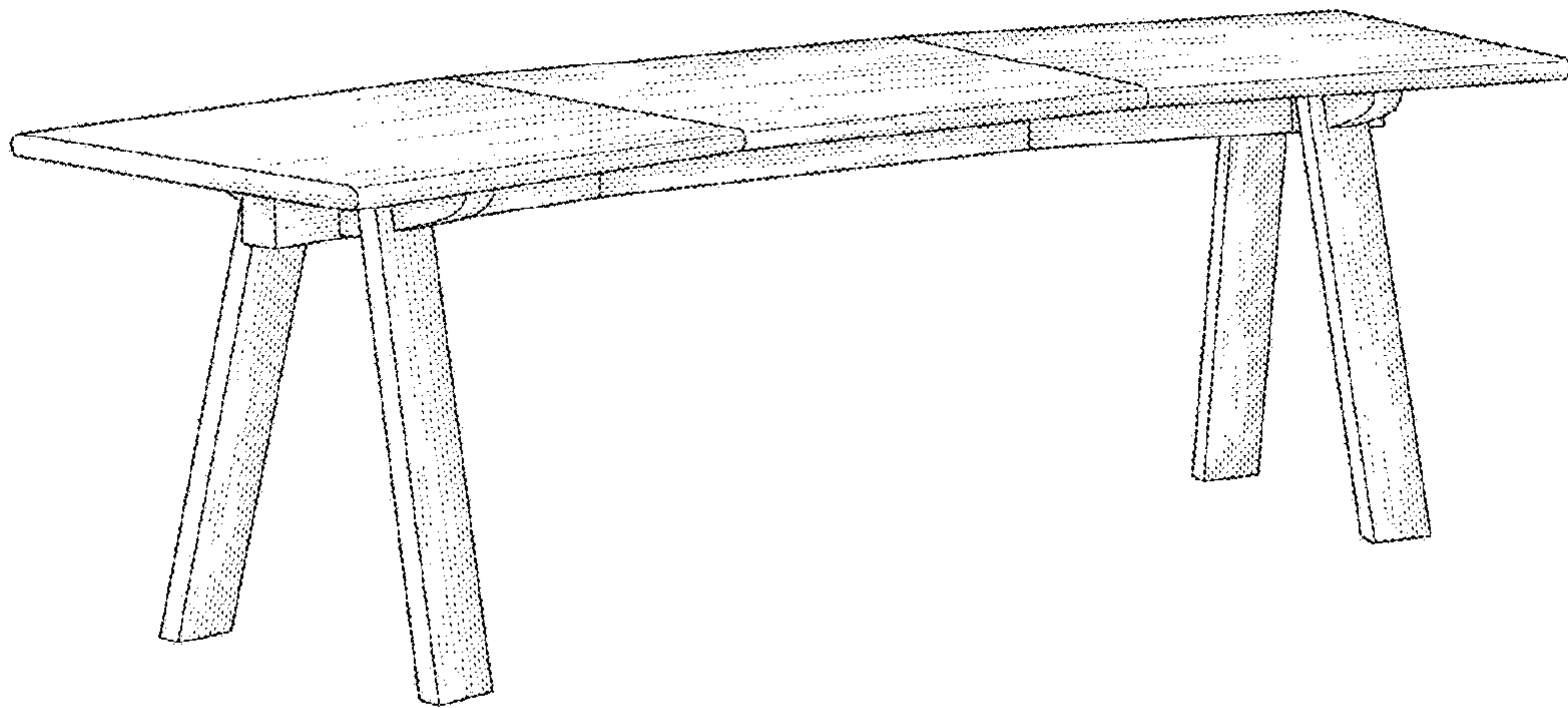


FIG. 7