



US00D689300S

(12) **United States Design Patent**
MacKenzie

(10) **Patent No.:** **US D689,300 S**

(45) **Date of Patent:** **** Sep. 10, 2013**

(54) **WALL SUPPORTED PLANTER**
(75) Inventor: **David S. MacKenzie**, Nunica, MI (US)
(73) Assignee: **Hortech, Inc.**, Nunica, MI (US)
(**) Term: **14 Years**

D547,235 S * 7/2007 Stanton et al. D11/156
7,536,829 B2 5/2009 Genma et al.
7,627,983 B1 12/2009 Deutsch-Aboulmahassine
D640,162 S * 6/2011 Hashimoto D11/143
D644,470 S * 9/2011 Hashimoto D6/556

(Continued)

FOREIGN PATENT DOCUMENTS

GB 2222063 2/1990
JP 2004248533 9/2004

(Continued)

OTHER PUBLICATIONS

International Search Report, Aug. 17, 2011, Korean Intellectual Property Office.

Primary Examiner — Garth Rademaker
(74) *Attorney, Agent, or Firm* — Price Heneveld LLP

(21) Appl. No.: **29/420,988**
(22) Filed: **May 15, 2012**
(51) **LOC (9) Cl.** **11-02**
(52) **U.S. Cl.**
USPC **D6/556**
(58) **Field of Classification Search**
USPC D6/403–405, 556–558; D8/1;
D11/143–156, 164; D19/77, 80, 81, 84;
D25/100; D26/9–11, 16, 19; D34/1, 2, 4–6;
D99/5, 19; 47/17, 32.4, 32.5, 33, 39, 41.01,
47/41.1, 41.11–41.15, 44–47, 65, 65.5, 65.9,
47/66.1, 66.6, 66.7, 67–71
See application file for complete search history.

CLAIM

(57) The ornamental design for a wall supported planter, as shown and described.

DESCRIPTION

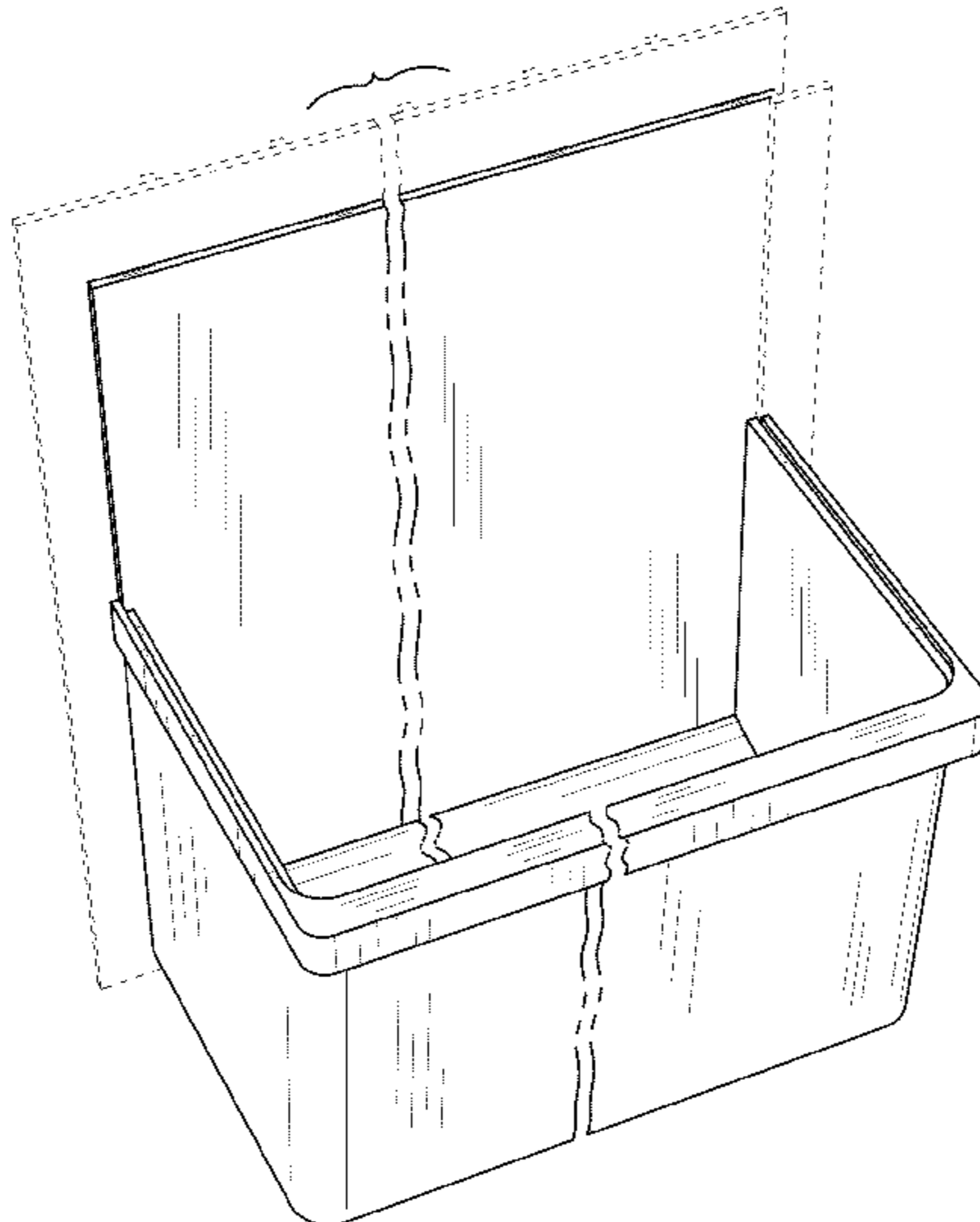
FIG. 1 is a top, front, side perspective view of a wall supported planter embodying the present invention;
FIG. 2 is a bottom, front, opposite side perspective view thereof;
FIG. 3 is a front elevational view thereof;
FIG. 4 is a side elevational view thereof;
FIG. 5 is an opposite side elevational view thereof;
FIG. 6 is a top plan view thereof; and,
FIG. 7 is a bottom plan view thereof.
The evenly-spaced broken lines illustrate environmental subject matter and the unevenly spaced broken lines illustrate breaks which indicate that the wall supported planter is of no particular width. None of the broken lines form any part of the claimed design.

(56) **References Cited**

U.S. PATENT DOCUMENTS

2,513,711 A 7/1950 Cain
2,514,536 A 7/1950 Burney
2,633,278 A * 3/1953 Muniz 224/411
4,123,873 A 11/1978 Canova
4,161,085 A 7/1979 Moffett, Jr.
D265,893 S * 8/1982 Whiting D11/156
4,658,541 A * 4/1987 Haile D11/143
4,920,695 A 5/1990 Garden
D313,374 S * 1/1991 Hartley D11/156
5,265,376 A 11/1993 Less
5,373,662 A * 12/1994 Wickstrom 47/82
D355,791 S * 2/1995 Briley D11/143
5,647,695 A 7/1997 Hilifiker et al.
5,826,375 A * 10/1998 Black 47/67
6,408,570 B1 6/2002 Shih et al.
6,615,542 B2 9/2003 Ware
7,171,782 B2 2/2007 Felknor et al.

1 Claim, 5 Drawing Sheets



US D689,300 S

Page 2

(56)

References Cited

2011/0192081 A1* 8/2011 MacKenzie 47/65.5

U.S. PATENT DOCUMENTS

8,281,517 B2* 10/2012 MacKenzie 47/83
2008/0110086 A1 5/2008 Julia
2009/0300984 A1 12/2009 Gordon
2010/0037517 A1 2/2010 Copping et al.
2011/0113685 A1* 5/2011 Chang 47/39

FOREIGN PATENT DOCUMENTS

JP 2005160381 6/2005
JP 2008029322 2/2008
JP 2011083200 4/2011

* cited by examiner

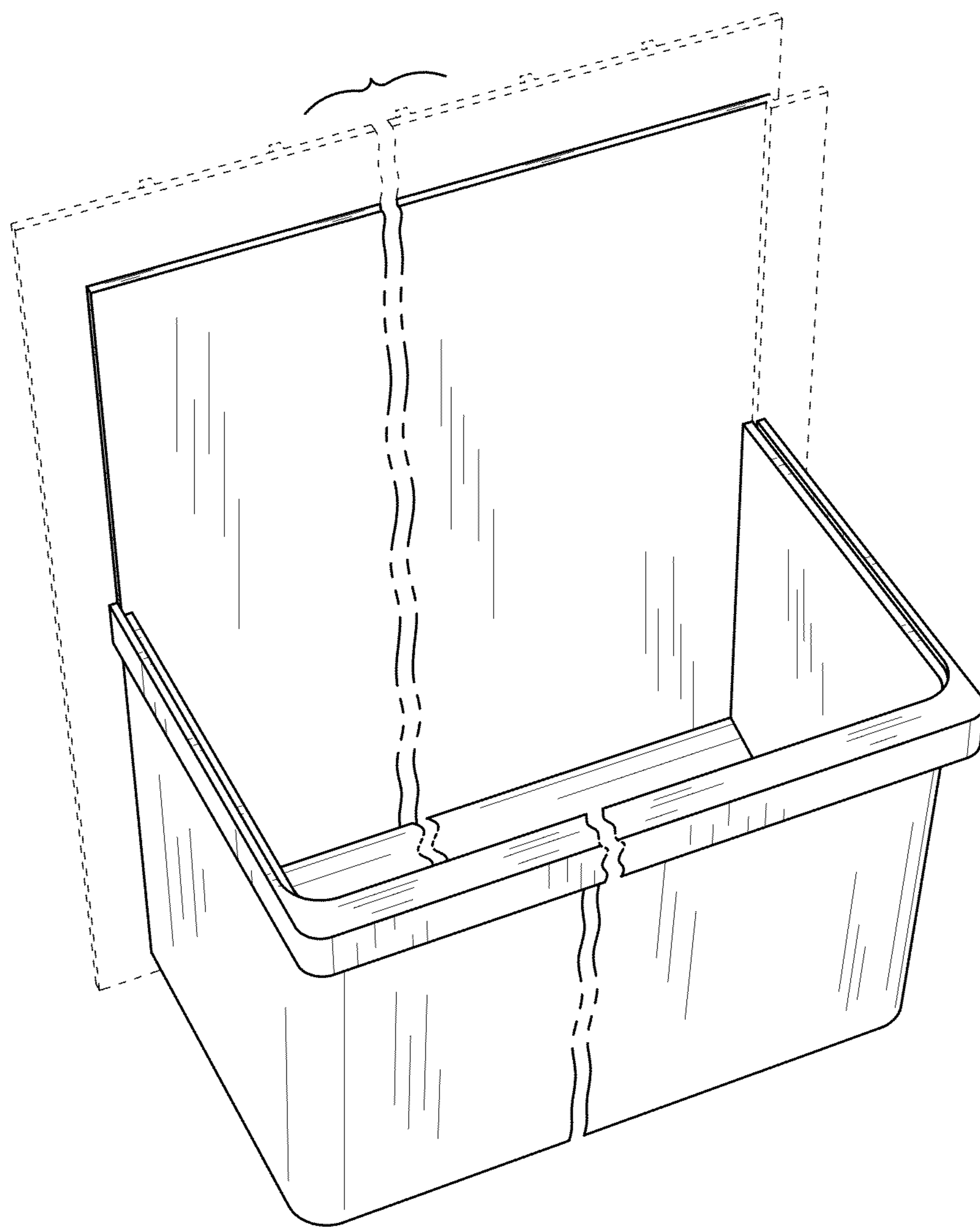


FIG. 1

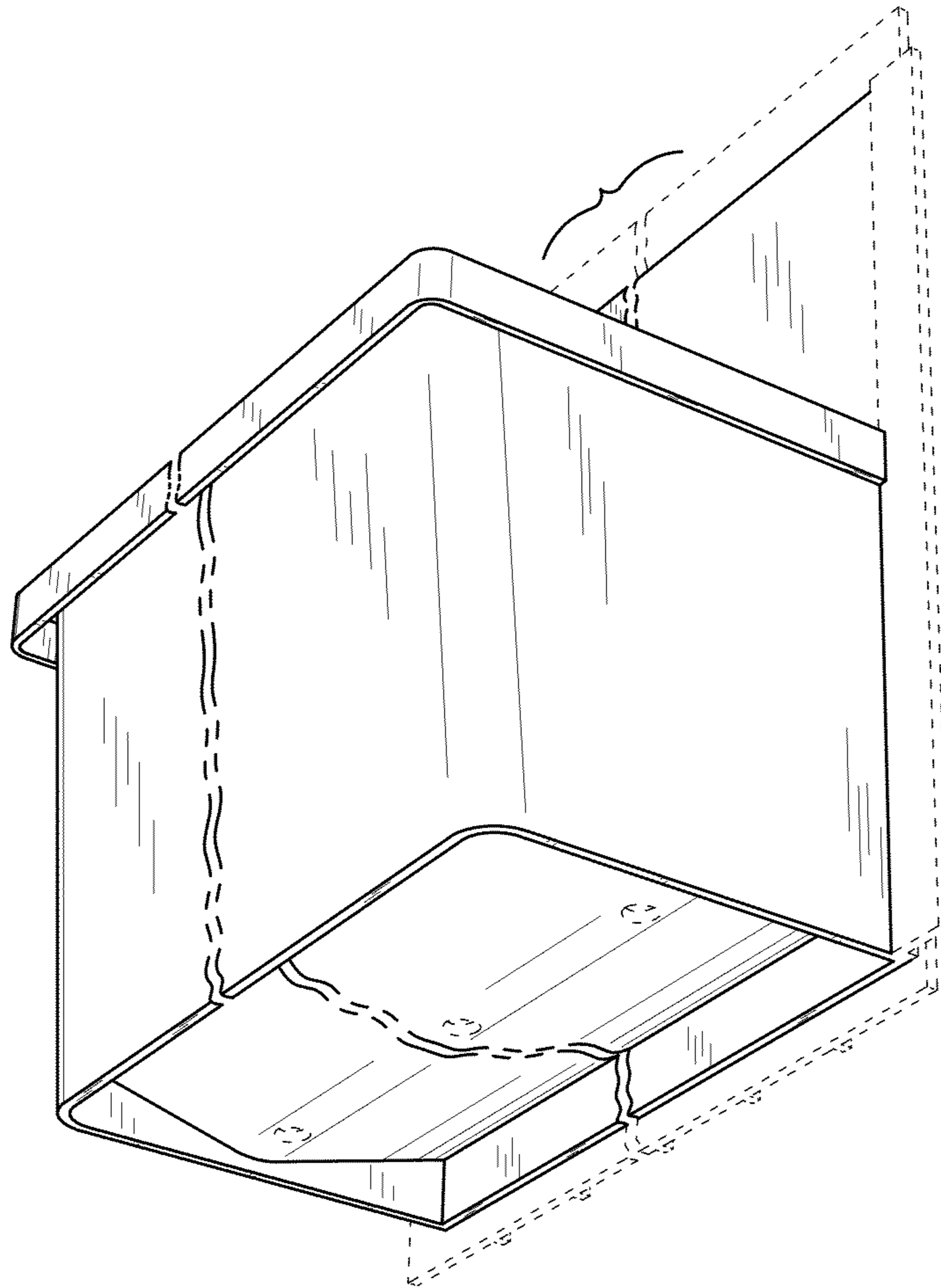


FIG. 2

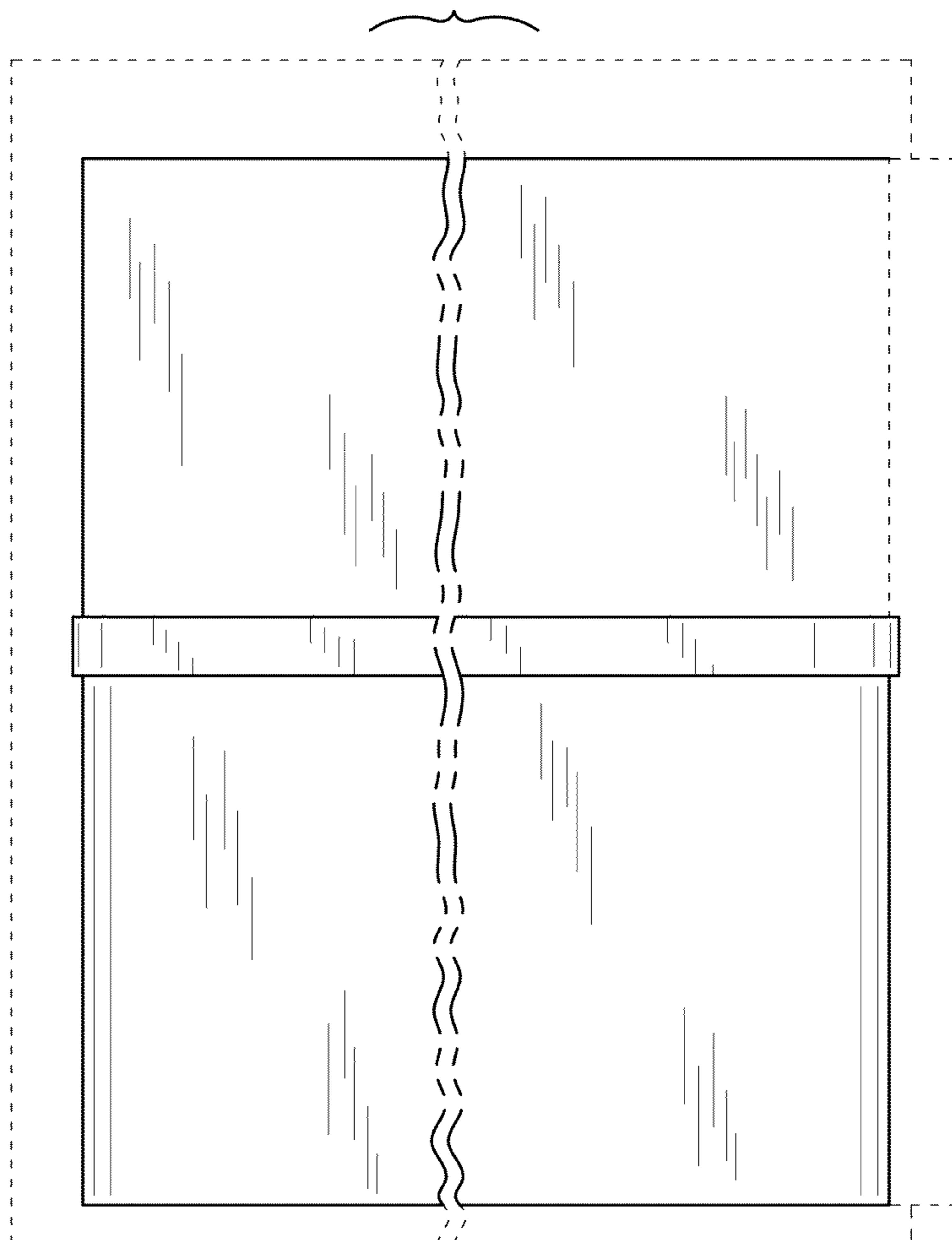


FIG. 3

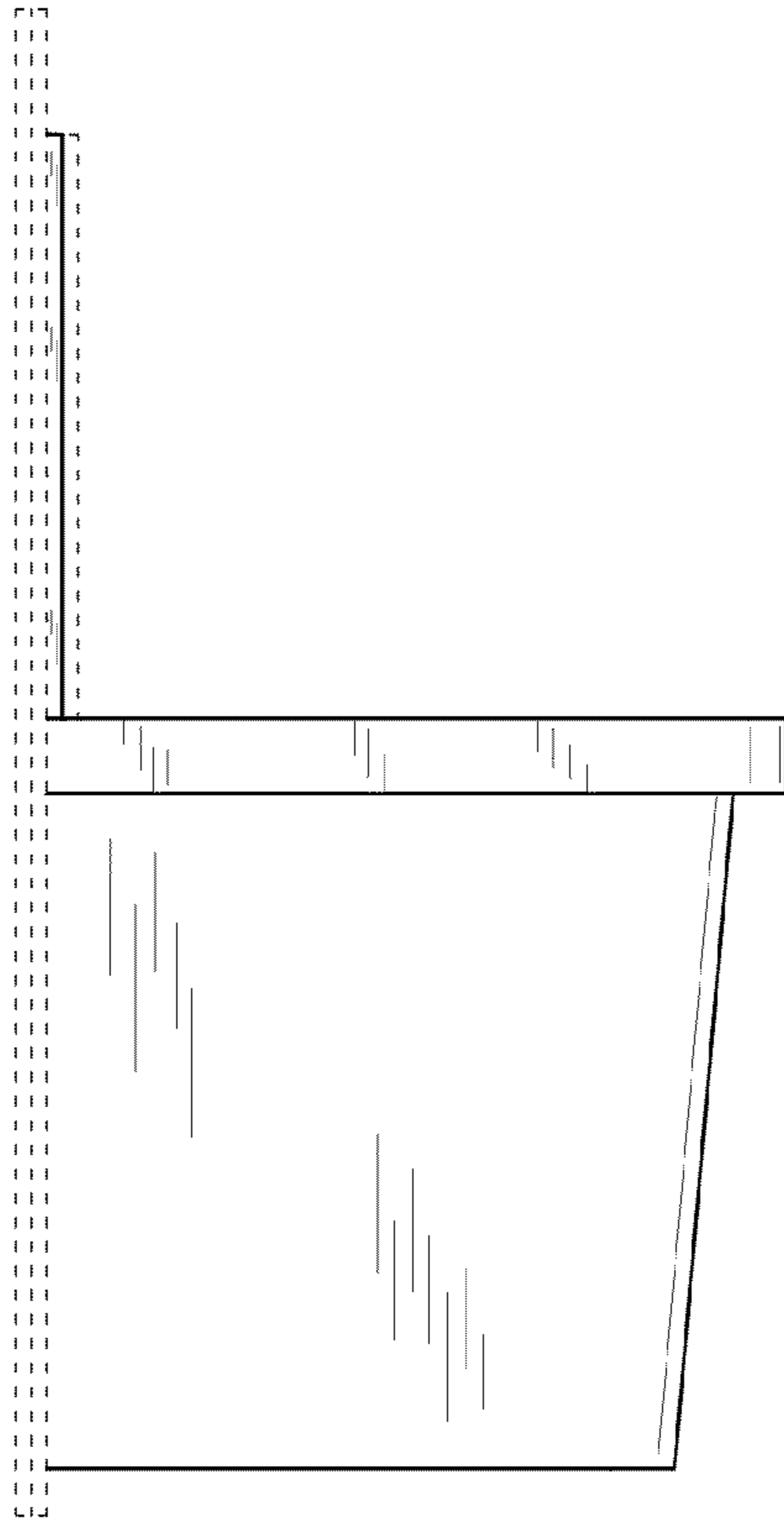


FIG. 4

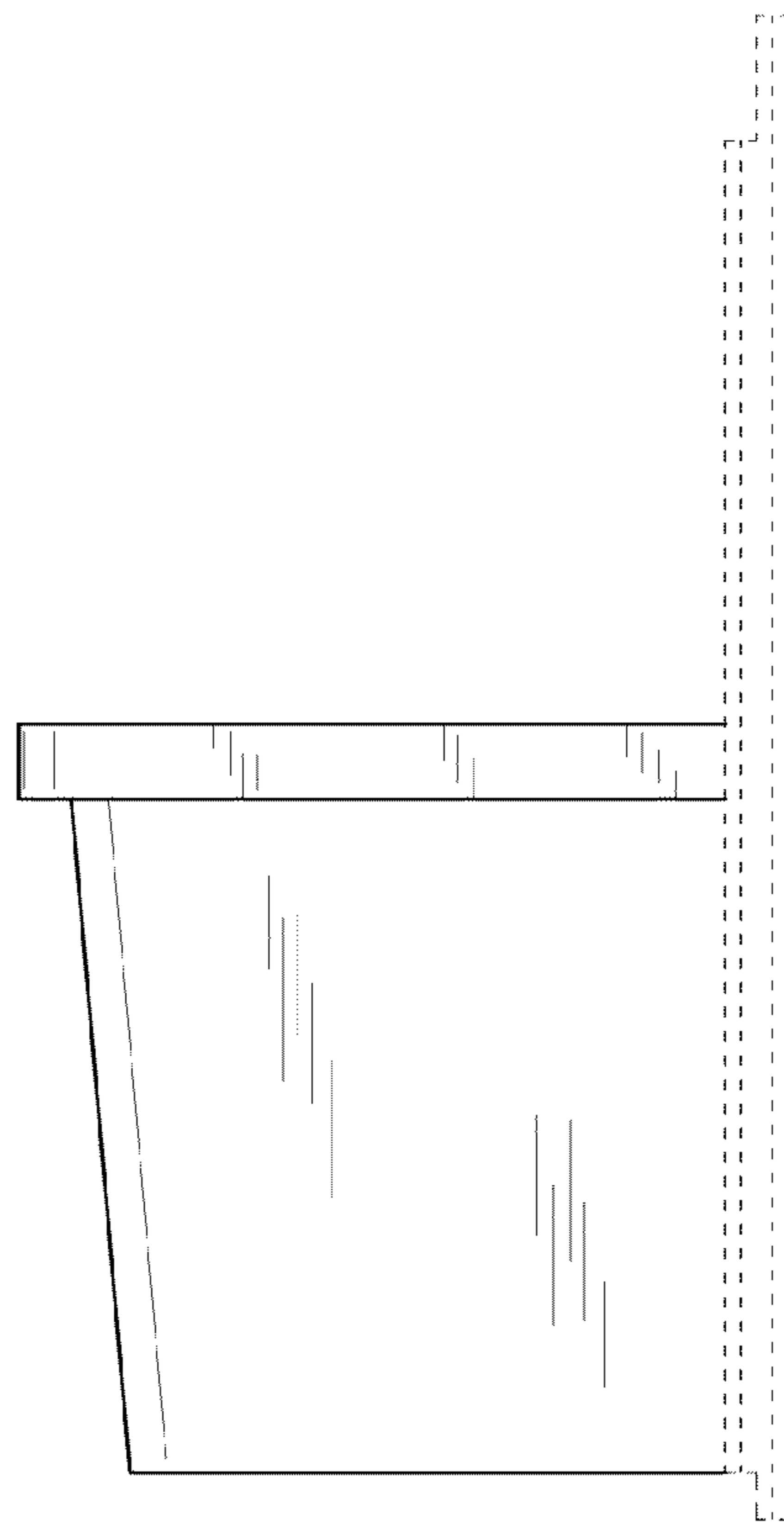


FIG. 5

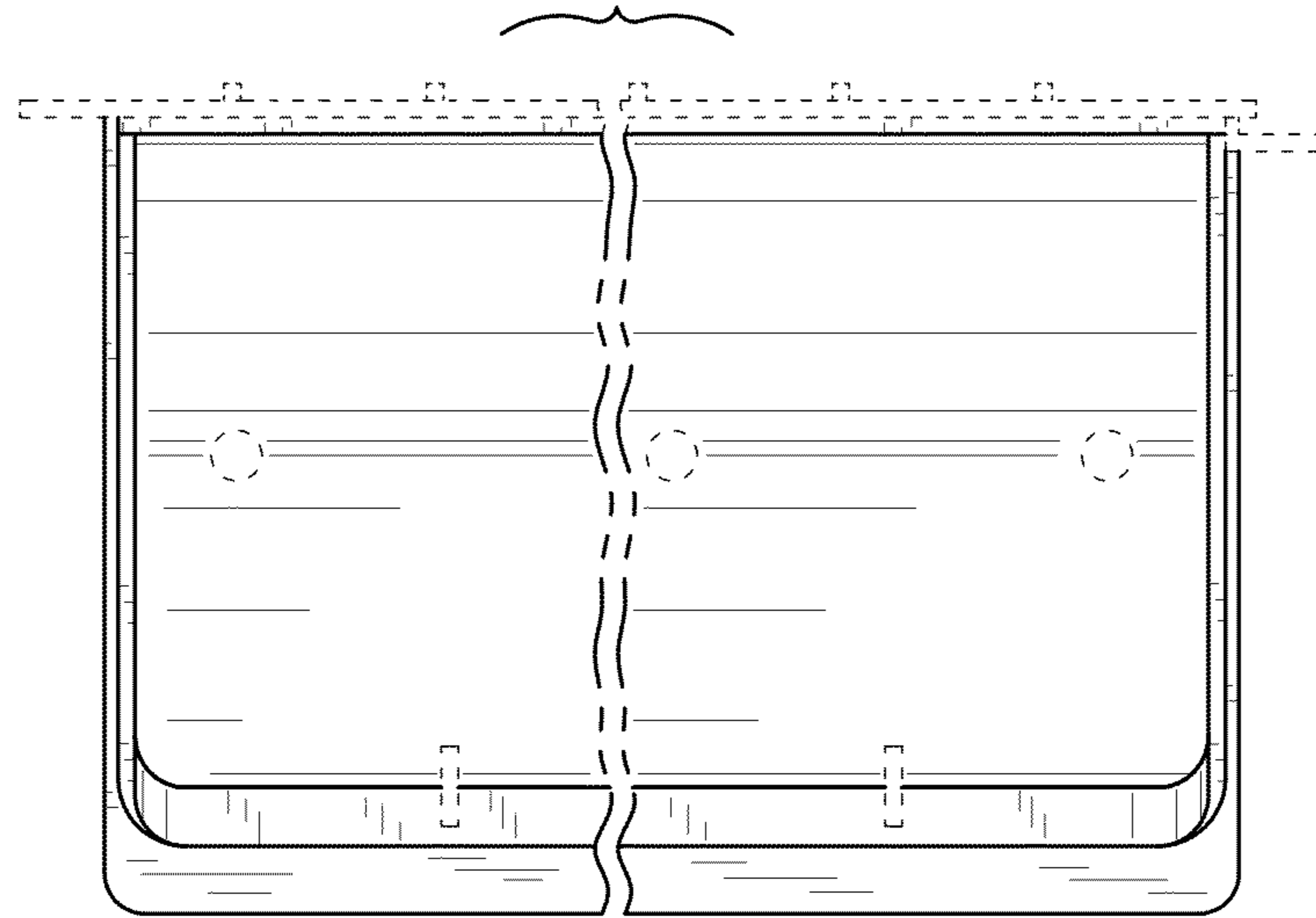


FIG. 6

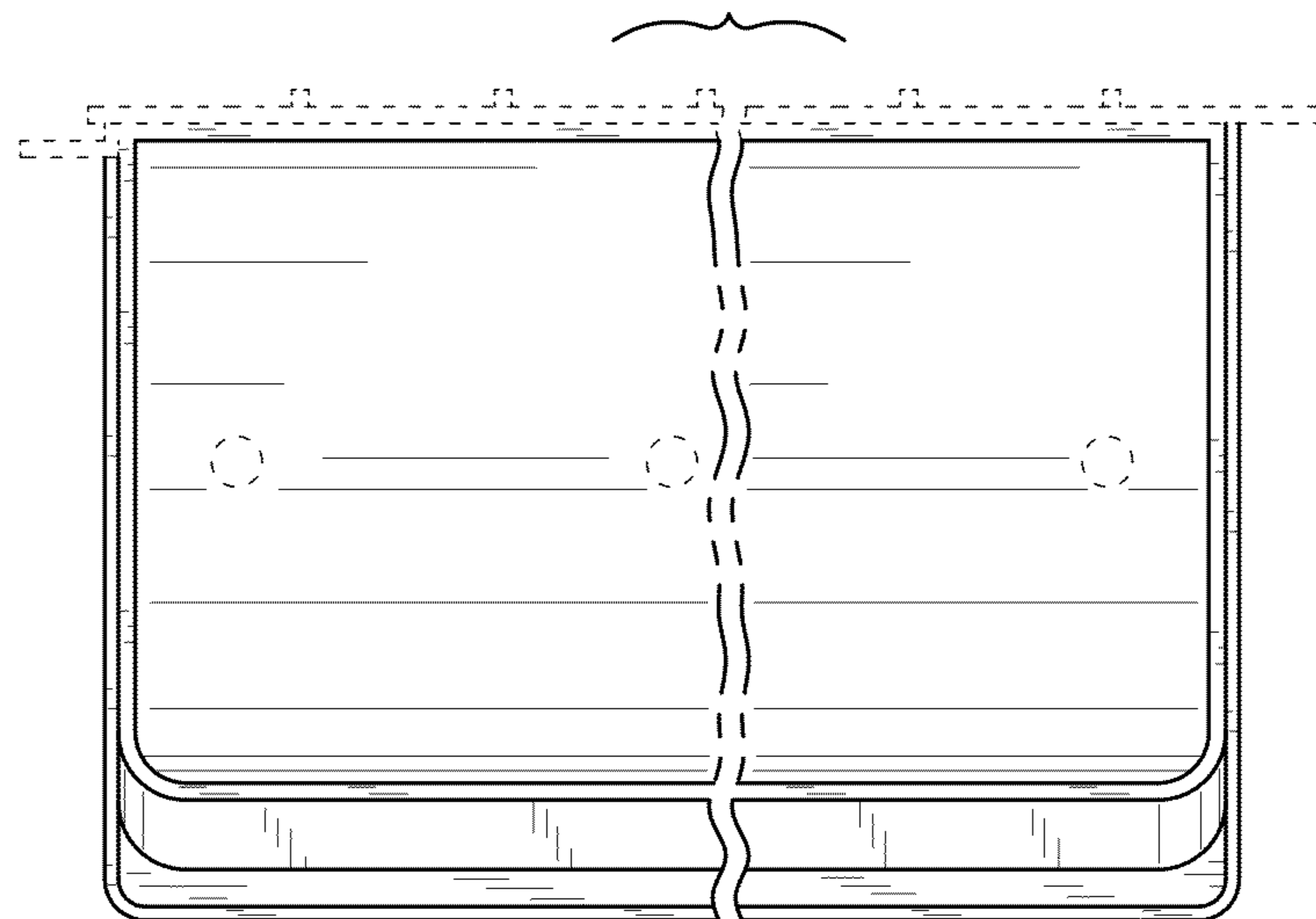


FIG. 7