



US00D689298S

(12) **United States Design Patent**
Andochick

(10) **Patent No.:** **US D689,298 S**

(45) **Date of Patent:** **** Sep. 10, 2013**

- (54) **TISSUE DISPENSER**
- (76) Inventor: **Scott E. Andochick**, Potomac, MD (US)
- (**) Term: **14 Years**
- (21) Appl. No.: **29/426,484**
- (22) Filed: **Jul. 6, 2012**
- (51) **LOC (9) Cl.** **20-02**
- (52) **U.S. Cl.**
USPC **D6/518; D3/303**
- (58) **Field of Classification Search**
USPC D6/542-545, 553, 567, 574, 515-525;
206/77.1; 211/13.1, 86.01, 87.01; 221/14,
221/92, 649, 146.1, 146.2, 105; 222/281-282;
D23/225; D8/349, 354, 363, 373, 394;
D24/155; D3/205, 303; D9/702, 711, 433
See application file for complete search history.

- 4,838,424 A 6/1989 Petzelt
- 4,967,988 A 11/1990 Nguyen
- 5,018,625 A 5/1991 Focke et al.
- 5,029,787 A 7/1991 Florentin
- 5,040,685 A 8/1991 Focke et al.
- 5,065,970 A 11/1991 Gross
- 5,076,465 A 12/1991 Lawson
- 5,123,566 A 6/1992 Lage et al.
- 5,184,725 A 2/1993 Reinheimer et al.
- 5,213,243 A 5/1993 Landon
- 5,332,138 A 7/1994 Gross et al.
- D352,172 S * 11/1994 Aversa et al. D3/303
- 5,398,856 A 3/1995 Shyu
- 5,407,642 A 4/1995 Lord
- 5,516,000 A 5/1996 Freiburger et al.
- 5,524,759 A 6/1996 Herzberg et al.
- 5,544,750 A 8/1996 Randall
- 5,564,562 A 10/1996 Focke et al.

(Continued)

FOREIGN PATENT DOCUMENTS

- CA 2300736 4/2001
- JP 02-296686 A 12/1990

(Continued)

Primary Examiner — Brian N Vinson

(56) **References Cited**

U.S. PATENT DOCUMENTS

- 2,297,806 A 4/1941 Smith
- 2,287,581 A 6/1942 Walker
- D157,738 S 3/1950 Chase
- 2,559,528 A 7/1951 Barrett
- 2,619,226 A 11/1952 Adams
- 2,621,788 A 12/1952 Hitchcock
- D182,410 S 4/1958 Gemora
- 2,854,134 A 9/1958 Humphrey
- D201,704 S 7/1965 Howard
- D205,637 S 8/1966 Wilson
- 3,285,398 A 11/1966 Larkin
- 3,801,056 A 4/1974 Brody
- 3,921,797 A 11/1975 Platt
- D251,329 S 3/1979 Collesano
- 4,250,938 A 2/1981 Siegel
- D262,422 S 12/1981 Ortiz et al.
- 4,460,088 A 7/1984 Rugenstein et al.
- D277,169 S 1/1985 Ito et al.
- 4,540,091 A 9/1985 Habock

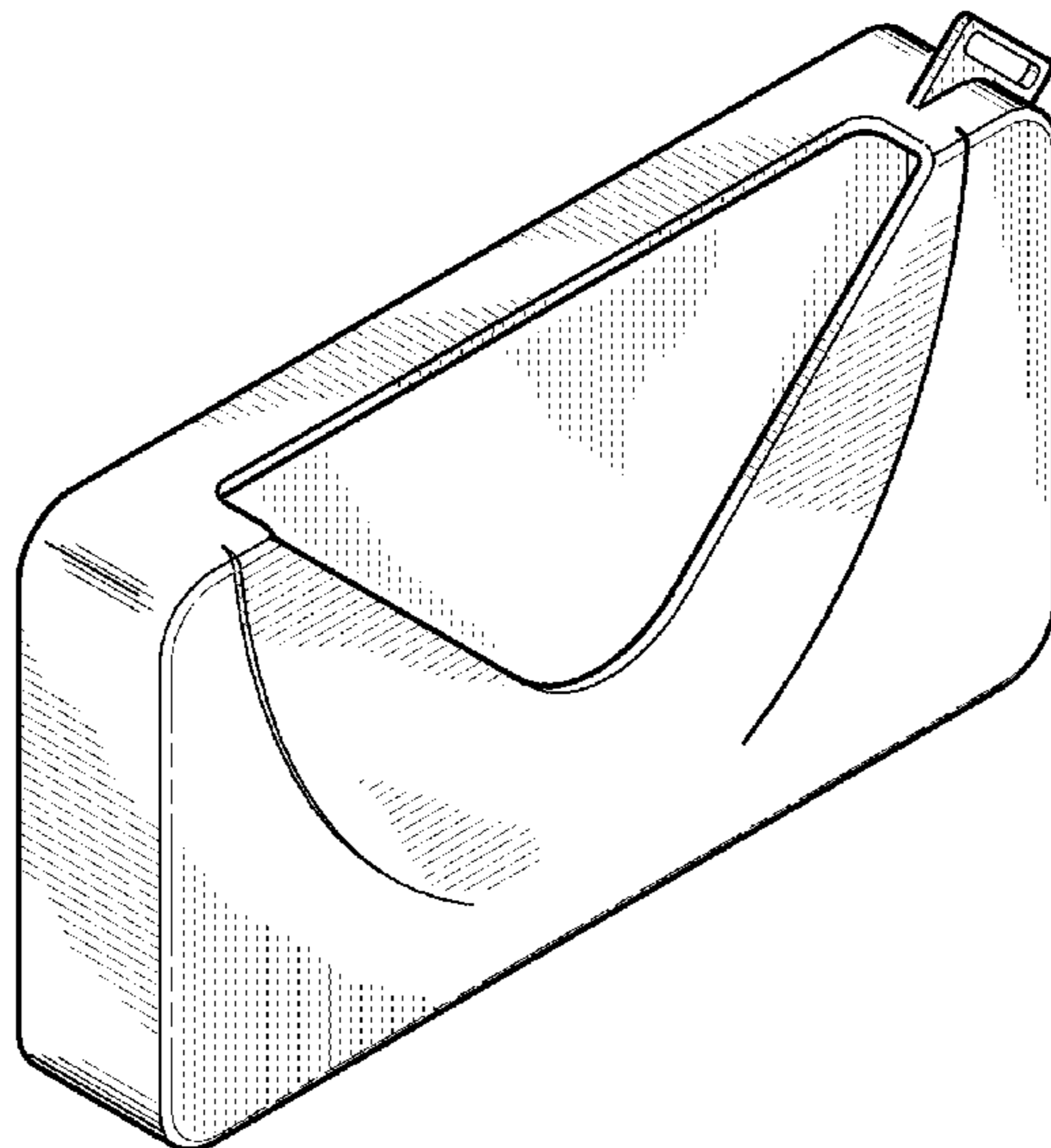
(57) **CLAIM**

The ornamental design for a tissue dispenser, as shown and described.

DESCRIPTION

FIG. 1 is a perspective view of a tissue dispenser showing my new design;
 FIG. 2 is a front elevational view thereof;
 FIG. 3 is a right side elevational view thereof;
 FIG. 4 is a top view thereof;
 FIG. 5 is a bottom view thereof;
 FIG. 6 is a rear elevational view thereof; and,
 FIG. 7 is a left side elevational view thereof.

1 Claim, 2 Drawing Sheets



(56)

References Cited

U.S. PATENT DOCUMENTS

5,573,132 A 11/1996 Kanfer et al.
 5,655,270 A 8/1997 Boisvert
 D389,682 S 1/1998 Gene
 5,863,033 A 1/1999 Bradford
 5,915,545 A 6/1999 Shackel et al.
 6,135,409 A 10/2000 O’Keeffe
 6,164,442 A 12/2000 Stravitz
 6,170,651 B1 1/2001 Taormina
 6,170,725 B1 1/2001 Ganues
 6,196,435 B1 3/2001 Wu
 D445,332 S 7/2001 Breiding et al.
 6,318,590 B1 11/2001 McMurray-Stivers
 6,364,185 B2 4/2002 Wu
 6,419,114 B1 7/2002 Lenz et al.
 6,431,360 B1 8/2002 Julius
 D463,975 S 10/2002 Sipinen
 D465,728 S 11/2002 Feyereisen
 6,474,610 B1 11/2002 Hsieh
 D472,141 S 3/2003 Buschkiel et al.
 6,543,737 B2 4/2003 Decker et al.
 6,561,378 B1 5/2003 Roessler et al.
 6,609,616 B2 8/2003 Dilnik et al.
 6,610,966 B2 8/2003 Julius
 6,729,467 B1 5/2004 King
 6,834,773 B2 12/2004 Wu
 D507,176 S 7/2005 Abgarian
 D507,966 S 8/2005 Abgarian
 7,012,727 B2 3/2006 Hutzet et al.
 D522,290 S * 6/2006 Ferderer D6/518
 D528,435 S 9/2006 Keberlein
 7,100,769 B2 9/2006 Tourre et al.
 D530,223 S 10/2006 Mau et al.
 7,140,492 B2 11/2006 Julius
 7,185,865 B1 3/2007 Patrick
 D551,968 S 10/2007 Kleinsmith
 7,275,656 B1 10/2007 Samadani
 7,275,658 B2 10/2007 Decker et al.
 D554,497 S * 11/2007 VanDerStighelen D9/711
 D556,053 S 11/2007 Kiberlein et al.

7,313,886 B2 1/2008 Brown et al.
 7,870,983 B2 1/2011 Chen
 D647,340 S * 10/2011 Stephens D6/518
 D668,964 S * 10/2012 Althoff D9/711
 D671,345 S * 11/2012 Rich D6/518
 2001/0040107 A1 11/2001 Tourre et al.
 2001/0040114 A1 11/2001 Laurent
 2001/0054620 A1 12/2001 Blissett et al.
 2002/0084204 A1 7/2002 Dilnik et al.
 2002/0084279 A1 7/2002 Lickstein
 2002/0139705 A1 10/2002 Hajianpour
 2002/0158175 A1 10/2002 Hsieh
 2003/0015543 A1 1/2003 Turbett et al.
 2003/0019536 A1 1/2003 Smith
 2003/0024919 A1 2/2003 Julius
 2003/0178336 A1 9/2003 Zomorodi et al.
 2003/0213810 A1 11/2003 Wu
 2004/0040869 A1 3/2004 Menceles
 2004/0124101 A1 7/2004 Mitchell et al.
 2004/0124654 A1 7/2004 Song
 2004/0178210 A1 9/2004 McDonald
 2004/0195256 A1 10/2004 Goepfert et al.
 2005/0109652 A1 5/2005 Goepfert
 2005/0211715 A1 9/2005 Parris et al.
 2005/0211716 A1 9/2005 Decker et al.
 2005/0211718 A1 9/2005 Decker et al.
 2005/0274762 A1 12/2005 Belokin et al.
 2006/0175491 A1 8/2006 Hays
 2008/0142536 A1 6/2008 Cohen et al.
 2008/0169303 A1 7/2008 Brookie
 2010/0032536 A1 2/2010 Eagan

FOREIGN PATENT DOCUMENTS

JP 11-105951 A 4/1999
 JP 11-346954 A 12/1999
 JP 02000142839 A 5/2000
 JP 02002347861 A 12/2002
 JP 2003116743 A 4/2003
 JP 02004089640 A 3/2004
 JP 2005075326 A 3/2005

* cited by examiner

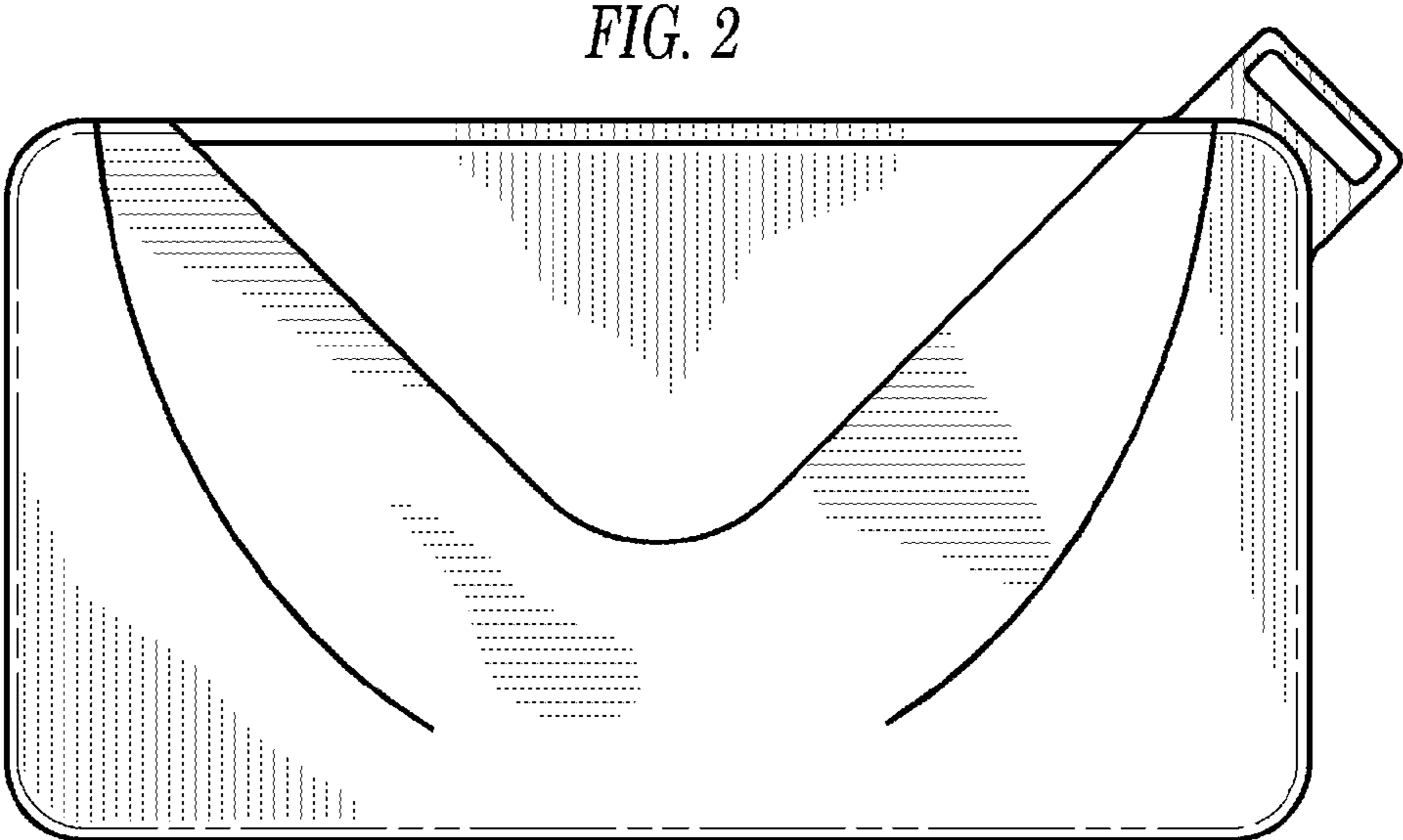
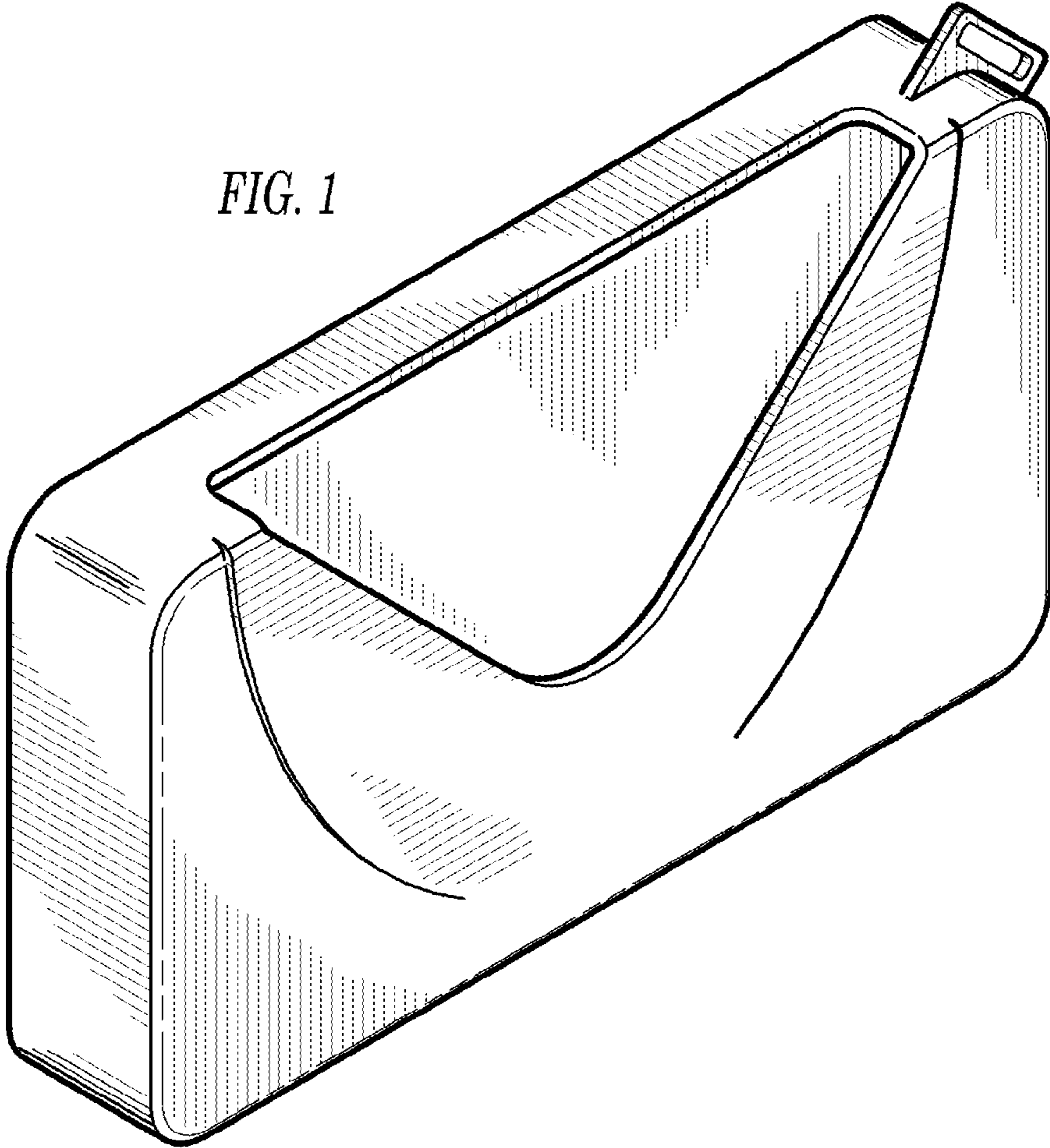


FIG. 4

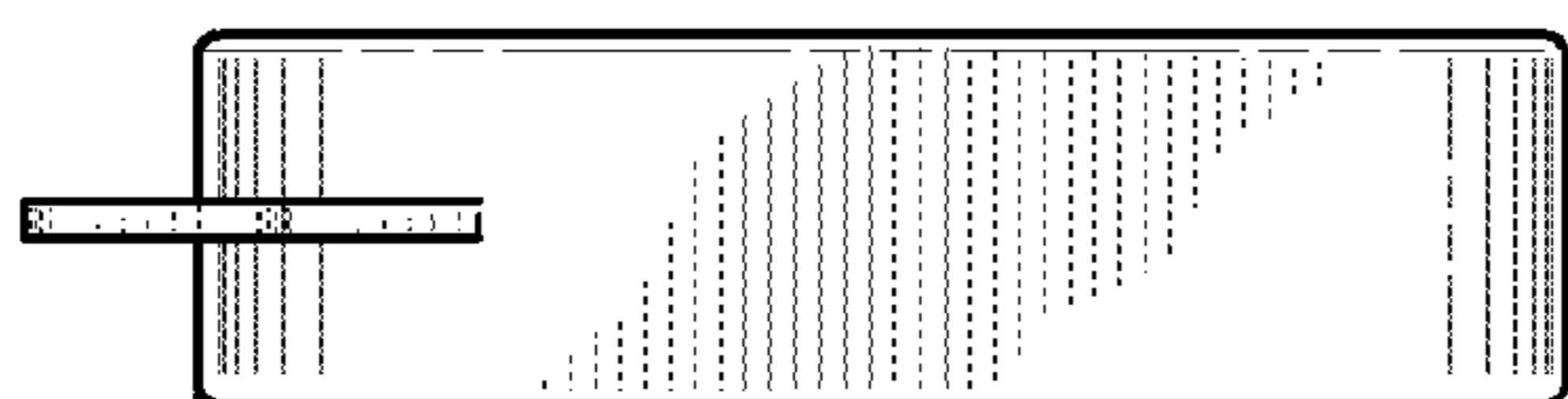
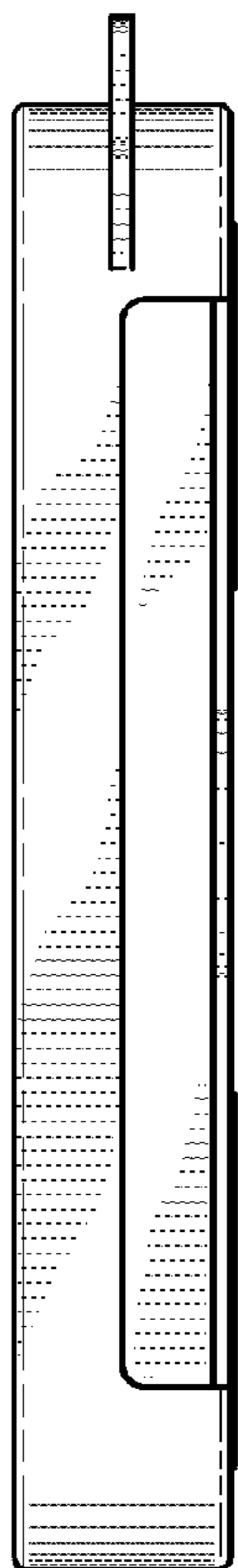


FIG. 3

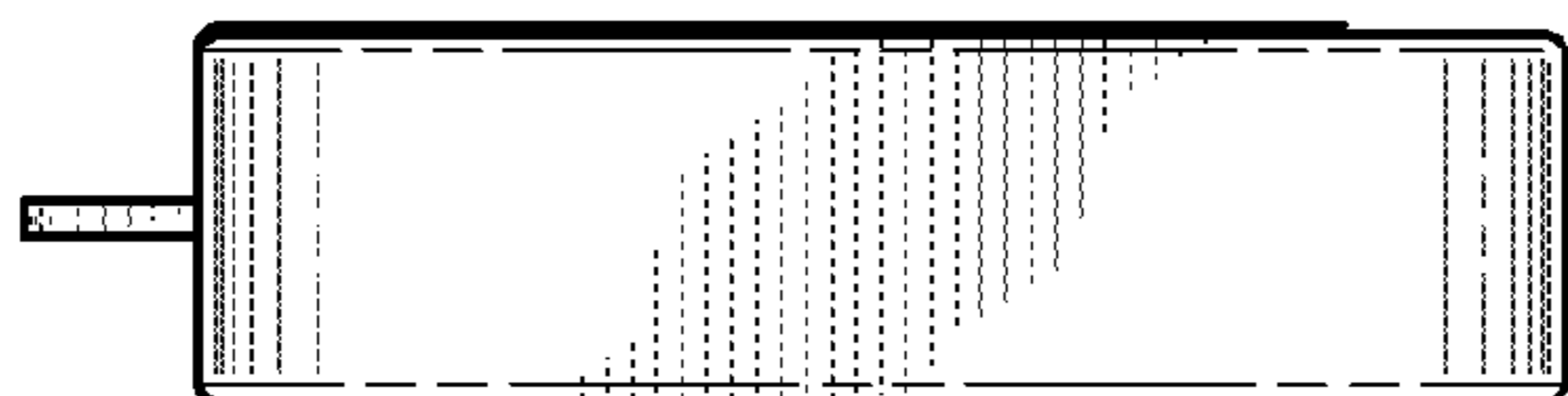


FIG. 7

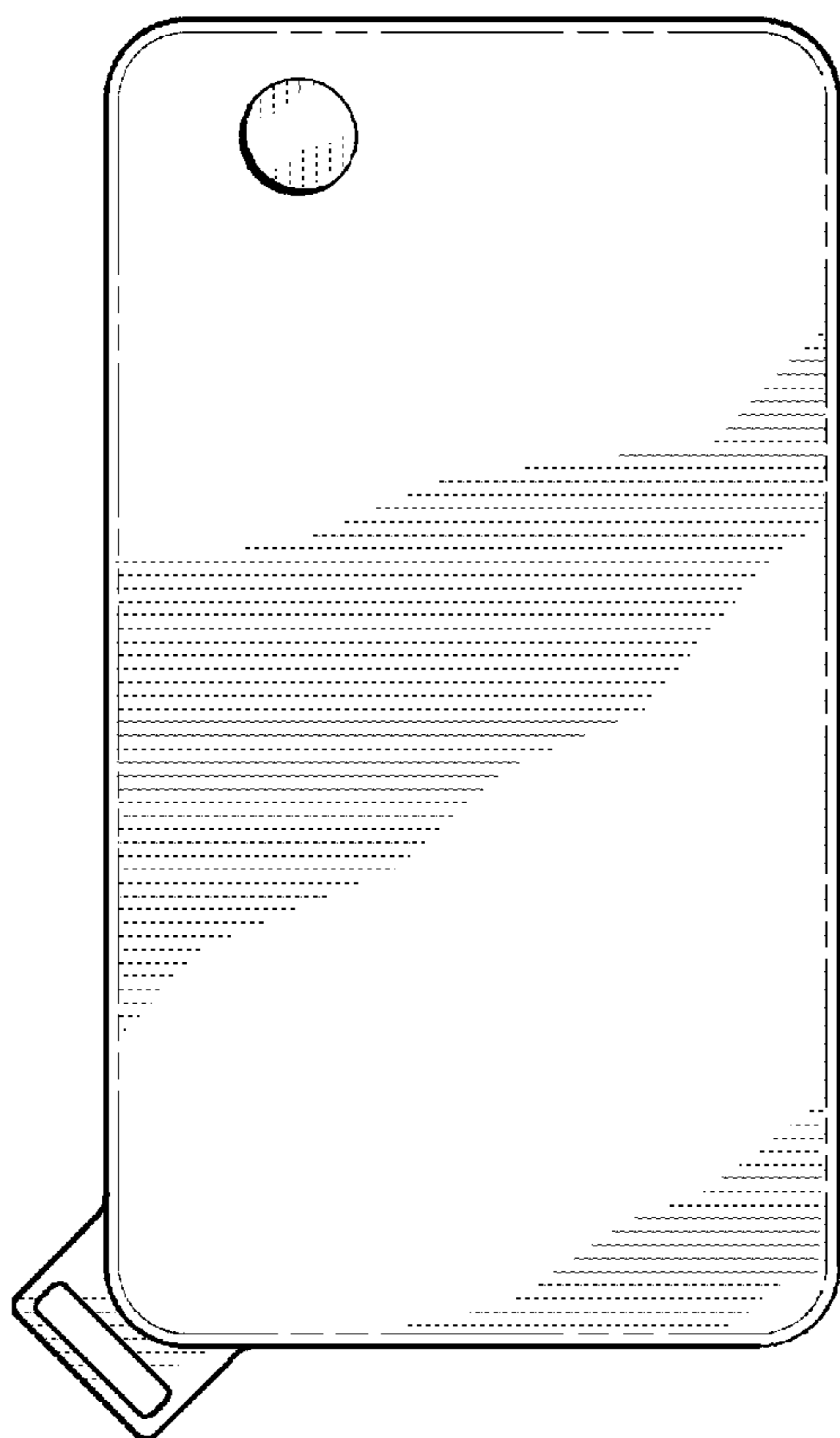


FIG. 6

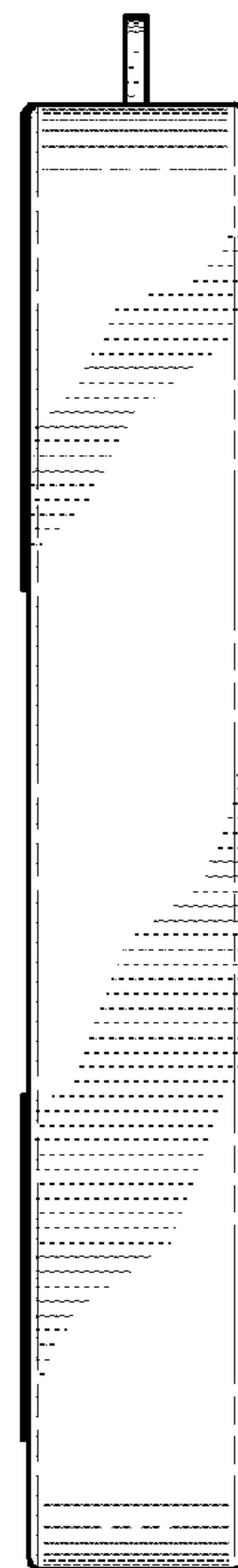


FIG. 5