



US00D689294S

(12) **United States Design Patent**
Levine

(10) **Patent No.:** **US D689,294 S**
(45) **Date of Patent:** **** Sep. 10, 2013**

(54) **TRANSPARENT BASE CHAIR**

(76) Inventor: **David Levine**, Valley Village, CA (US)

(**) Term: **14 Years**

(21) Appl. No.: **29/418,044**

(22) Filed: **Apr. 11, 2012**

(51) **LOC (9) Cl.** **06-01**

(52) **U.S. Cl.**
USPC **D6/372**

(58) **Field of Classification Search**
USPC D6/334–336, 344–353, 360–381,
D6/388, 403, 491–502, 692, 708, 716, 716.2–716.4;
297/16.1, 22, 31, 35, 217.1, 228.12, 239,
297/256.16, 271.6, 284.4–284.5, 291, 297,
297/302.4, 411.2, 411.27–411.29, 411.43,
297/423.1, 423.12, 440.11, 440.15, 440.24,
297/448.1, 451.4, 452.13, 452.19, 452.21,
297/452.27, 452.29, 452.3, 452.41, 452.56,
297/452.64

See application file for complete search history.

(56) **References Cited**

U.S. PATENT DOCUMENTS

D240,311 S *	6/1976	Owens	D6/375
D360,995 S *	8/1995	Pedersen	D6/371
D572,929 S *	7/2008	van Ierssel et al.	D6/375
D588,825 S *	3/2009	van Ierssel et al.	D6/375
D625,117 S *	10/2010	Houriet	D6/379
D639,079 S *	6/2011	Kreitmann	D6/335
D651,427 S *	1/2012	Cox	D6/375
D679,516 S *	4/2013	Zannella	D6/375

* cited by examiner

Primary Examiner — Ricky Pham
(74) *Attorney, Agent, or Firm* — Cotman IP Law Group, PLC

(57) **CLAIM**
The ornamental design for a transparent base chair, as shown and described herein.

DESCRIPTION

FIG. 1 is a perspective view of a transparent base chair in accordance with the design;
FIG. 2 is a top plan view thereof;
FIG. 3 is a bottom plan view thereof;
FIG. 4 is a left elevational view thereof;
FIG. 5 is a right elevational view thereof; and,
FIG. 6 is a front elevational view thereof.

1 Claim, 3 Drawing Sheets

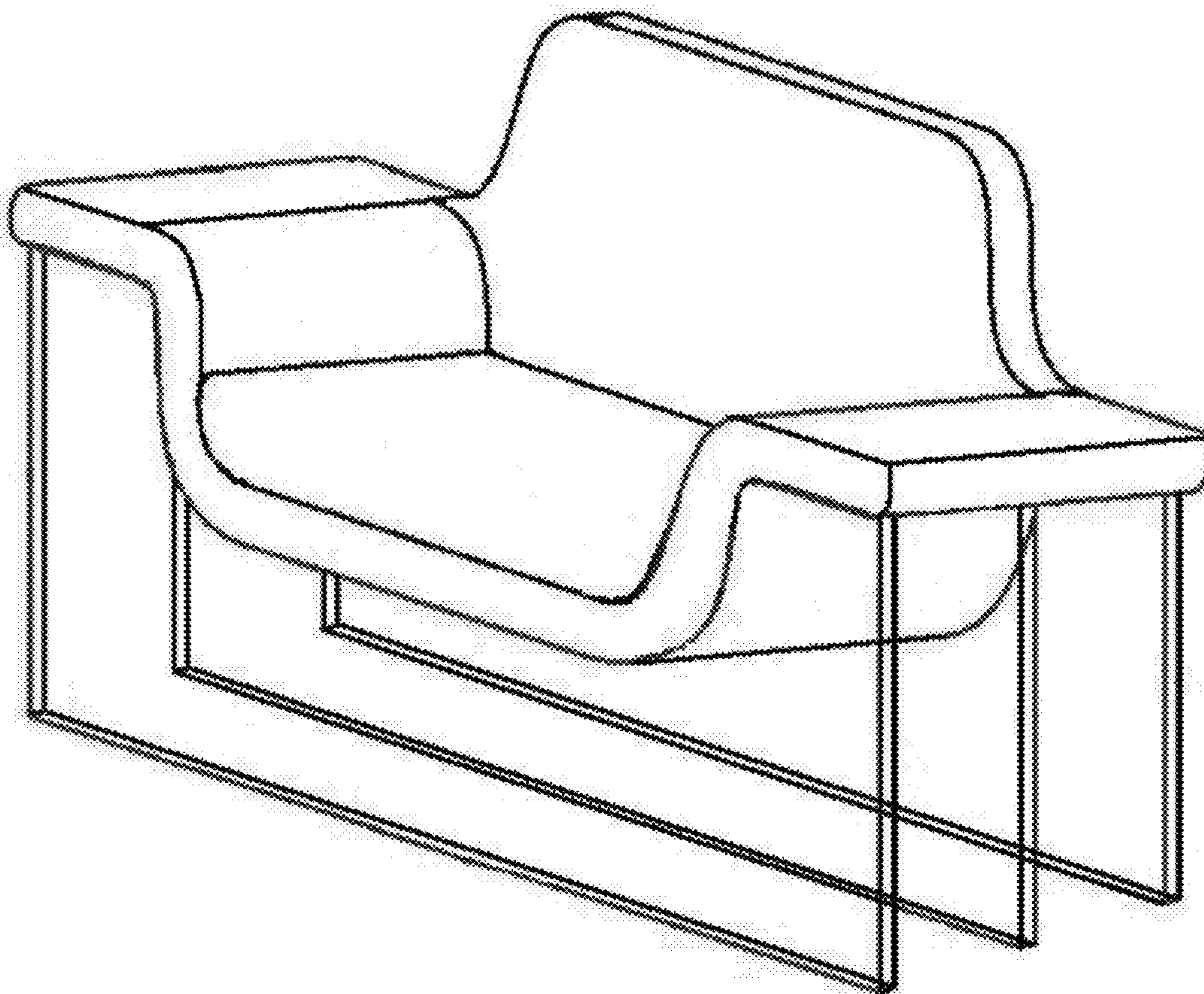


FIGURE 1

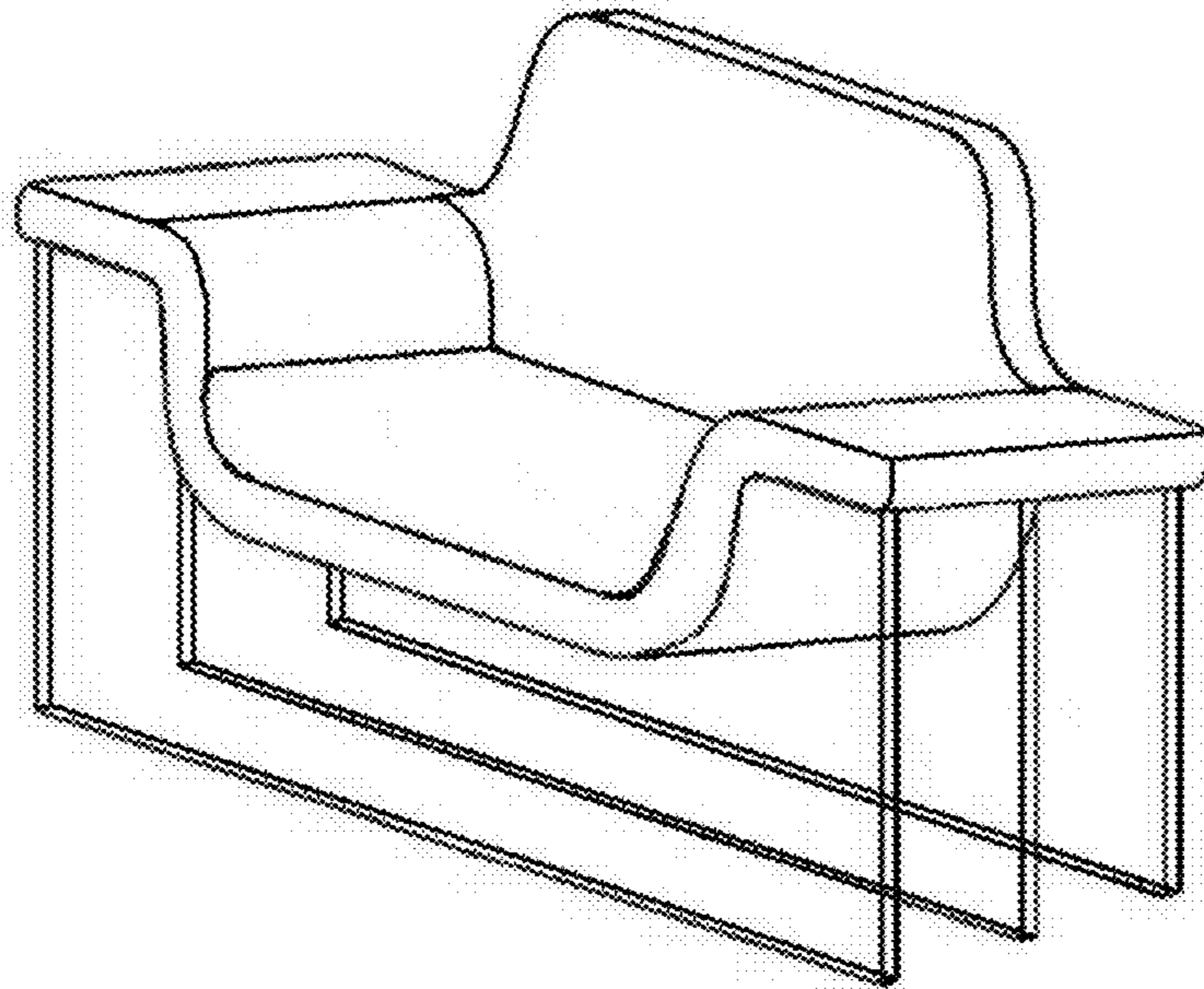


FIGURE 2

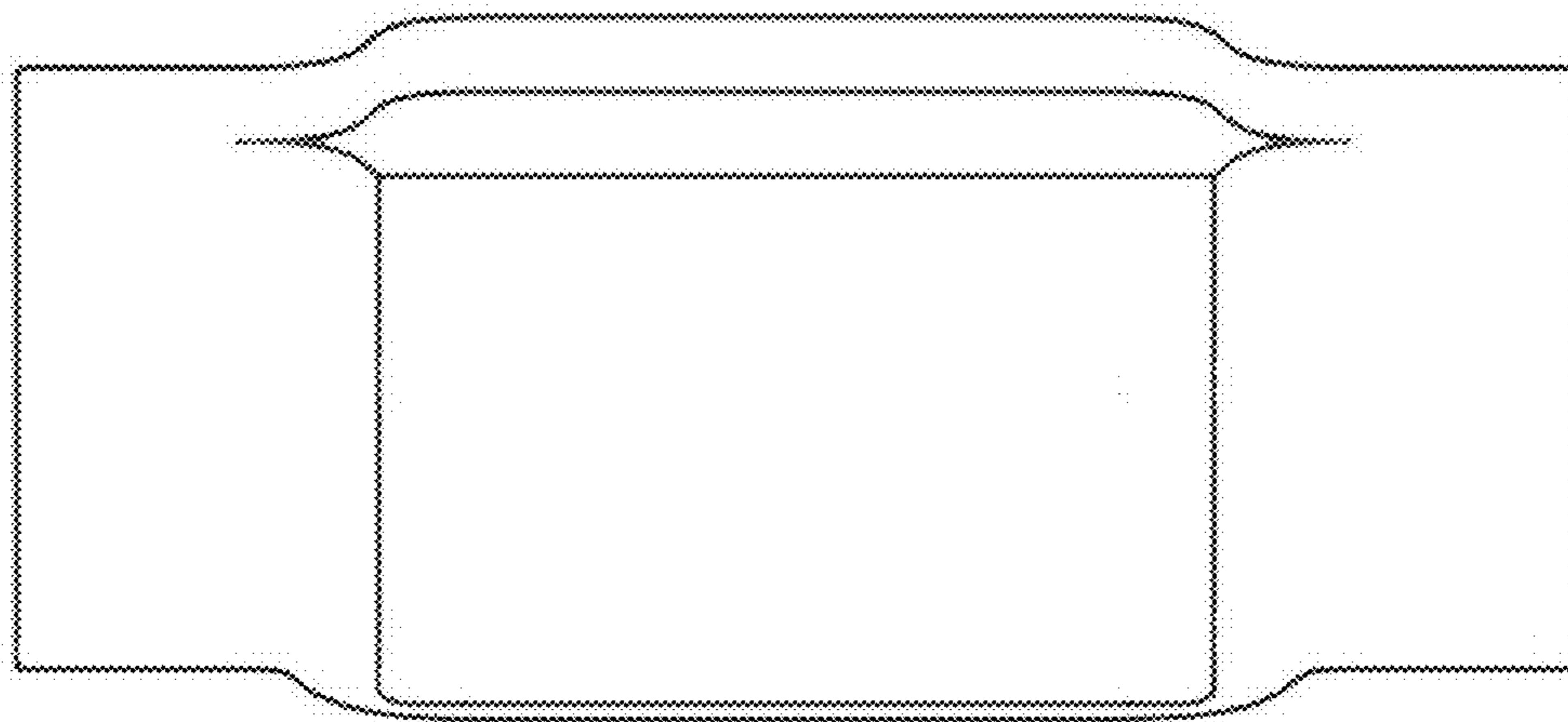


FIGURE 3

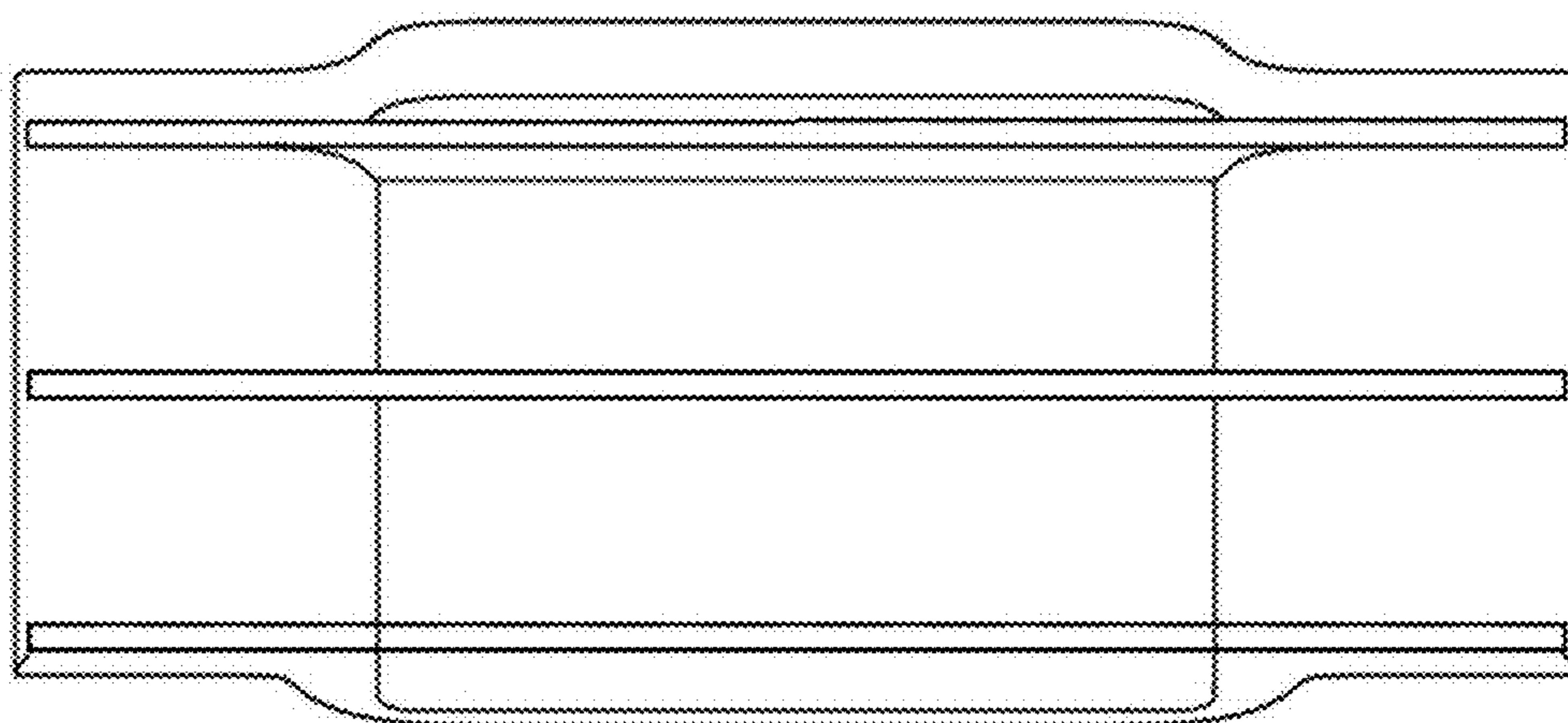


FIGURE 4

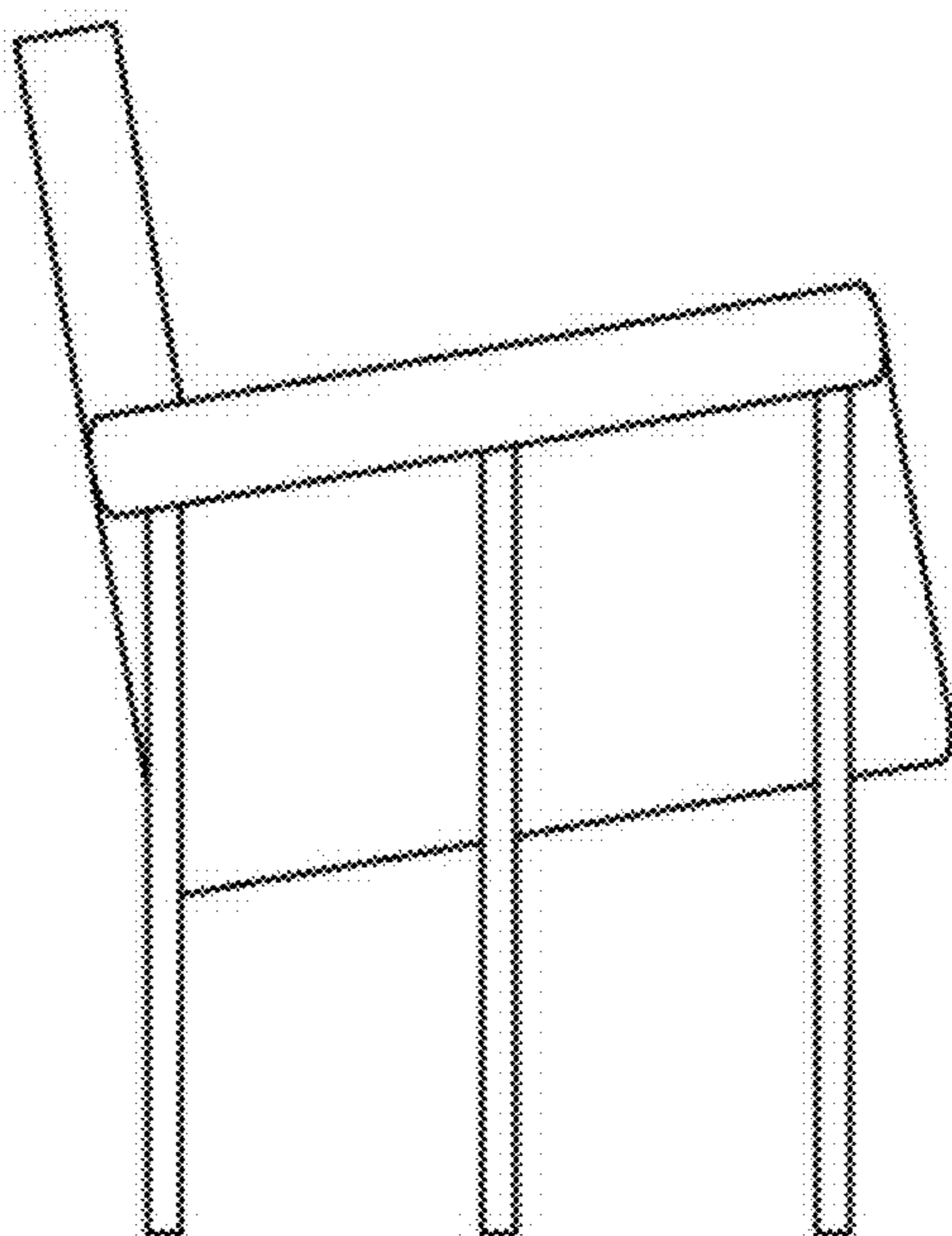


FIGURE 5

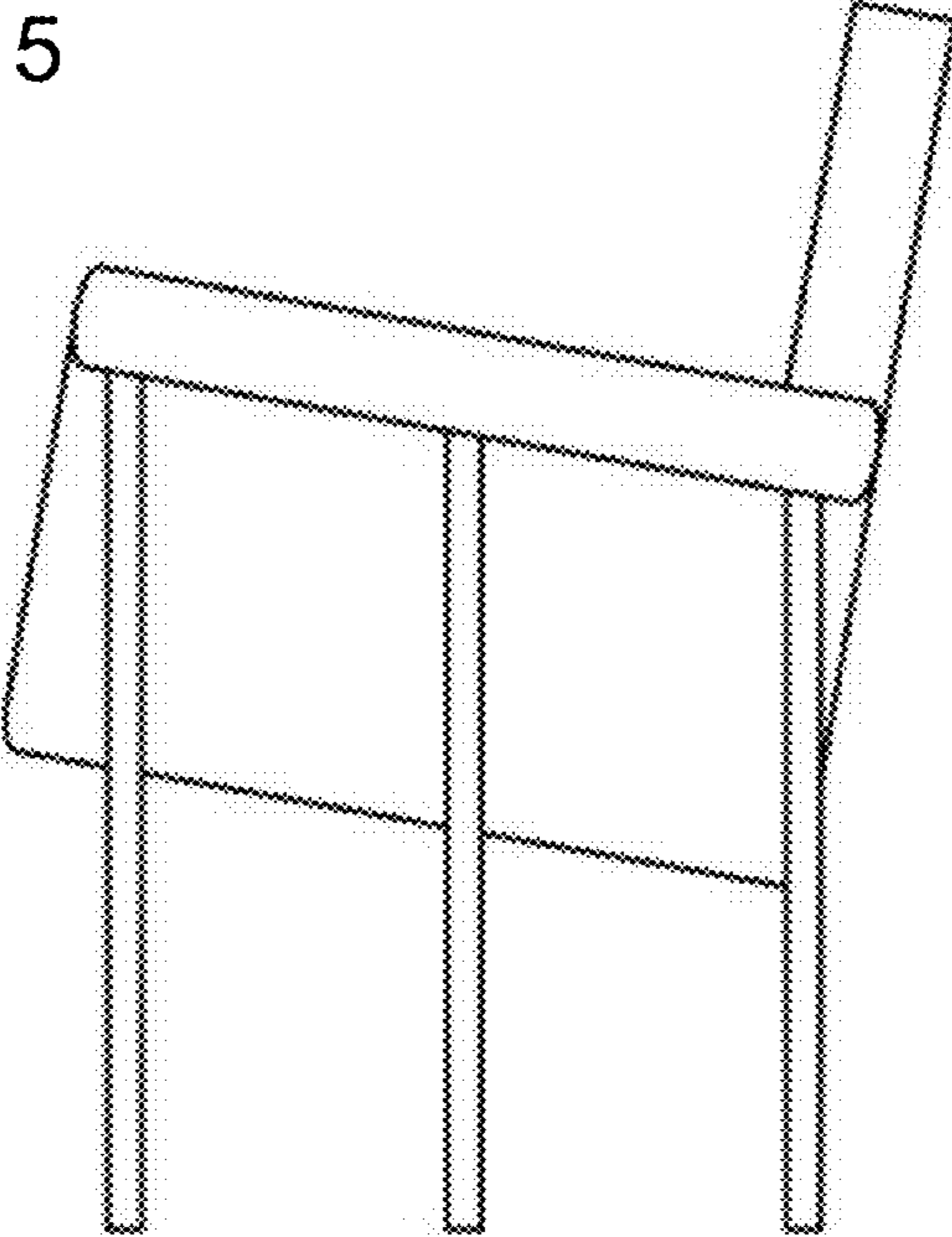


FIGURE 6

