



US00D689293S

(12) **United States Design Patent**
Watton

(10) **Patent No.:** **US D689,293 S**
(45) **Date of Patent:** **** Sep. 10, 2013**

(54) **BENCH**

(76) Inventor: **Jeffrey Watton**, Chippewa Falls, WI
(US)

(**) Term: **14 Years**

(21) Appl. No.: **29/412,303**

(22) Filed: **Feb. 1, 2012**

(51) **LOC (9) Cl.** **06-01**

(52) **U.S. Cl.**
USPC **D6/370**

(58) **Field of Classification Search**

USPC D6/334-336, 344-353, 360-381,
D6/388, 403, 491-502, 692, 708, 716, 716.2-716.4,
D6/717; 297/16.1, 22, 31, 35, 217.1, 228.12,
297/239, 256.16, 271.6, 284.4-284.5, 291,
297/297, 302.4, 411.2, 411.27-411.29, 411.43,
297/423.1, 423.12, 440.11, 440.15, 440.24,
297/448.1, 451.4, 452.13, 452.19, 452.21,
297/452.27, 452.29, 452.3, 452.41, 452.56,
297/452.64

See application file for complete search history.

(56) **References Cited**

U.S. PATENT DOCUMENTS

D376,271 S * 12/1996 Skalka D6/370
D376,937 S * 12/1996 Skalka D6/492

(Continued)

Primary Examiner — Ricky Pham

(74) *Attorney, Agent, or Firm* — Anthony J Bourget

(57) **CLAIM**

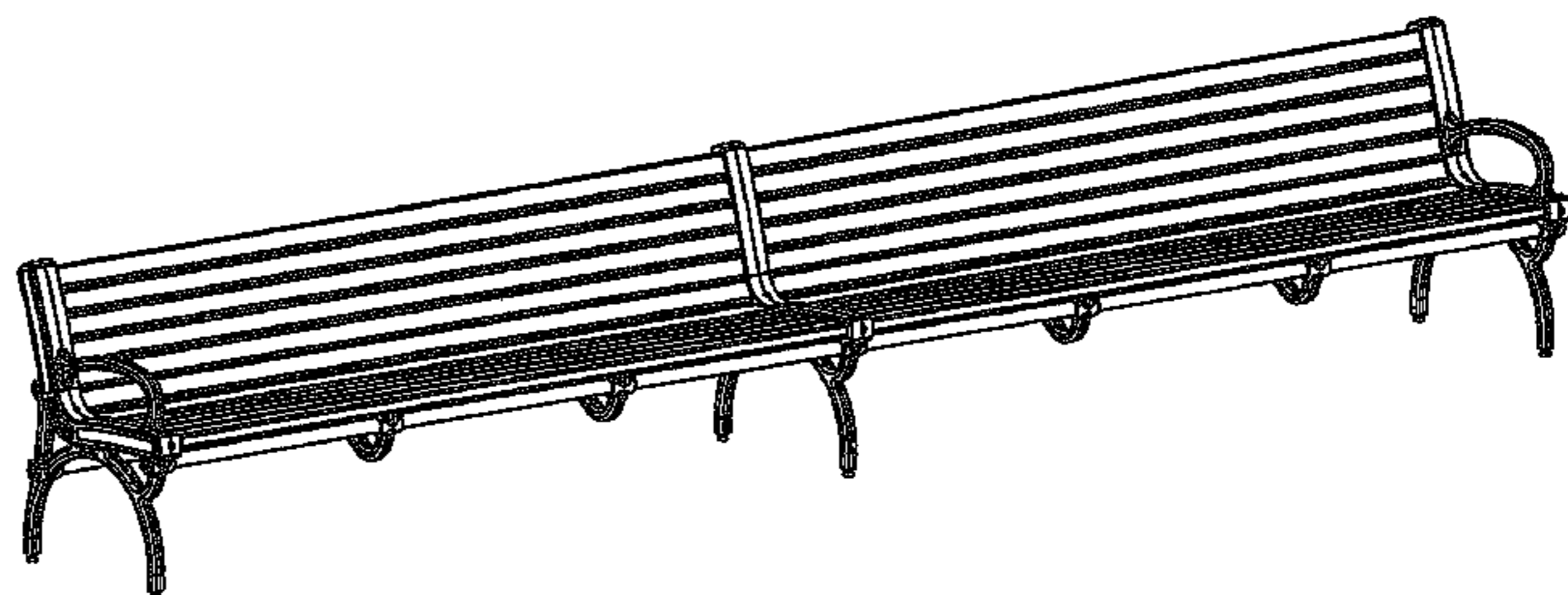
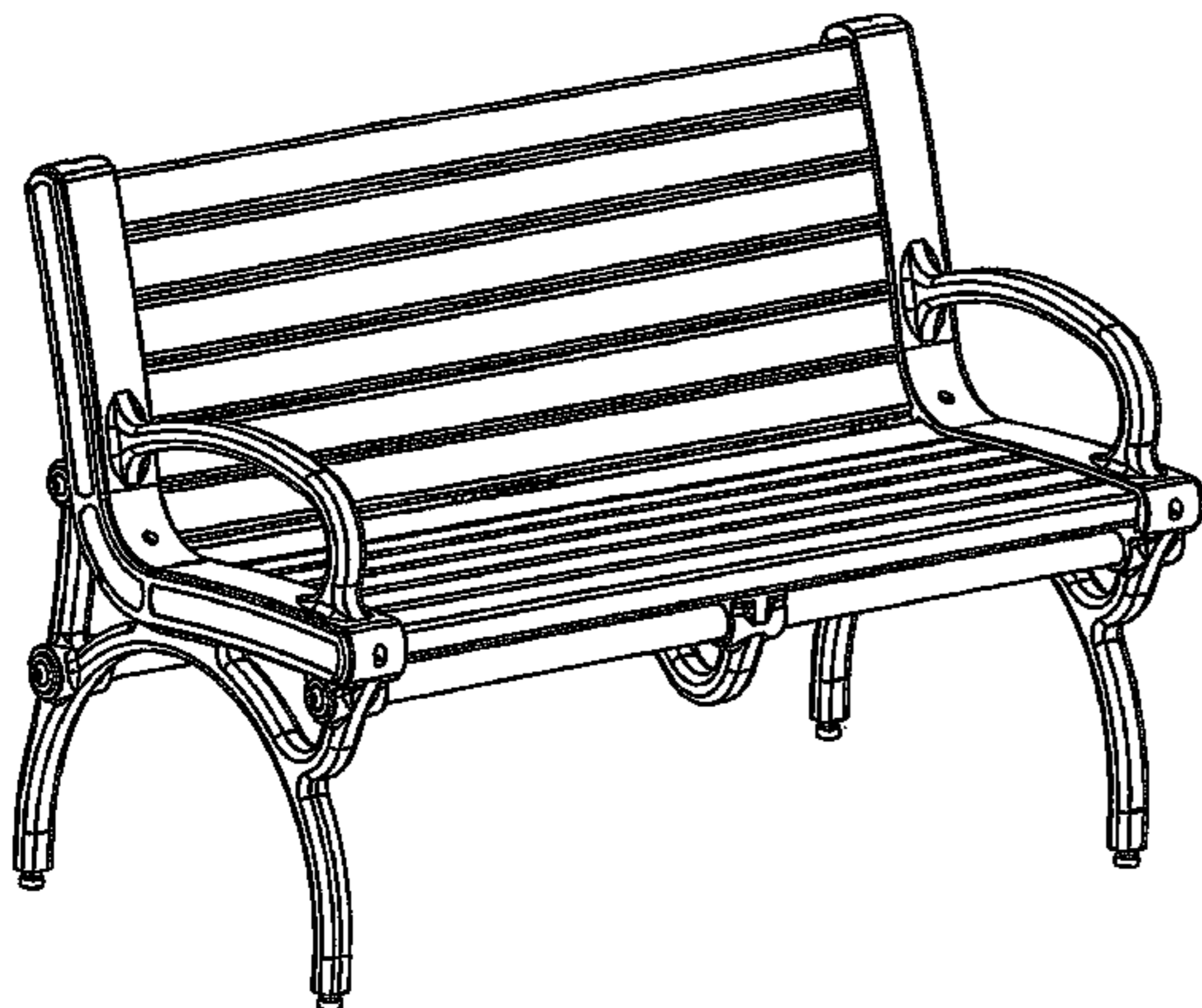
The ornamental design for a bench, as shown and described.

DESCRIPTION

FIG. 1 is a perspective view of my new design of a bench;
FIG. 2 is a rear perspective view of the bench of FIG. 1;

FIG. 3 is a right side elevational view of the bench of FIG. 1,
the left side view being a mirror image thereof;
FIG. 4 is a top plan view of the bench of FIG. 1;
FIG. 5 is a bottom plan view of the bench of FIG. 1;
FIG. 6 is a front elevational view of the bench of FIG. 1;
FIG. 7 is a back elevational view of the bench of FIG. 1;
FIG. 8 is a perspective view of a bench having an alternate
inventive design and the broken lines are included to indicate
indeterminate dimension;
FIG. 9 is a rear perspective view of the bench of FIG. 8;
FIG. 10 is a right side elevational view of the bench of FIG. 8,
the left side view being a mirror image thereof;
FIG. 11 is a top plan view of the bench of FIG. 8;
FIG. 12 is a bottom plan view of the bench of FIG. 8;
FIG. 13 is a front elevational view of the bench of FIG. 8;
FIG. 14 is a back elevational view of the bench of FIG. 8;
FIG. 15 is a perspective view of a bench having an alternate
inventive design;
FIG. 16 is a rear perspective view of the bench of FIG. 15;
FIG. 17 is a right side elevational view of the bench of FIG.
15, the left side view being a mirror image thereof;
FIG. 18 is a top plan view of the bench of FIG. 15;
FIG. 19 is a bottom plan view of the bench of FIG. 15;
FIG. 20 is a front elevational view of the bench of FIG. 15;
FIG. 21 is a back elevational view of the bench of FIG. 15;
FIG. 22 is a perspective view of a bench having an alternate
inventive design and the broken lines are included to indicate
indeterminate dimension;
FIG. 23 is a rear perspective view of the bench of FIG. 22;
FIG. 24 is a right side elevational view of the bench of FIG.
22, the left side view being a mirror image thereof;
FIG. 25 is a top plan view of the bench of FIG. 22;
FIG. 26 is a bottom plan view of the bench of FIG. 22;
FIG. 27 is a front elevational view of the bench of FIG. 22;
and,
FIG. 28 is a back elevational view of the bench of FIG. 22.
The broken lines are included to indicate indeterminate
dimension.

1 Claim, 28 Drawing Sheets



(56)

References Cited

U.S. PATENT DOCUMENTS

D383,615 S * 9/1997 Skalka D6/370
D384,512 S * 10/1997 Skalka D6/370
D386,012 S * 11/1997 Skalka D6/370
D408,660 S * 4/1999 Donnelly D6/500
D419,341 S * 1/2000 Chipman D6/492
D458,475 S * 6/2002 Hecht et al. D6/492
D467,101 S * 12/2002 Hughes D6/495
D468,126 S * 1/2003 Pappas D6/381
D498,079 S 11/2004 Messier
D523,263 S 6/2006 Skalka
D526,514 S * 8/2006 Hughes D6/492
D526,805 S 8/2006 Skalka
D528,831 S * 9/2006 Rizzi D6/500

D530,535 S * 10/2006 Skalka D6/366
D532,620 S * 11/2006 Skalka D6/366
D563,689 S * 3/2008 Skalka D6/381
D564,802 S * 3/2008 Weimer et al. D6/492
D578,808 S * 10/2008 Pappas D6/495
D579,685 S * 11/2008 Skalka D6/381
D585,210 S * 1/2009 Rizzi D6/381
D585,211 S * 1/2009 Rizzi D6/381
D585,220 S * 1/2009 Skalka D6/492
D590,621 S * 4/2009 Pappas D6/381
D601,823 S * 10/2009 Skalka D6/381
D607,229 S * 1/2010 Skalka D6/381
D609,933 S * 2/2010 Skalka D6/381
D629,233 S * 12/2010 Slear et al. D6/492

* cited by examiner

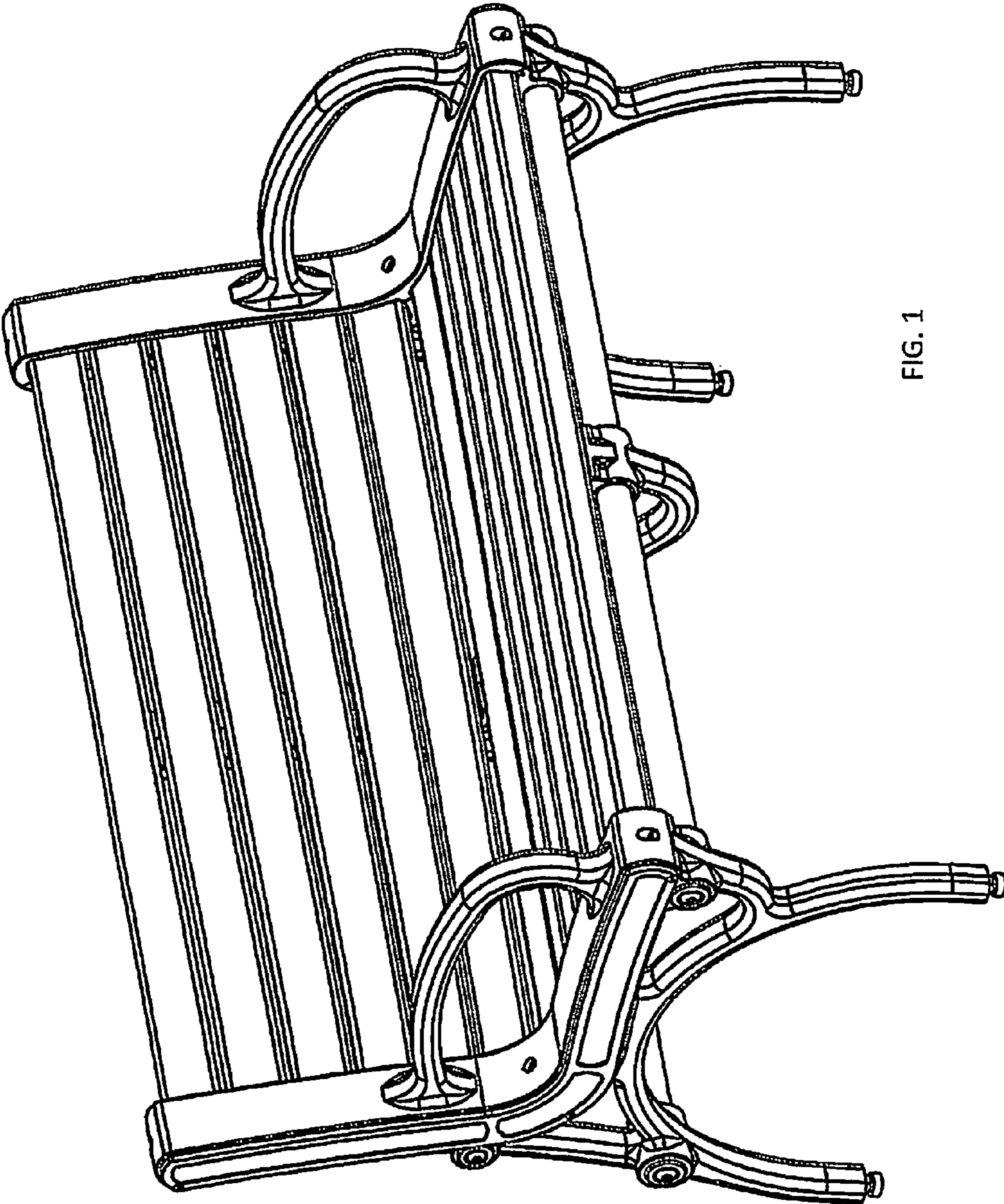


FIG. 1

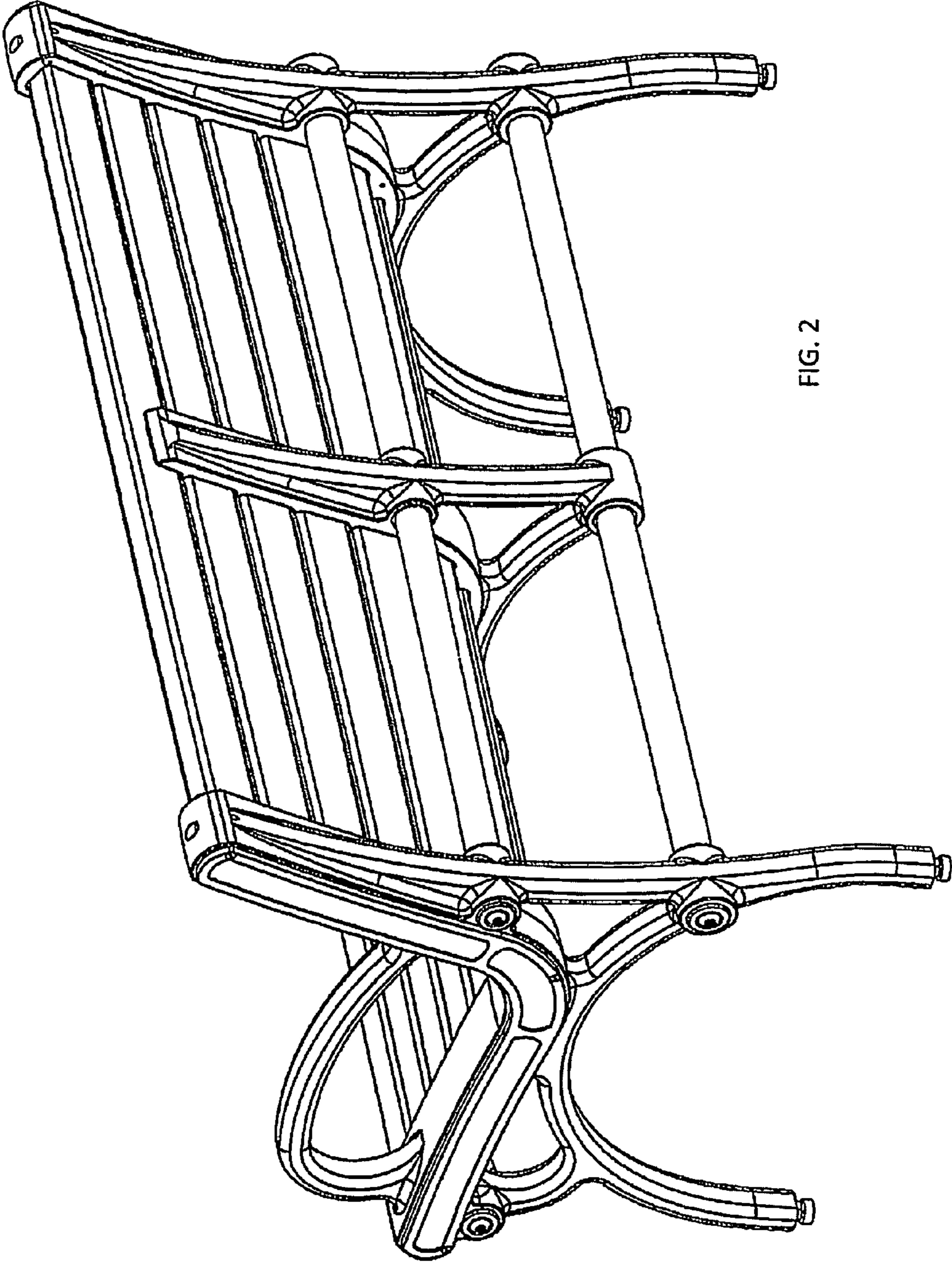
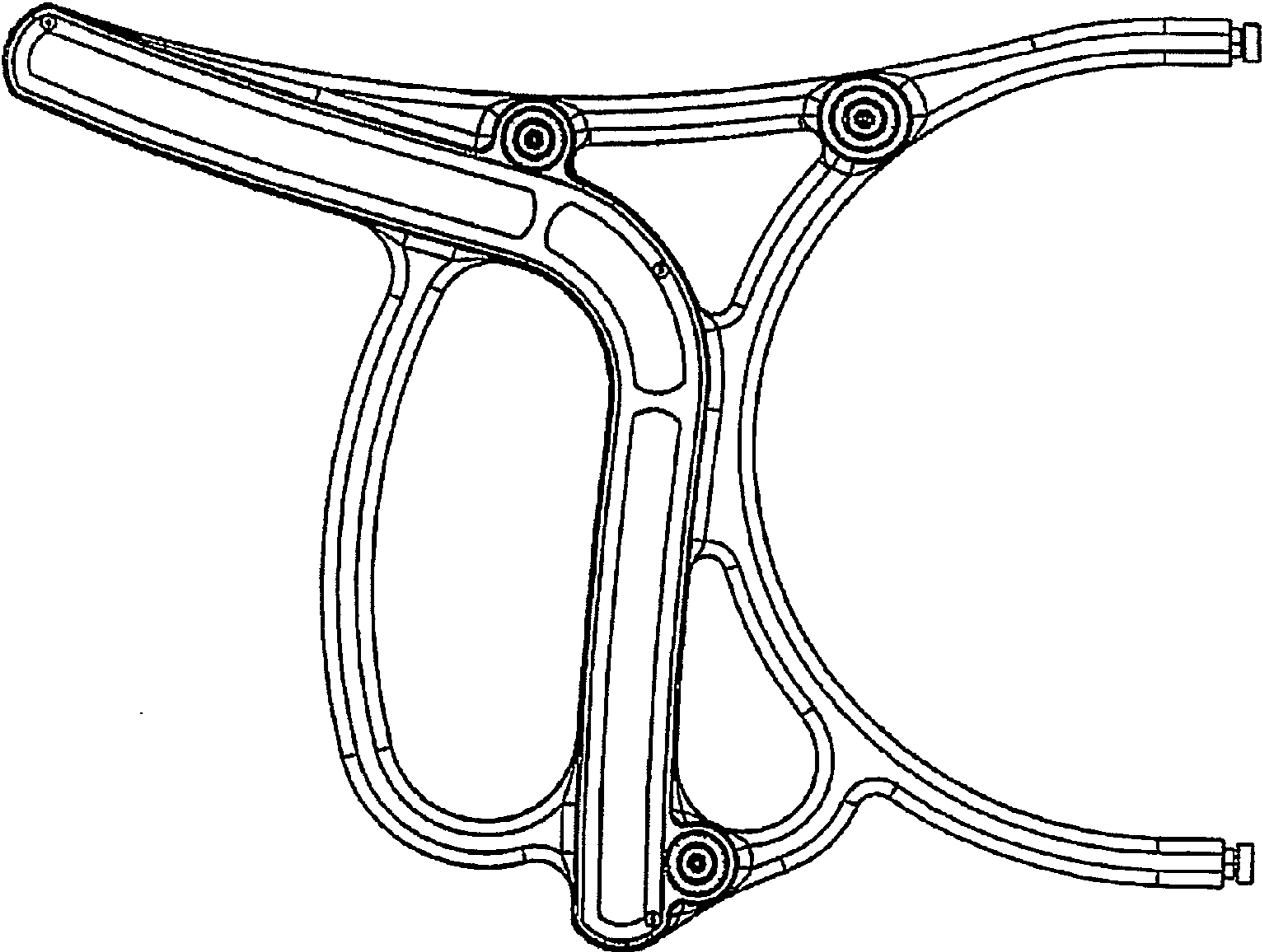


FIG. 2

FIG. 3



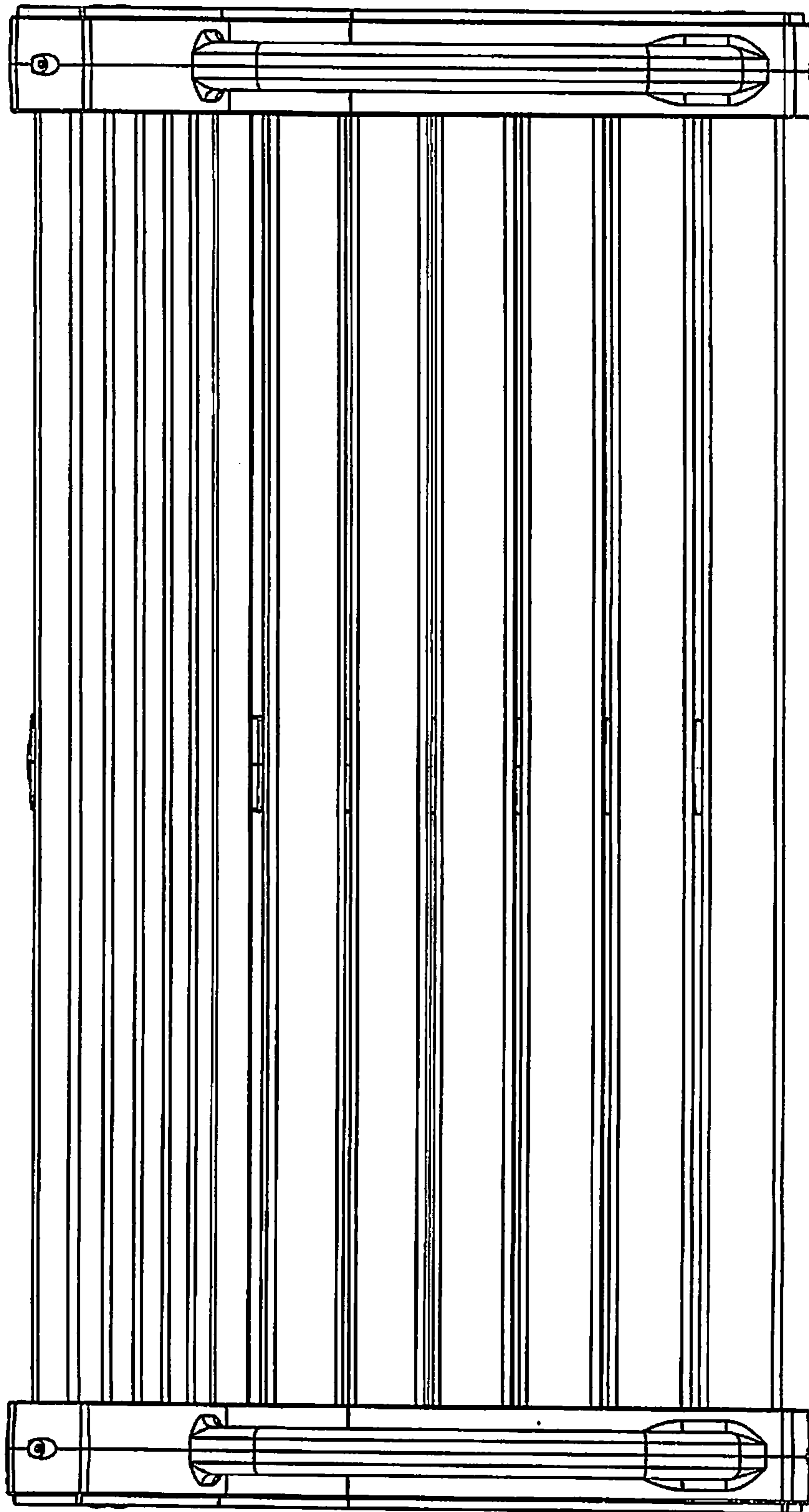


FIG. 4

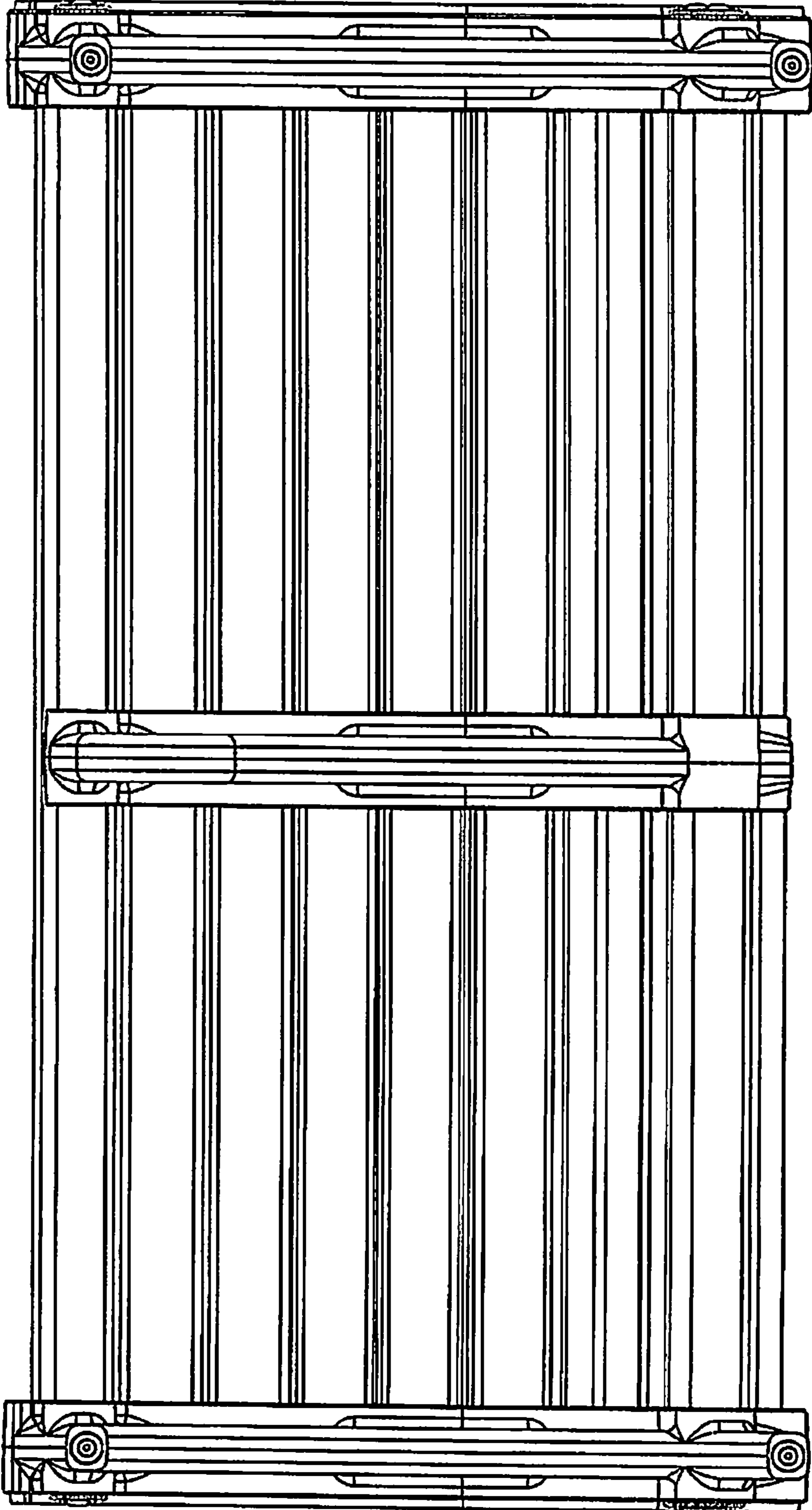


FIG. 5

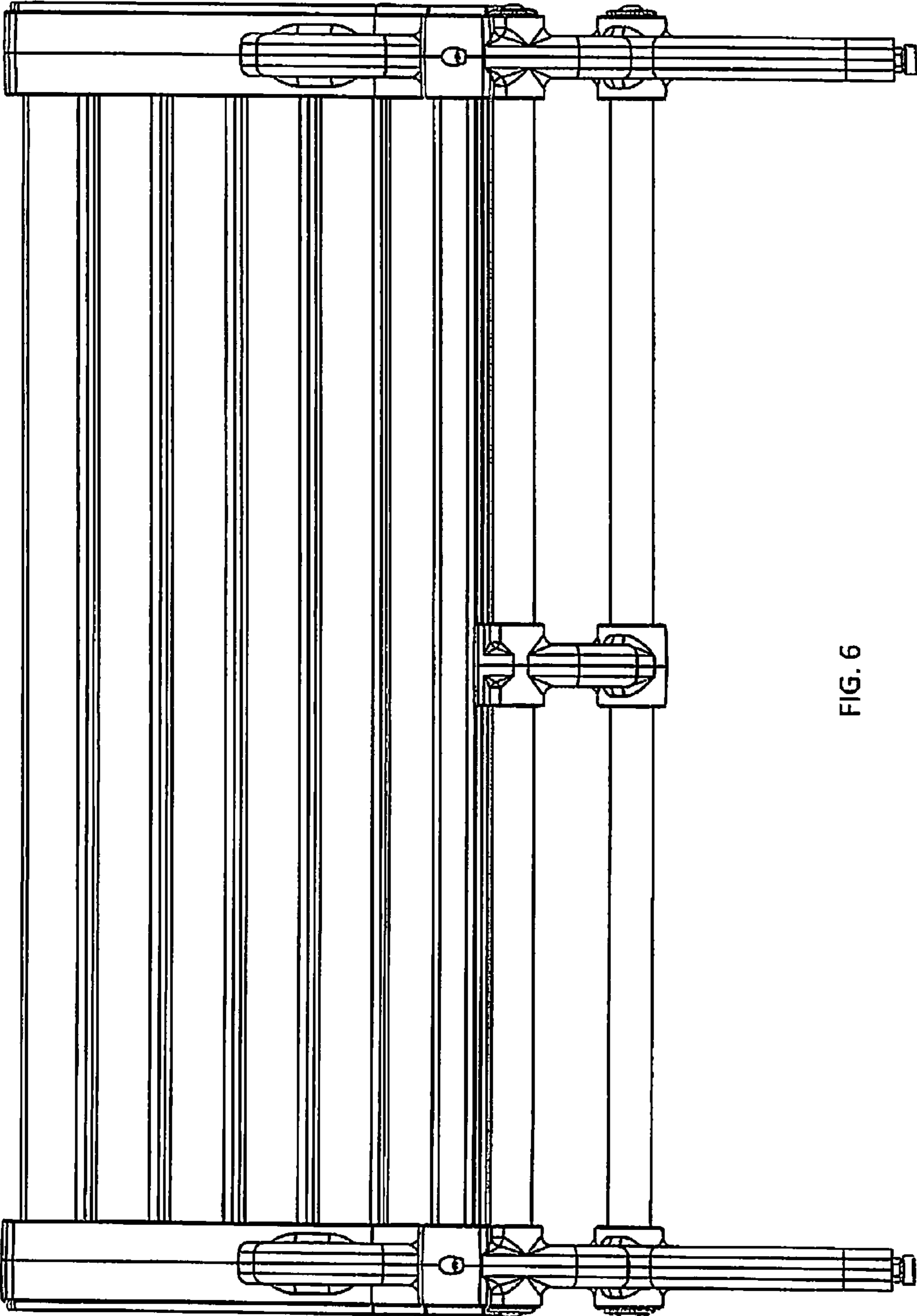


FIG. 6

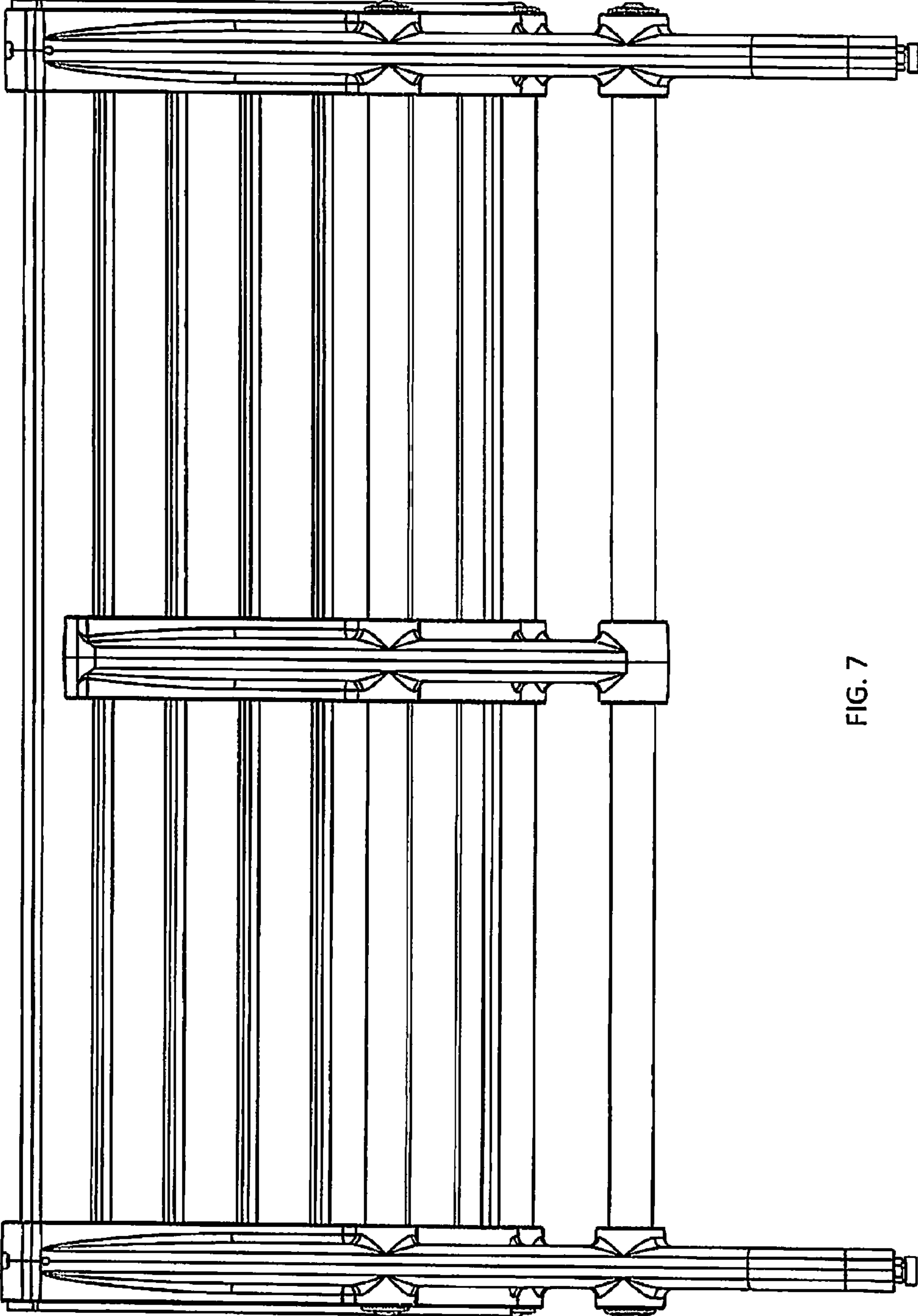


FIG. 7

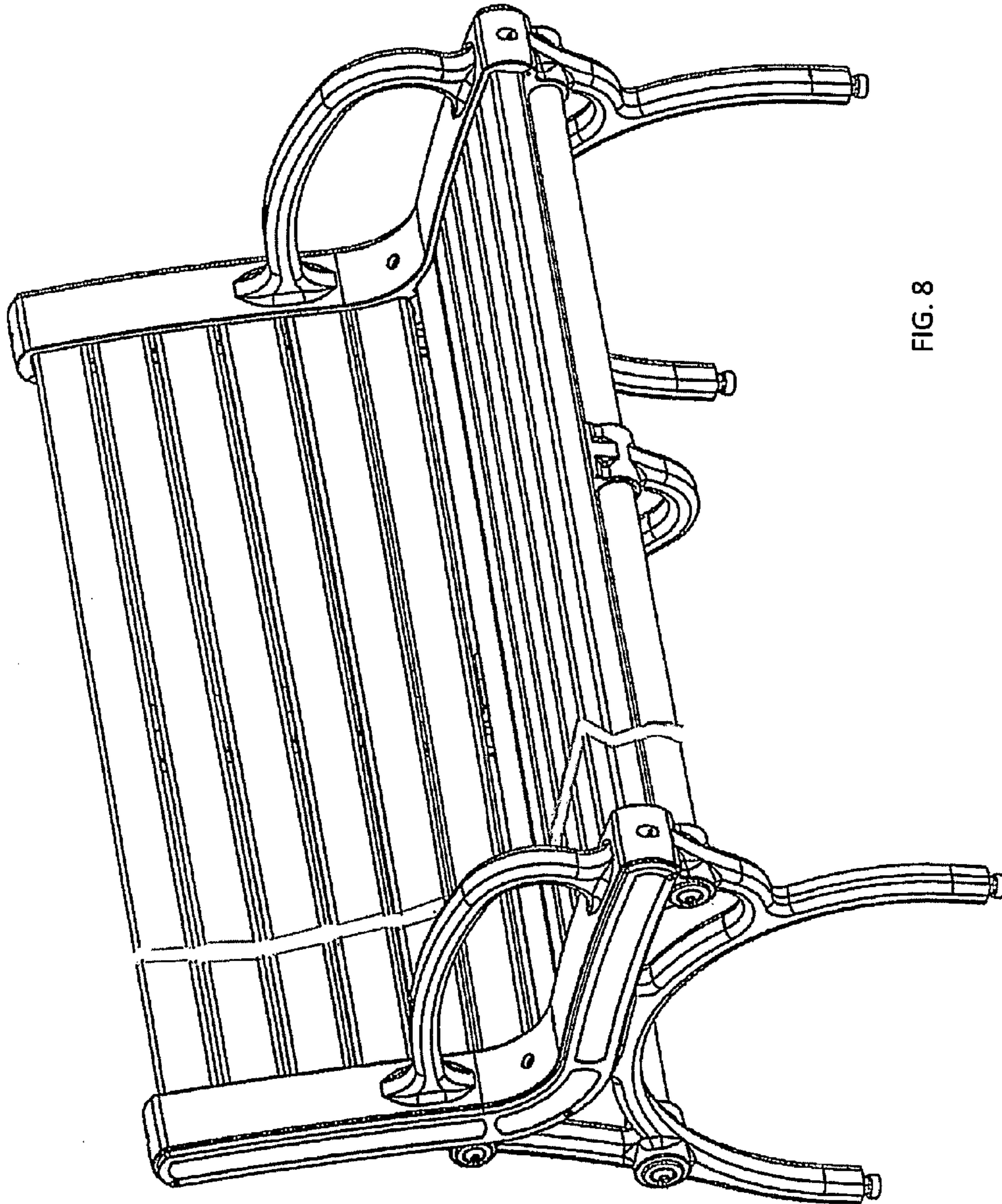


FIG. 8

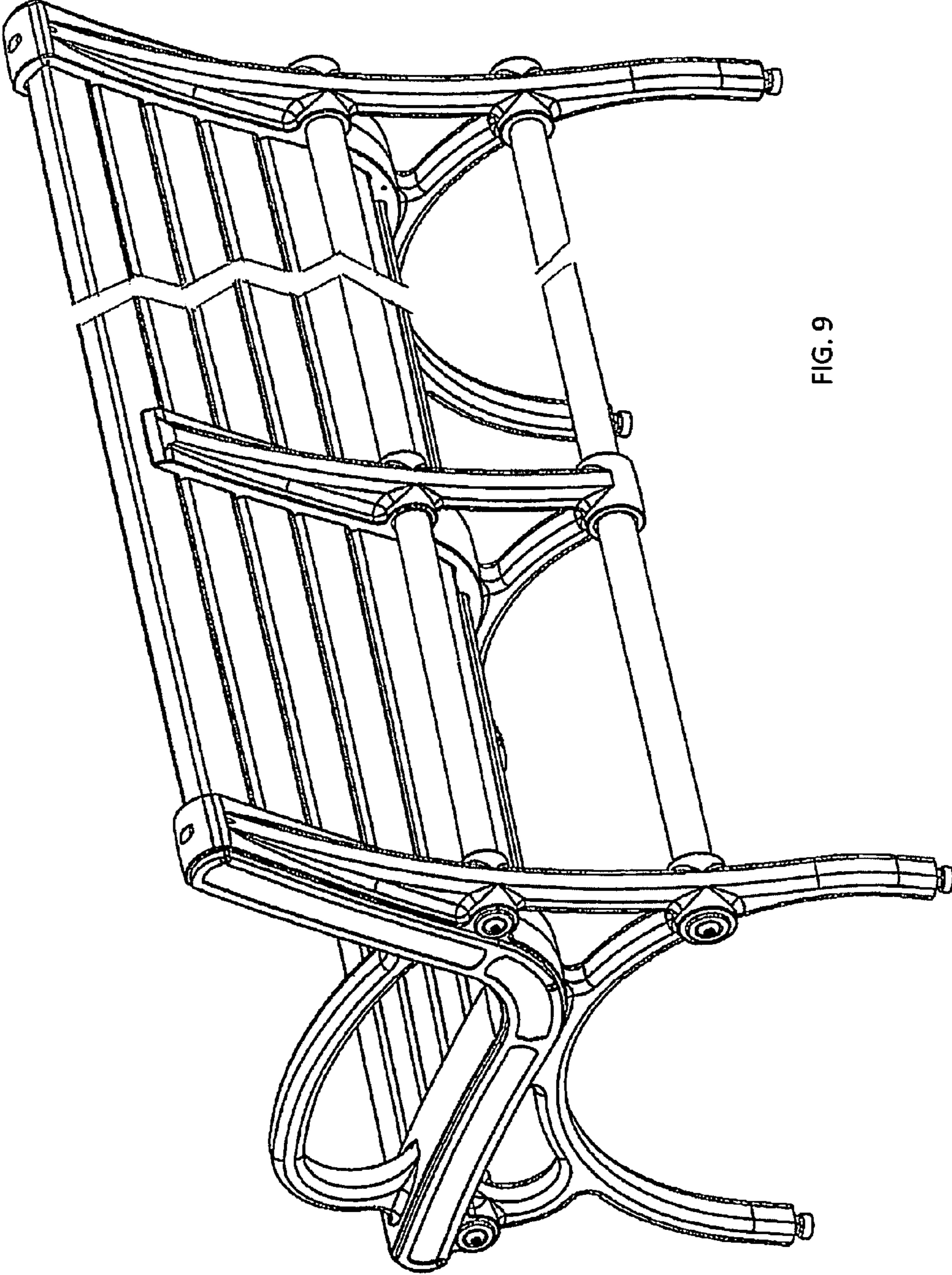


FIG. 9

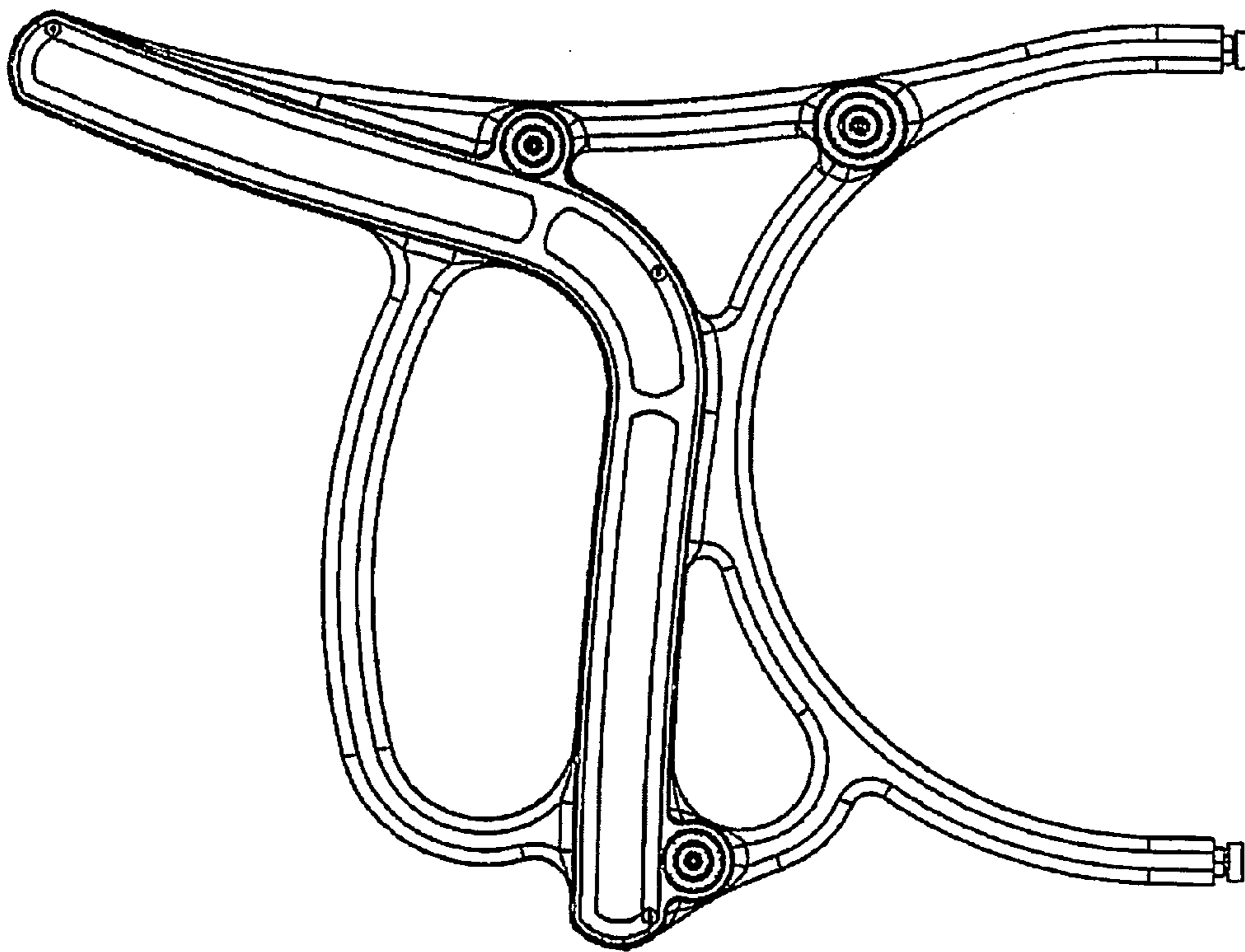


FIG. 10

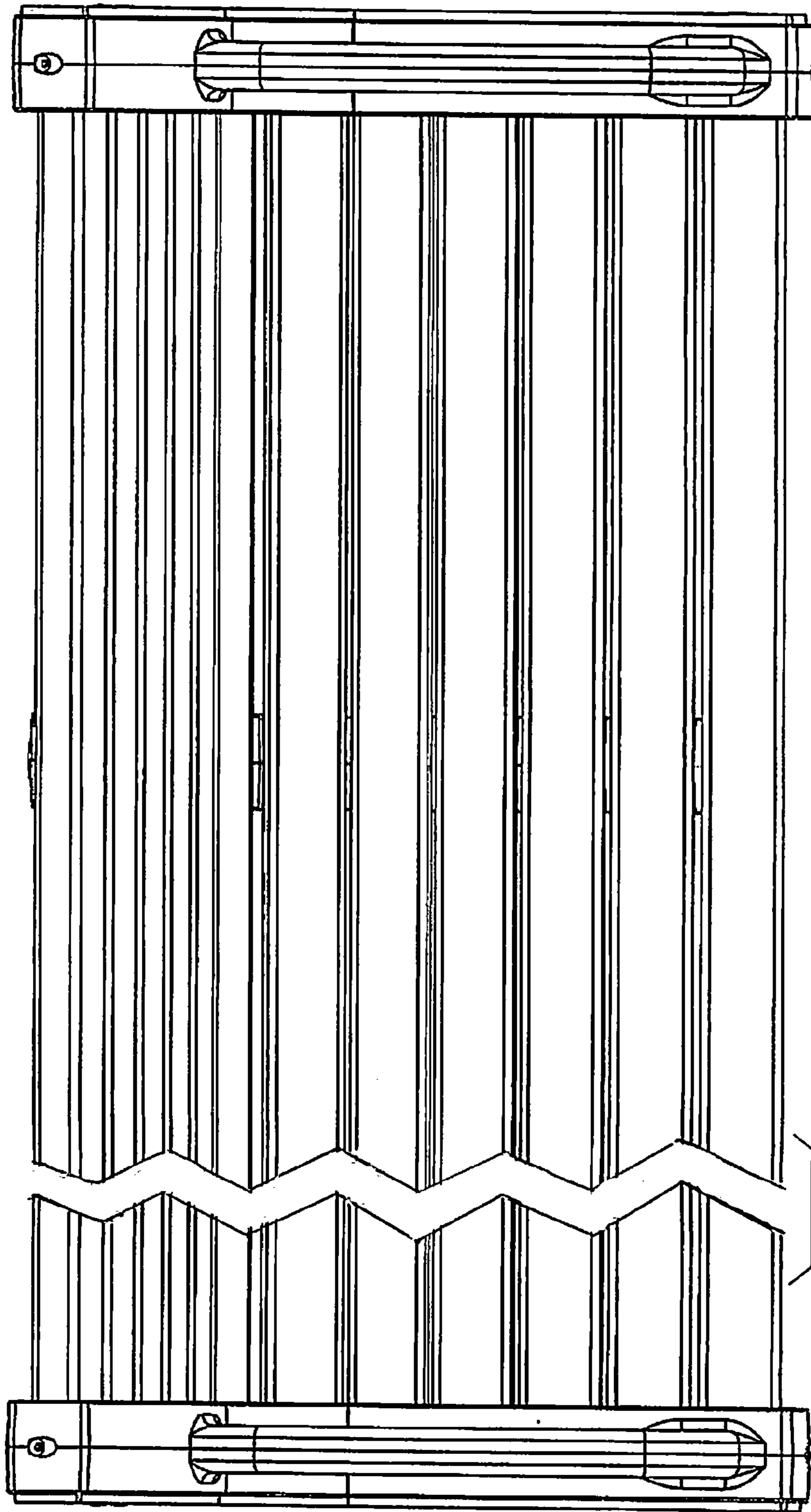


FIG. 11

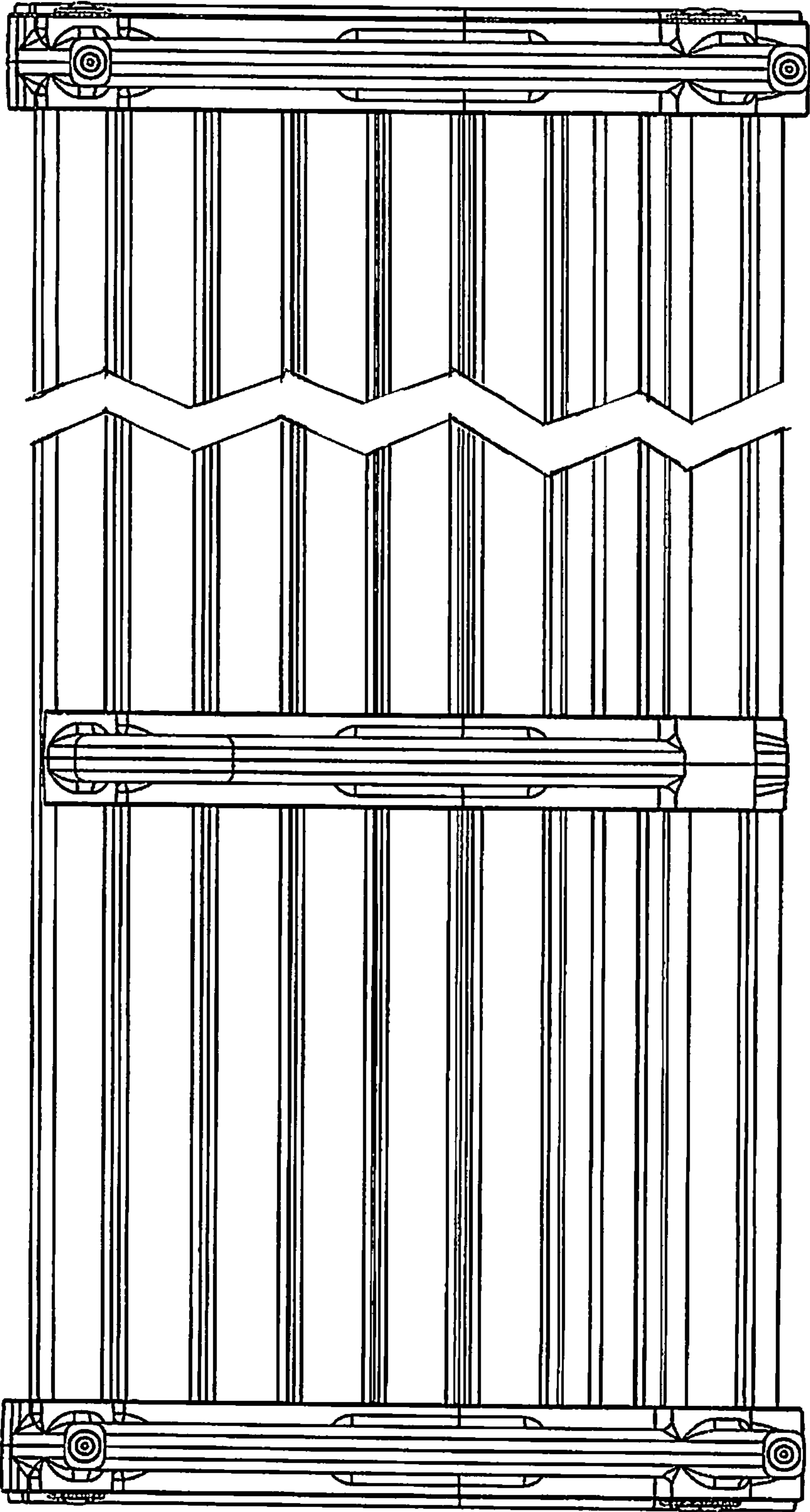


FIG. 12

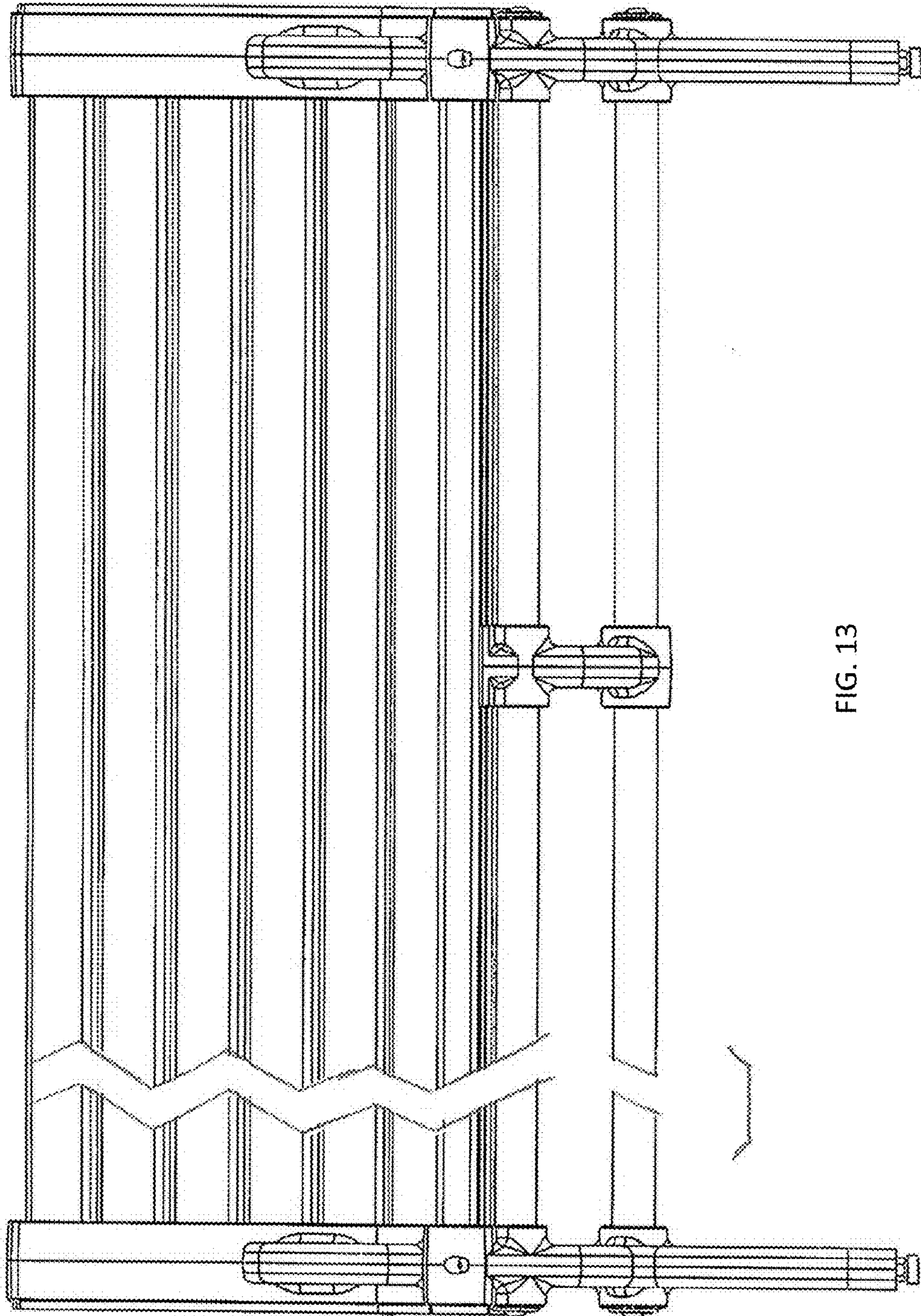


FIG. 13

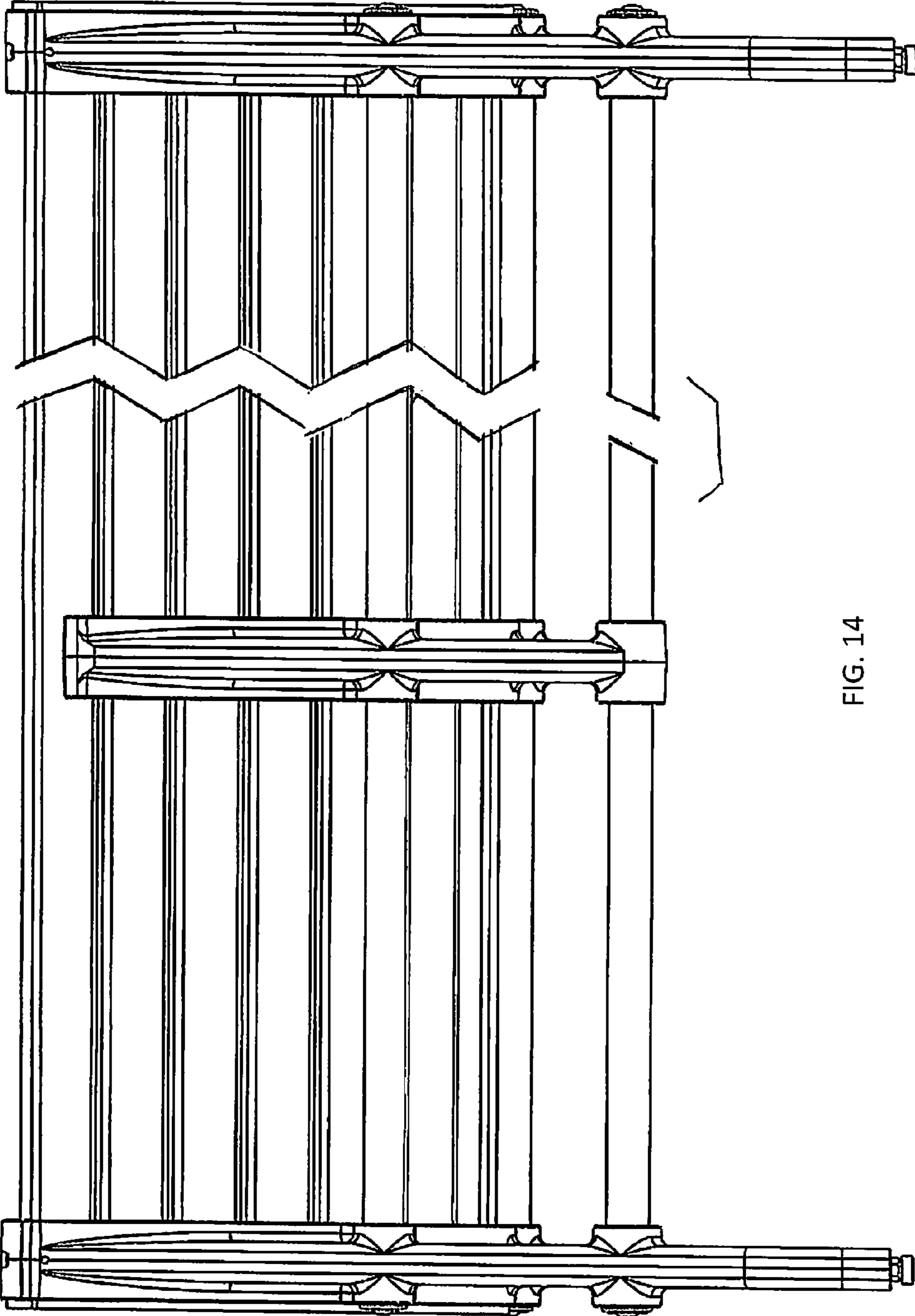


FIG. 14

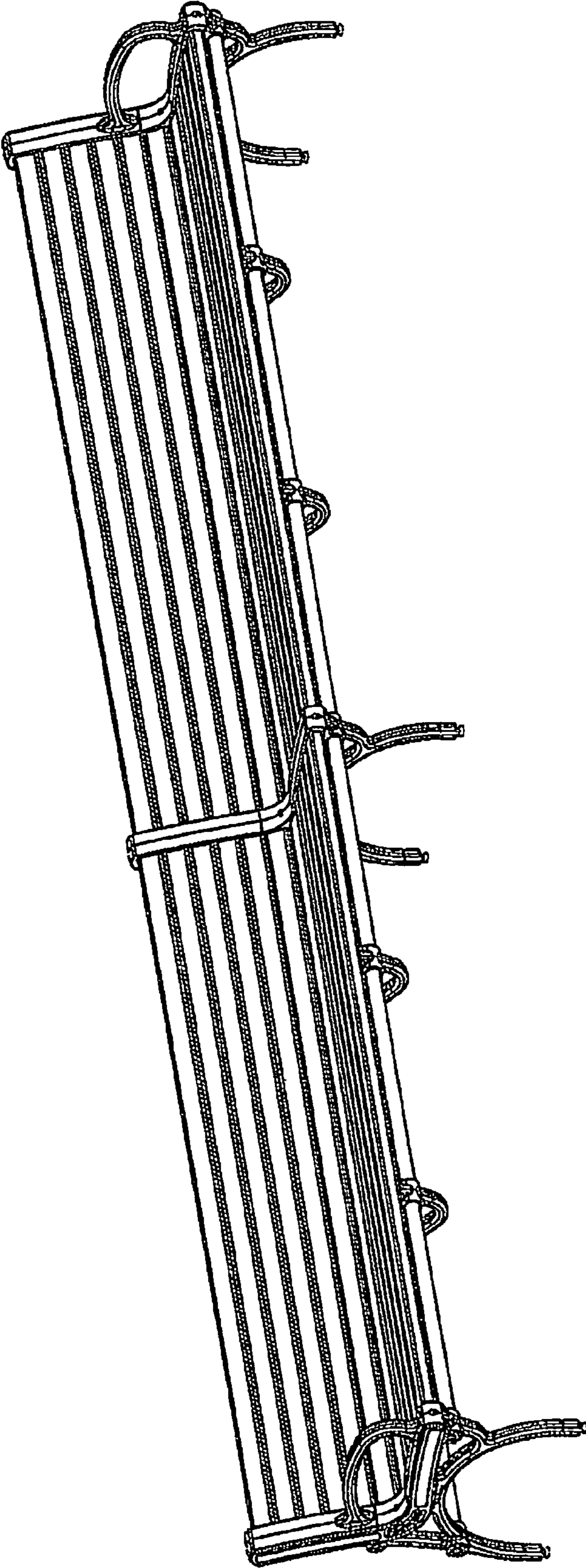


FIG. 15

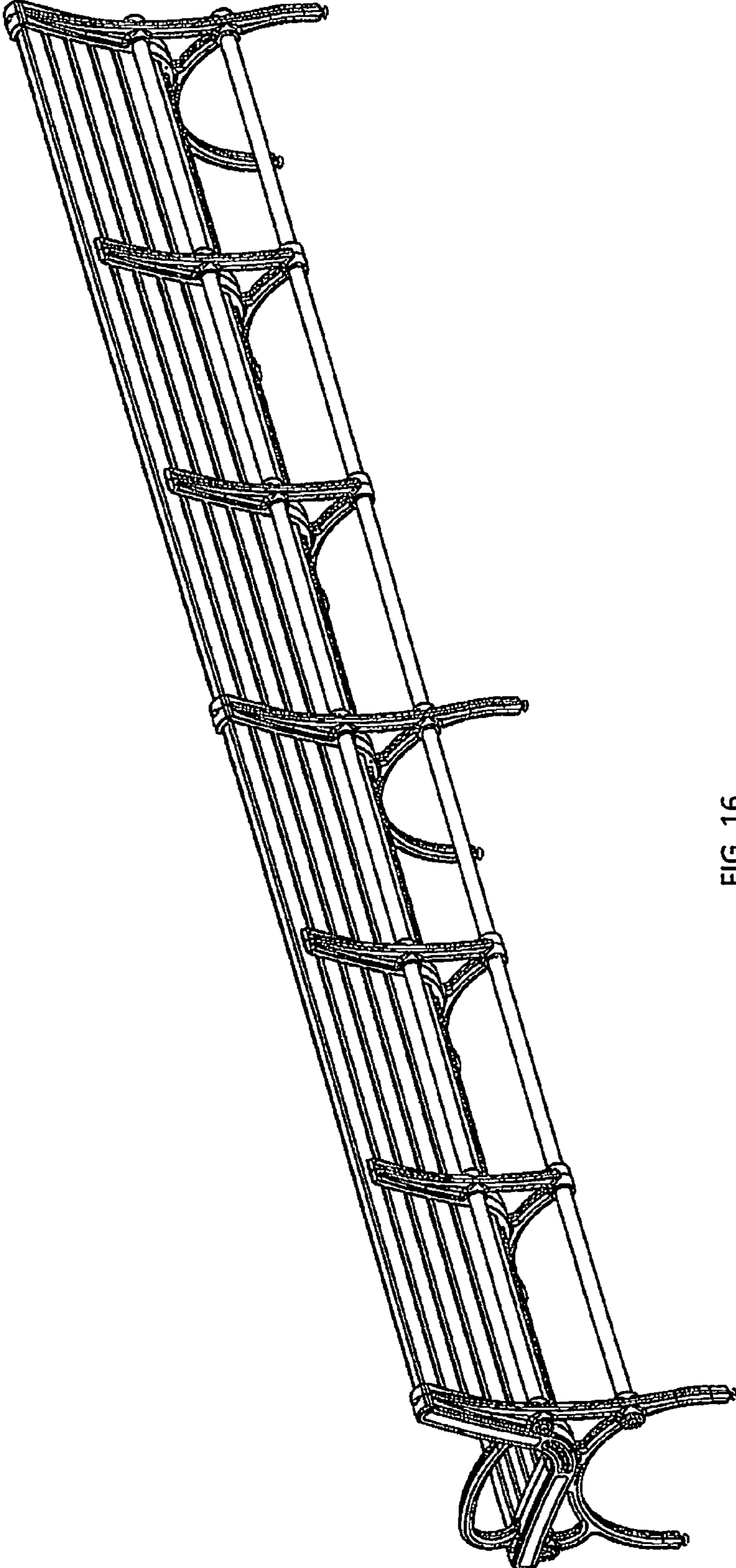
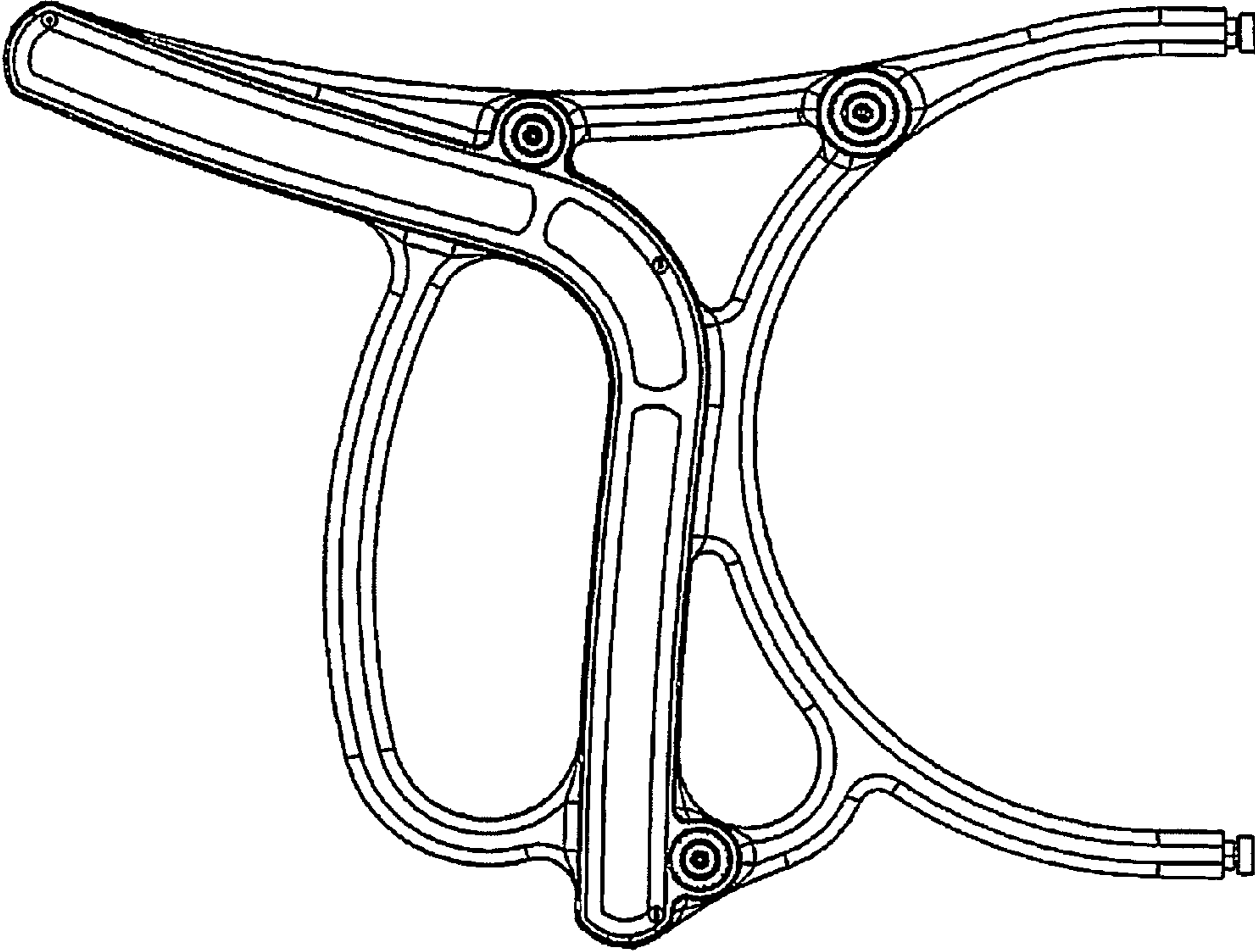


FIG. 16

FIG. 17



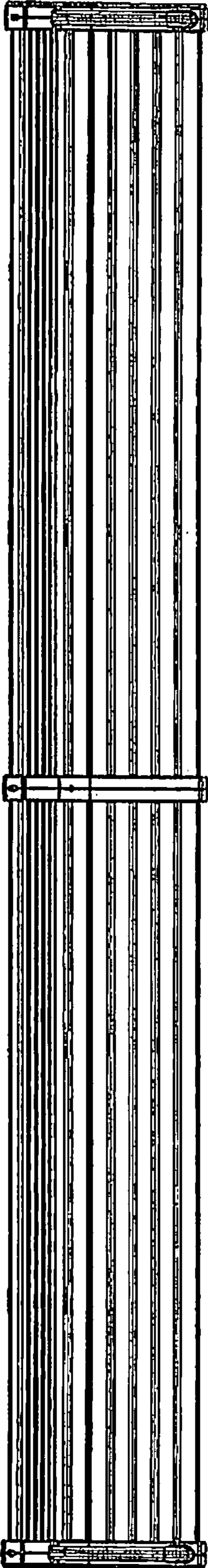


FIG. 18

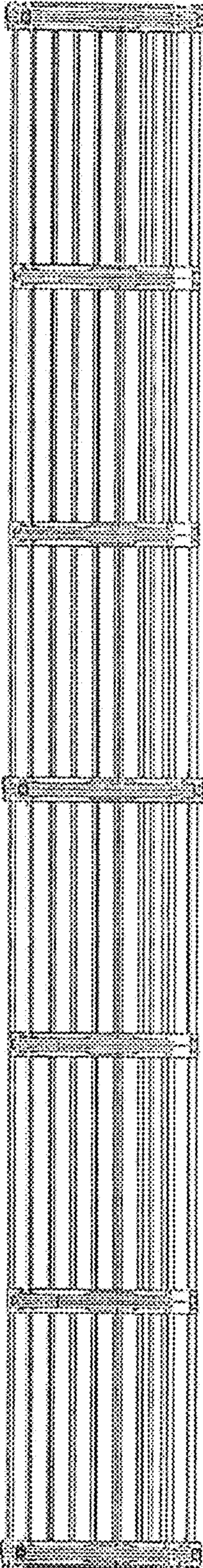


FIG. 19

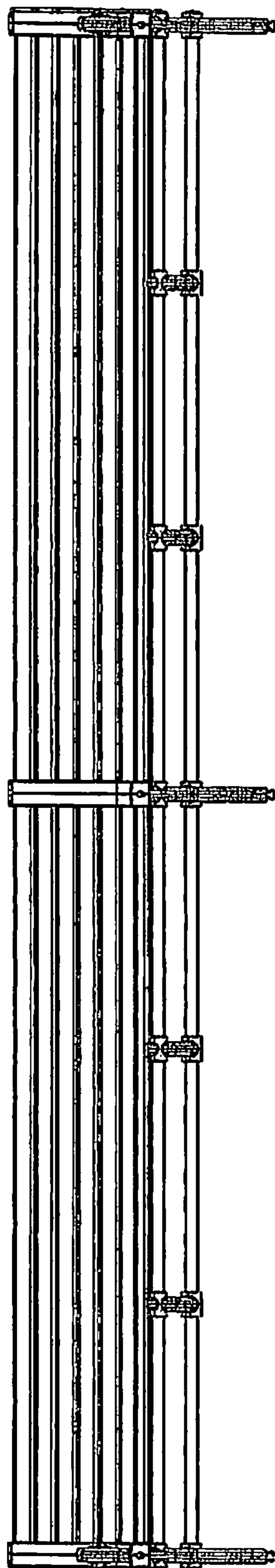


FIG. 20

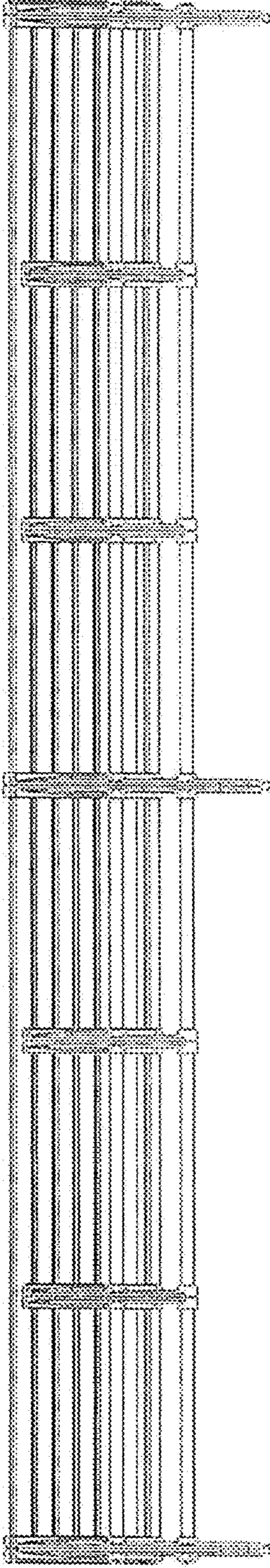


FIG. 21

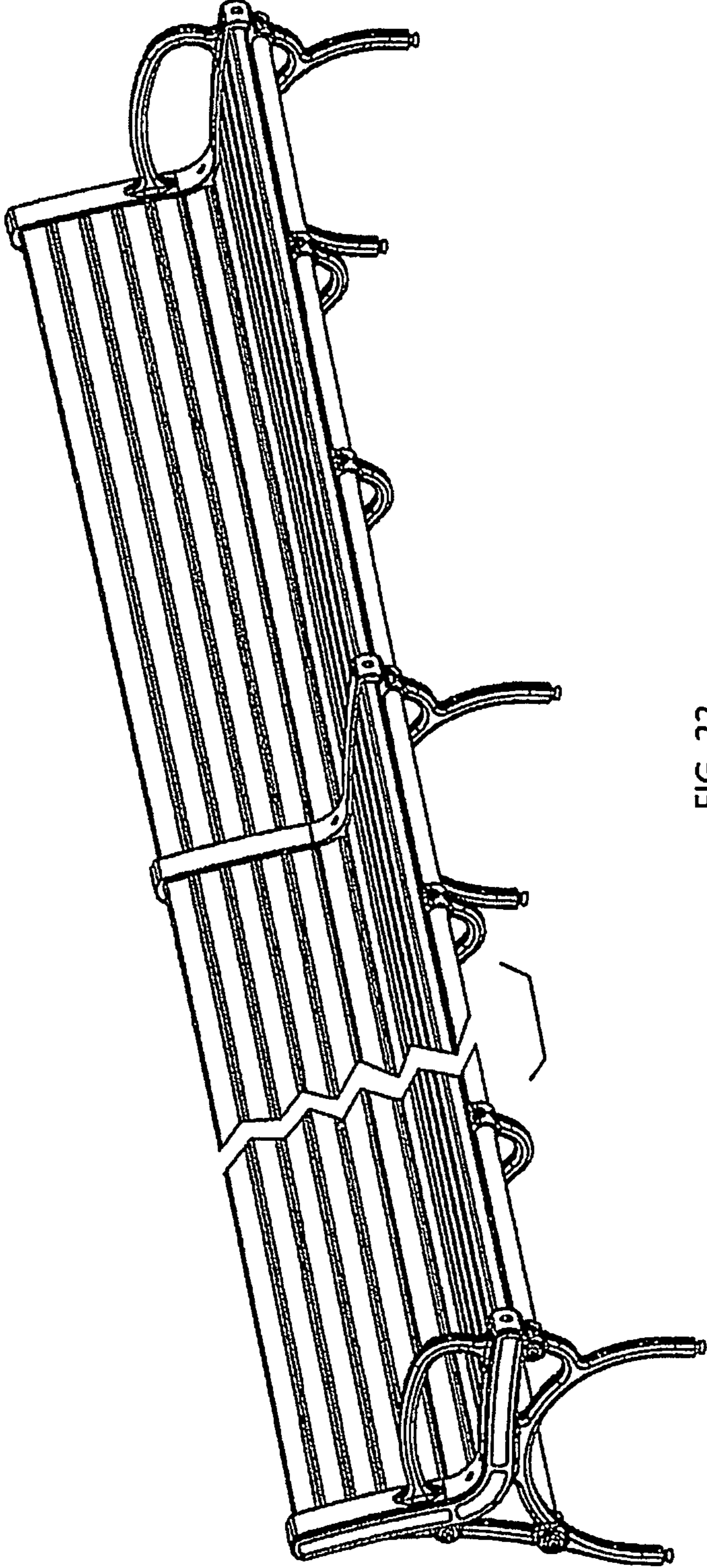


FIG. 22

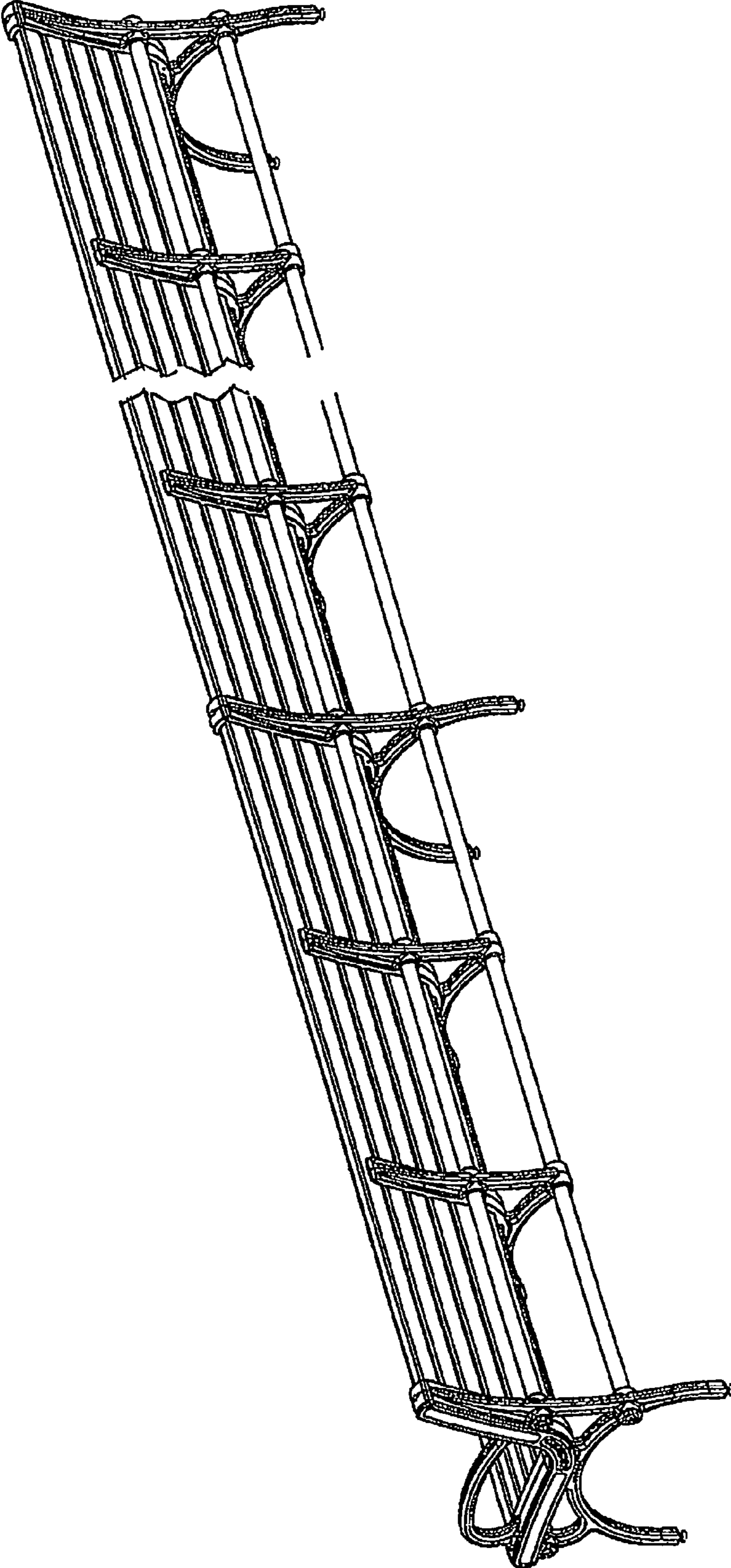


FIG. 23

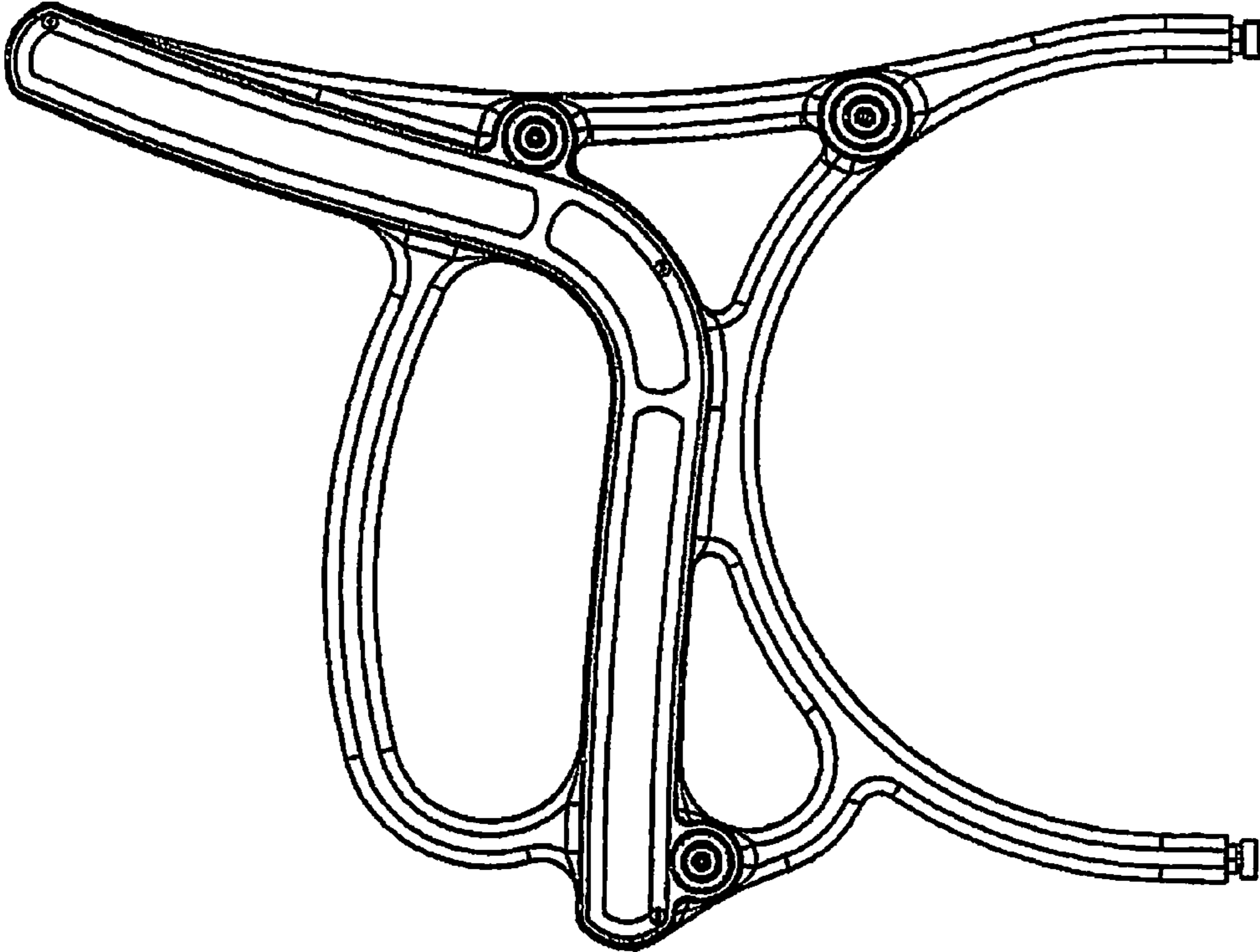


FIG. 24

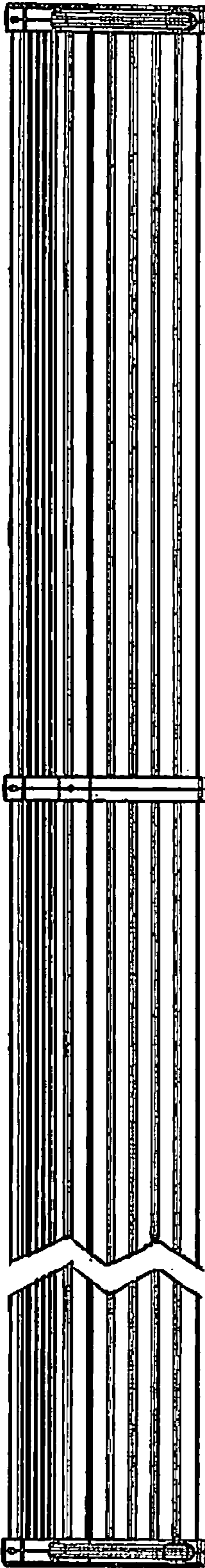


FIG. 25

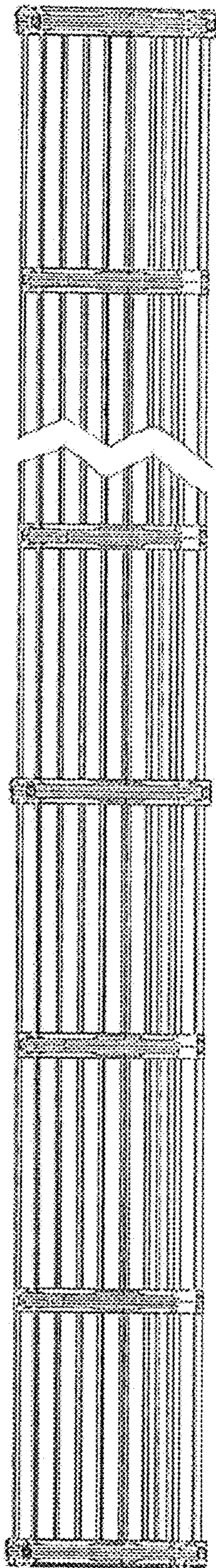


FIG. 26

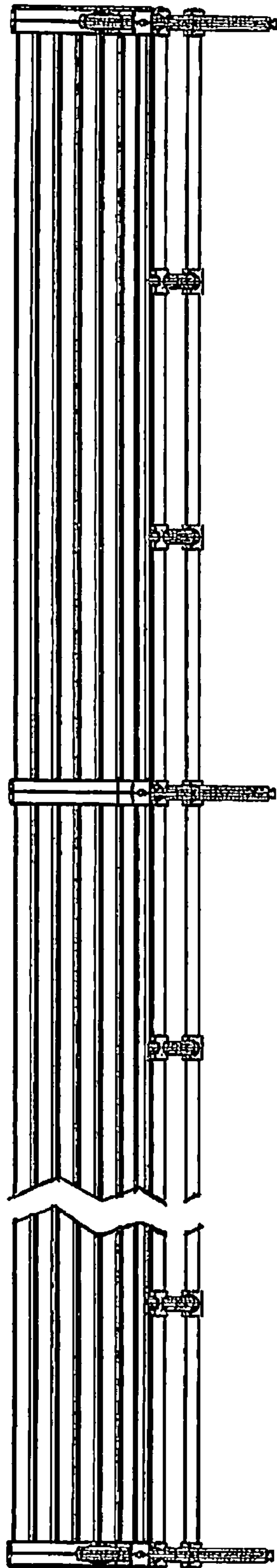


FIG. 27

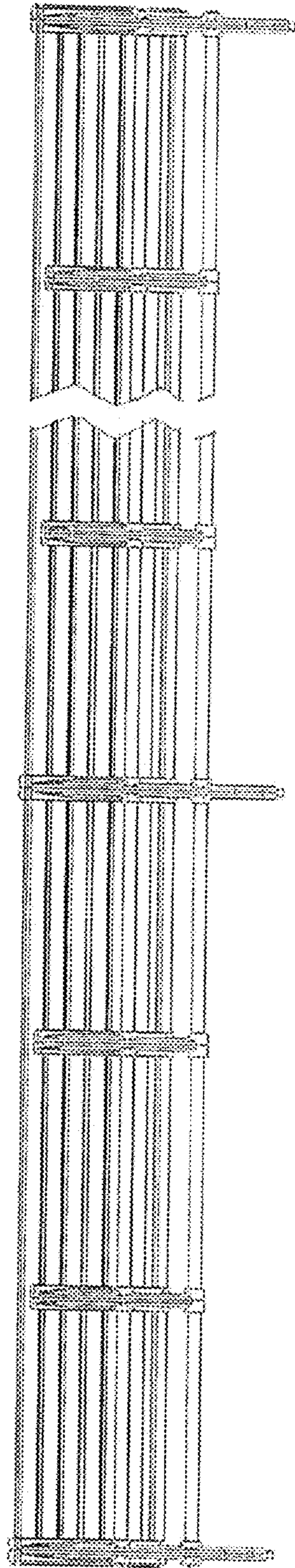


FIG. 28