



US00D689292S

(12) **United States Design Patent**
Kittilsen et al.

(10) **Patent No.:** **US D689,292 S**

(45) **Date of Patent:** **** Sep. 10, 2013**

(54) **CHAIR WITH FOOTREST**

(71) Applicant: **Stokke AS**, Skodje (NO)

(72) Inventors: **Anders August Kittilsen**, Ålesund (NO); **Tore Vinje Brustad**, Oslo (NO); **Andreas Murray**, Oslo (NO)

(73) Assignee: **Stokke AS** (NO)

(**) Term: **14 Years**

(21) Appl. No.: **29/432,990**

(22) Filed: **Sep. 24, 2012**

(30) **Foreign Application Priority Data**

Mar. 22, 2012 (NO) 20120244

(51) **LOC (9) Cl.** **06-06**

(52) **U.S. Cl.**
USPC **D6/360**

(58) **Field of Classification Search**

USPC D6/334-336, 338, 339, 349, 360,
D6/371, 372, 373, 374, 375, 376, 379, 380,
D6/716, 716.1, 716.2, 716.3, 716.4; 297/338,
297/411.4, 411.41, 411.42, 411.43, 423.4,
297/445.1, 446.1

See application file for complete search history.

(56) **References Cited**

U.S. PATENT DOCUMENTS

132,762 A 11/1872 Haupt
375,471 A 12/1887 Binder
769,495 A 9/1904 Schroeder
1,178,894 A 4/1916 Wilcox
2,008,392 A 7/1935 Heller
D114,435 S * 4/1939 Berna D6/360
D175,781 S * 10/1955 Kranz D6/335

3,335,434 A 8/1967 Gamon
D227,828 S 7/1973 Heyl
4,109,961 A * 8/1978 Opsvik 297/338
4,650,246 A 3/1987 Henriksson
D294,429 S 3/1988 Vasquez
4,747,526 A 5/1988 Launes
D298,388 S 11/1988 Wise et al.
D298,987 S * 12/1988 Tiffany D6/360
D308,656 S 6/1990 Takahashi et al.
5,317,765 A 6/1994 Knoedler et al.
5,334,099 A 8/1994 Marra et al.

(Continued)

FOREIGN PATENT DOCUMENTS

DE 9312828 U1 11/1993
DE 4329692 C2 11/1998

(Continued)

Primary Examiner — Mimoso De

(74) *Attorney, Agent, or Firm* — Kolisch Hartwell, P.C.

(57) **CLAIM**

We claim the ornamental design for a chair with footrest, as shown and described.

DESCRIPTION

FIG. 1 is an upper-right perspective view of a chair with footrest according to an embodiment of the invention.

FIG. 2 is a lower-left perspective view of FIG. 1.

FIG. 3 is a top plan view of FIG. 1.

FIG. 4 is a bottom plan view of FIG. 1.

FIG. 5 is a left side elevation view of FIG. 1.

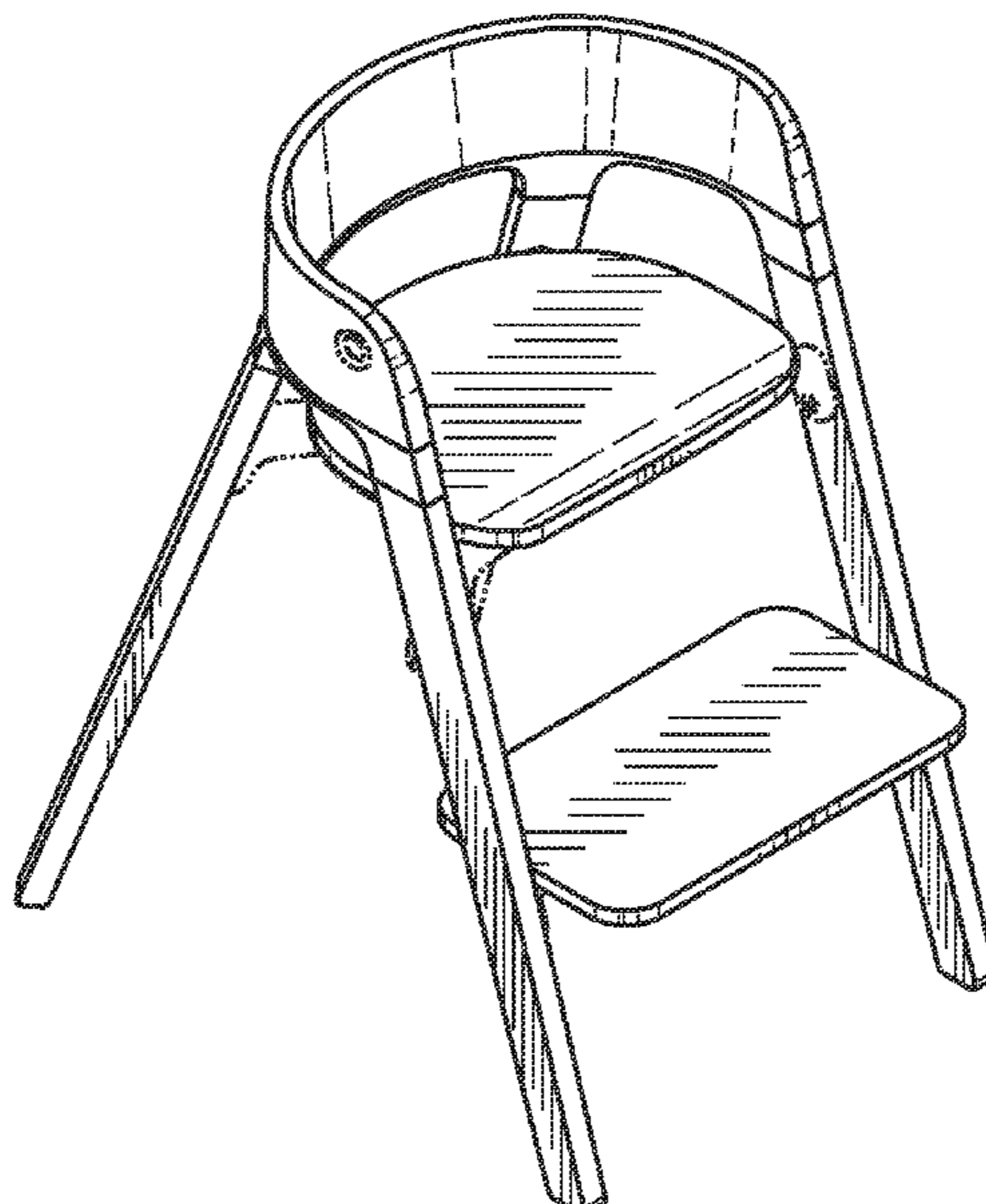
FIG. 6 is a right side elevation view of FIG. 1.

FIG. 7 is a front elevation view of FIG. 1; and,

FIG. 8 is a rear elevation view of FIG. 1.

The unclaimed environment is represented by thick, evenly spaced, dash-dot-dot-dash lines, and forms no part of the claimed design.

1 Claim, 4 Drawing Sheets



(56)

References Cited

U.S. PATENT DOCUMENTS

D356,447	S	3/1995	Peters	
5,438,043	A	8/1995	Ljungqvist	
D362,554	S	9/1995	Grundner	
D365,449	S	12/1995	Wood	
D367,181	S	2/1996	Peters	
D370,569	S	* 6/1996	Opsvik	D6/360
D381,817	S	8/1997	Cone, II	
D381,818	S	8/1997	Wood	
5,687,433	A	11/1997	Garner et al.	
5,730,493	A	3/1998	Fornasari et al.	
5,810,432	A	9/1998	Haut et al.	
5,860,696	A	1/1999	Opsvik et al.	
5,927,805	A	7/1999	Hilger et al.	
6,024,412	A	2/2000	Kain et al.	
D441,209	S	* 5/2001	Hagstrom	D6/360
6,416,132	B1	7/2002	Norton et al.	
6,626,487	B1	9/2003	Buitendach	
D493,020	S	7/2004	Resfum	
D499,990	S	12/2004	Refsum et al.	
D503,546	S	4/2005	Oxseth	
D505,366	S	5/2005	Refsum et al.	
D510,716	S	10/2005	Refsum et al.	

D519,258	S	4/2006	Resfum	
D522,210	S	5/2006	Resfum	
D525,423	S	7/2006	Oxseth	
D526,601	S	8/2006	Oxseth	
D566,014	S	4/2008	Myers	
D576,084	S	9/2008	Dotsey et al.	
D582,693	S	* 12/2008	da Costa	D6/380
D590,608	S	4/2009	Ebina	
D599,143	S	9/2009	Opsvik	
D614,893	S	5/2010	Opsvik	
D631,402	S	1/2011	Bagwell et al.	
7,992,935	B2	8/2011	Opsvik	
D651,139	S	12/2011	Angelfoss et al.	
D654,409	S	2/2012	Angelfoss et al.	
8,152,239	B2	4/2012	Opsvik	

FOREIGN PATENT DOCUMENTS

DE	10202735	A1	8/2003
DE	10229436	A1	1/2004
EP	0182761	B1	4/1988
EP	1388311	A1	2/2004
FR	2856564	B3	10/2005
WO	WO9530360	A1	11/1995

* cited by examiner

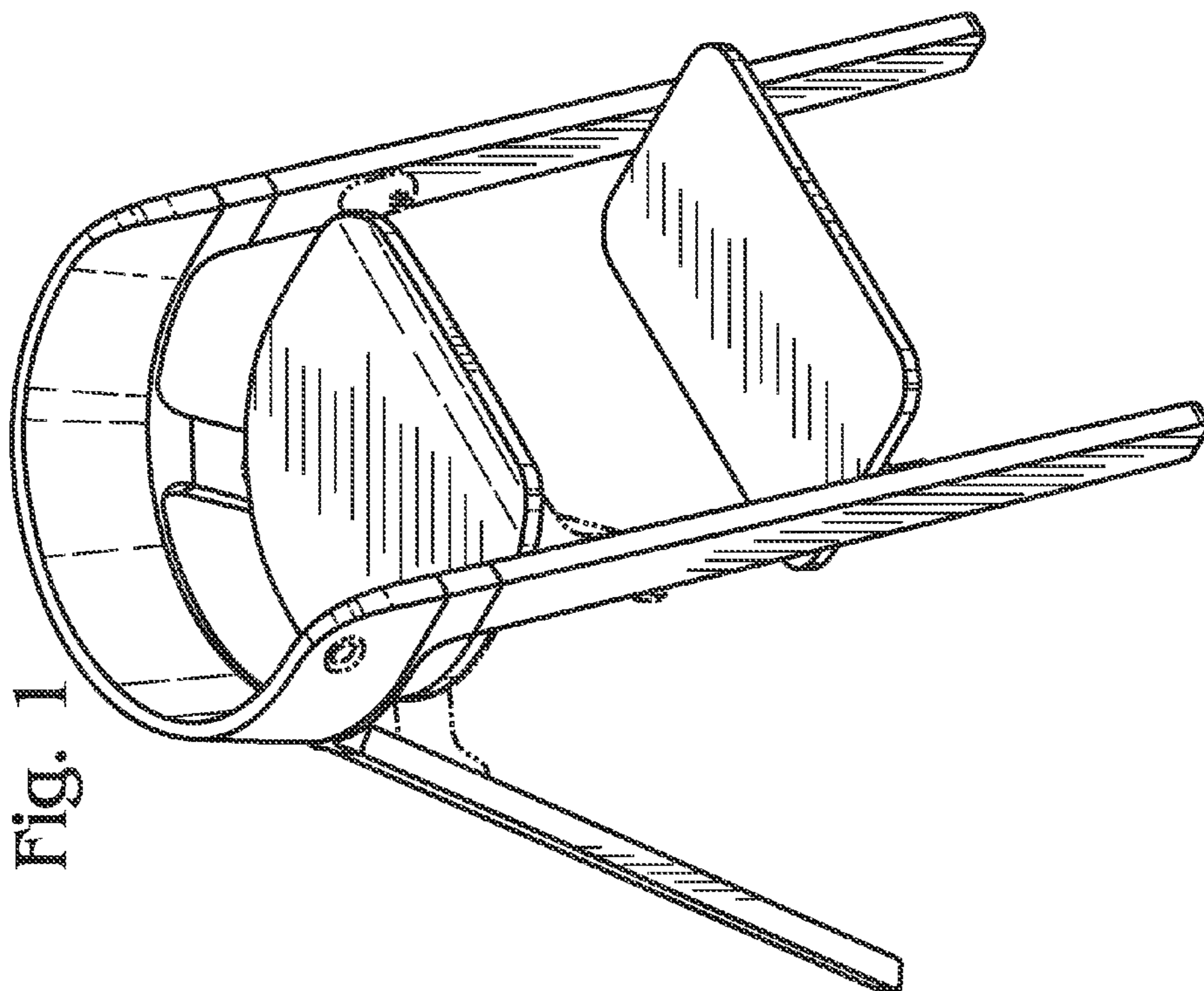
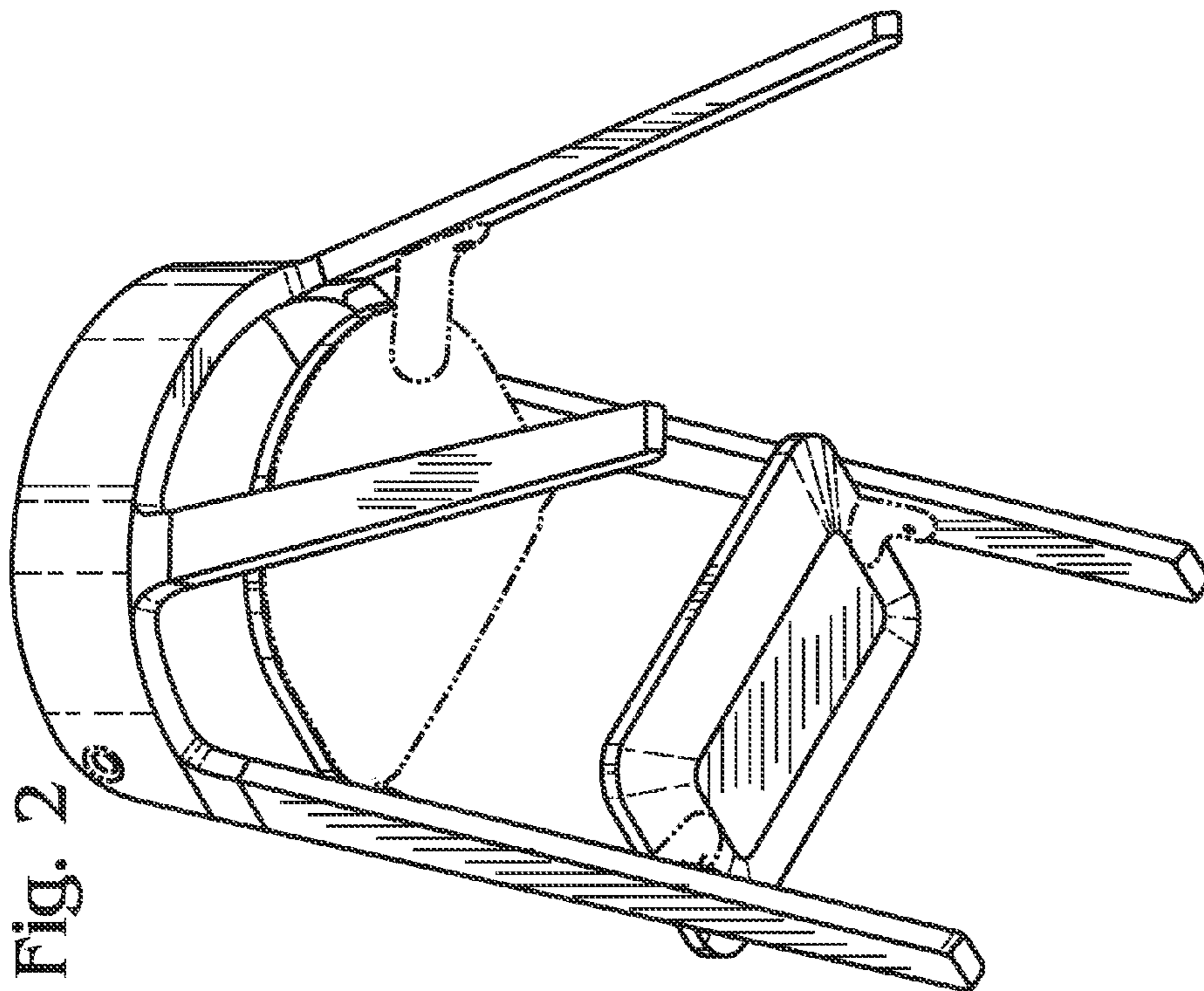


Fig. 2

Fig. 1

Fig. 3

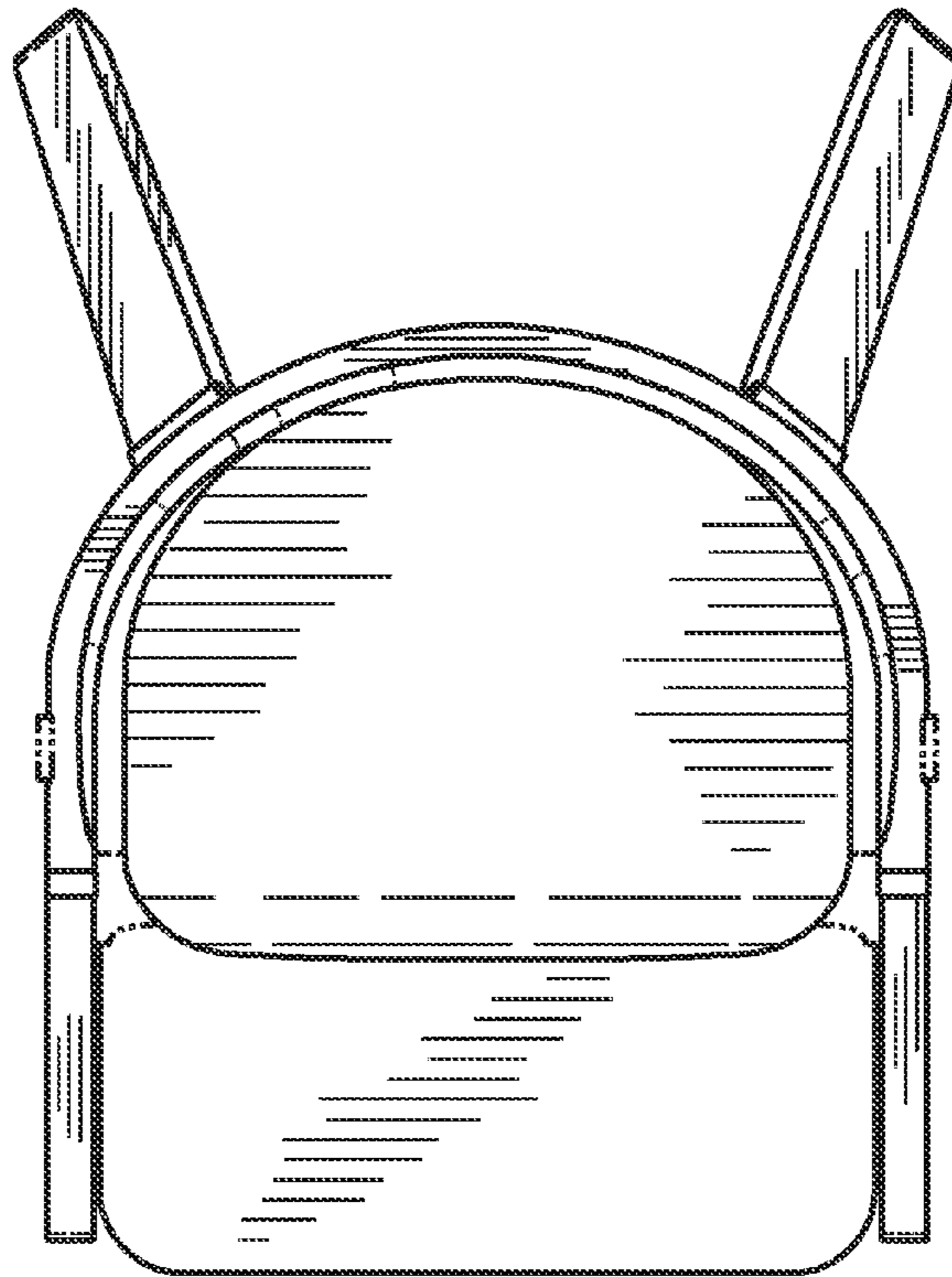
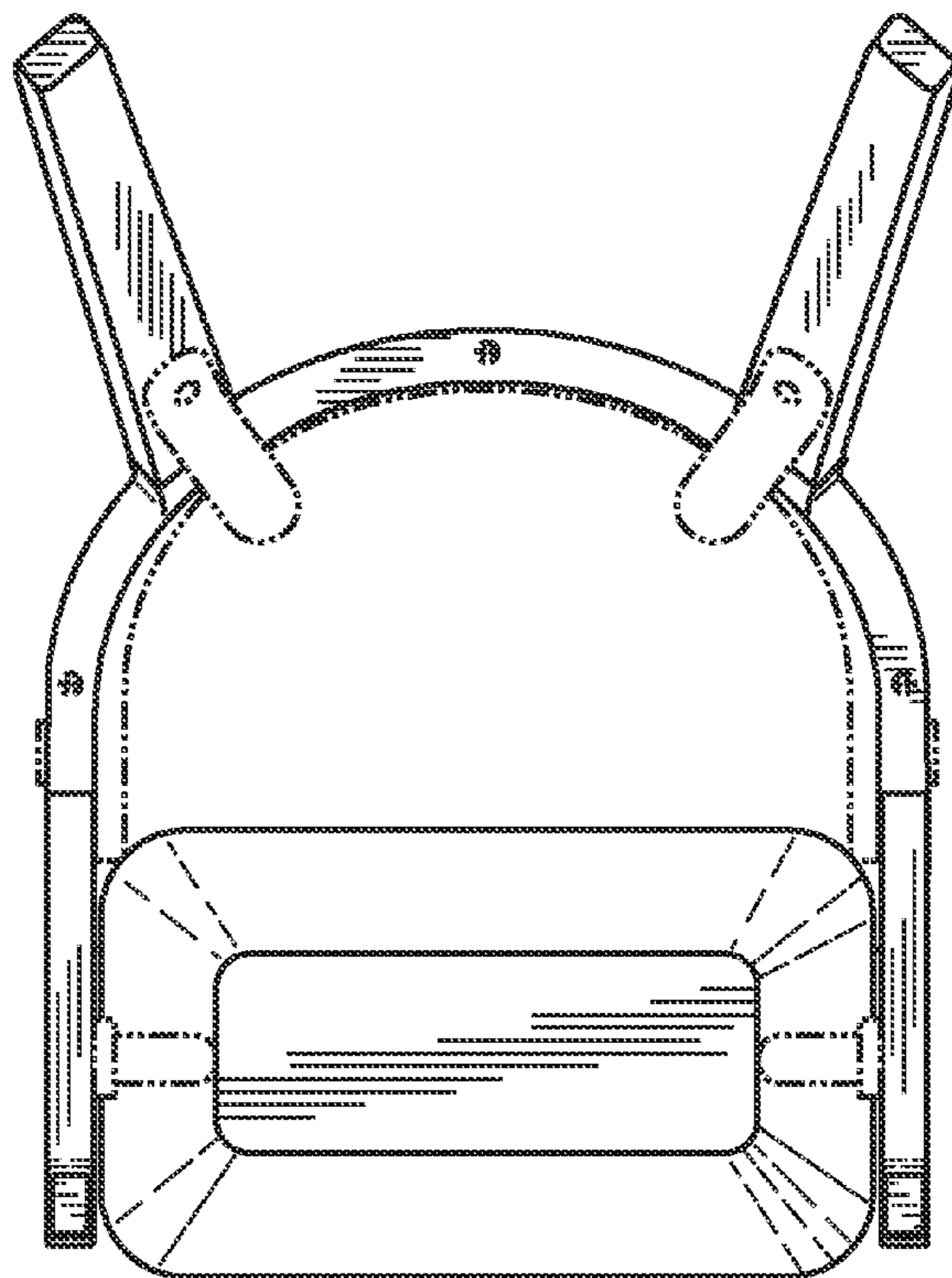


Fig. 4



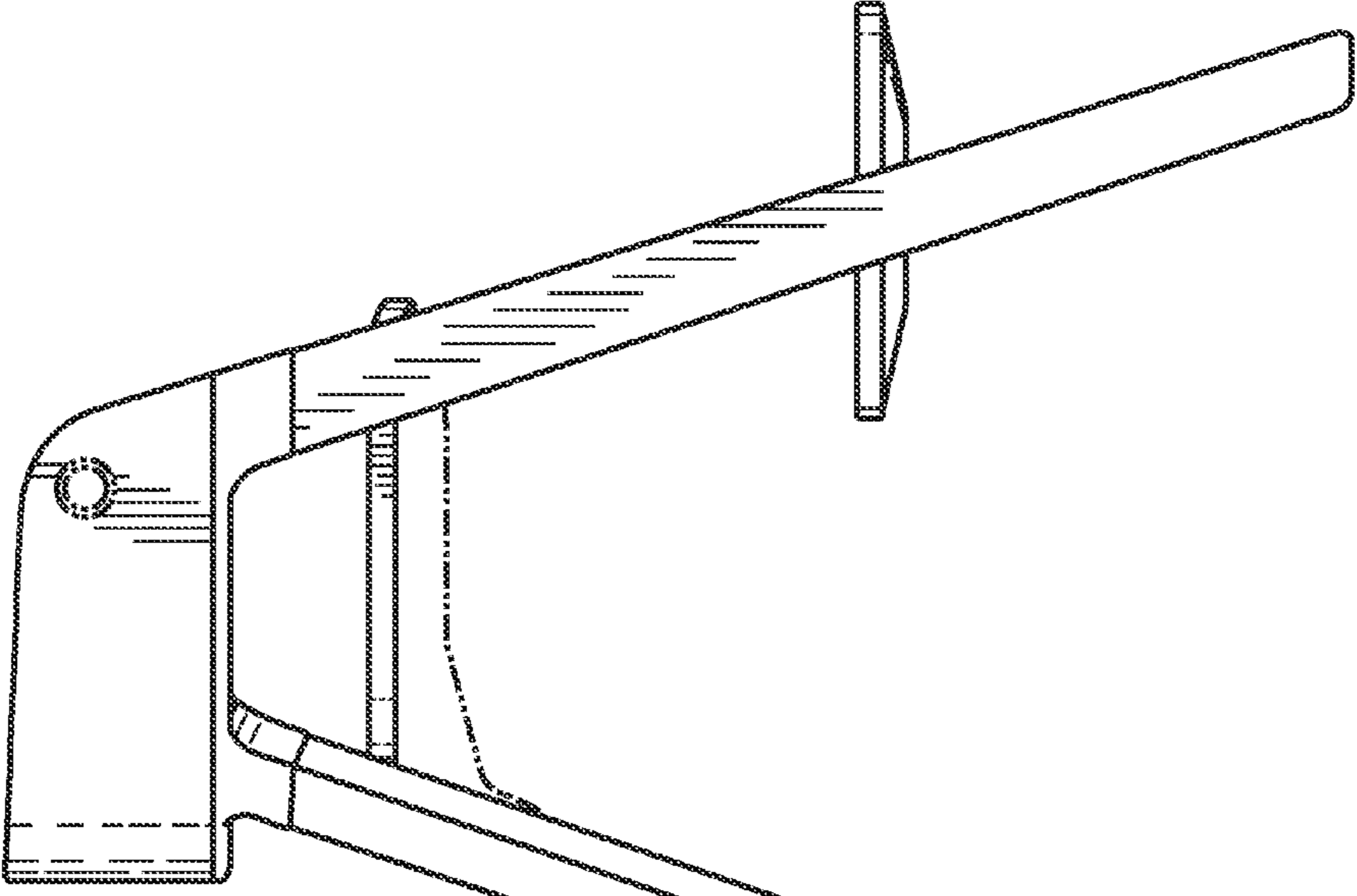


Fig. 6

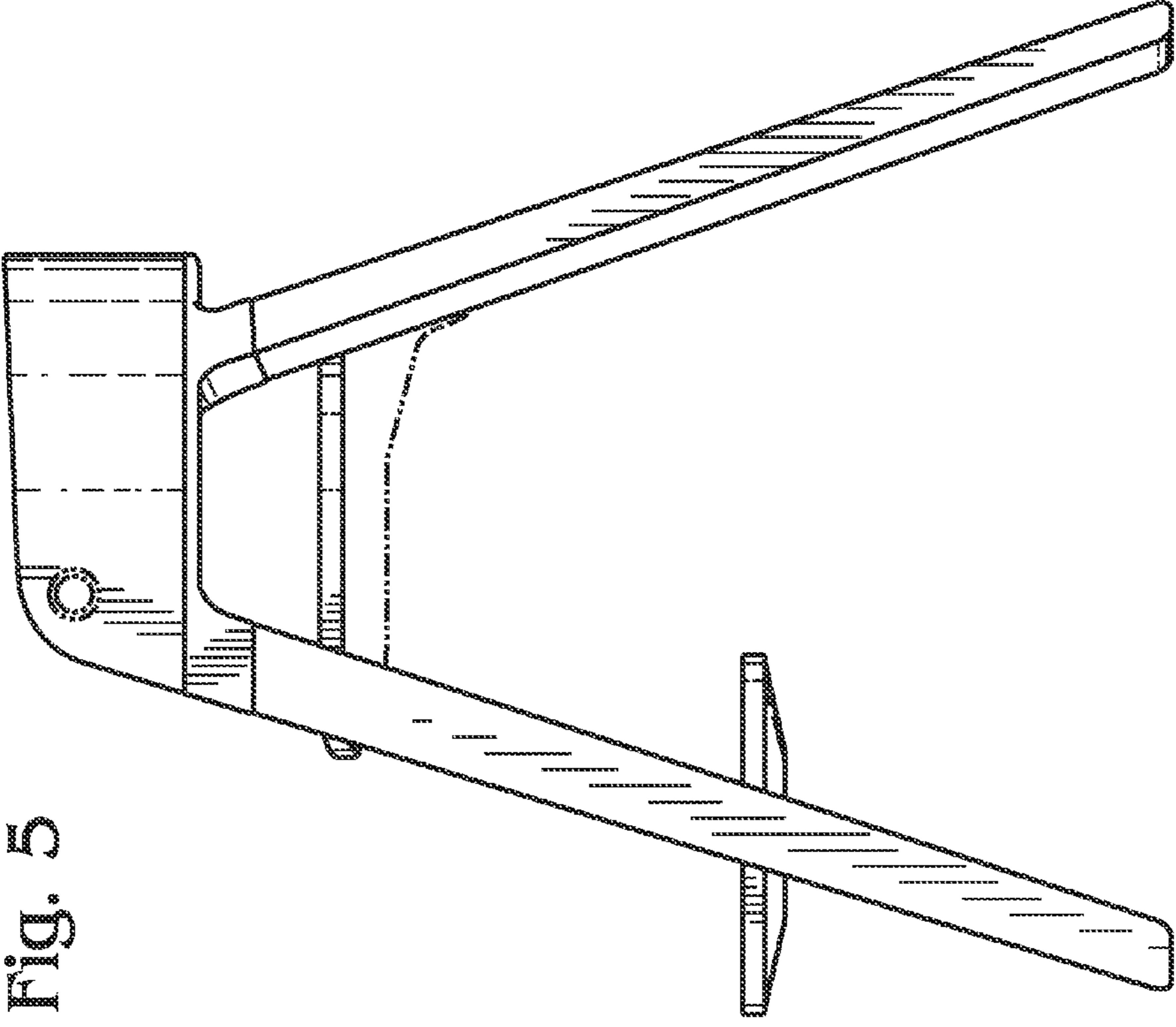


Fig. 5

Fig. 8

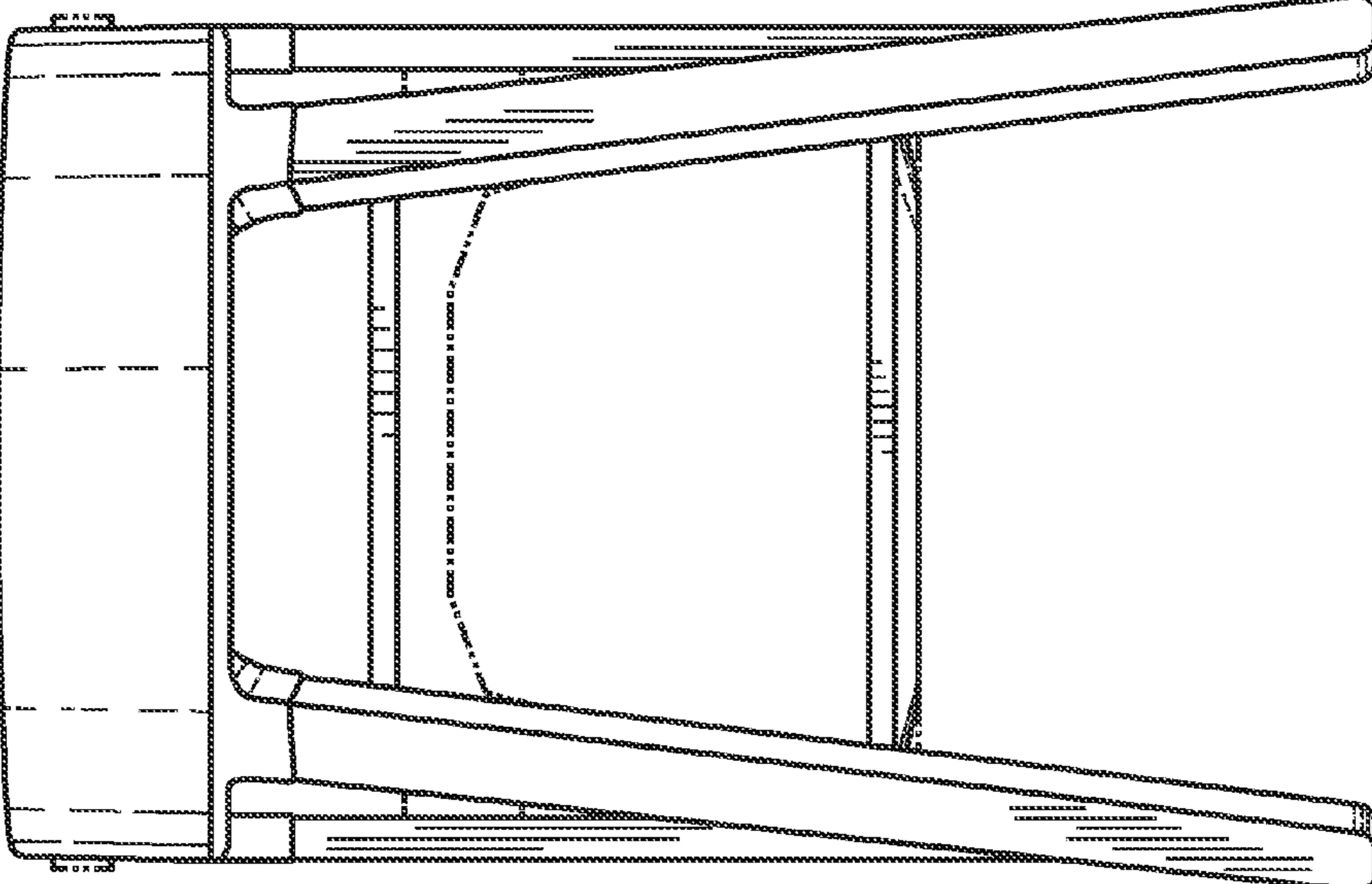


Fig. 7

