



US00D689291S

(12) **United States Design Patent**
Kapka et al.

(10) **Patent No.:** **US D689,291 S**
(45) **Date of Patent:** **** Sep. 10, 2013**

- (54) **FURNITURE**
- (75) Inventors: **Mark Kapka**, San Francisco, CA (US);
Alan Ernest Rheault, Grand Rapids, MI (US); **Karl Jahn Mead**, East Grand Rapids, MI (US)
- (73) Assignee: **Steelcase Inc.**, Grand Rapids, MI (US)
- (**) Term: **14 Years**
- (21) Appl. No.: **29/430,847**
- (22) Filed: **Aug. 30, 2012**
- (51) **LOC (9) Cl.** **06-01**
- (52) **U.S. Cl.**
USPC **D6/335**
- (58) **Field of Classification Search**
USPC D6/335, 336, 337, 338, 708, 716,
D6/716.1, 685; 297/175, 411.2, 445.1, 446.1,
297/446.2, 447.1, 447.2, 448.1, 451.2, 452.11,
297/452.29, 461, 462; 5/12.1, 12.2
See application file for complete search history.

3,055,017 A	9/1962	Thierfelder
3,093,410 A	6/1963	Wilson
3,127,216 A	3/1964	Clouse
D203,817 S	2/1966	Burke
3,241,885 A	3/1966	Deaton
3,353,865 A	11/1967	Bass
D214,245 S	5/1969	Sand
D215,839 S	11/1969	Wormser
3,635,521 A	1/1972	Shivvers
3,811,728 A	5/1974	Redemske
D241,485 S	9/1976	Blodee
4,032,188 A	6/1977	Jones
D246,023 S	10/1977	Hillman et al.
4,070,715 A	1/1978	Reppas
4,110,854 A	9/1978	Sjolie

(Continued)

FOREIGN PATENT DOCUMENTS

DE	2204784 A1	8/1973
FR	2358128 B1	11/1980

Primary Examiner — Sandra Snapp

(57) **CLAIM**

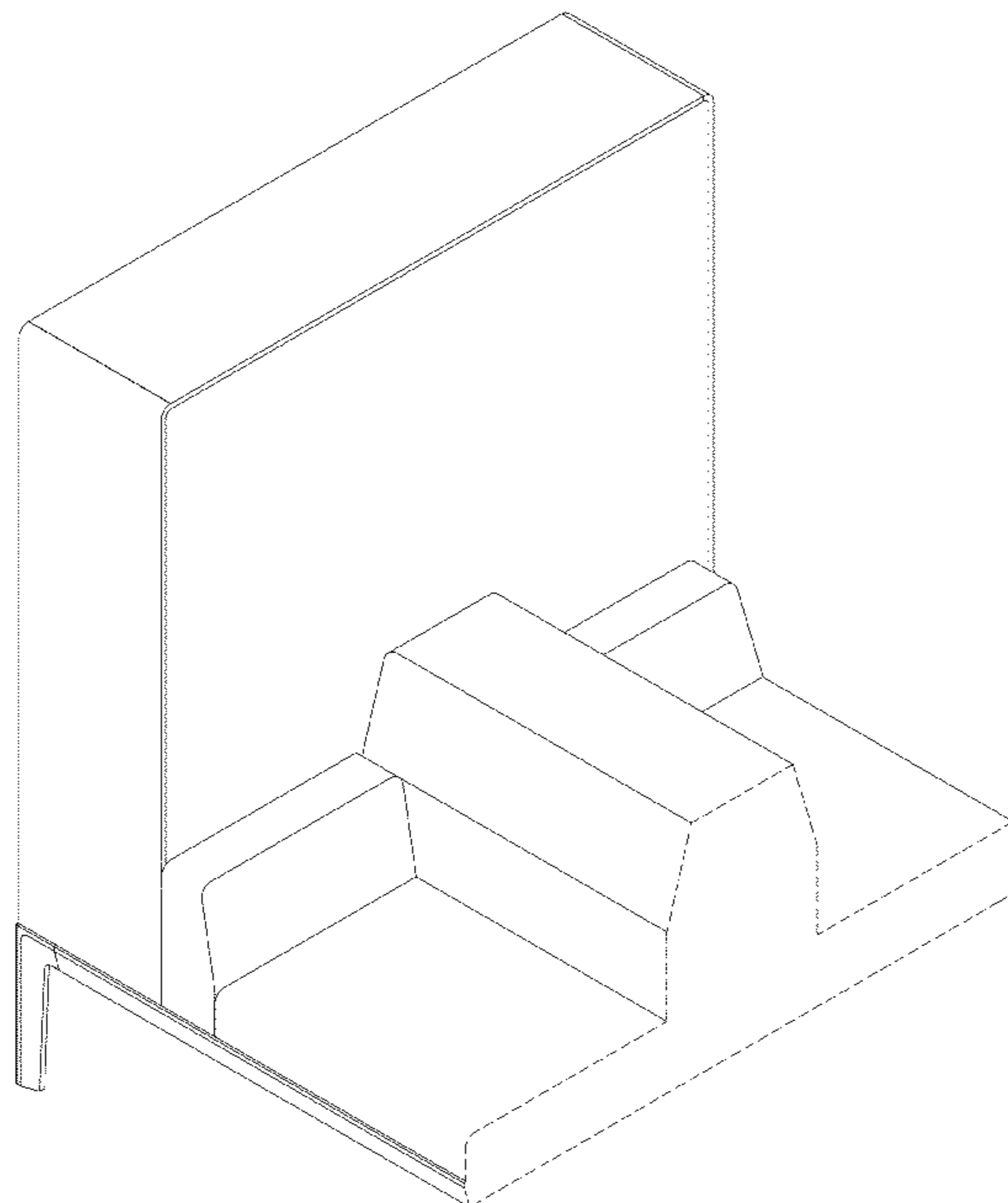
We claim the ornamental design for a furniture, as shown and described.

DESCRIPTION

FIG. 1 is a top perspective view of a furniture, according to one embodiment;
 FIG. 2 is a rear perspective view of a furniture of FIG. 1;
 FIG. 3 is a front view of a furniture of FIG. 1;
 FIG. 4 is a right side view of a furniture of FIG. 1;
 FIG. 5 is a left side view of a furniture of FIG. 1;
 FIG. 6 is a top view of a furniture of FIG. 1; and,
 FIG. 7 is a bottom view of furniture of FIG. 1.
 The dashed lines are for purposes of illustrating environmental structure and form no part of the claimed design.

1 Claim, 7 Drawing Sheets

- (56) **References Cited**
- U.S. PATENT DOCUMENTS
- 797,826 A 8/1905 Sherman, Jr.
- 843,547 A 2/1907 McKensey
- 1,265,977 A 5/1918 Vordermark
- 1,391,462 A 9/1921 Cornelison
- 2,103,552 A 12/1937 Radyx
- D127,925 S 6/1941 Scott
- 2,261,506 A 11/1941 Scott
- 2,279,946 A 4/1942 Johnson
- D151,983 S 12/1948 Guertin
- 2,476,105 A 7/1949 Megary
- 2,720,659 A 10/1955 Brown
- 2,899,691 A 8/1959 Davis et al.



(56)

References Cited

U.S. PATENT DOCUMENTS

D256,297 S 8/1980 Gera et al.
 D272,872 S 3/1984 Moreno
 D273,254 S 4/1984 Fairaizen
 D282,886 S 3/1986 Williams
 D284,142 S 6/1986 Raftery
 D288,631 S 3/1987 Mample
 D312,001 S 11/1990 Synarski et al.
 D312,736 S 12/1990 Grosfillex
 D335,035 S 4/1993 Floyd
 D342,617 S 12/1993 Louden
 D358,283 S 5/1995 Kelly
 D359,406 S 6/1995 Crawford et al.
 5,423,597 A 6/1995 Rogers
 D360,775 S 8/1995 Karkoska et al.
 D369,247 S 4/1996 Anderson
 D376,499 S 12/1996 Glick et al.
 5,754,995 A 5/1998 Behrendt
 D418,313 S 1/2000 Sexton et al.
 D419,314 S 1/2000 Saul
 D439,425 S 3/2001 Park et al.
 D510,816 S 10/2005 Lee
 7,040,695 B2 5/2006 McClure
 D527,196 S 8/2006 Antonioni
 D530,929 S 10/2006 Resterhouse et al.
 D532,209 S 11/2006 Rodis
 7,181,783 B2 2/2007 O'Reilly

D538,549 S 3/2007 Spear
 D541,075 S 4/2007 Natuzzi
 D558,471 S * 1/2008 Newhouse et al. D6/337
 D558,993 S 1/2008 Saint-Jalmes et al.
 D561,487 S 2/2008 Schweikarth et al.
 D566,417 S 4/2008 Mourgue
 D566,980 S 4/2008 Mourgue
 D569,112 S 5/2008 Swanson
 D575,963 S 9/2008 Gomez
 D577,211 S 9/2008 Natuzzi
 D582,688 S 12/2008 Spear
 D586,590 S 2/2009 Schweikarth et al.
 D587,918 S 3/2009 Bergman et al.
 D597,328 S 8/2009 Schweikarth et al.
 D598,665 S 8/2009 Cloet et al.
 D598,666 S 8/2009 Cloet et al.
 D600,938 S 9/2009 Natuzzi
 D614,876 S 5/2010 Metcalf et al.
 D614,884 S 5/2010 Metcalf et al.
 D615,767 S 5/2010 Griepentrog et al.
 D617,122 S 6/2010 Moon et al.
 D618,935 S 7/2010 Metcalf et al.
 D620,288 S 7/2010 Stiker Metral
 D624,328 S 9/2010 Grandin et al.
 D639,083 S 6/2011 Martin
 2007/0289225 A1 12/2007 Kern et al.
 2009/0184612 A1 * 7/2009 McClure 312/235.9
 2009/0243352 A1 10/2009 Cailleteau

* cited by examiner

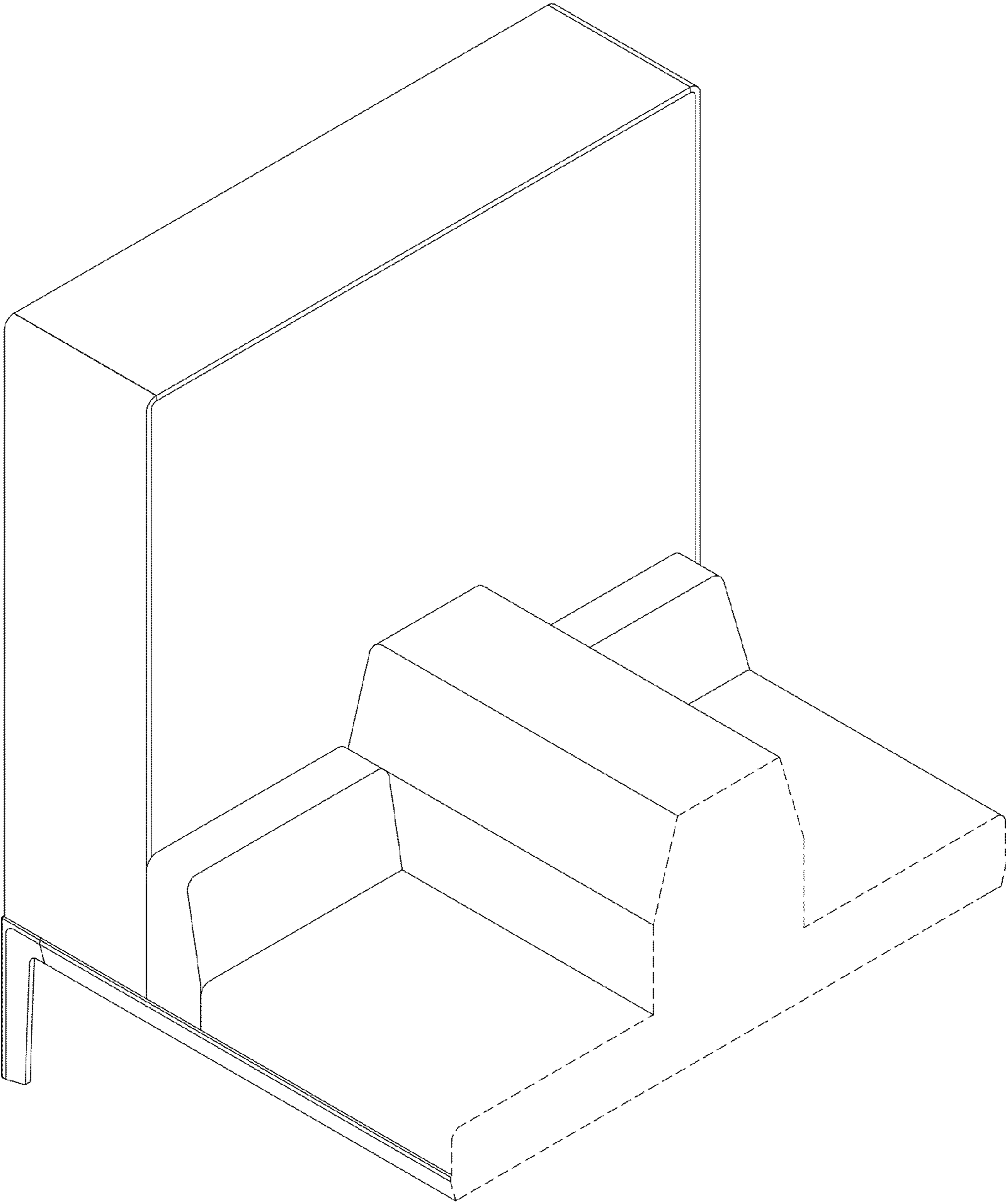


FIG. 1

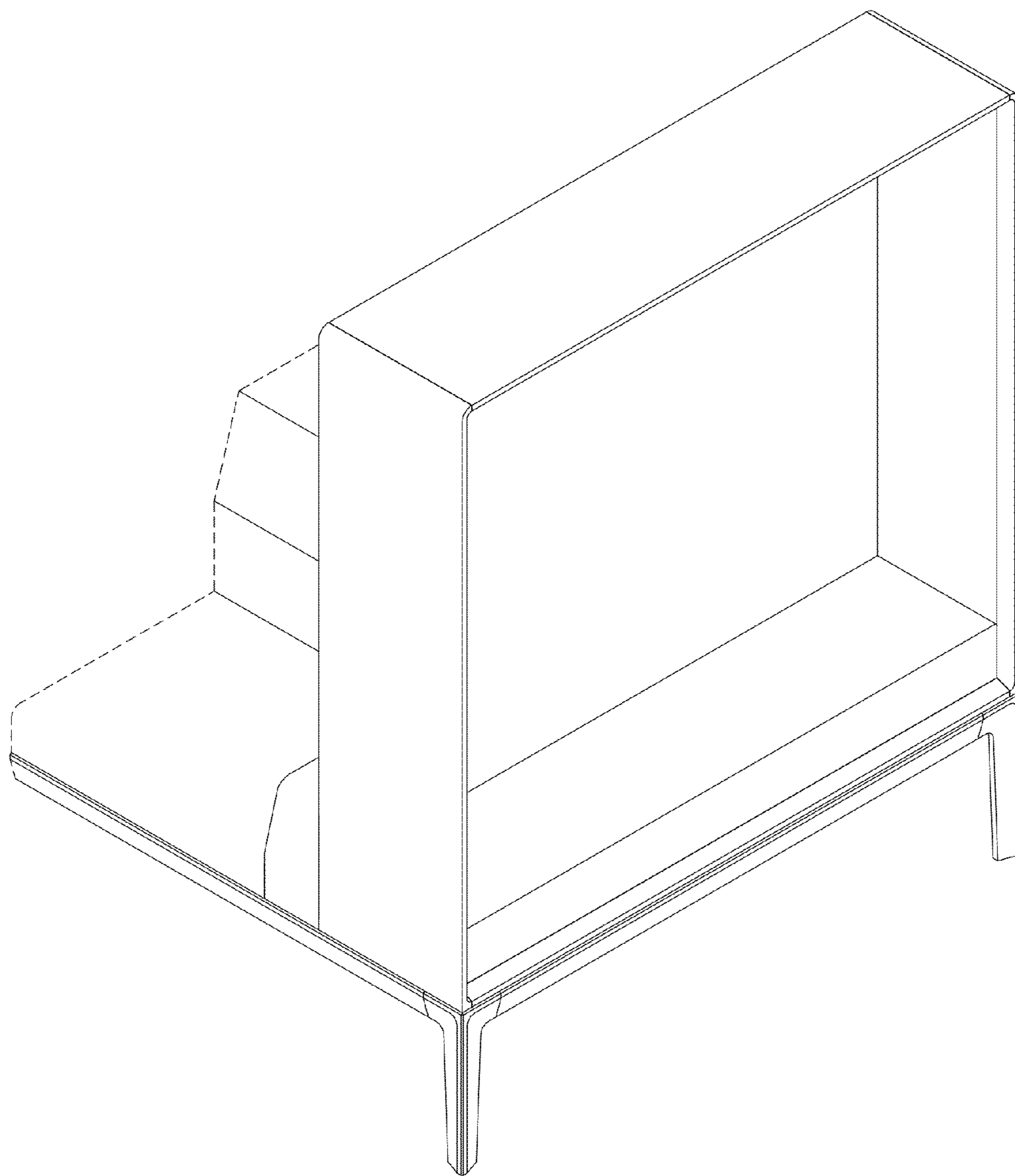


FIG. 2

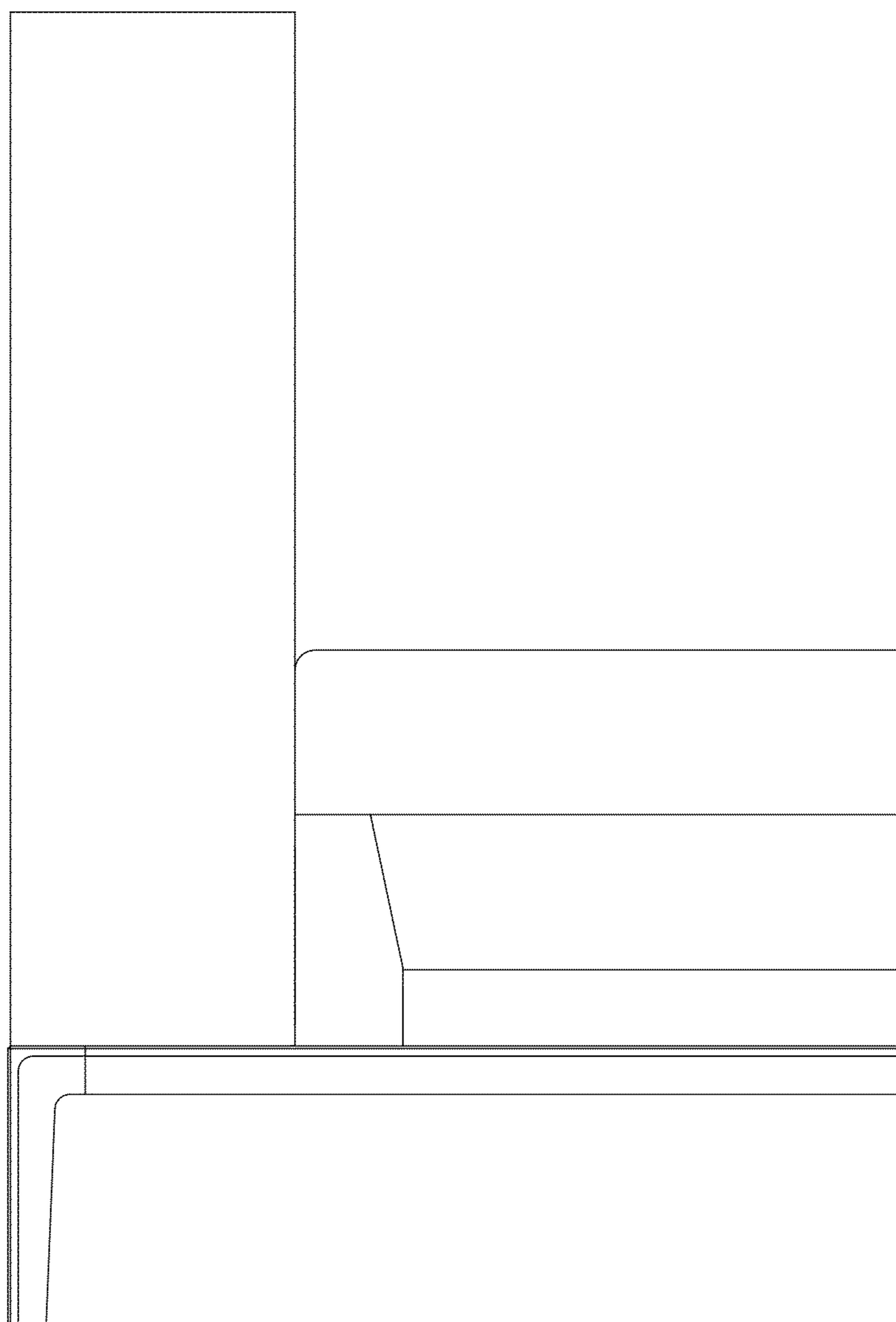


FIG. 3

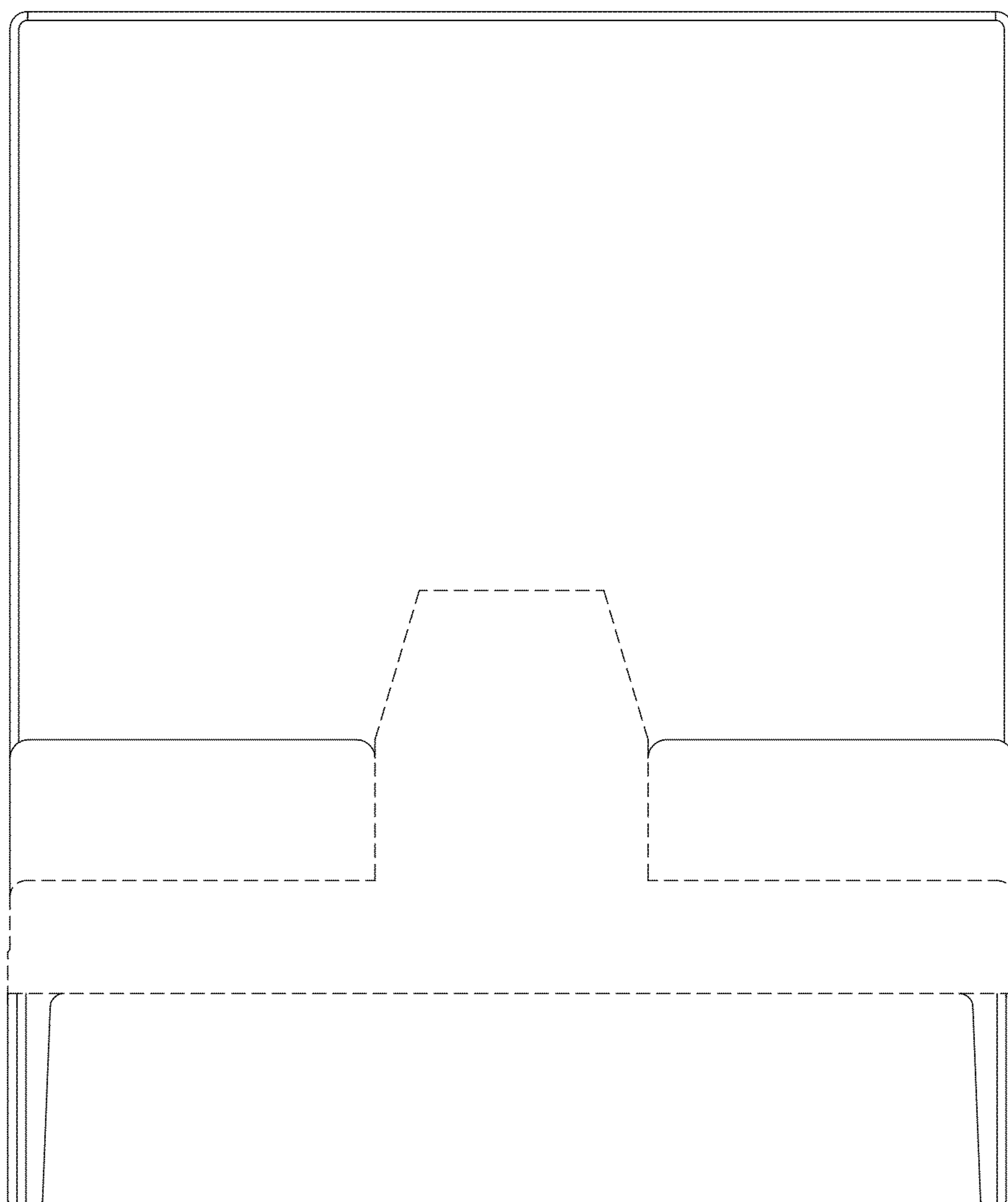


FIG. 4

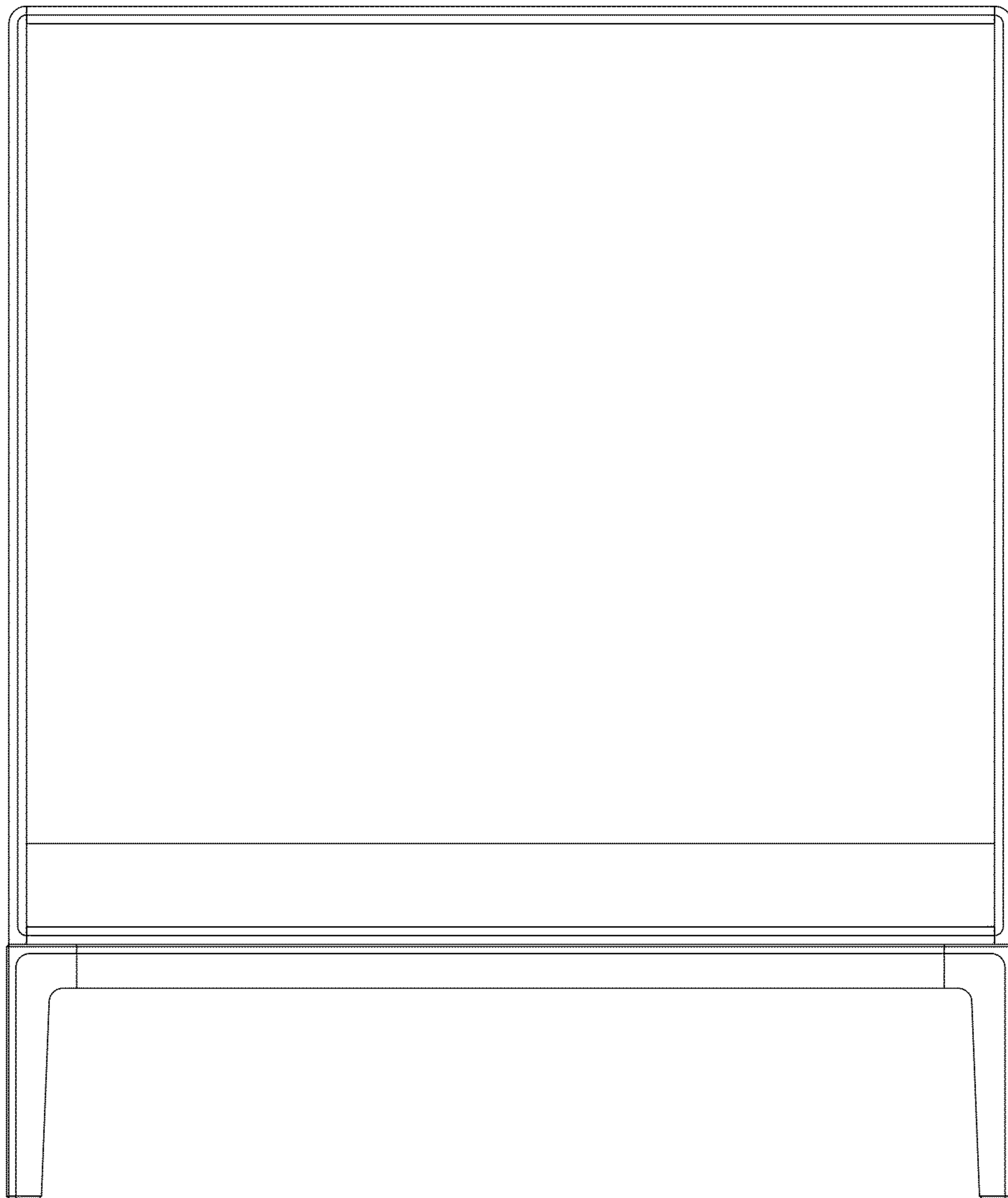


FIG. 5

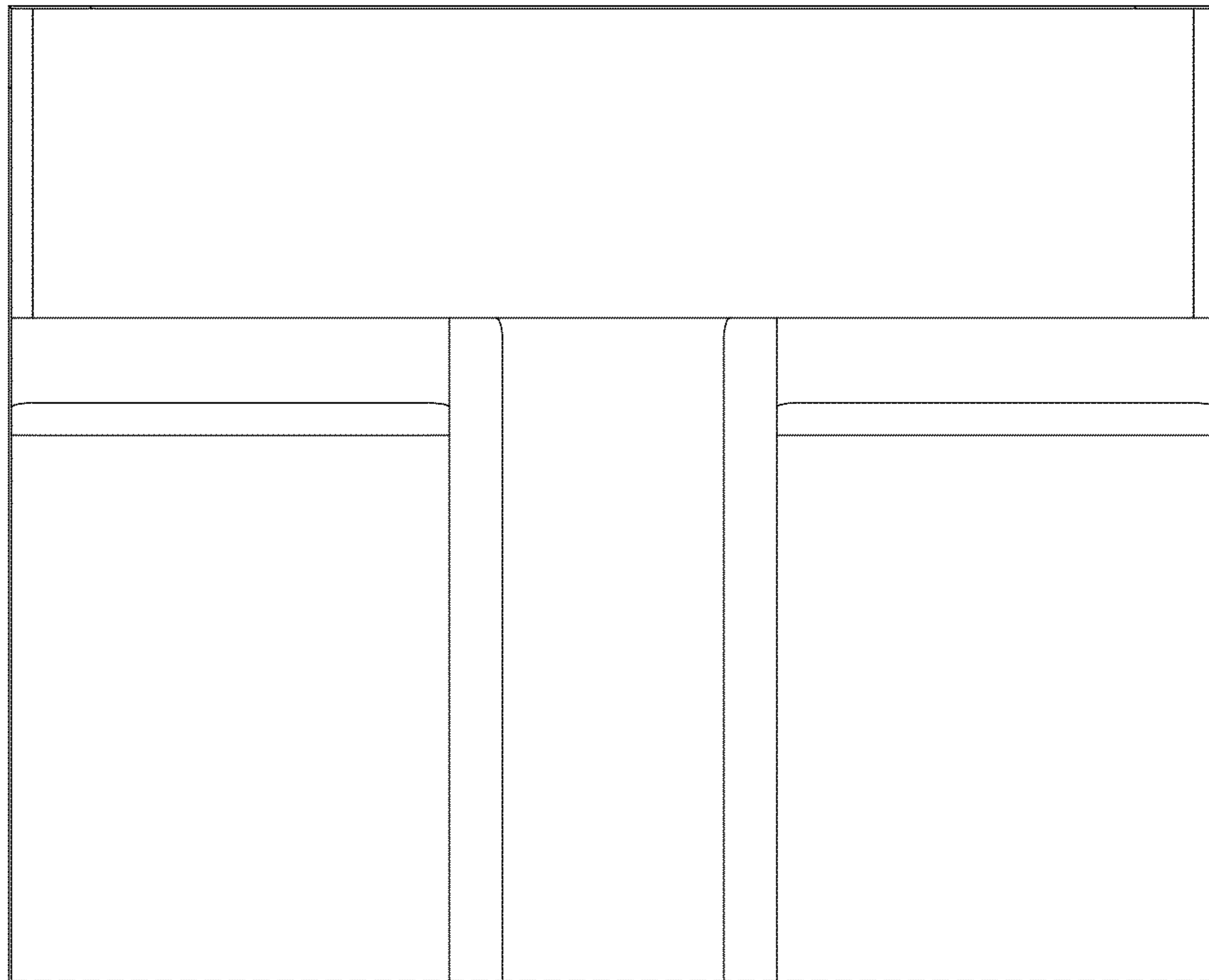


FIG. 6

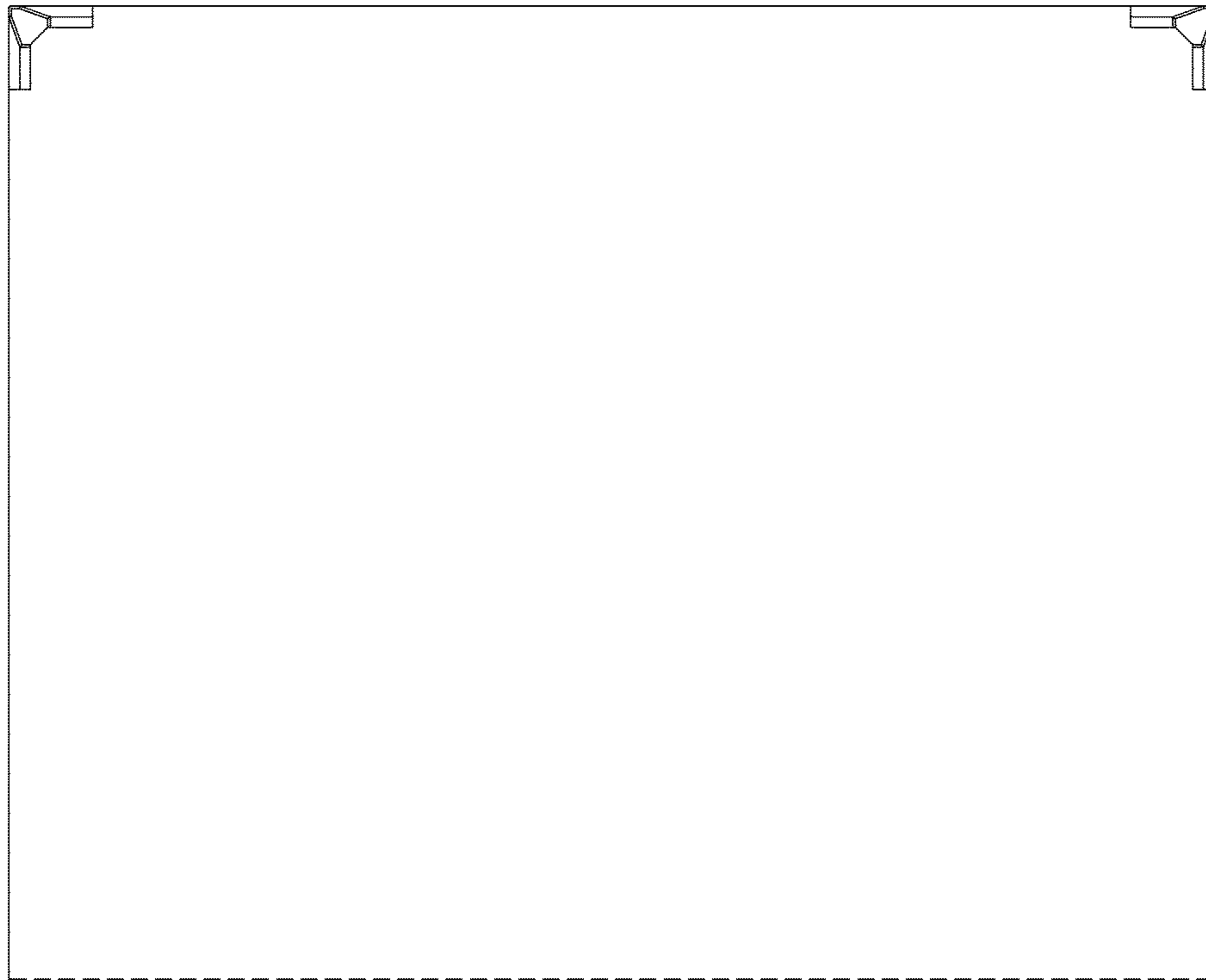


FIG. 7