



US00D689288S

(12) **United States Design Patent**  
**Zadro**

(10) **Patent No.:** **US D689,288 S**  
(45) **Date of Patent:** **\*\* Sep. 10, 2013**

- (54) **CELLPHONE MIRROR STAND**
- (76) Inventor: **Zlatko Zadro**, Huntington Beach, CA  
(US)
- (\*\*) Term: **14 Years**
- (21) Appl. No.: **29/374,440**
- (22) Filed: **Aug. 12, 2011**
- (51) **LOC (9) Cl.** ..... **06-07**
- (52) **U.S. Cl.**  
USPC ..... **D6/312**
- (58) **Field of Classification Search**  
USPC ..... D6/300-314; D28/64.3, 83, 78,  
D28/82, 64.1; D9/560, 420, 426, 731; D3/294,  
D3/301; D14/138 AB, 125; 132/301; 206/581  
See application file for complete search history.

- D473,680 S \* 4/2003 Saunders et al. .... D28/78
- D479,016 S \* 8/2003 Sgariboldi ..... D28/78
- D486,944 S \* 2/2004 Bernard ..... D28/78
- D503,245 S \* 3/2005 Vanoncini ..... D28/78
- D504,743 S \* 5/2005 Kostow ..... D28/78
- D506,141 S \* 6/2005 Ames ..... D9/560
- D510,032 S \* 9/2005 Ames ..... D9/560
- D546,564 S \* 7/2007 Lo et al. .... D6/300
- D554,802 S \* 11/2007 Pitot ..... D28/64.3
- D565,842 S \* 4/2008 Falcone ..... D3/294
- D576,770 S \* 9/2008 Mascotte et al. .... D28/83
- D581,669 S \* 12/2008 Sween et al. .... D3/301
- D589,267 S \* 3/2009 Pitot ..... D6/308

(Continued)

*Primary Examiner* — Philip S Hyder  
*Assistant Examiner* — Sydney Buffalow  
(74) *Attorney, Agent, or Firm* — William L. Chapin

(57) **CLAIM**  
The ornamental design for a cellphone mirror stand, as shown and described.

(56) **References Cited**

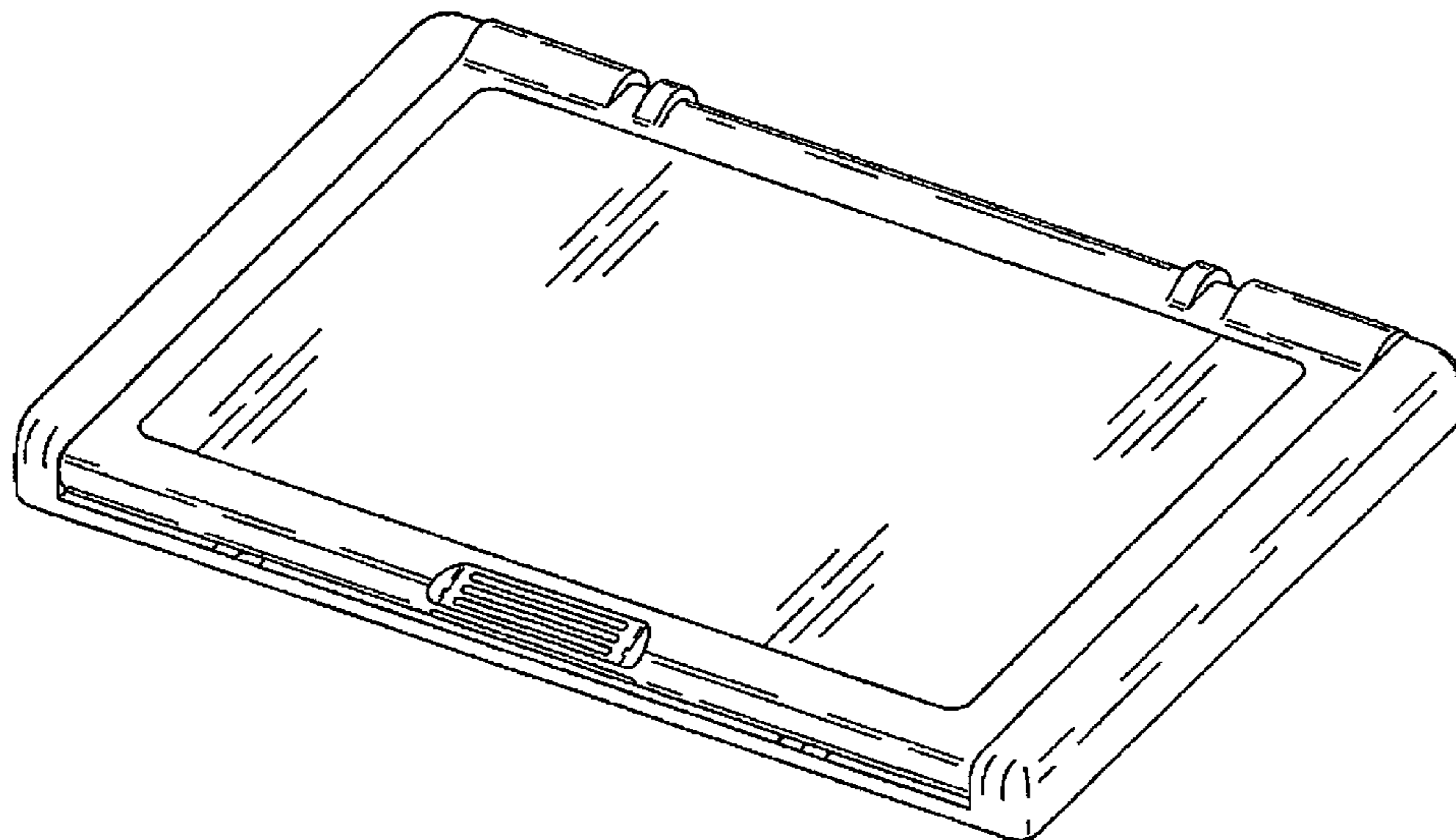
U.S. PATENT DOCUMENTS

- 1,464,127 A \* 8/1923 Chernoff ..... 132/297
- 1,512,005 A \* 10/1924 Wright ..... 132/301
- 1,714,376 A \* 5/1929 Kendall ..... 132/303
- D83,488 S \* 3/1931 Bell ..... D28/83
- 2,055,389 A \* 9/1936 Rosenberg ..... 132/306
- 2,056,935 A \* 10/1936 Esterow et al. .... 132/301
- 2,465,491 A \* 3/1949 Storch ..... 132/307
- 3,949,767 A \* 4/1976 Rose ..... 132/301
- 3,996,947 A \* 12/1976 Szpur et al. .... 132/316
- D267,983 S \* 2/1983 Cheung ..... D28/64.1
- 4,392,503 A \* 7/1983 Watanabe ..... 132/301
- D276,794 S \* 12/1984 Urion ..... D9/420
- D279,258 S \* 6/1985 Curtis ..... D9/731
- 4,681,127 A \* 7/1987 Gueret ..... 132/301
- 4,936,463 A \* 6/1990 Tiramani ..... 206/581
- D316,763 S \* 5/1991 Ferrari ..... D28/83
- D331,818 S \* 12/1992 Holahan et al. .... D28/82
- 5,218,978 A \* 6/1993 Yang et al. .... 132/304
- 5,611,362 A \* 3/1997 Duncan et al. .... 132/301
- D401,017 S \* 11/1998 Thorpe ..... D28/78
- 5,950,640 A \* 9/1999 Duncan et al. .... 132/305
- D449,165 S \* 10/2001 van der Hulst ..... D3/294

**DESCRIPTION**

FIG. 1 is a front perspective view of a cellphone mirror stand according to the present invention.  
FIG. 2 is a perspective view showing the cellphone mirror stand of FIG. 1 with a lid thereof opened and the cellphone mirror stand attached to a cellphone which is shown in phantom and not part of the present invention.  
FIG. 3 is a right side elevation view of the cellphone mirror stand of FIG. 1, the left side elevation view being a mirror image of the right side elevation view.  
FIG. 4 is a front elevation view thereof.  
FIG. 5 is a rear elevation view thereof.  
FIG. 6 is an upper plan view thereof; and,  
FIG. 7 is a lower plan view thereof.  
The broken lines shown in the drawings are directed to environment and are for information purposes only and form no part of the claimed design.

**1 Claim, 5 Drawing Sheets**



(56)

**References Cited**

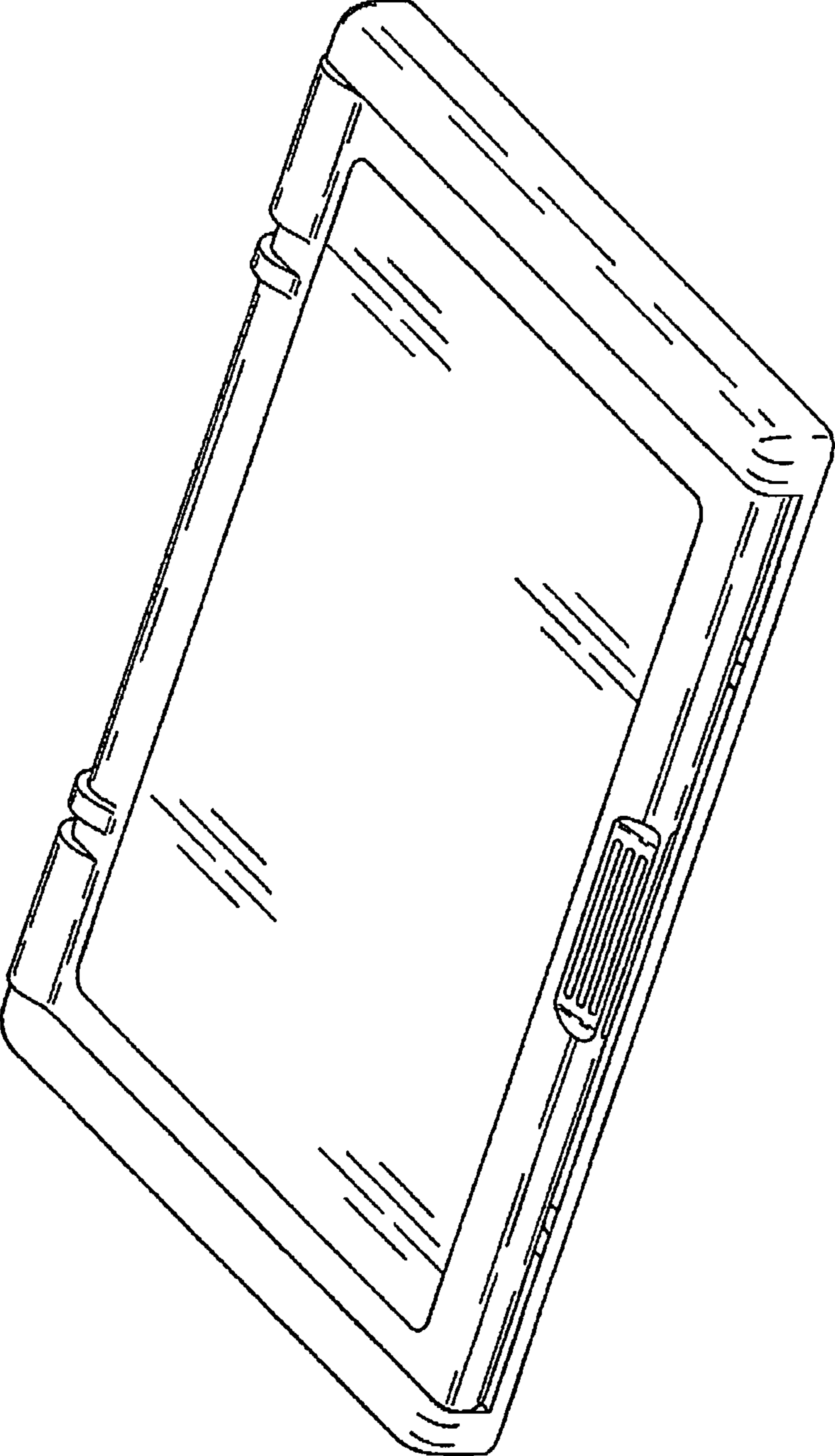
U.S. PATENT DOCUMENTS

D612,353 S \* 3/2010 Kim ..... D14/138 AB  
D612,827 S \* 3/2010 Song et al. .... D14/138 AB  
D625,283 S \* 10/2010 Okada et al. .... D14/138 AB  
D625,698 S \* 10/2010 Miyazaki et al. .... D14/138 AB  
D626,106 S \* 10/2010 Okada et al. .... D14/138 AB  
D627,519 S \* 11/2010 DeMarco ..... D28/83

D629,201 S \* 12/2010 Demarco ..... D3/294  
7,909,161 B2 \* 3/2011 Sween et al. .... 206/320  
D639,155 S \* 6/2011 Fine et al. .... D9/426  
D642,908 S \* 8/2011 Fine et al. .... D9/426  
D644,510 S \* 9/2011 Fine et al. .... D9/426  
D648,689 S \* 11/2011 Mehlsen ..... D14/125  
D651,993 S \* 1/2012 Cheng ..... D14/125

\* cited by examiner

Fig. 1



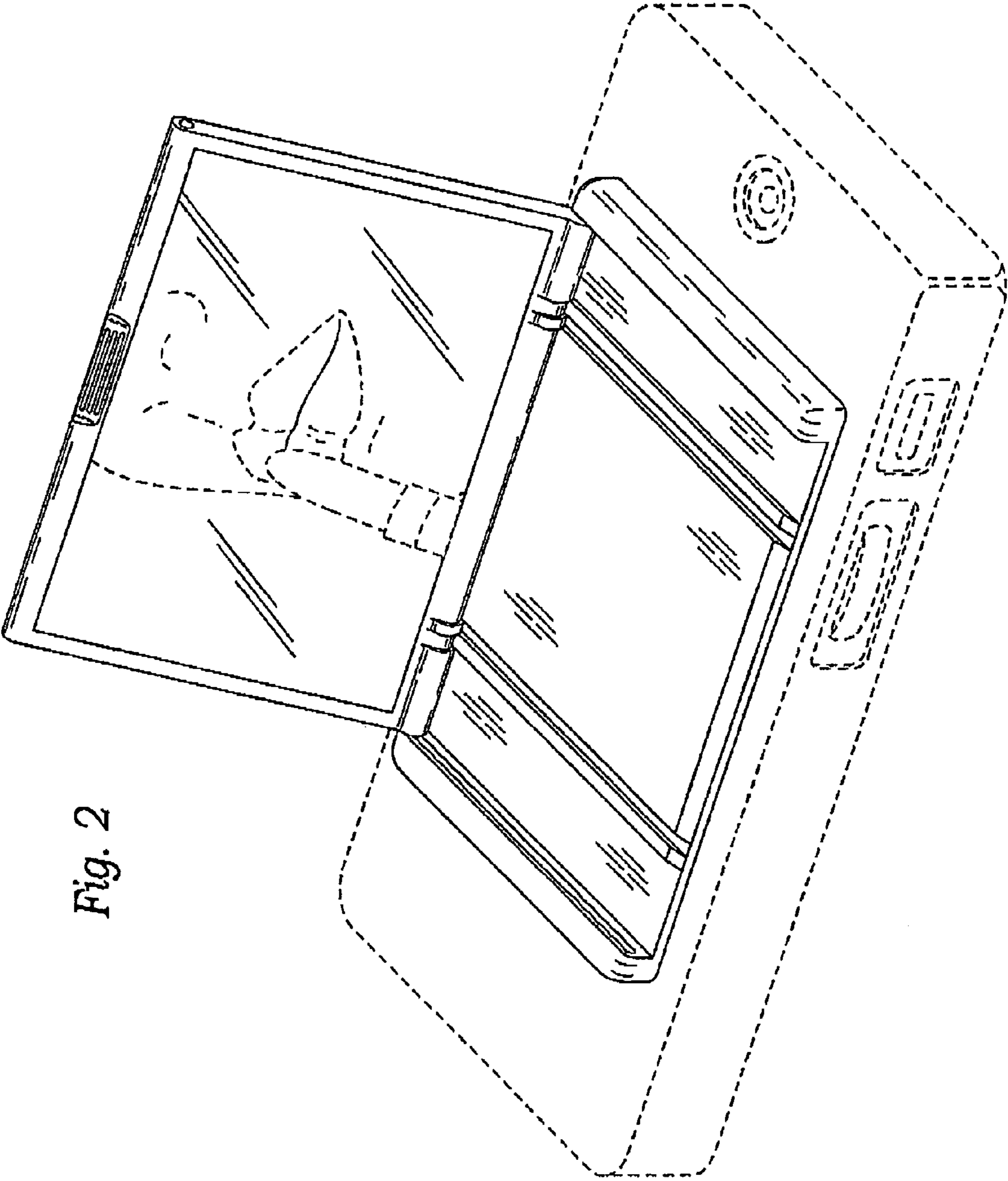


Fig. 2



Fig. 3



Fig. 4



Fig. 5

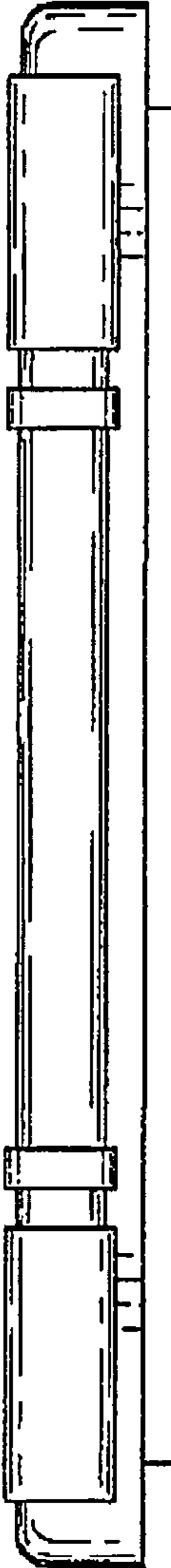


Fig. 6

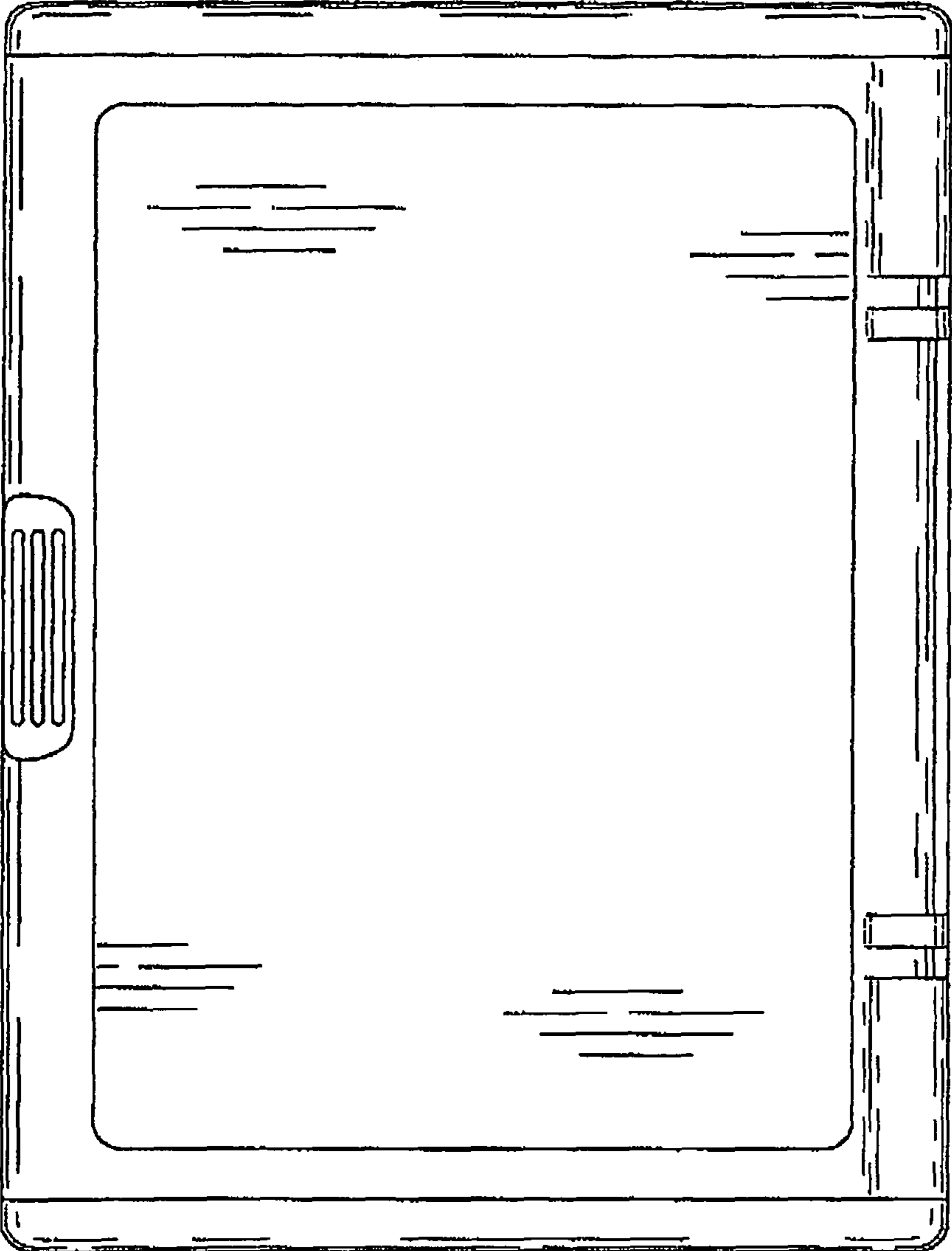


Fig. 7

