



US00D689284S

(12) **United States Design Patent**
Weitzel

(10) **Patent No.:** **US D689,284 S**

(45) **Date of Patent:** **** Sep. 10, 2013**

(54) **LIGHTWEIGHT CARRIER FOR A LAPTOP
COMPUTER OR SIMILAR ITEM HAVING A
PADDED HANDLE**

(76) Inventor: **Scott Allen Weitzel**, Fort Collins, CO
(US)

(**) Term: **14 Years**

(21) Appl. No.: **29/400,425**

(22) Filed: **Aug. 27, 2011**

(51) **LOC (9) Cl.** **03-01**

(52) **U.S. Cl.**
USPC **D3/315**

(58) **Field of Classification Search**
USPC D3/315, 318; 294/148, 157
See application file for complete search history.

(56) **References Cited**

U.S. PATENT DOCUMENTS

3,923,222	A *	12/1975	Groves	294/157
5,645,307	A *	7/1997	Wengler	294/157
D460,620	S *	7/2002	Smithey	D3/315
7,270,358	B2 *	9/2007	Hirsch	294/157
D587,455	S *	3/2009	Goss	D3/315

OTHER PUBLICATIONS

U.S. Appl. No. 29/354,951, abandoned, Scott Weitzel.
U.S. Appl. No. 12/692,631, filed Jul. 28, 2011, Scott Weitzel.

* cited by examiner

Primary Examiner — Holly Baynham

(57) **CLAIM**

The ornamental design for a lightweight carrier for a laptop or similar item having a padded handle, as shown and described.

DESCRIPTION

FIG. 1 is a perspective view illustrating a new design of a lightweight carrier for a laptop or similar item having a padded handle;

FIG. 2 is a left view thereof;

FIG. 3 is a right view thereof;

FIG. 4 is a top view thereof;

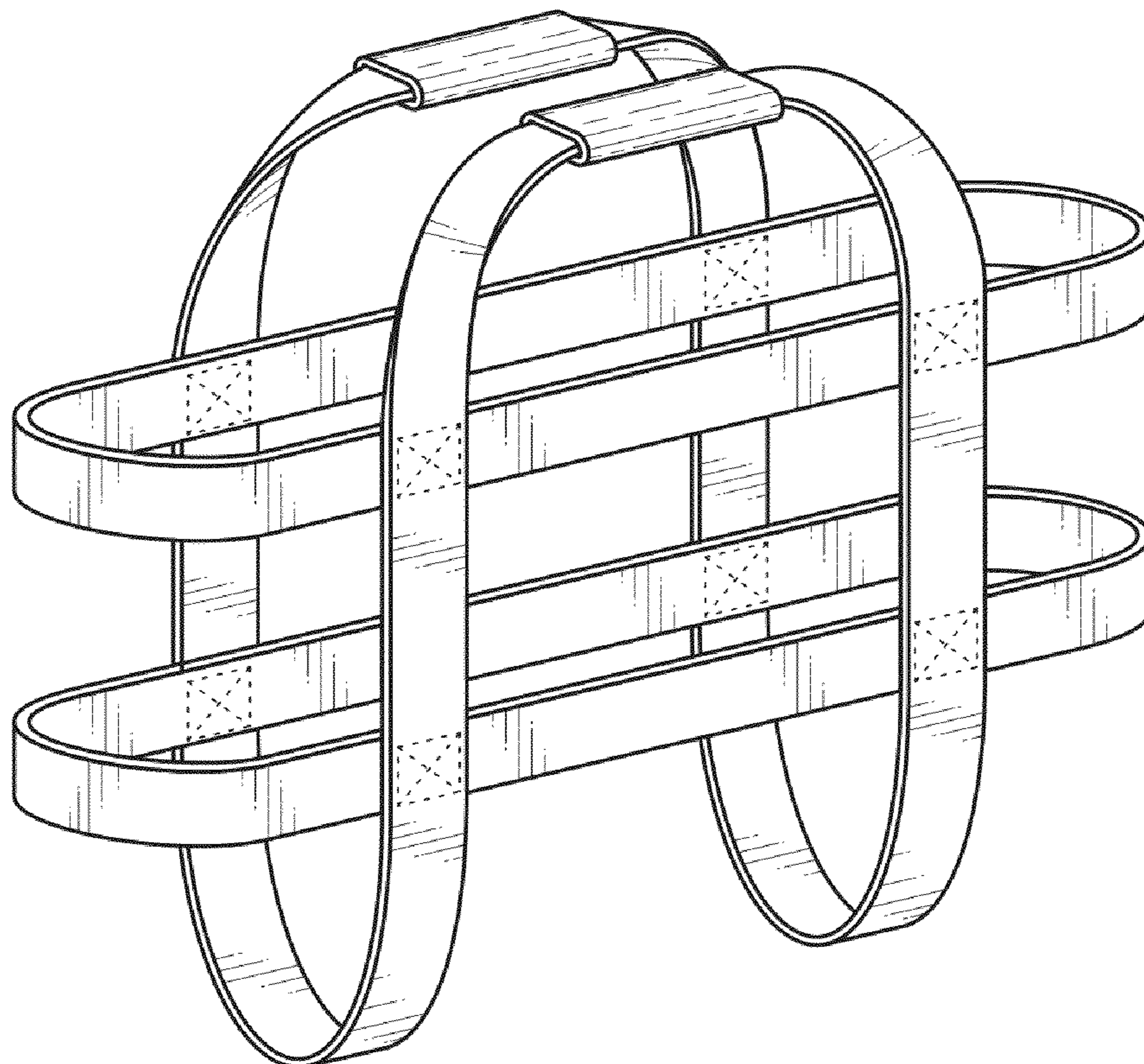
FIG. 5 is a bottom view thereof;

FIG. 6 is a front view thereof; and,

FIG. 7 is a back view thereof.

The broken lines showing stitching are for the purposes of illustrating environment and form no part of the claimed design.

1 Claim, 2 Drawing Sheets



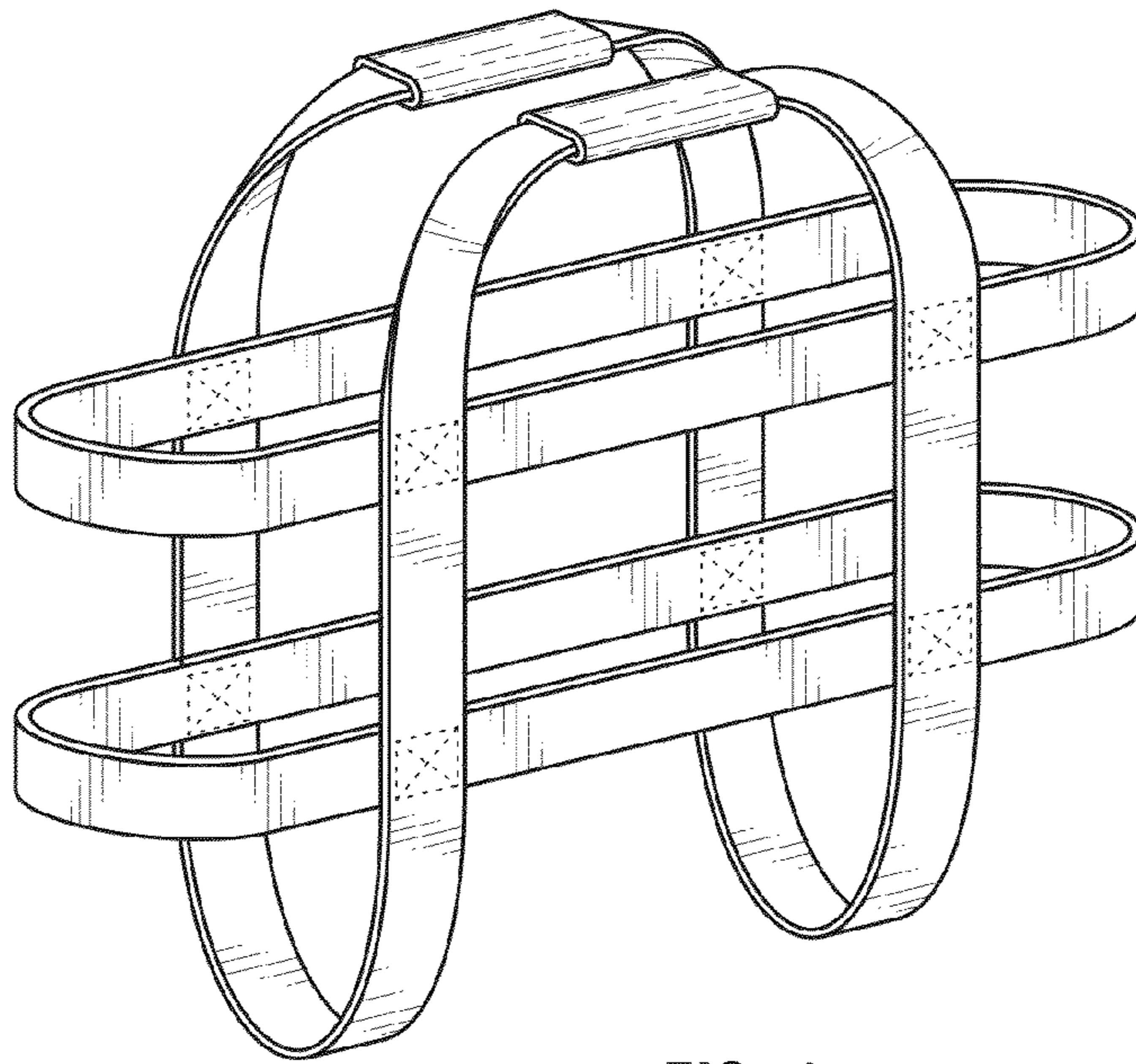


FIG. 1

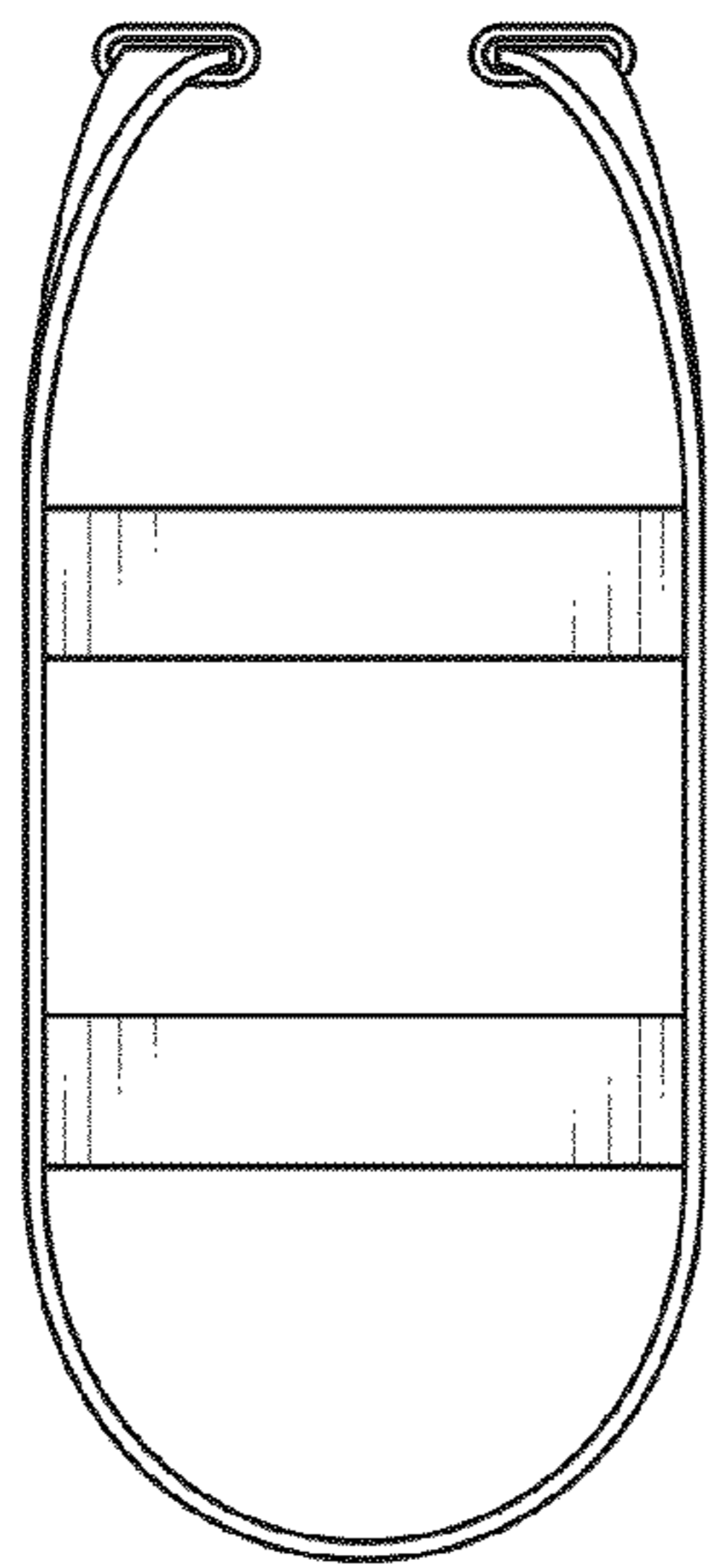


FIG. 2

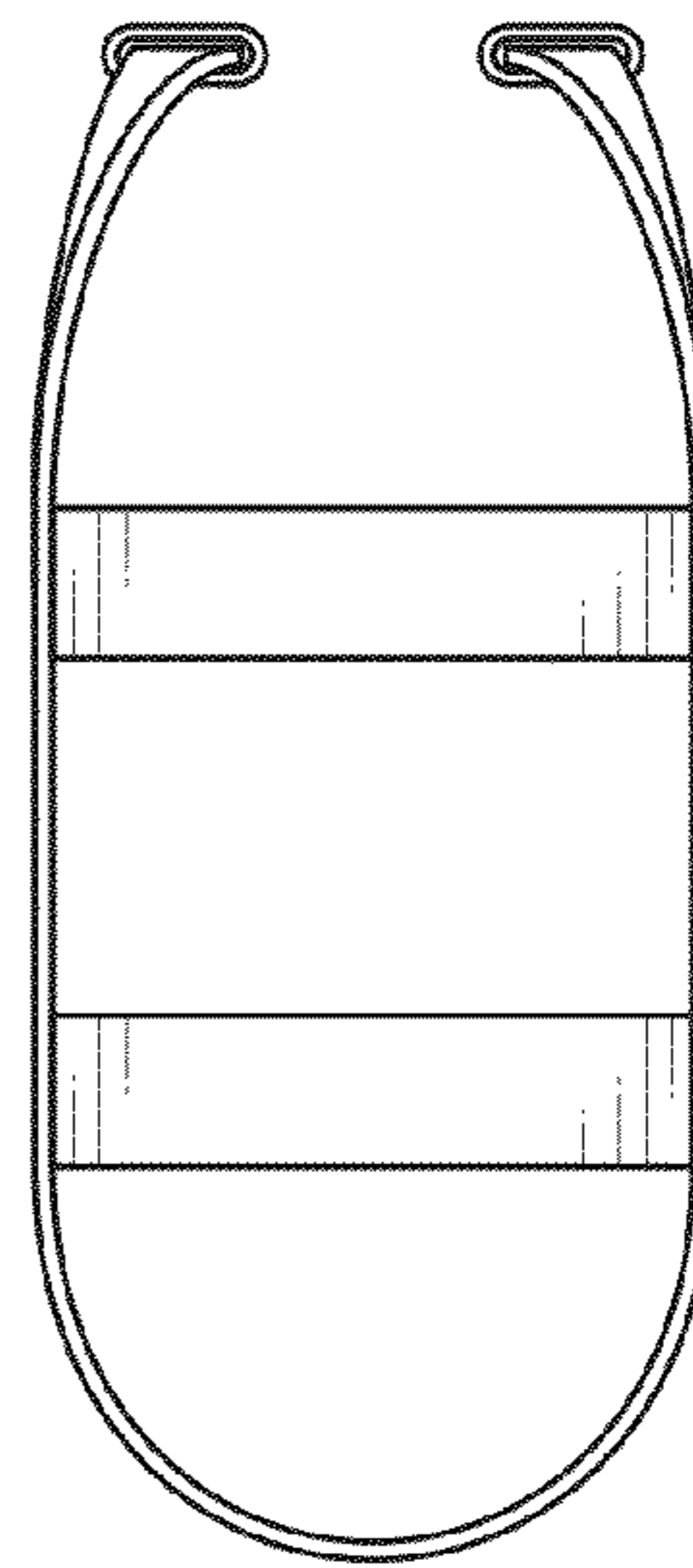


FIG. 3

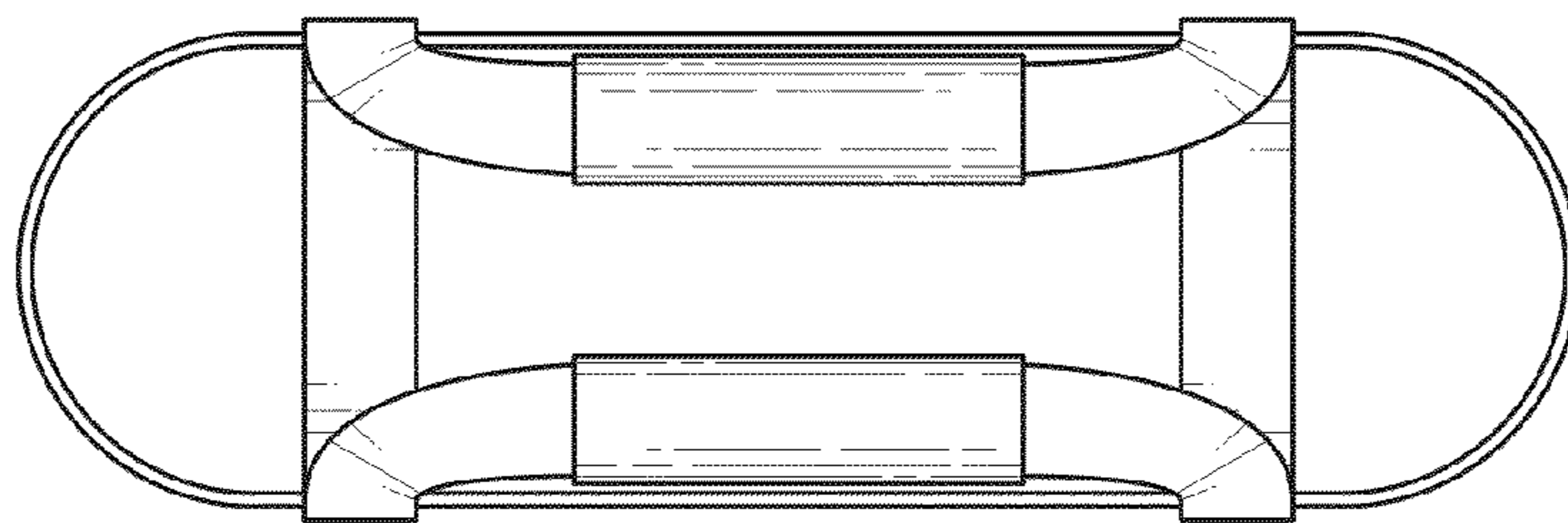


FIG. 4

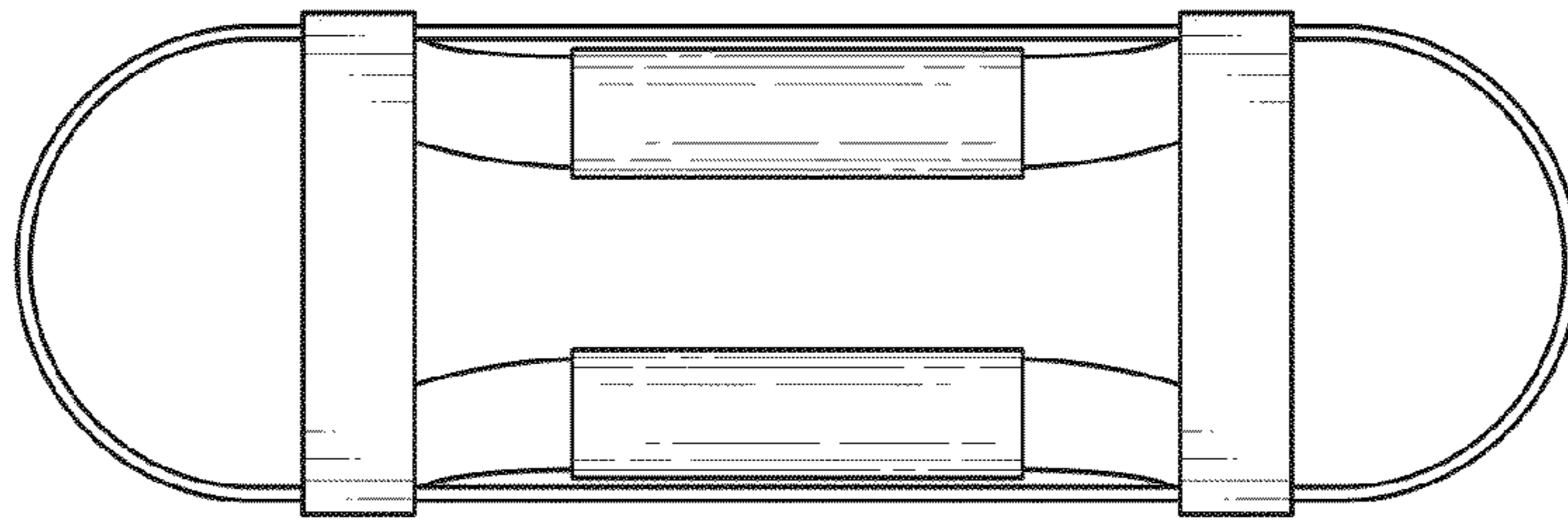


FIG. 5

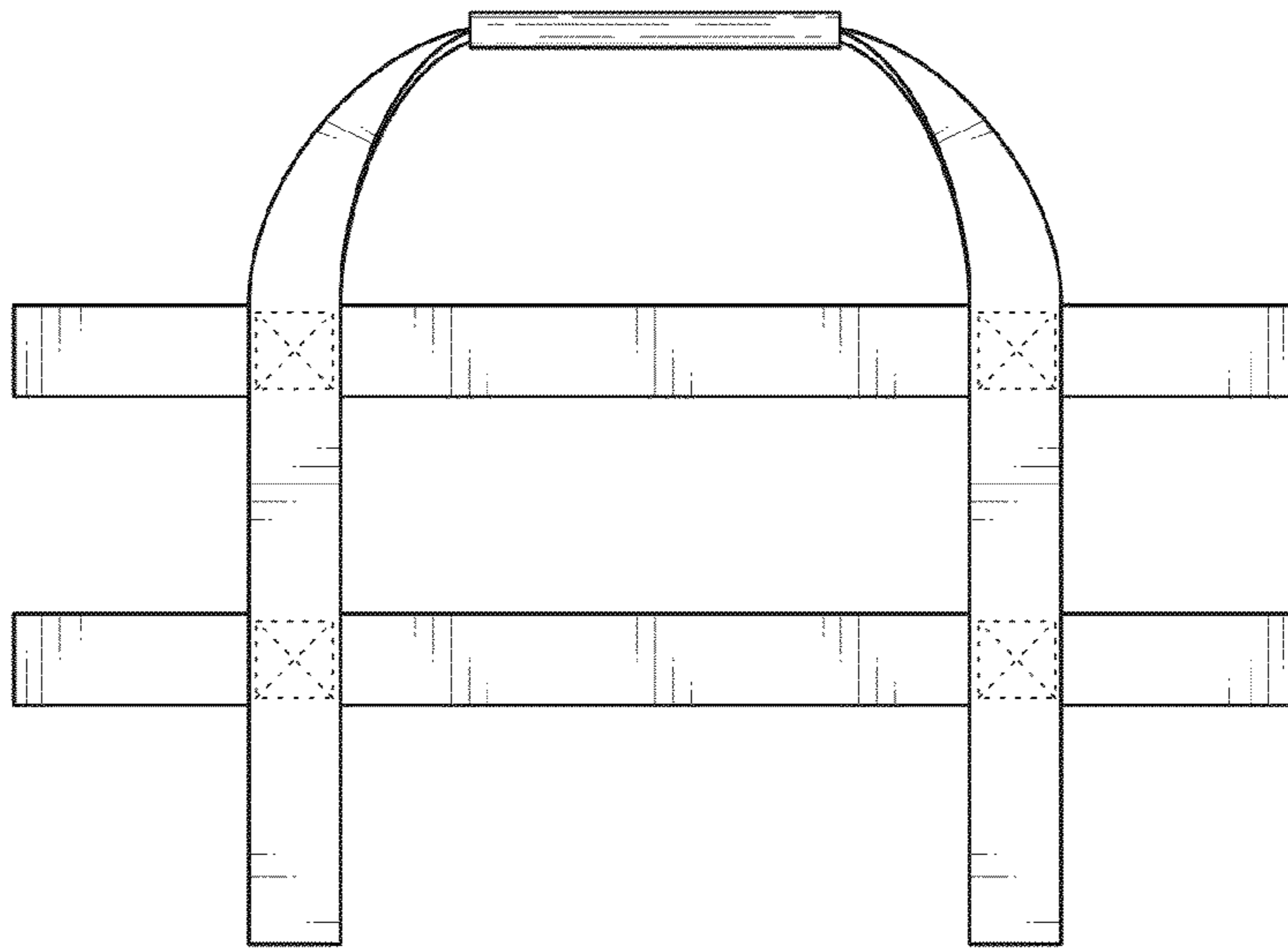


FIG. 6

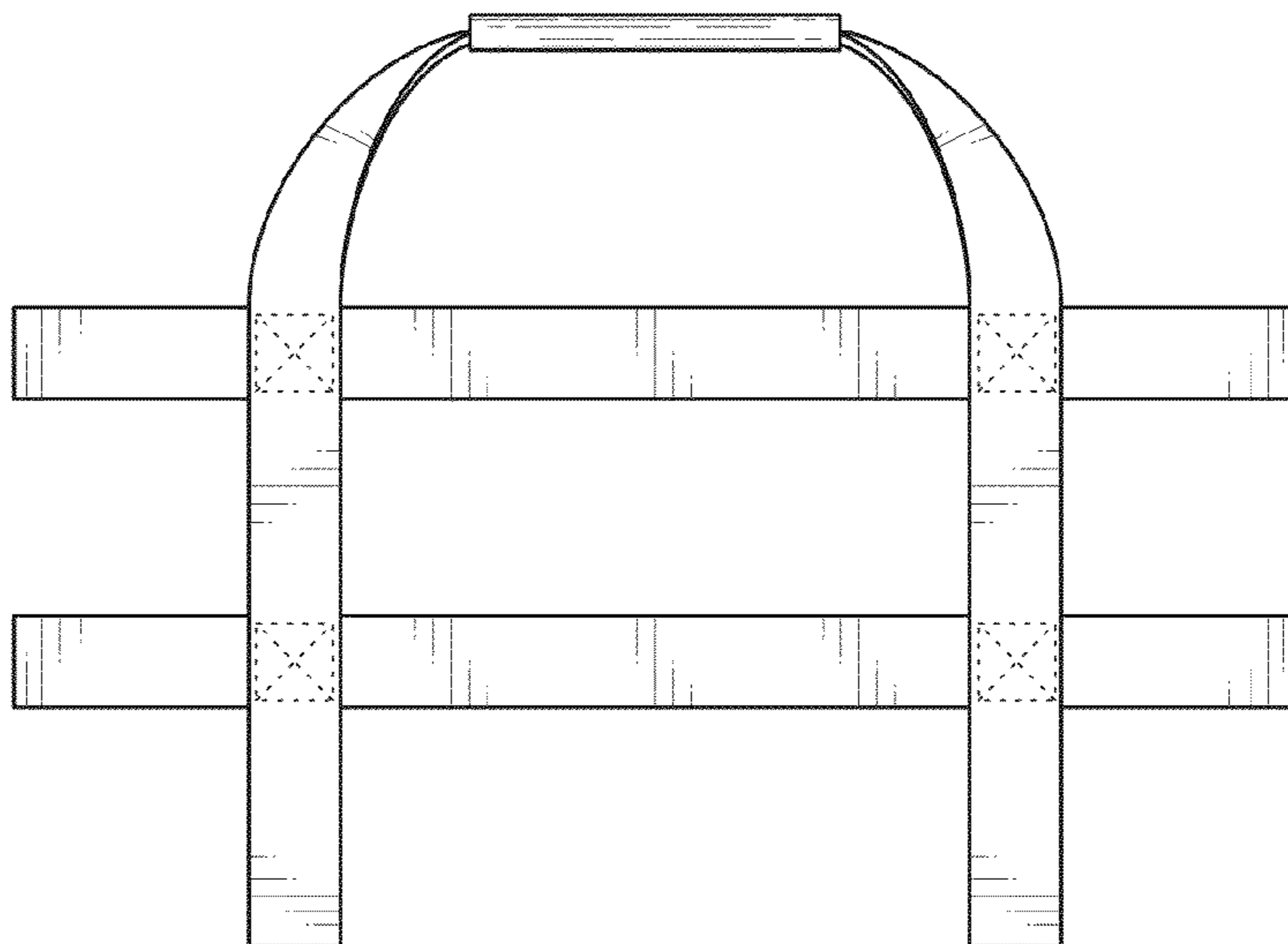


FIG. 7