



US00D689283S

(12) **United States Design Patent**  
**Berkowitz**

(10) **Patent No.:** **US D689,283 S**

(45) **Date of Patent:** **\*\* Sep. 10, 2013**

(54) **BOTTLE CARRIER**

(71) Applicant: **Daniel Berkowitz**, Devon, PA (US)

(72) Inventor: **Daniel Berkowitz**, Devon, PA (US)

(\*\*) Term: **14 Years**

(21) Appl. No.: **29/445,662**

(22) Filed: **Feb. 14, 2013**

7,222,649 B1 \* 5/2007 Fox ..... 150/105  
D547,058 S \* 7/2007 Power ..... D3/232  
D574,148 S \* 8/2008 Roth et al. .... D3/242

\* cited by examiner

*Primary Examiner* — Holly Baynham

(74) *Attorney, Agent, or Firm* — John F. A. Earley, III; Frank J. Bonini, Jr.; Harding, Earley, Follmer & Frailey, P.C.

(57) **CLAIM**

An ornamental design for a bottle carrier, as shown and described.

**DESCRIPTION**

FIG. 1 is a perspective view of a bottle carrier according to my new design, shown with the closure and handle in broken line representation and forming no part of the design;

FIG. 2 is a front elevation view thereof;

FIG. 3 is a rear elevation view thereof;

FIG. 4 is a right side elevation view thereof;

FIG. 5 is a left side elevation view thereof;

FIG. 6 is a top plan view thereof;

FIG. 7 is a bottom plan view thereof; and,

FIG. 8 is a top plan view of an alternate embodiment of a bottle carrier shown in an opened condition, whose views in the closed condition are those shown in FIGS. 1-7;

FIG. 9 is a side view of the bottle carrier of FIG. 8 in the opened position; and,

FIG. 10 is an opposite side view of the bottle carrier of FIG. 8 in the opened position.

The broken lines showing the handle, the closure and interior of the carrier are for the purposes of illustrating environment and form no part of the claimed design.

**Related U.S. Application Data**

(62) Division of application No. 29/372,883, filed on Jan. 28, 2011, now Pat. No. Des. 679,092.

(51) **LOC (9) Cl.** ..... **03-01**

(52) **U.S. Cl.**  
USPC ..... **D3/294**

(58) **Field of Classification Search**

USPC ..... D3/272-273, 294, 229; 206/278,  
206/457, 215, 555, 1.5, 235, 265

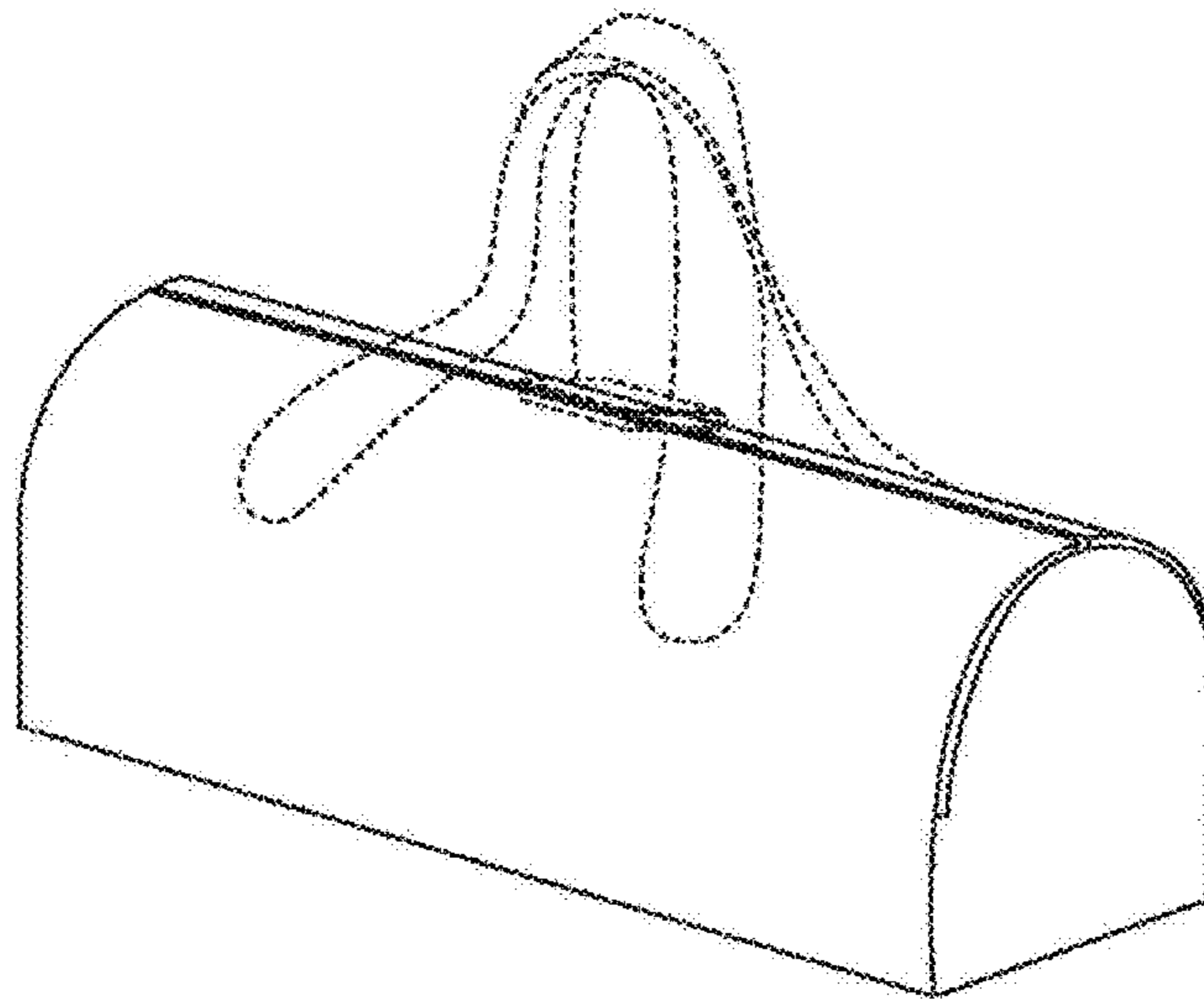
See application file for complete search history.

(56) **References Cited**

**U.S. PATENT DOCUMENTS**

4,799,521 A \* 1/1989 Shick ..... 150/107  
D420,794 S \* 2/2000 Kohlhase ..... D3/246  
D472,045 S \* 3/2003 Nieves ..... D3/233  
D485,680 S \* 1/2004 Hasenfrantz ..... D3/265  
D501,313 S \* 2/2005 Kim ..... D3/238  
D532,968 S \* 12/2006 Roth et al. .... D3/242

**1 Claim, 3 Drawing Sheets**



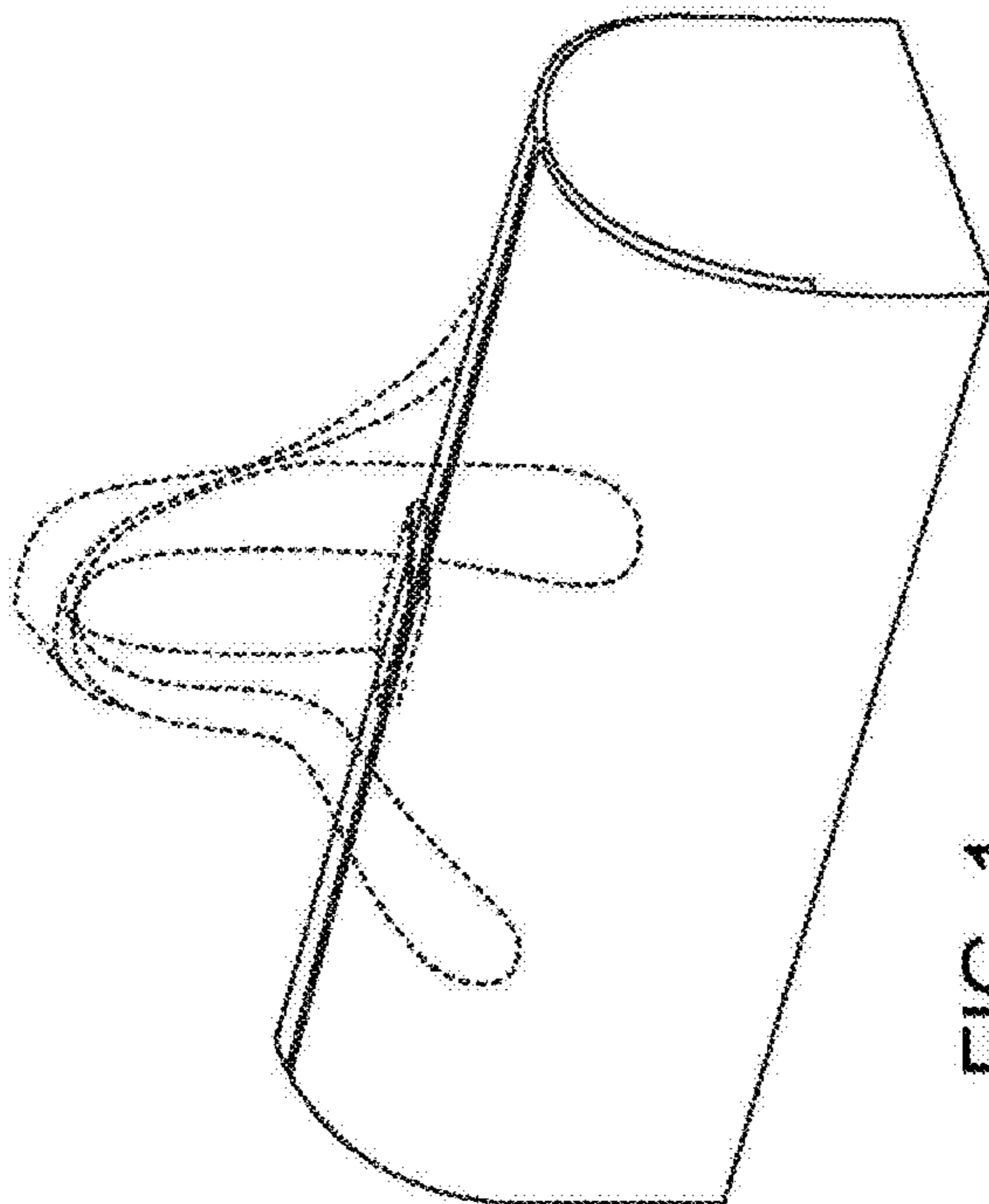


FIG. 1

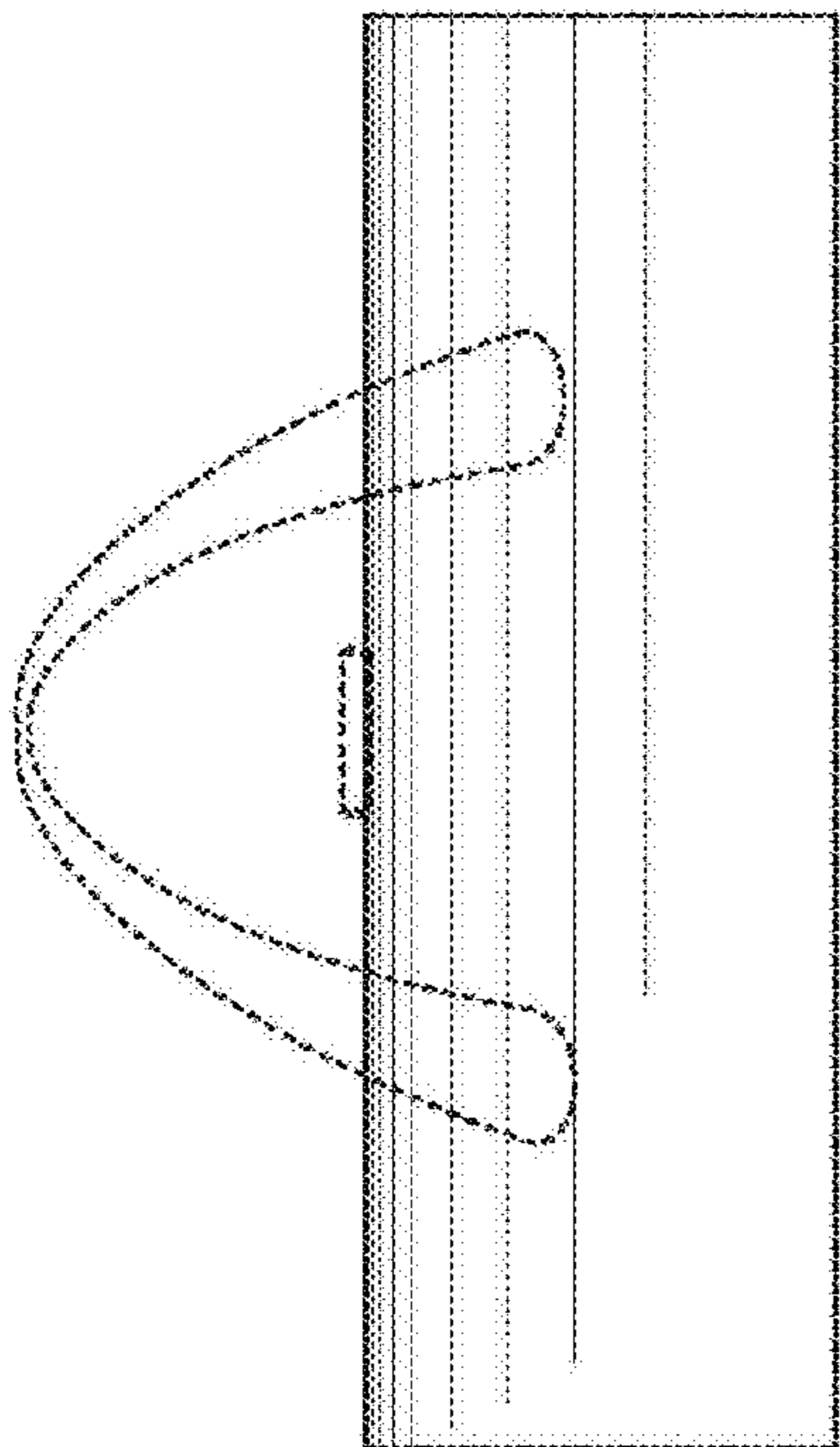


FIG. 2

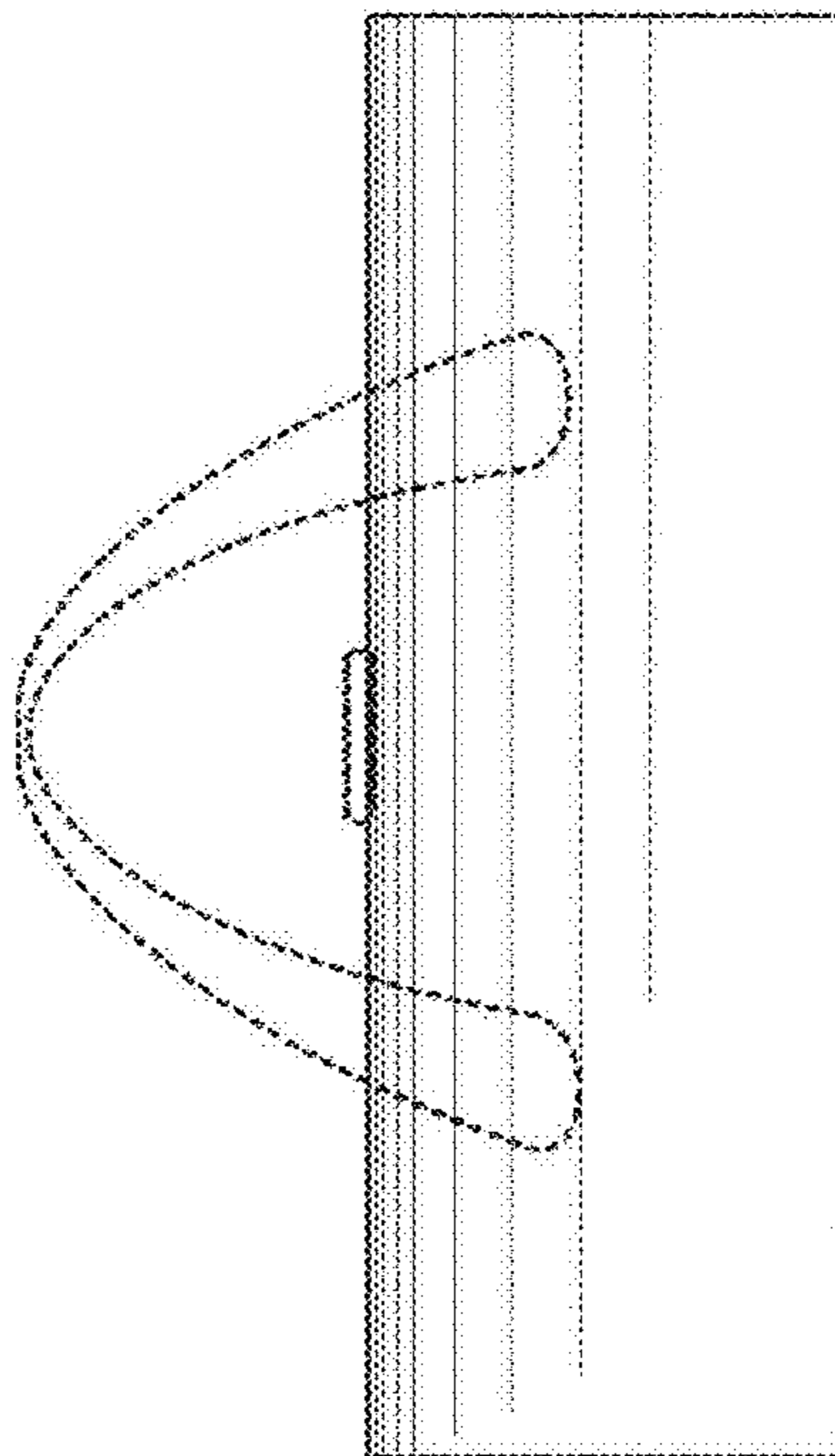


FIG. 3

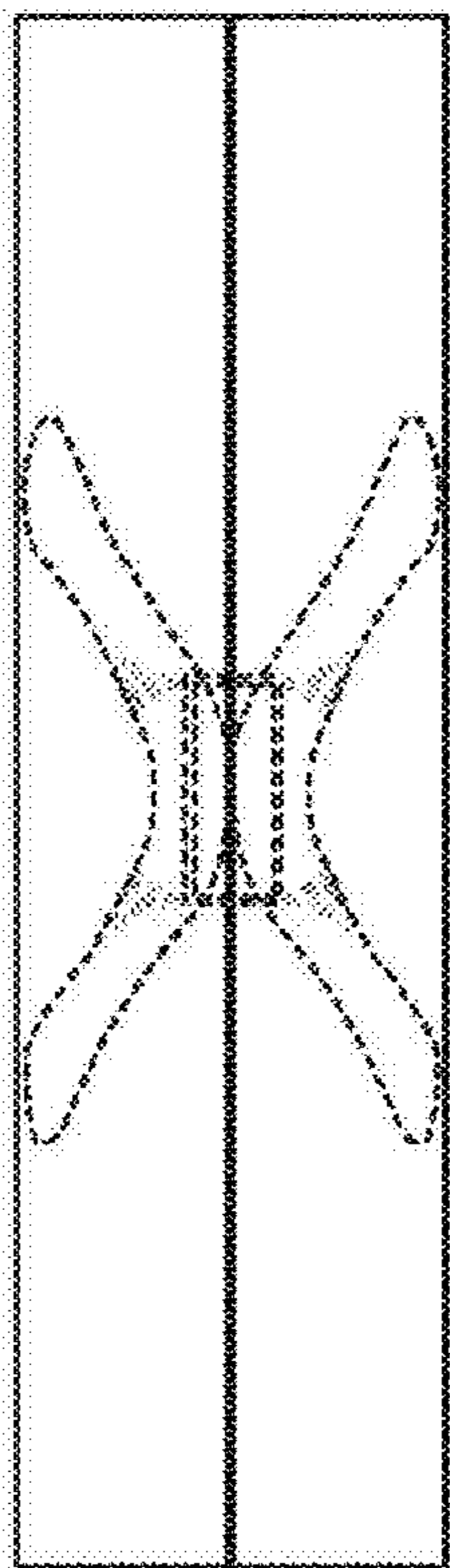


FIG. 6

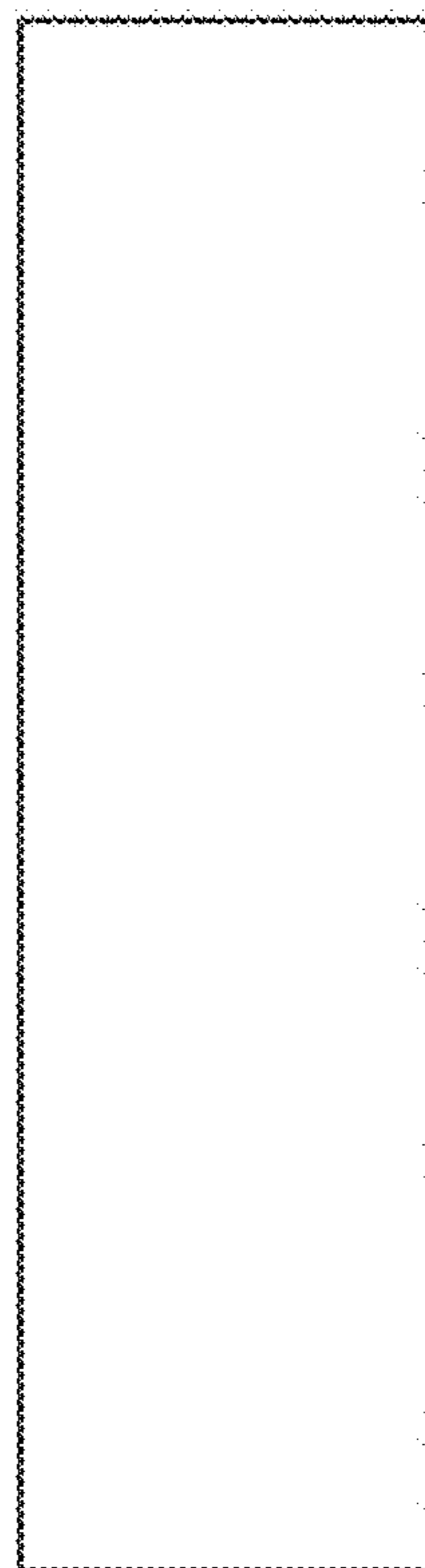


FIG. 7

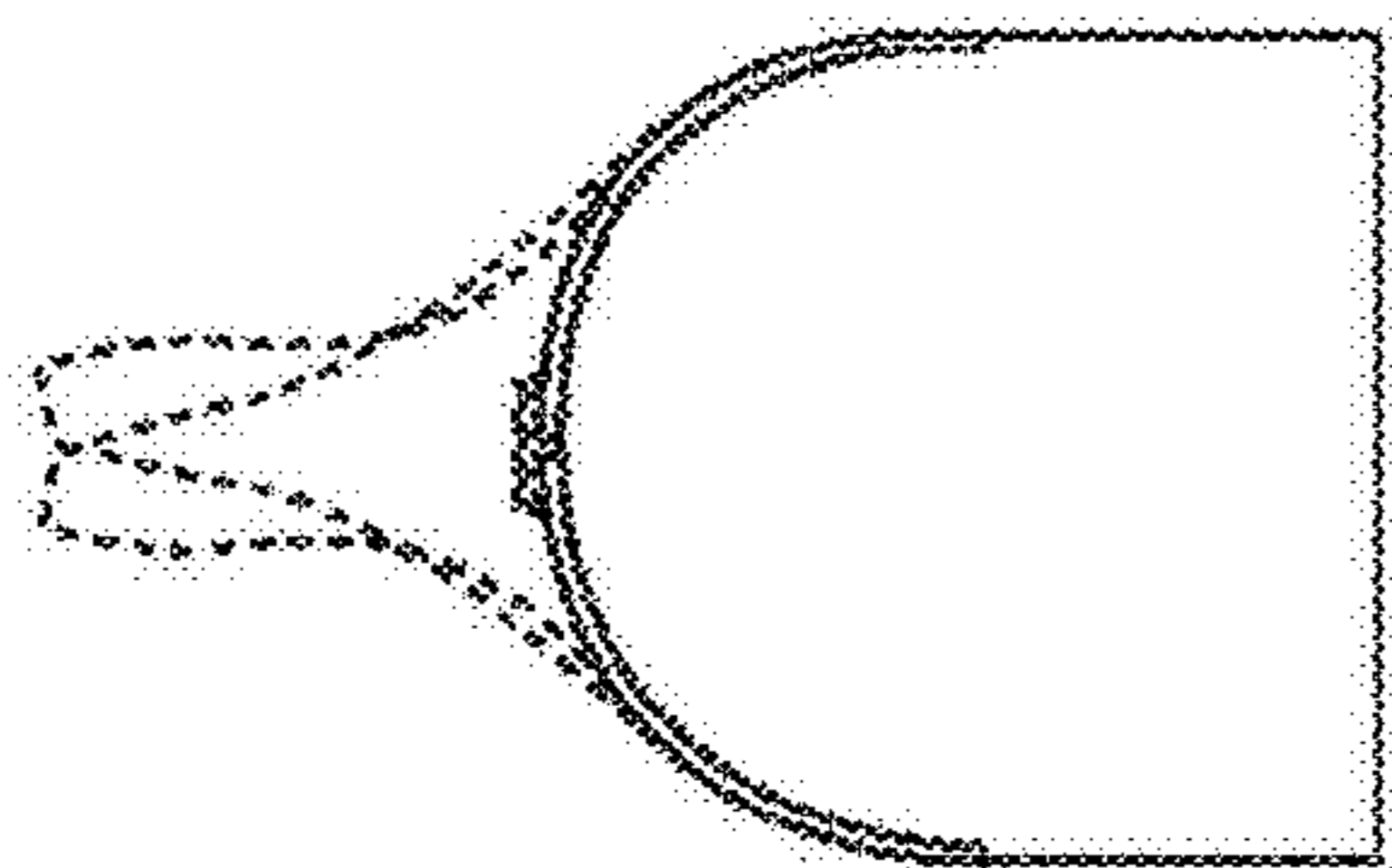


FIG. 4

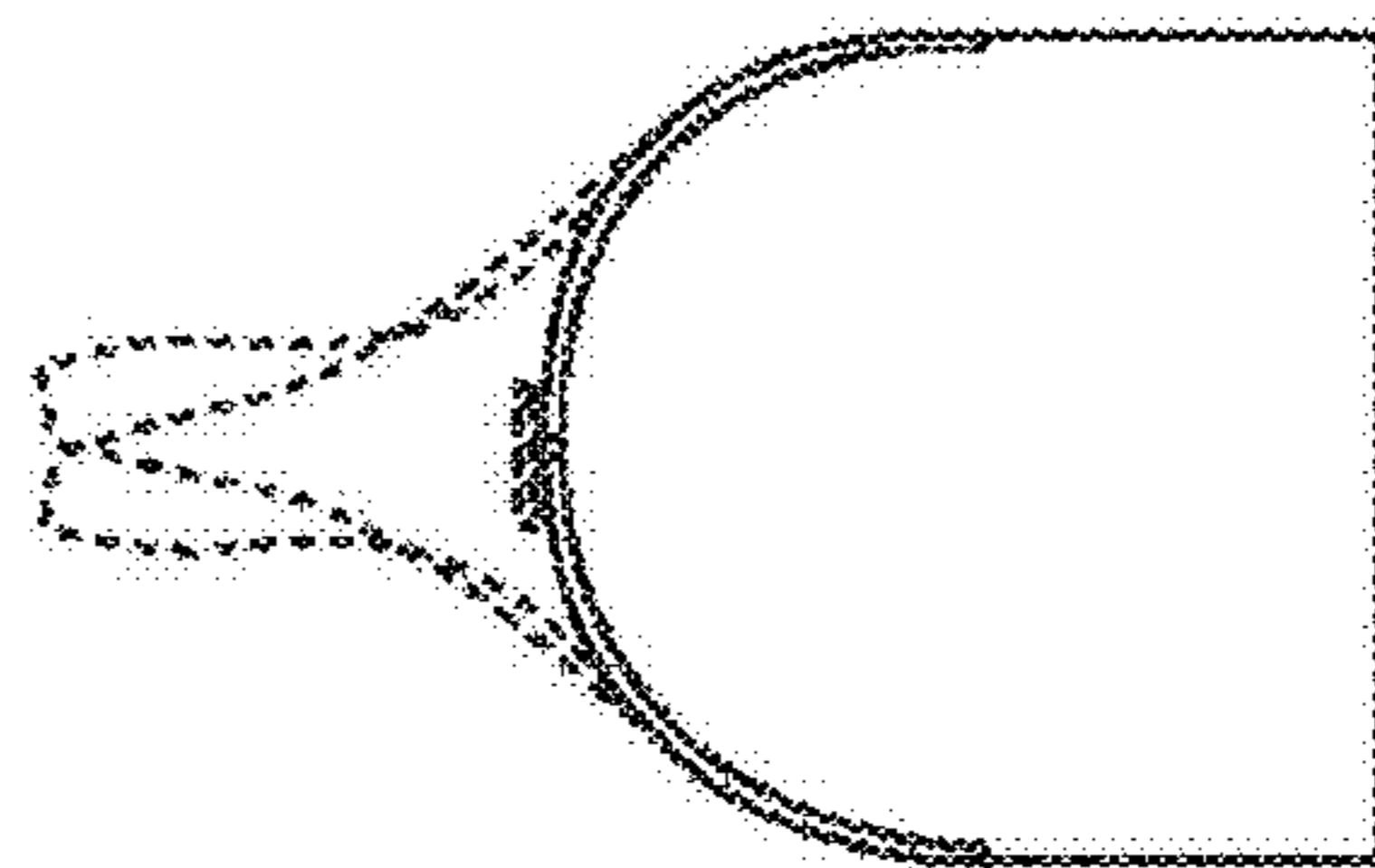


FIG. 5

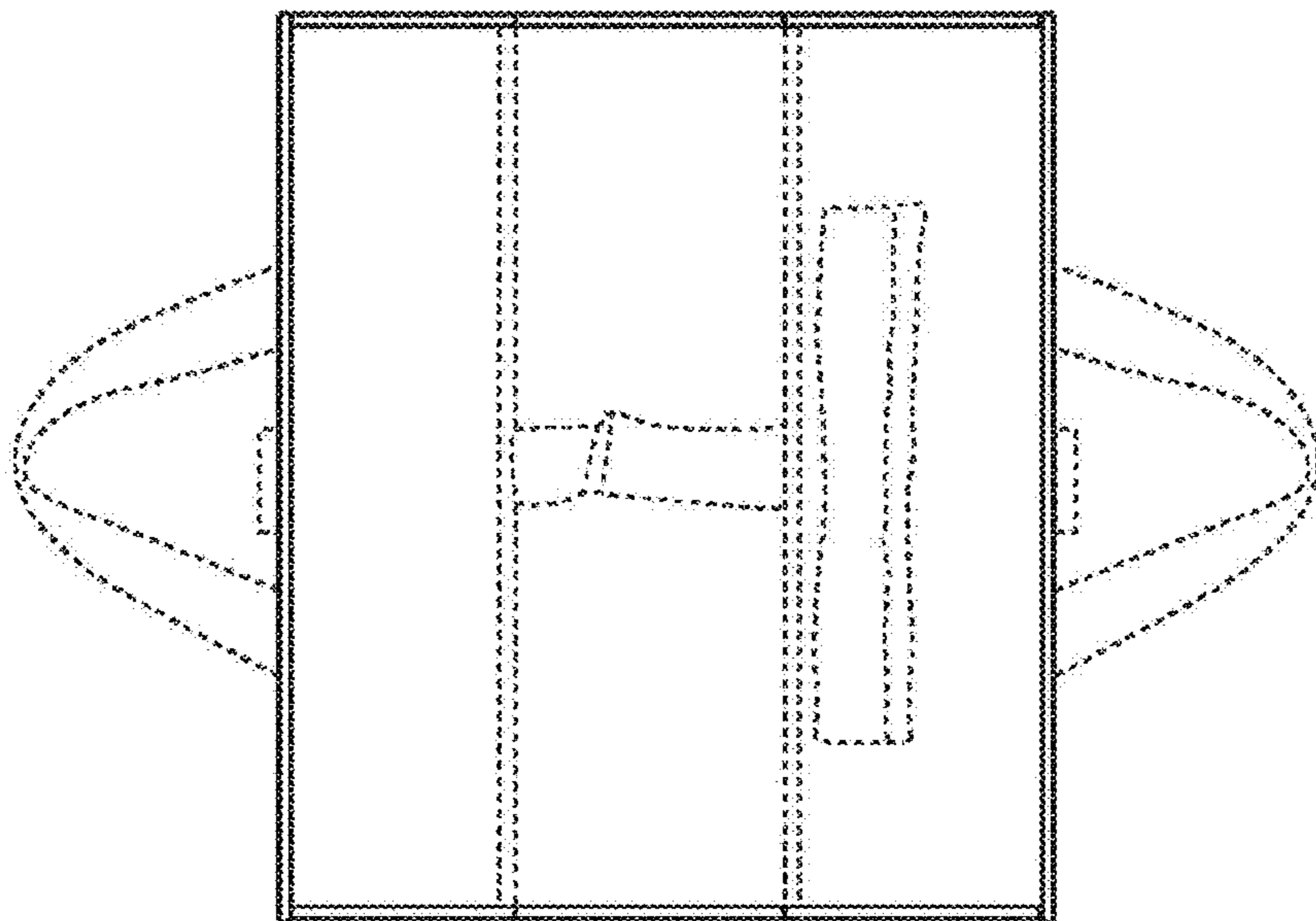


FIG. 8

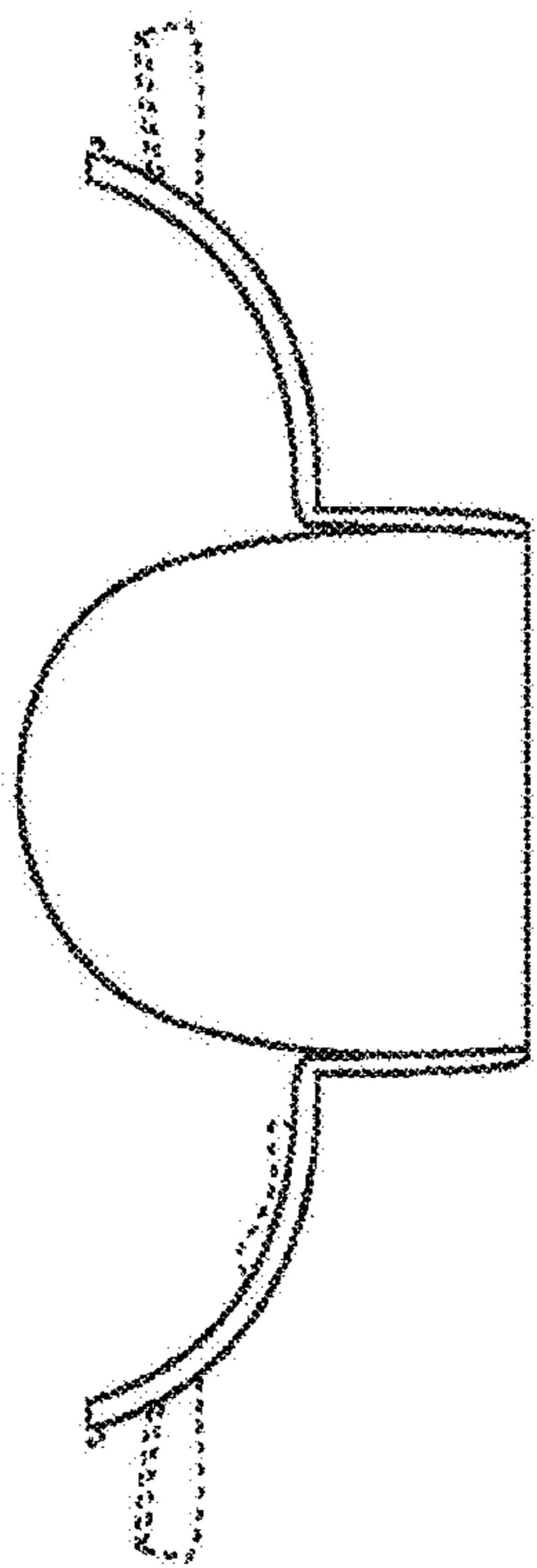


FIG. 9

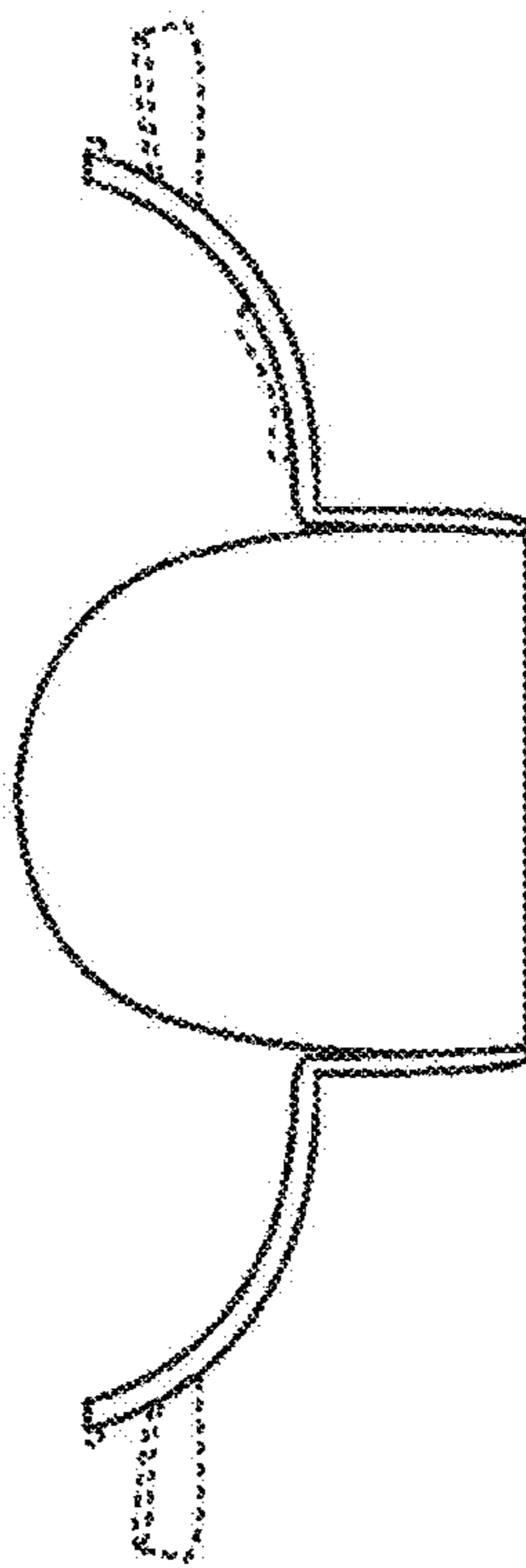


FIG. 10