



US00D689282S

(12) **United States Design Patent**
Lindeman

(10) **Patent No.:** **US D689,282 S**

(45) **Date of Patent:** **** Sep. 10, 2013**

(54) **BAG**

(76) Inventor: **Dorothy R. Lindeman**, Fullerton, CA
(US)

(**) Term: **14 Years**

(21) Appl. No.: **29/408,157**

(22) Filed: **Dec. 7, 2011**

(51) **LOC (9) Cl.** **03-01**

(52) **U.S. Cl.**
USPC **D3/231**

(58) **Field of Classification Search**
USPC D3/231, 224, 232, 246; 150/100,
150/103-110, 113-114, 117-119
See application file for complete search history.

(56) **References Cited**

U.S. PATENT DOCUMENTS

D238,619	S *	1/1976	Barad	D3/303
D264,895	S *	6/1982	Hoefert	D3/303
D283,938	S *	5/1986	Strongwater	D99/34
4,871,100	A	10/1989	Posner		
D306,520	S *	3/1990	McCarthy	D3/303
5,046,860	A	9/1991	Brennan		
D332,697	S *	1/1993	Schildkraut	D3/303
5,182,895	A	2/1993	Lugo		
D354,394	S *	1/1995	Novak	D3/246
5,439,154	A *	8/1995	Delligatti	224/601
D362,748	S *	10/1995	Schildkraut	D3/20
5,855,412	A	1/1999	Smith et al.		
6,206,224	B1	3/2001	Potts et al.		
D547,946	S *	8/2007	Johnson	D3/246
D572,006	S *	7/2008	Preston et al.	D3/303
7,887,068	B2	2/2011	Ferguson		
7,934,596	B1	5/2011	Aycock		
7,958,920	B1	6/2011	Olsson		

2006/0097467	A1	5/2006	Solomon et al.
2009/0290816	A1	11/2009	Nathan et al.
2009/0314678	A1	12/2009	Stein
2010/0104223	A1	4/2010	Hickey et al.
2010/0158414	A1	6/2010	Michailidis
2010/0193383	A1	8/2010	Parness
2011/0147152	A1	6/2011	Abdill
2011/0180577	A1	7/2011	Woodward
2011/0186470	A1	8/2011	Ganti

* cited by examiner

Primary Examiner — Holly Baynham

(74) *Attorney, Agent, or Firm* — Fish & Associates, PC

(57) **CLAIM**

The ornamental design of a bag, as shown and described.

DESCRIPTION

FIG. 1 is an environmental top, front, right side perspective view of a bag;

FIG. 2 is an enlarged, environmental perspective view thereof;

FIG. 3 is a right side elevation view thereof (left side being a mirror image);

FIG. 4 is a rear elevation view thereof (front view being a mirror image);

FIG. 5 is a top elevation view thereof;

FIG. 6 is a bottom plan elevation view thereof;

FIG. 7 is a top, front, left side perspective view in a flattened position; and,

FIG. 8 is a top elevation view in a flattened position.

The dot dashed broken lines showing a bottle, a shopping cart and another broken line structure are for the purposes of illustrating environment and form no part of the claimed design. The evenly spaced broken lines represent stitching and are a part of the claimed design.

1 Claim, 4 Drawing Sheets

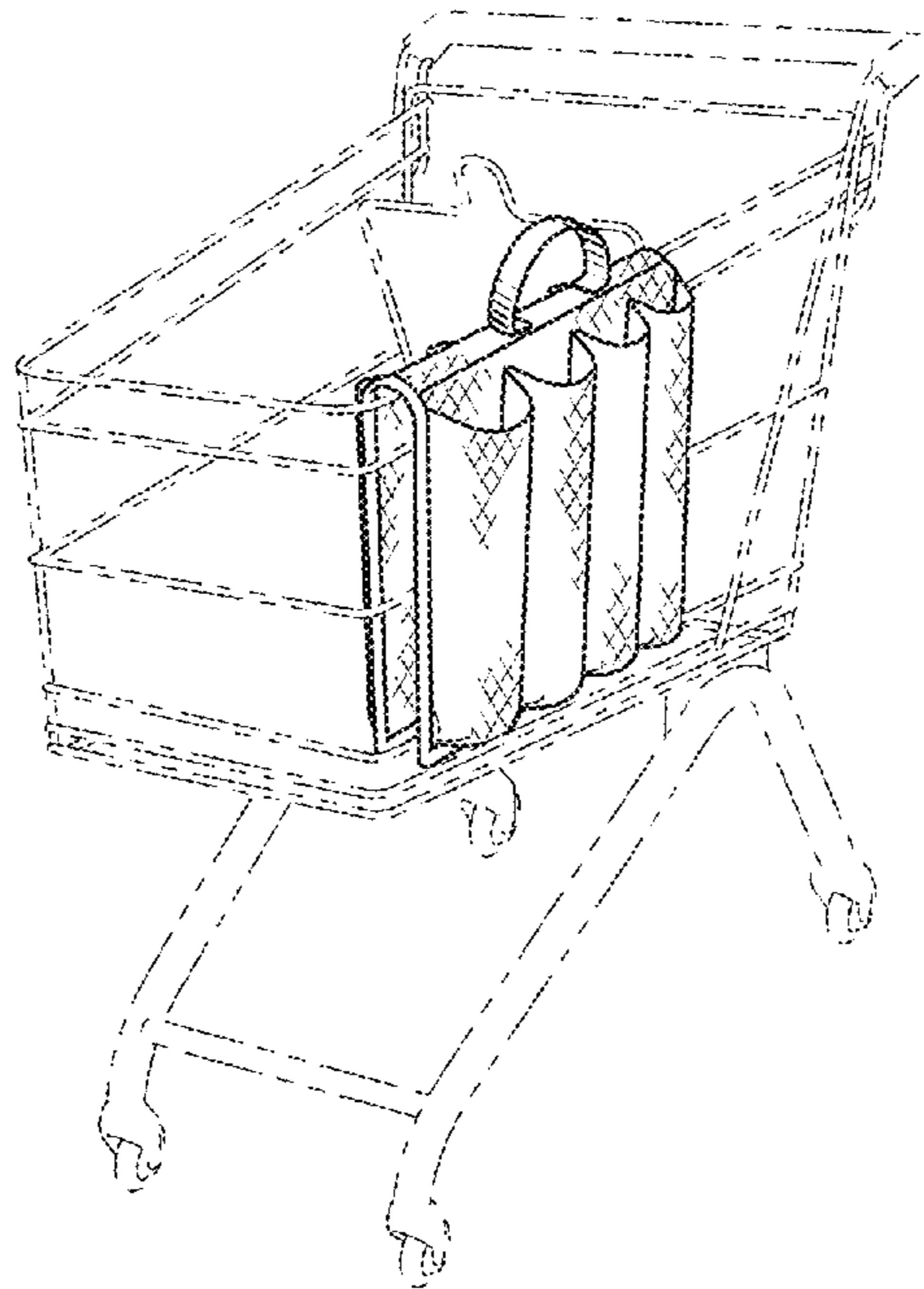


FIG. 1

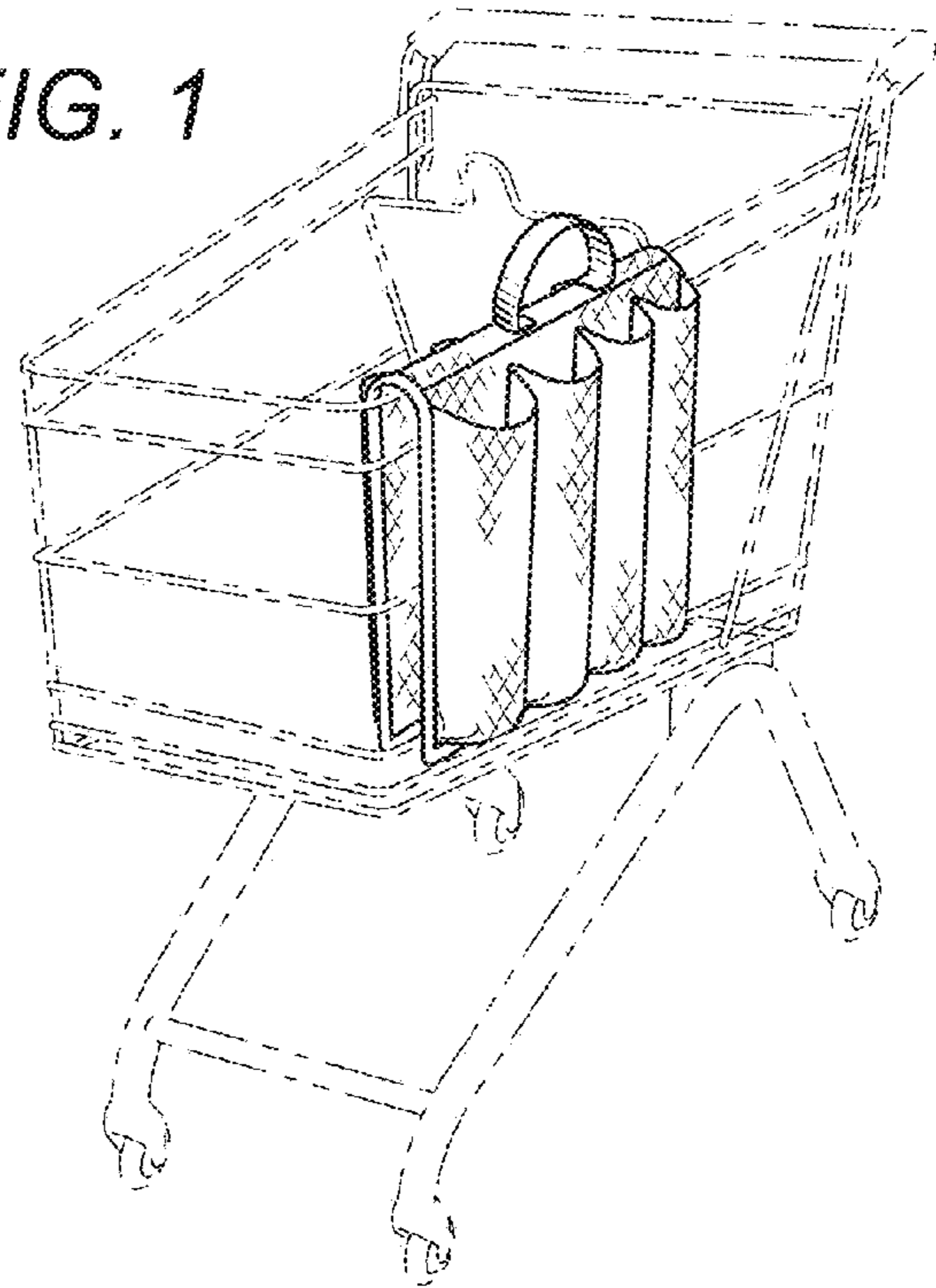


FIG. 2

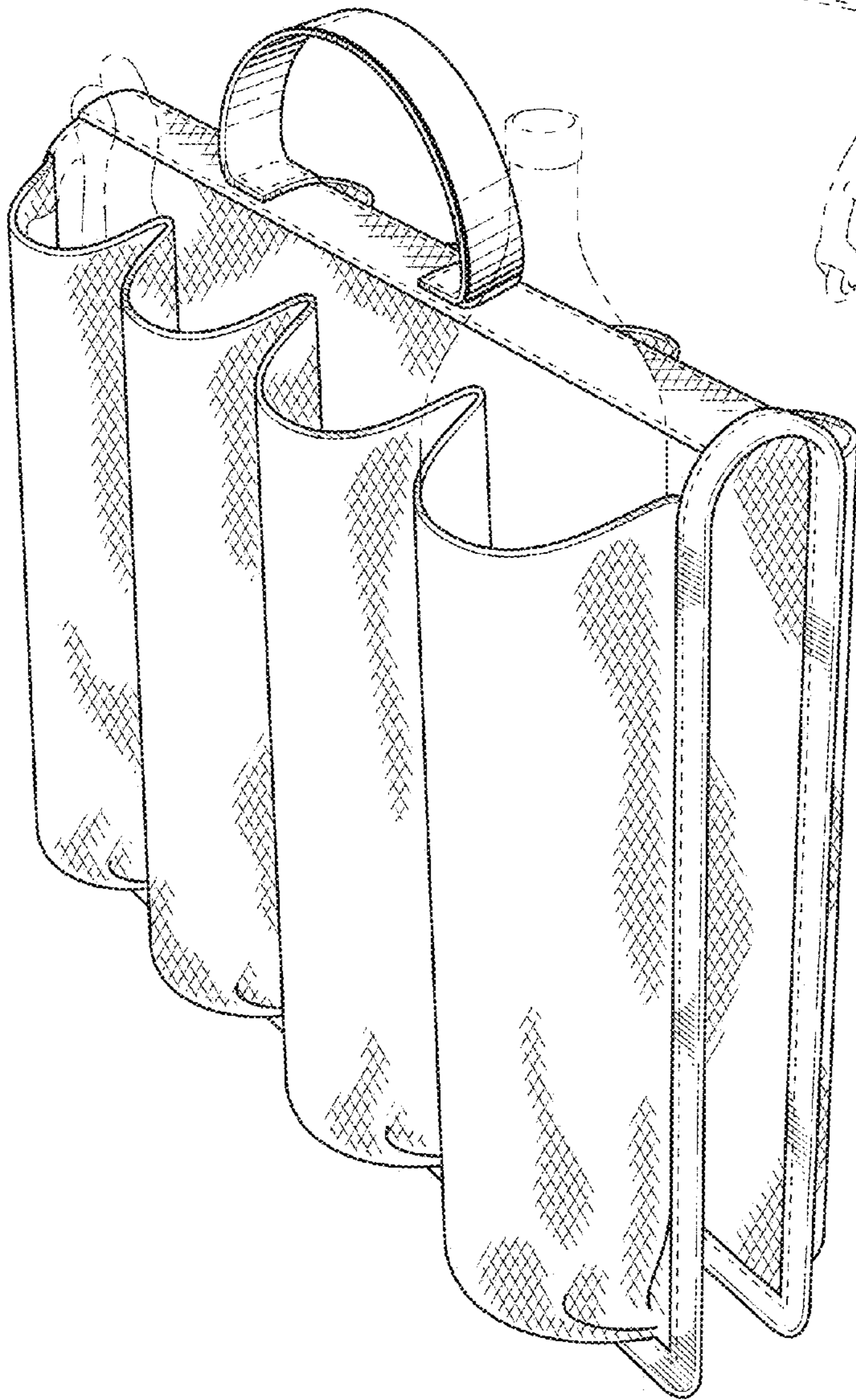


FIG. 3

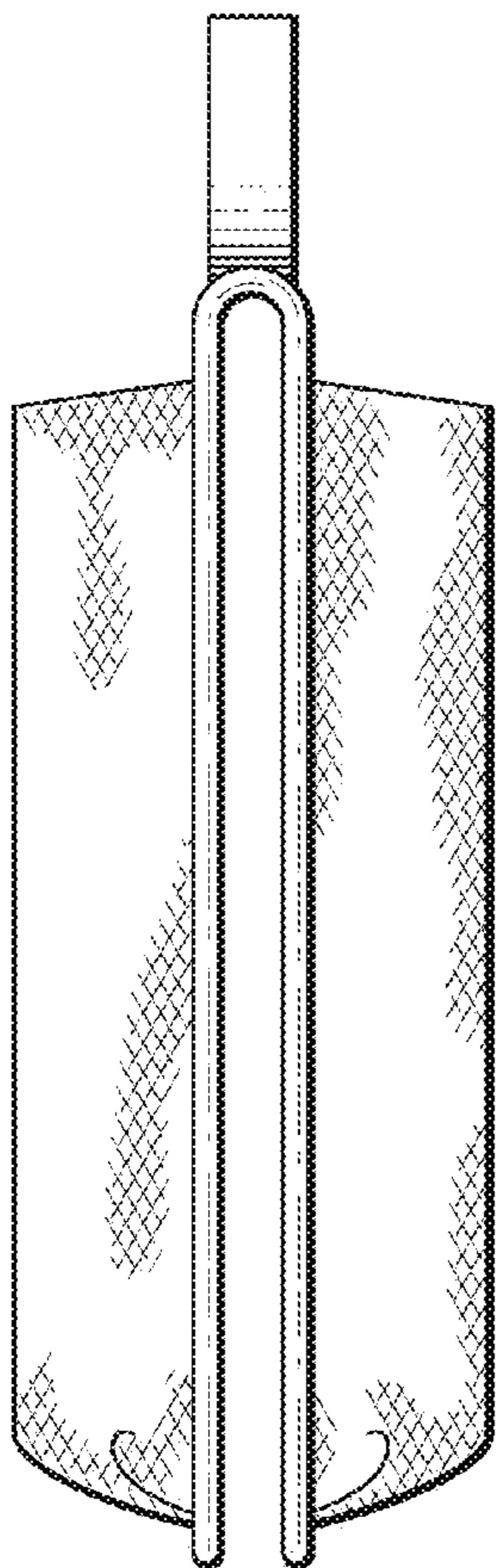
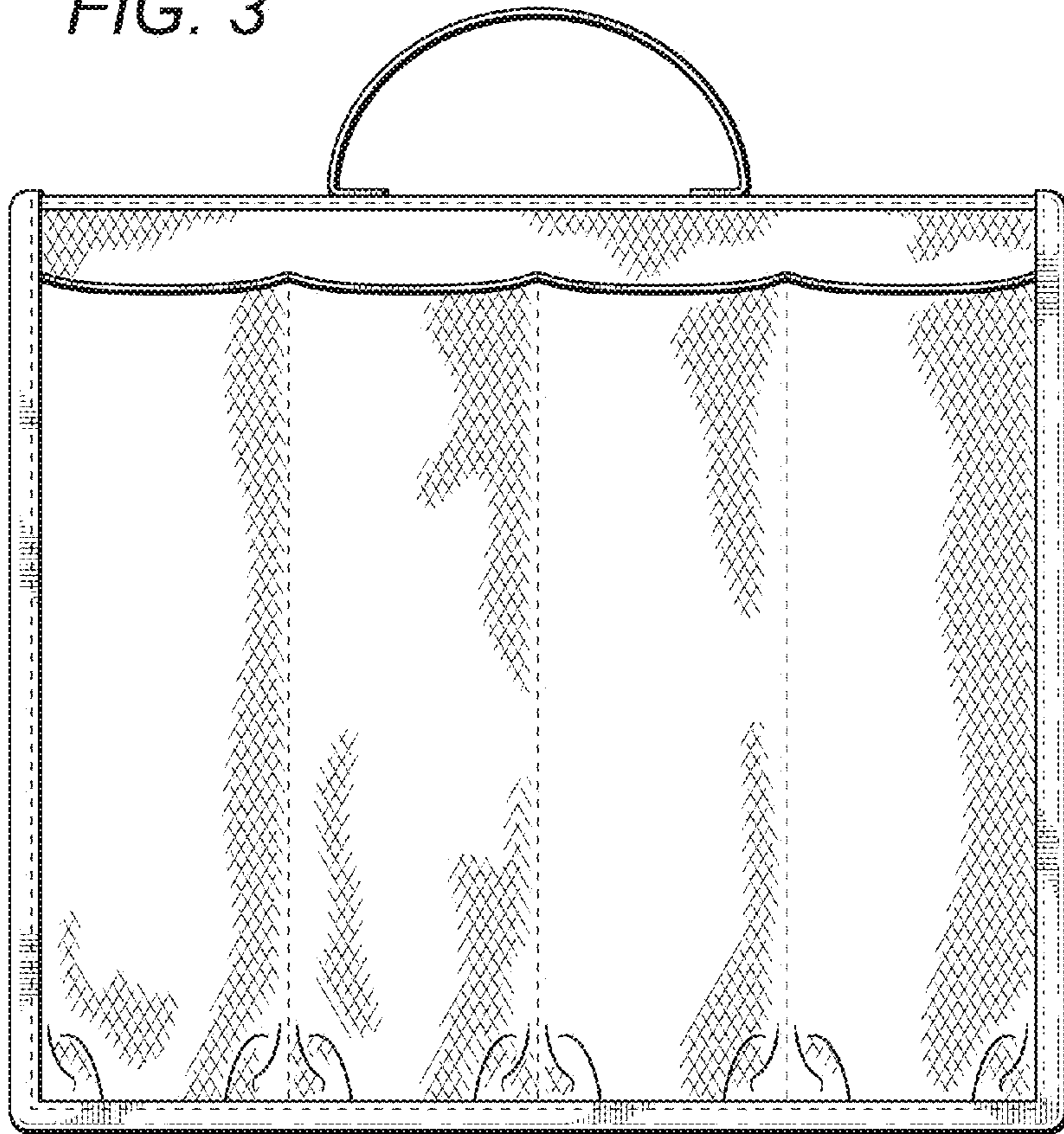


FIG. 4

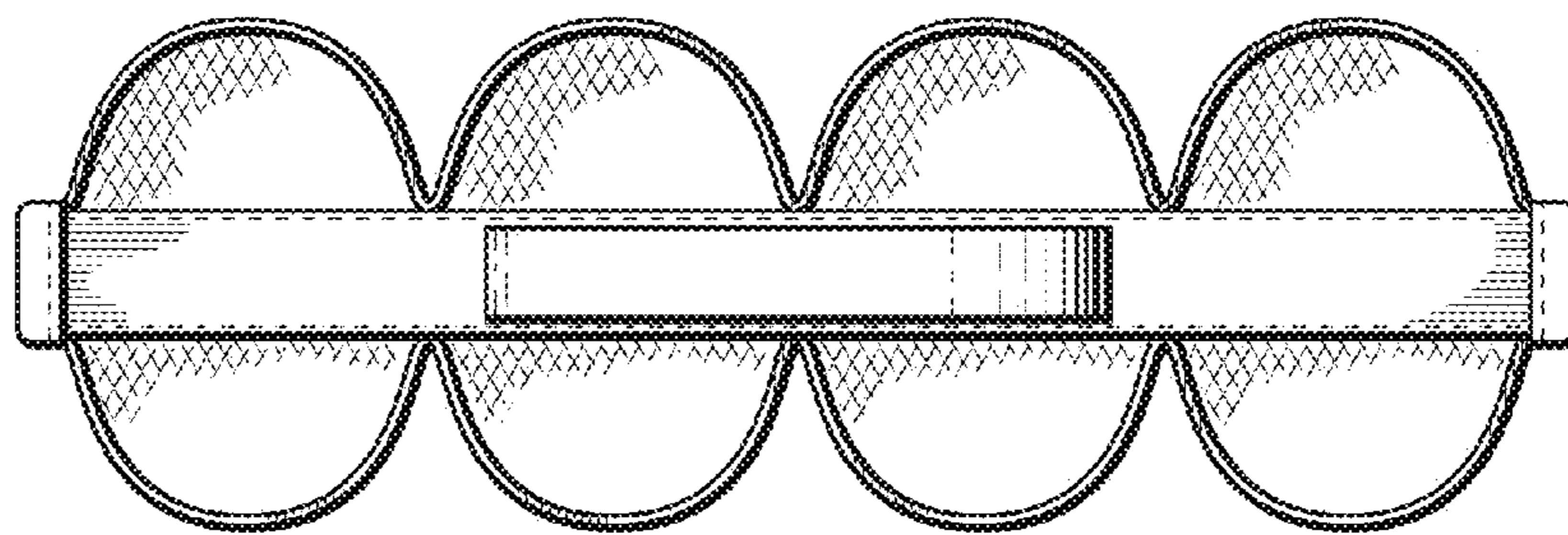


FIG. 5

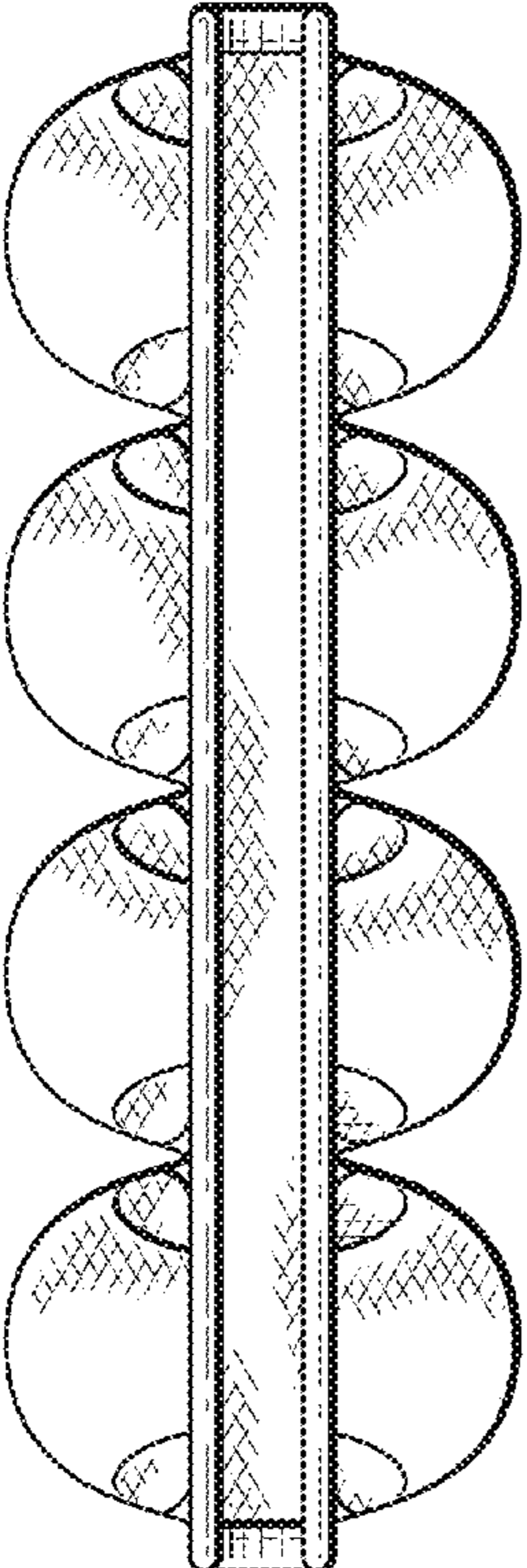


FIG. 6

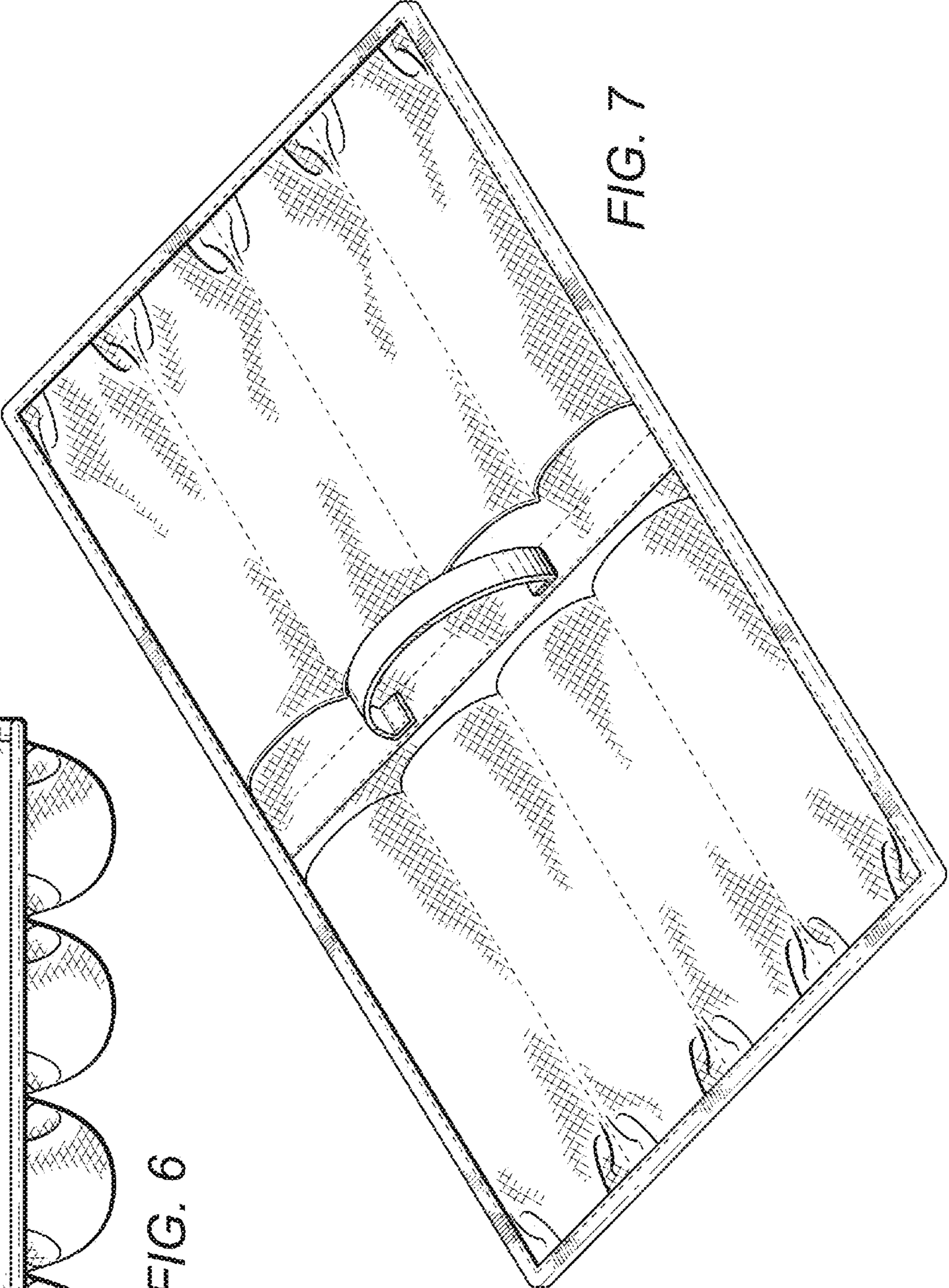


FIG. 7

FIG. 8

