



US00D689280S

(12) **United States Design Patent**
Blauer

(10) **Patent No.:** **US D689,280 S**

(45) **Date of Patent:** **** Sep. 10, 2013**

(54) **UMBRELLA HAVING REFLECTIVE MATERIAL**

2005/0172986 A1* 8/2005 Lu 135/33.2
2007/0272288 A1 11/2007 Brebner
2008/0308139 A1* 12/2008 Keesling 135/120.1

(75) Inventor: **Jeff Blauer**, Portland, OR (US)

FOREIGN PATENT DOCUMENTS

(73) Assignee: **Shedrain Corporation**, Portland, OR (US)

JP 3109006 4/2005

OTHER PUBLICATIONS

(**) Term: **14 Years**

ShedRain Corporation Catalog, p. 18, front and rear covers, copyright date 2000 (3 pages).

(21) Appl. No.: **29/408,397**

* cited by examiner

(22) Filed: **Dec. 12, 2011**

Primary Examiner — John Windmuller

(74) *Attorney, Agent, or Firm* — Leason Ellis LLP

Related U.S. Application Data

(63) Continuation of application No. 29/361,419, filed on May 11, 2010.

(51) **LOC (9) Cl.** **03-03**

(52) **U.S. Cl.**
USPC **D3/5; D3/10**

(58) **Field of Classification Search**
USPC D3/5, 6, 10; 135/15.1, 33.2, 44
See application file for complete search history.

(57) **CLAIM**

The ornamental design for an umbrella having reflective material, as shown and described.

DESCRIPTION

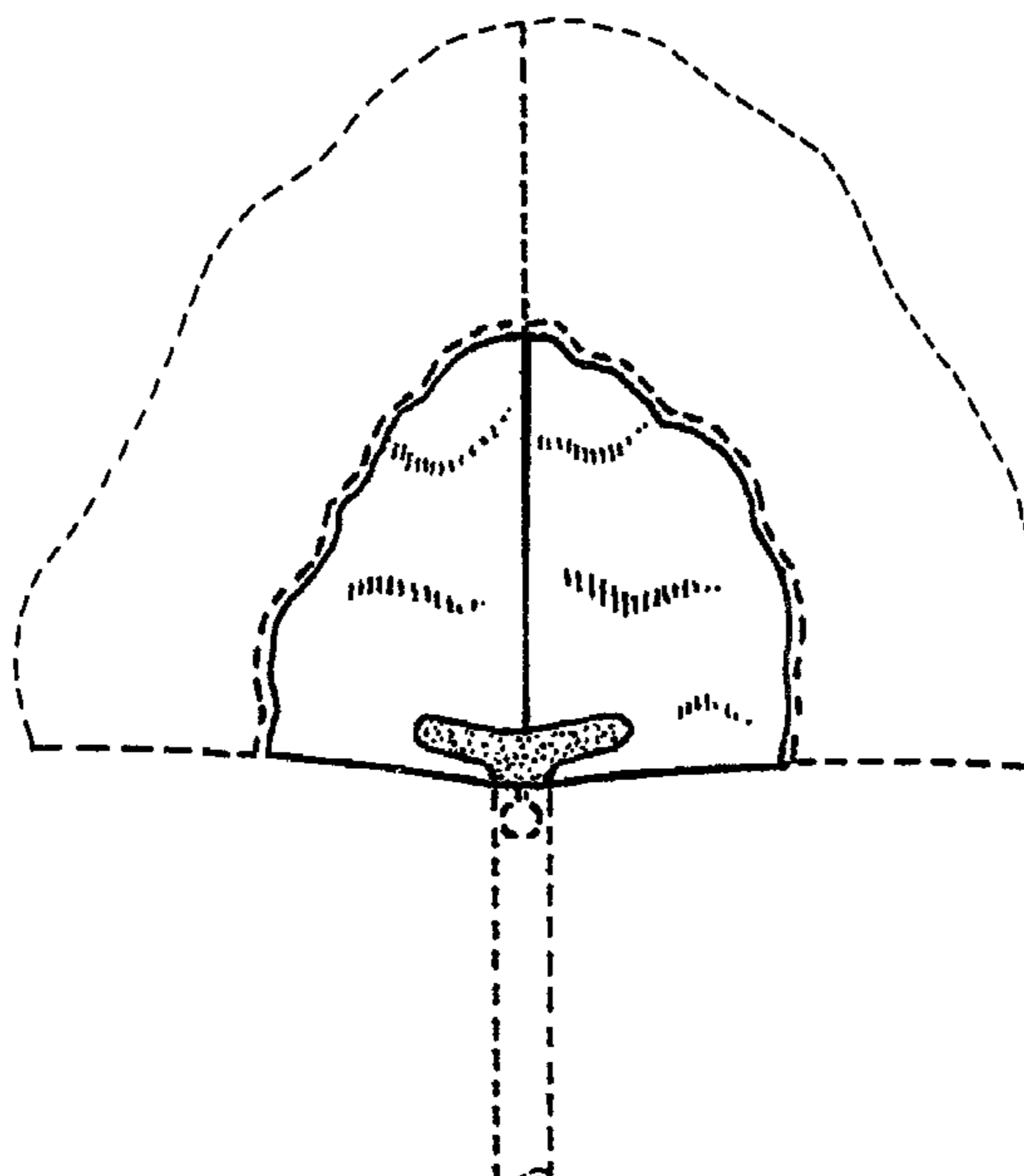
(56) **References Cited**

U.S. PATENT DOCUMENTS

D45,593	S	*	4/1914	Follmer	D3/5
1,378,354	A	*	5/1921	Johnson	135/26
2,185,587	A		1/1940	Wallace		
2,756,760	A	*	7/1956	La Grotteria	135/20.1
D187,683	S	*	4/1960	Harrison	D3/5
4,872,468	A	*	10/1989	Cole	135/16
D370,336	S	*	6/1996	Rosier	D3/5
D418,970	S	*	1/2000	Chen et al.	D3/5
6,302,125	B1	*	10/2001	Lin et al.	135/33.2
D486,302	S	*	2/2004	Van Dam	D3/6
D496,782	S	*	10/2004	Miles	D3/5
D504,221	S	*	4/2005	Protano	D3/5
D588,796	S		3/2009	Kupferman		

FIG. 1 is a perspective view of an umbrella having reflective material showing my new design;
FIG. 2 is a front view of the umbrella having reflective material;
FIG. 3 is a plan view of the umbrella having reflective material; and,
FIG. 4 is an enlarged side elevation view of a portion of the umbrella showing the reflective material.
A bottom view is omitted as it does not include any ornamental features of the claimed invention.
The broken lines of FIGS. 1-4 are for illustrative purposes only and depict environmental subject matter only (e.g., canopy, handle and rib construction) and form no part of the claimed design.

1 Claim, 4 Drawing Sheets



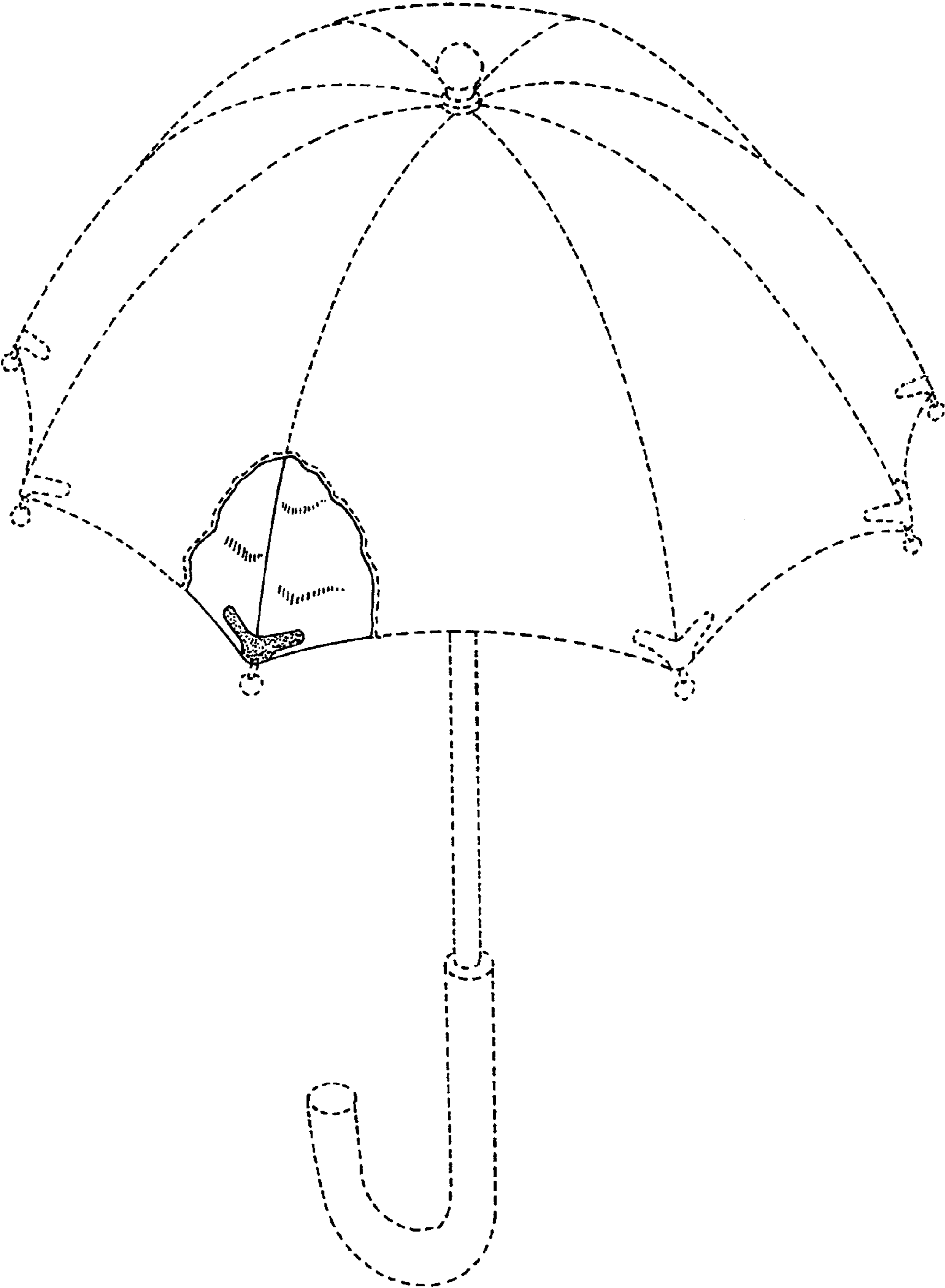


Fig. 1

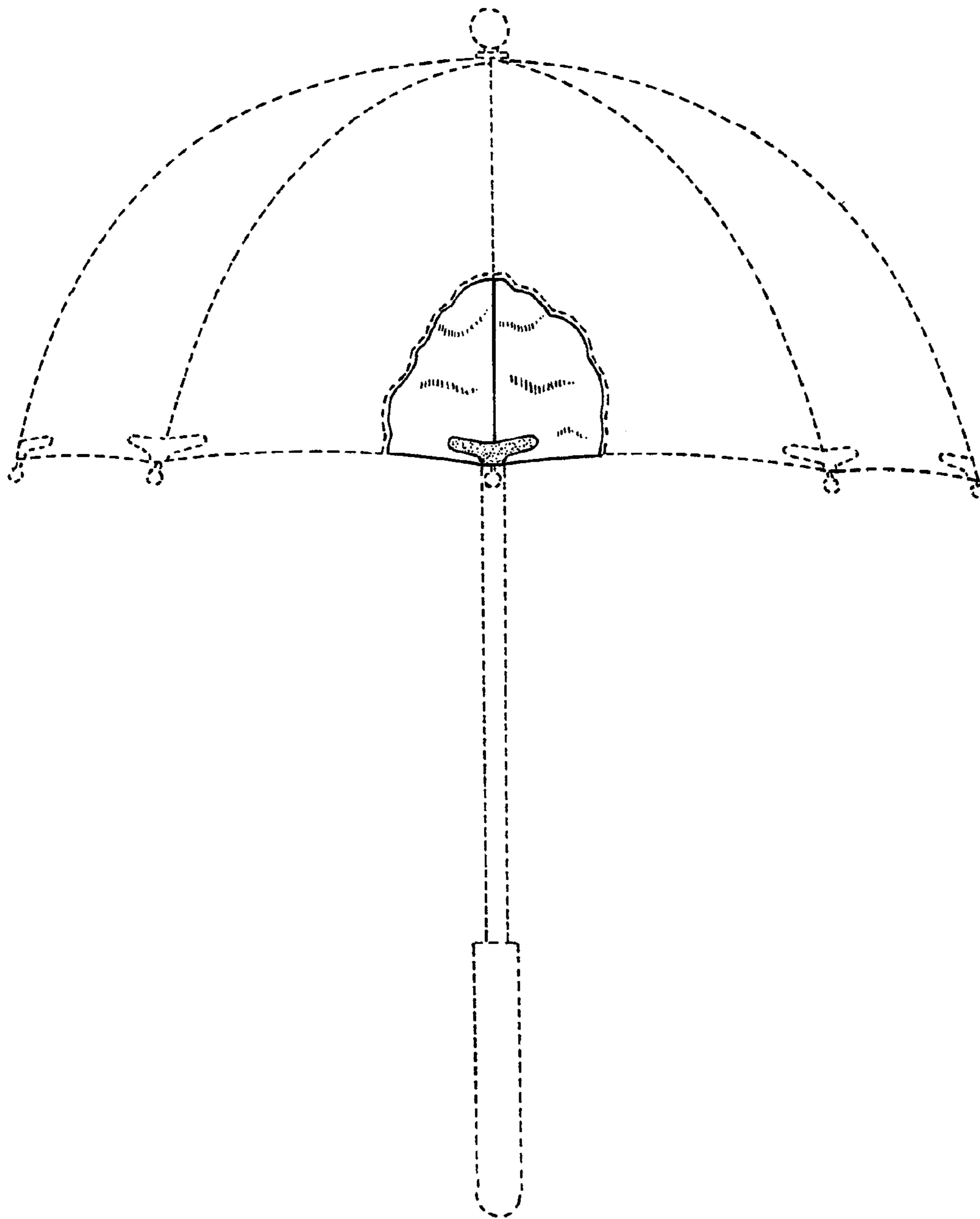


Fig. 2

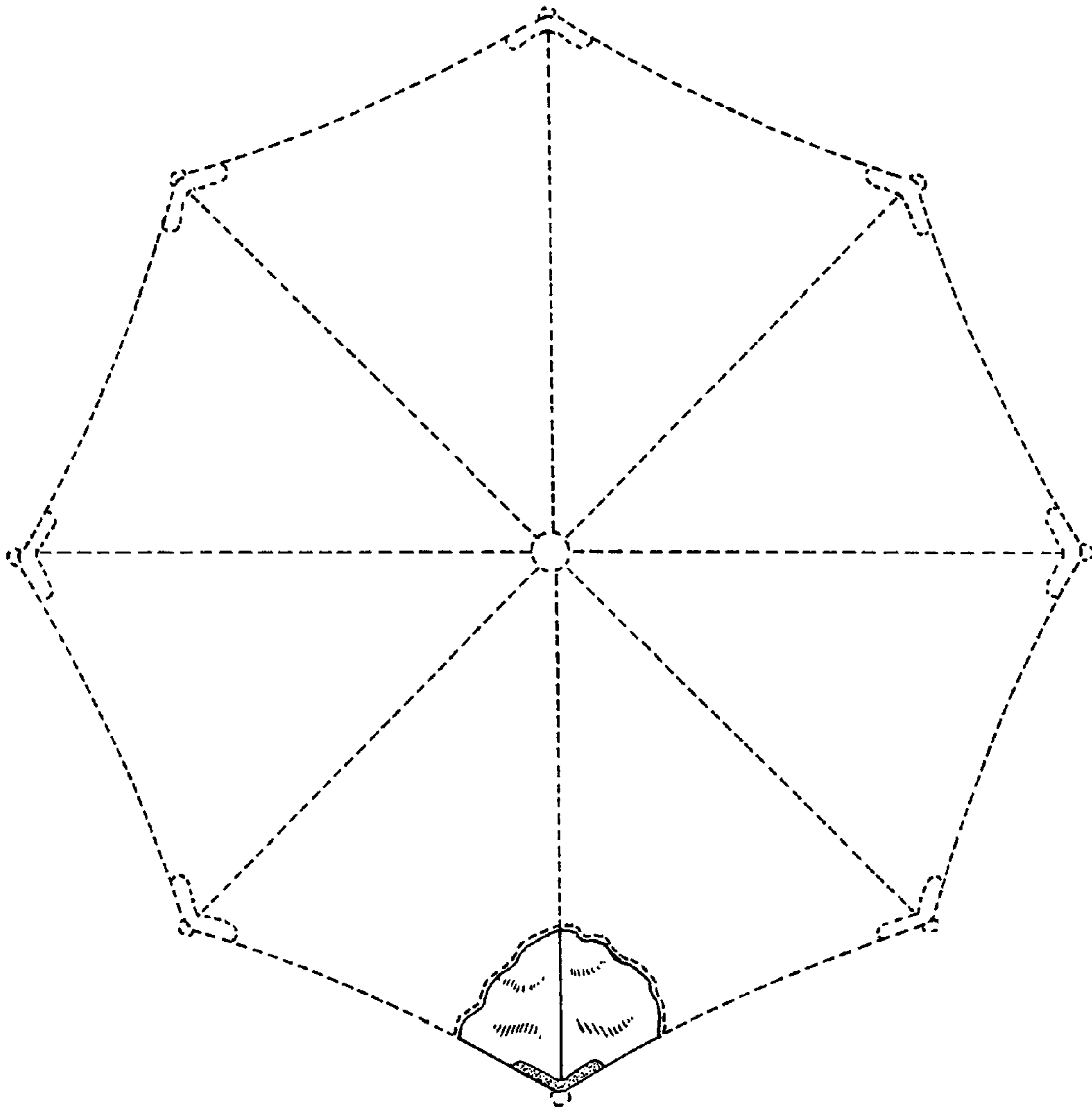


Fig. 3

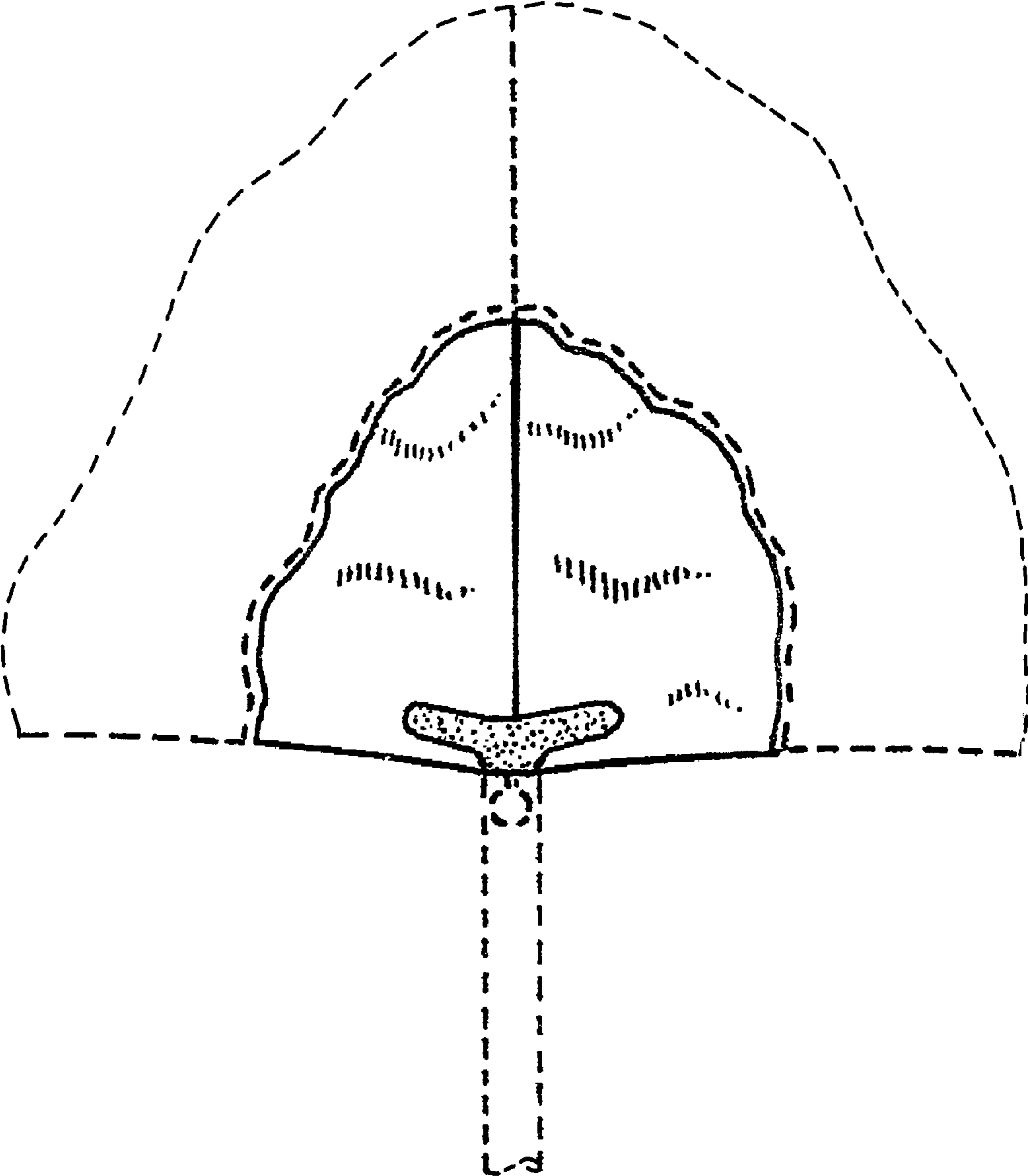


Fig. 4