



US00D689268S

(12) **United States Design Patent**  
**Dawson et al.**

(10) **Patent No.:** **US D689,268 S**

(45) **Date of Patent:** **\*\* Sep. 10, 2013**

(54) **SANDAL HAVING A SPUR**

(76) Inventors: **Shaun C. Dawson**, Garland, TX (US);  
**Jonathan L. Alvarez**, Flower Mound,  
TX (US); **Darwin I. Griffeth, IV**,  
Lantana, TX (US)

(\*\*) Term: **14 Years**

(21) Appl. No.: **29/418,752**

(22) Filed: **Apr. 20, 2012**

(51) **LOC (9) Cl.** ..... **02-04**

(52) **U.S. Cl.**  
USPC ..... **D2/918**; D2/897

(58) **Field of Classification Search**  
USPC ..... D2/896-900, 903, 916-925, 932,  
D2/946, 952, 969, 971; 36/45, 11.5, 8.1,  
36/77 M, 77 R, 83, 7; D30/157  
See application file for complete search history.

(56) **References Cited**

U.S. PATENT DOCUMENTS

2,290,445	A *	7/1942	Oleyar	.....	54/83.2
2,454,228	A *	11/1948	Smith	.....	54/83.1
3,953,958	A *	5/1976	Beaston	.....	54/83.2
4,069,601	A *	1/1978	Robbins et al.	.....	36/11.5
D254,521	S	3/1980	Katz		
4,443,996	A *	4/1984	Welton et al.	.....	54/83.1
D293,963	S	2/1988	Maciel		
D374,549	S *	10/1996	McDonald	.....	D2/917
D383,257	S *	9/1997	Clark	.....	D30/157
D409,359	S	5/1999	Condi		
6,192,663	B1 *	2/2001	Gatlin et al.	.....	54/83.1
D476,797	S *	7/2003	Schenone	.....	D2/946
D487,183	S	3/2004	Cumeau		
D576,391	S *	9/2008	Contreras	.....	D2/917

7,439,837	B2 *	10/2008	McDonald	.....	36/11.5
D580,130	S	11/2008	Longley		
D592,840	S	5/2009	Vasyli		

(Continued)

**OTHER PUBLICATIONS**

<http://www.zappos.com/reef-fanning-black-silver>.

*Primary Examiner* — Robert M Spear

*Assistant Examiner* — Rashida C McCoy

(74) *Attorney, Agent, or Firm* — Wei Wei Jeang; Andrews Kurth LLP

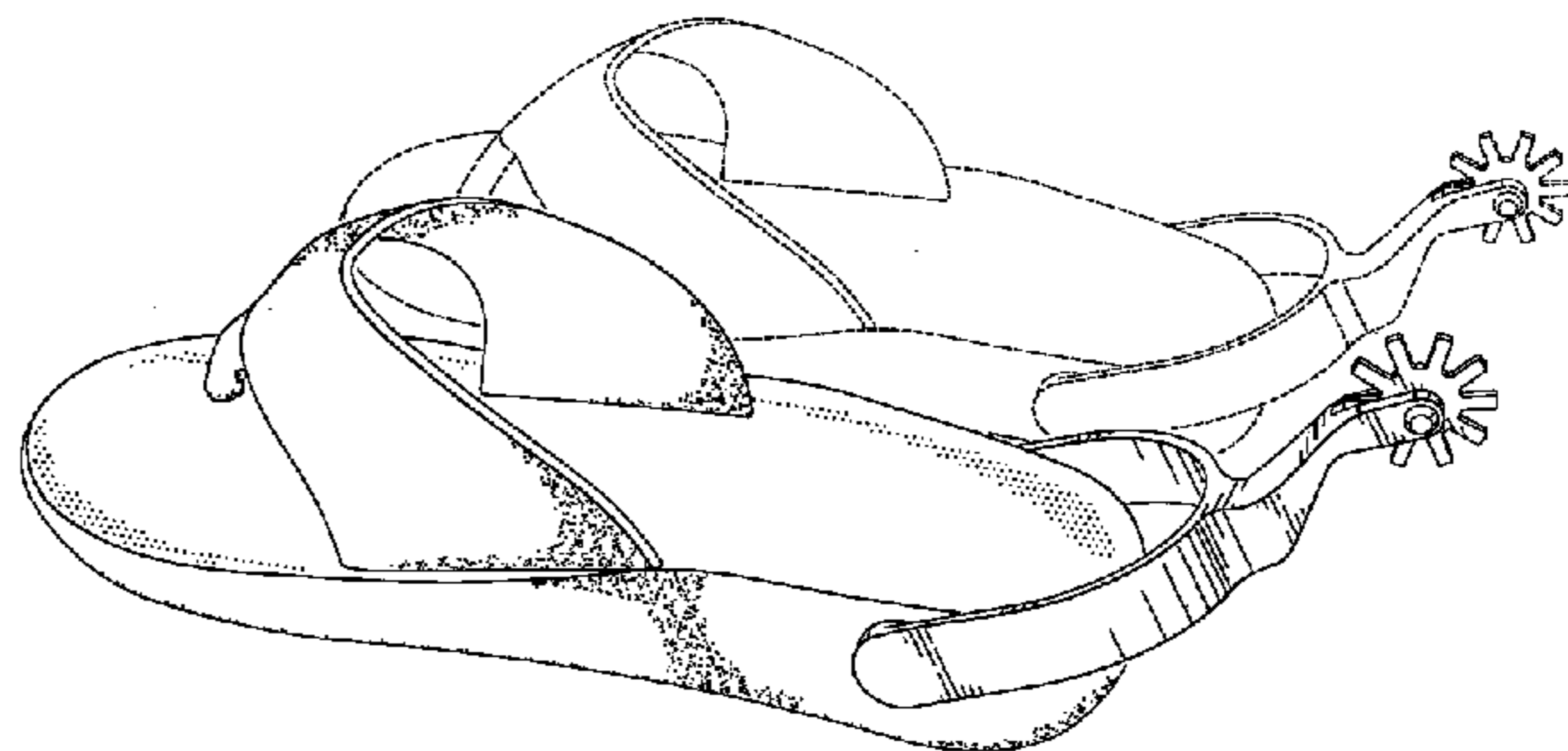
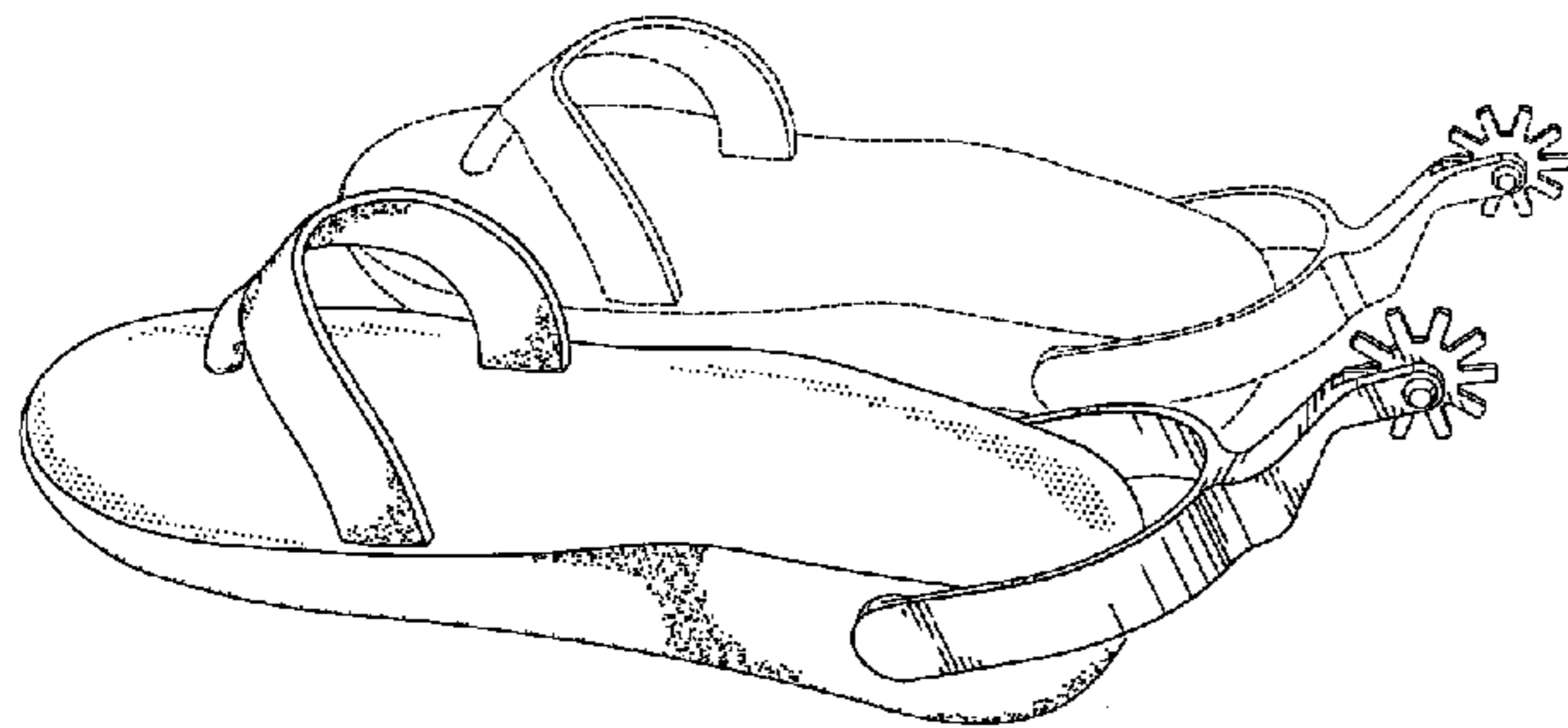
(57) **CLAIM**

The ornamental design for a sandal having a spur, as shown and described.

**DESCRIPTION**

FIG. 1 is a side perspective view of a first embodiment of a sandal having a spur that forms our new design;  
 FIG. 2 is a front elevational view of a first embodiment thereof;  
 FIG. 3 is a rear elevational view of a first embodiment thereof;  
 FIG. 4 is a side elevational view of a first embodiment thereof;  
 FIG. 5 is a top plan view of a first embodiment thereof;  
 FIG. 6 is a bottom plan view of a first embodiment thereof;  
 FIG. 7 is a side perspective view of a second embodiment thereof;  
 FIG. 8 is a front elevational view of a second embodiment thereof;  
 FIG. 9 is a rear elevational view of a second embodiment thereof;  
 FIG. 10 is a side elevational view of a second embodiment thereof;  
 FIG. 11 is a top plan view of a second embodiment thereof;  
 and,  
 FIG. 12 is a bottom plan view of a second embodiment thereof.  
 The broken lines in the drawings represent unclaimed environmental subject matter and form no part of the claim.

**1 Claim, 6 Drawing Sheets**



# US D689,268 S

Page 2

---

(56)

## References Cited

			8,381,415 B1 *	2/2013	Lanoue et al. ....	36/11.5
			2006/0086007 A1	4/2006	Ritter	
			2008/0110061 A1	5/2008	Ritter	
			2008/0189984 A1 *	8/2008	Januszewski et al. ....	36/100
	U.S. PATENT DOCUMENTS					
D596,833 S	7/2009	Dominquez				
D634,920 S *	3/2011	Martinez et al. ....	D2/917			
D648,511 S *	11/2011	Trickey .....	D2/917			

\* cited by examiner

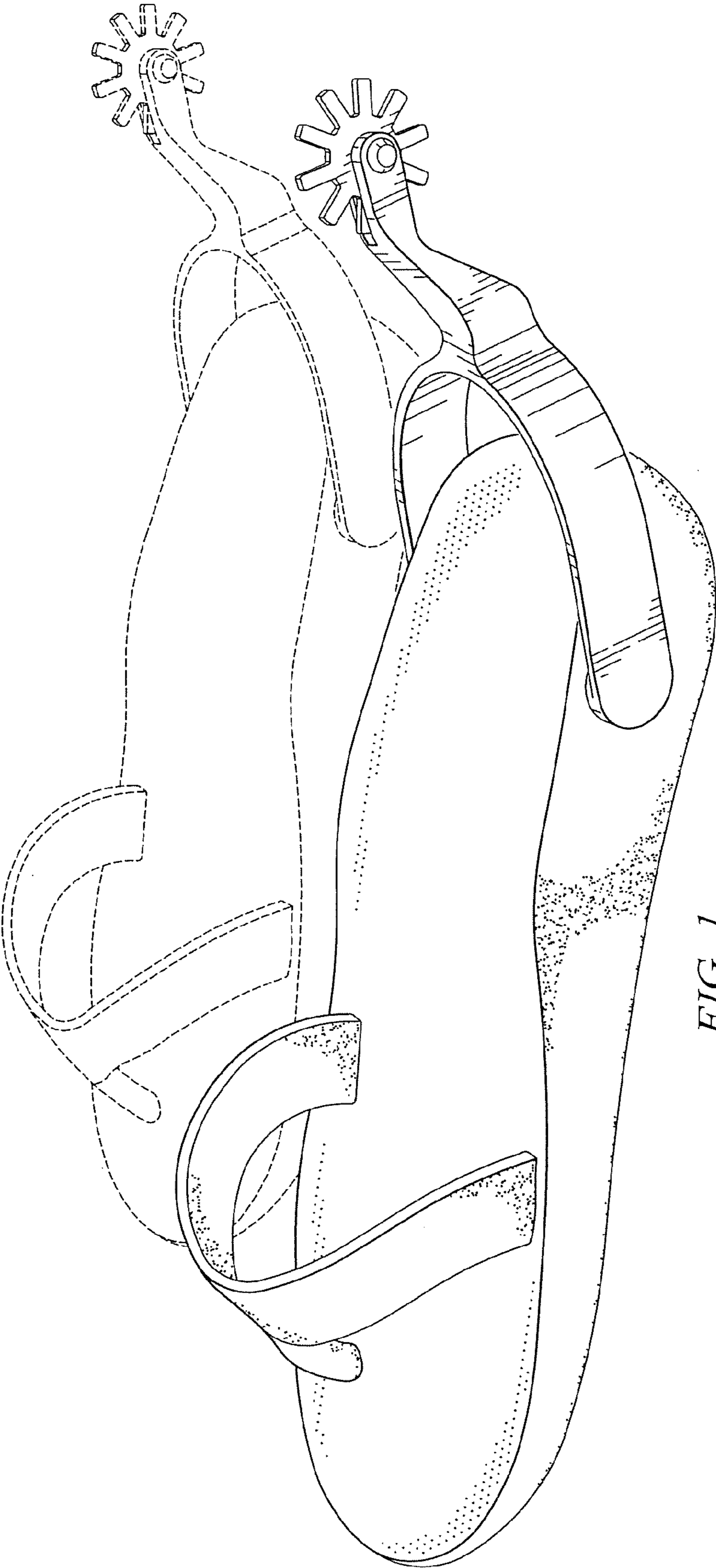


FIG. 1

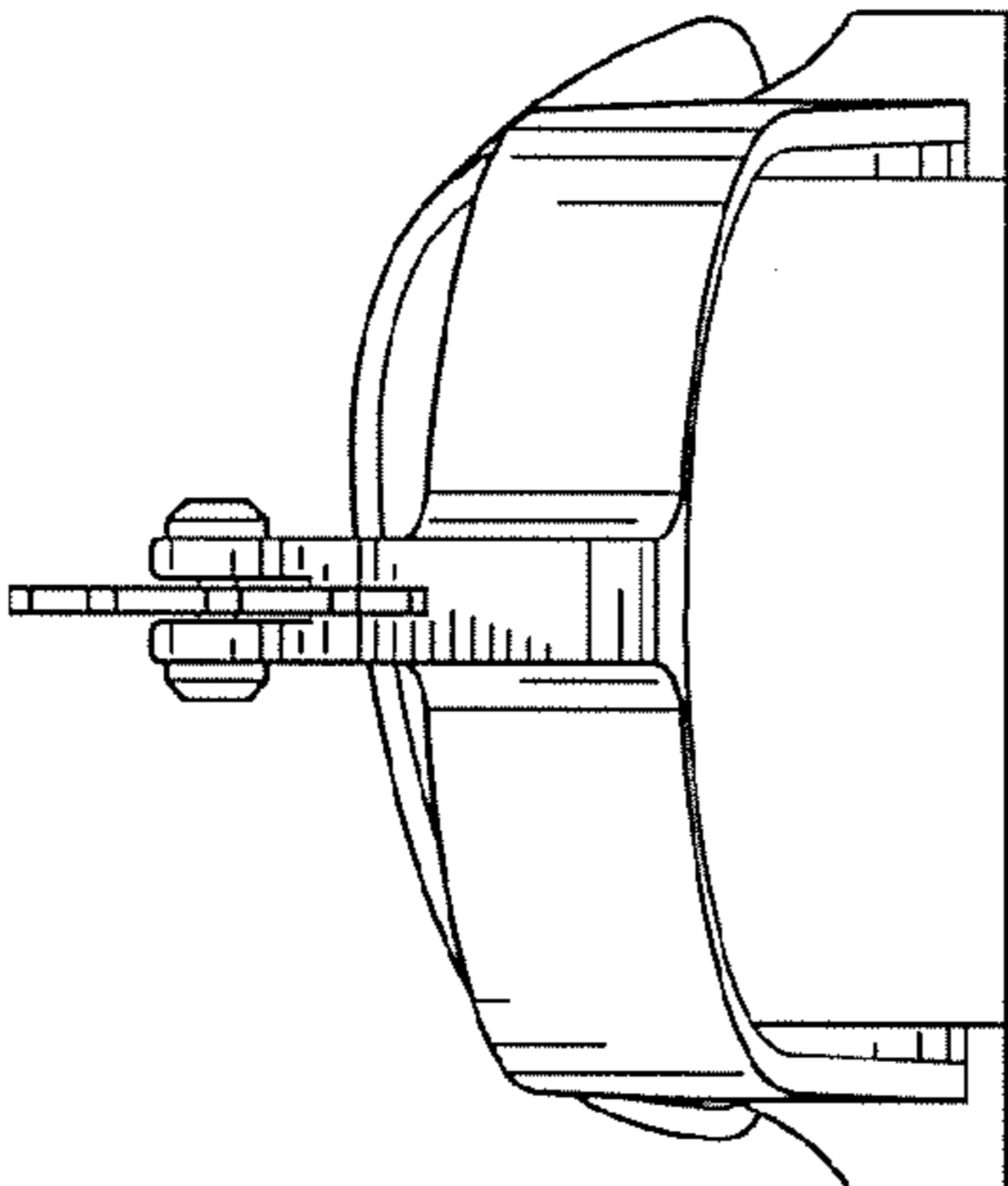


FIG. 3

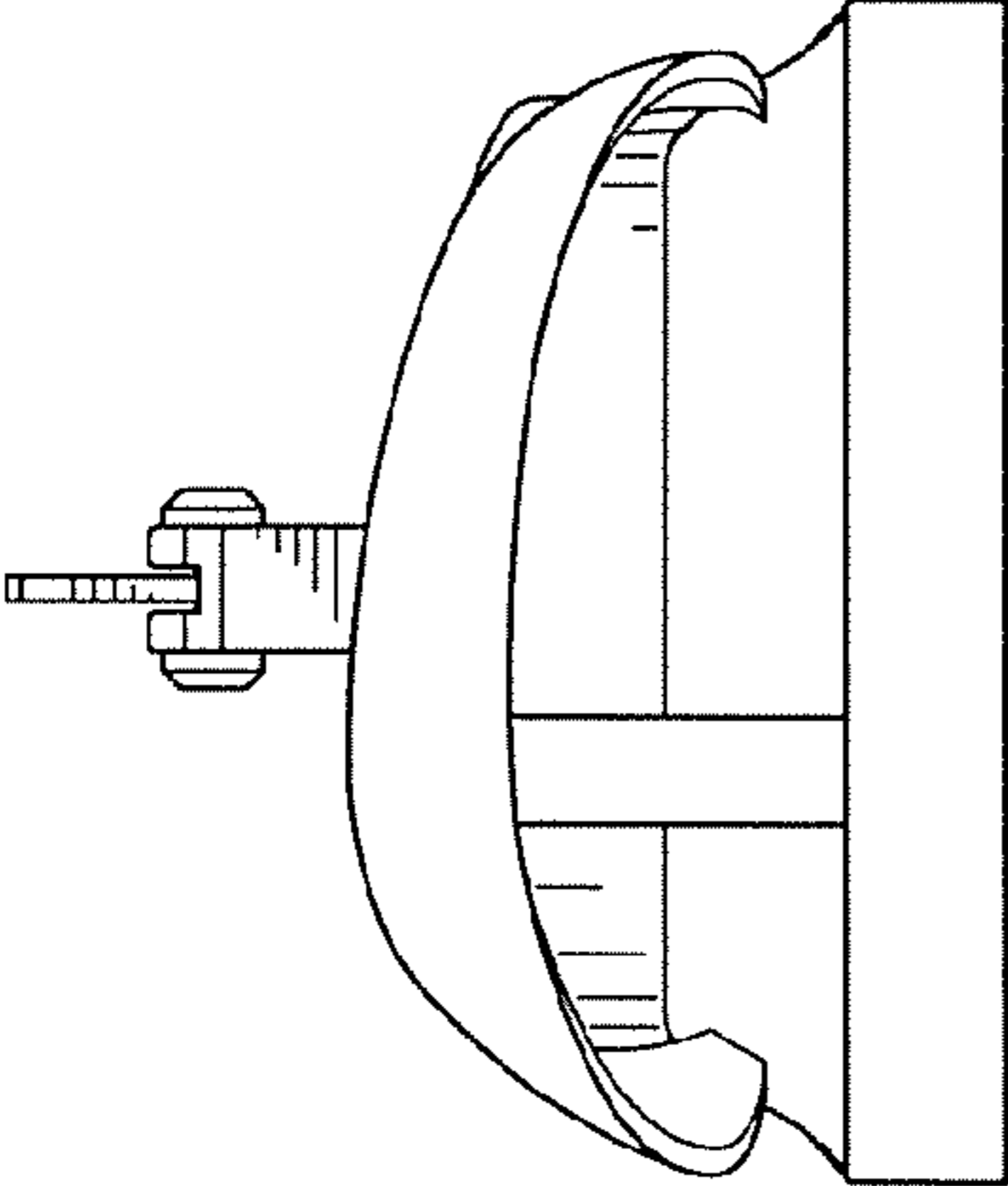


FIG. 2

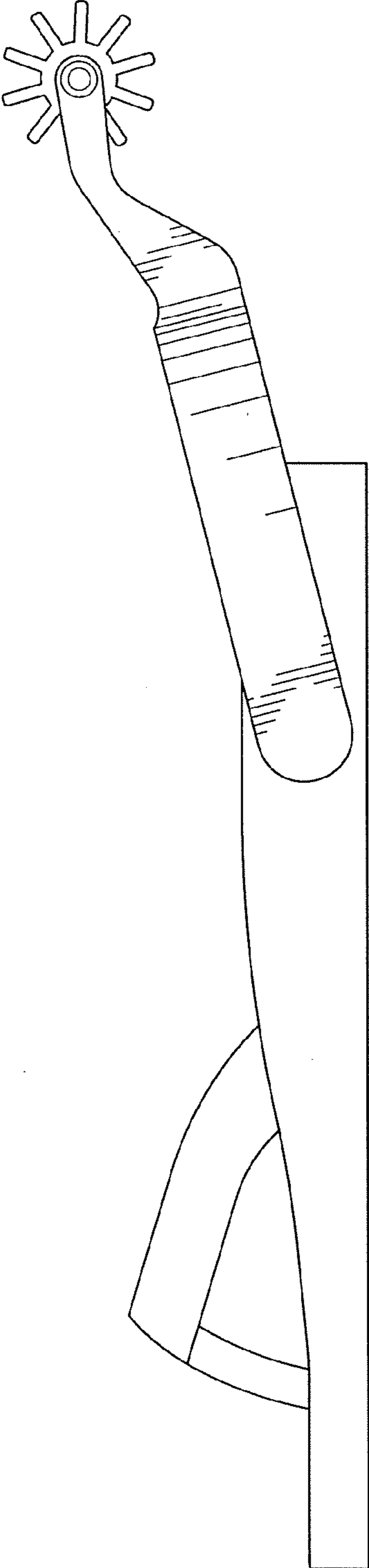


FIG. 4

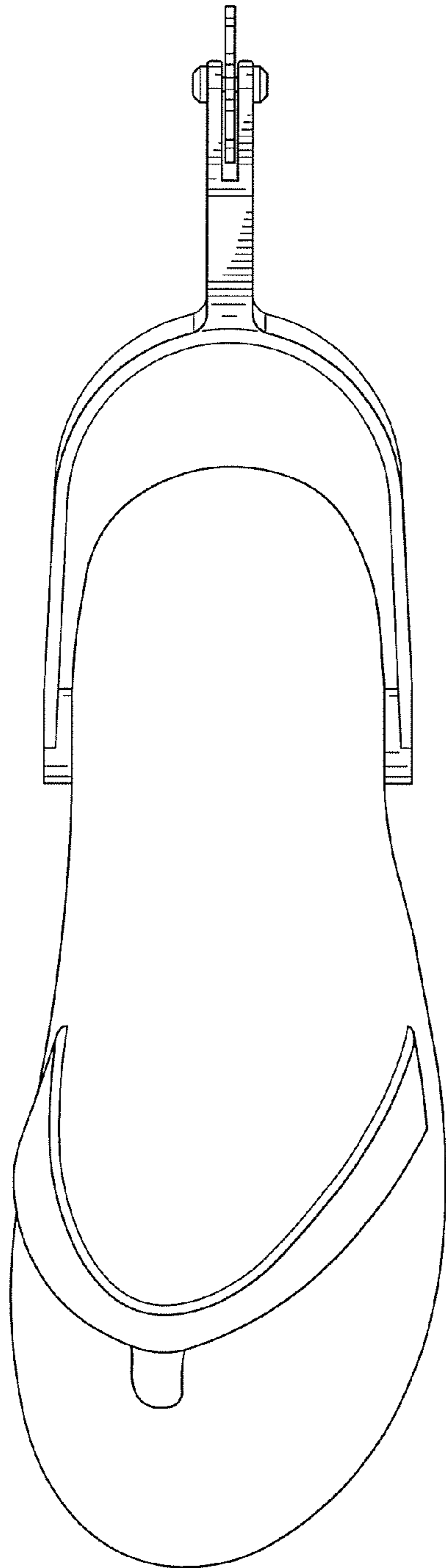


FIG. 5

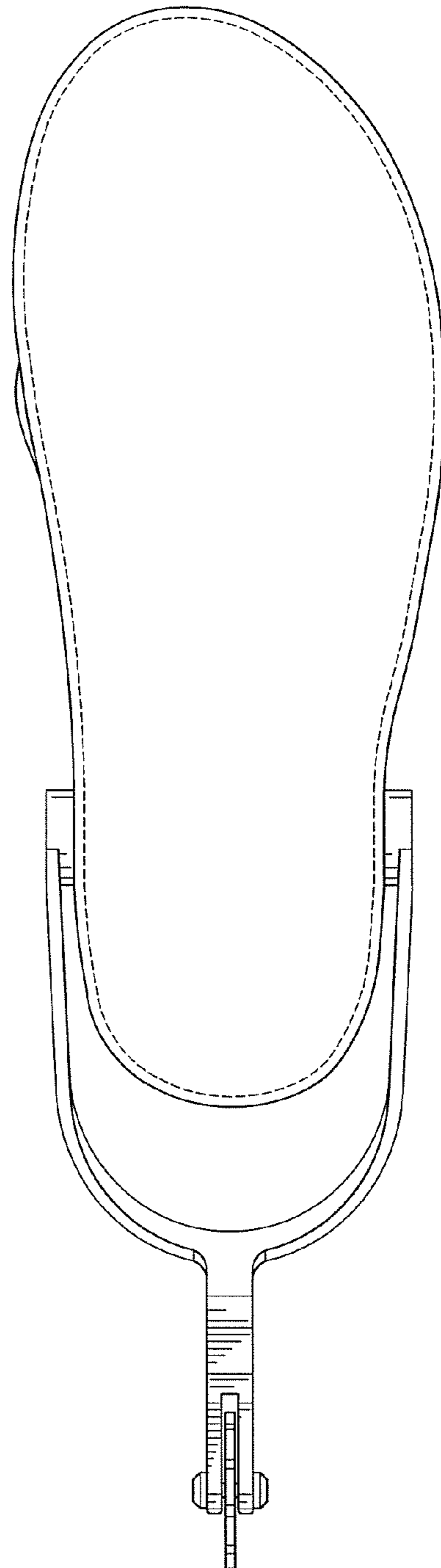


FIG. 6

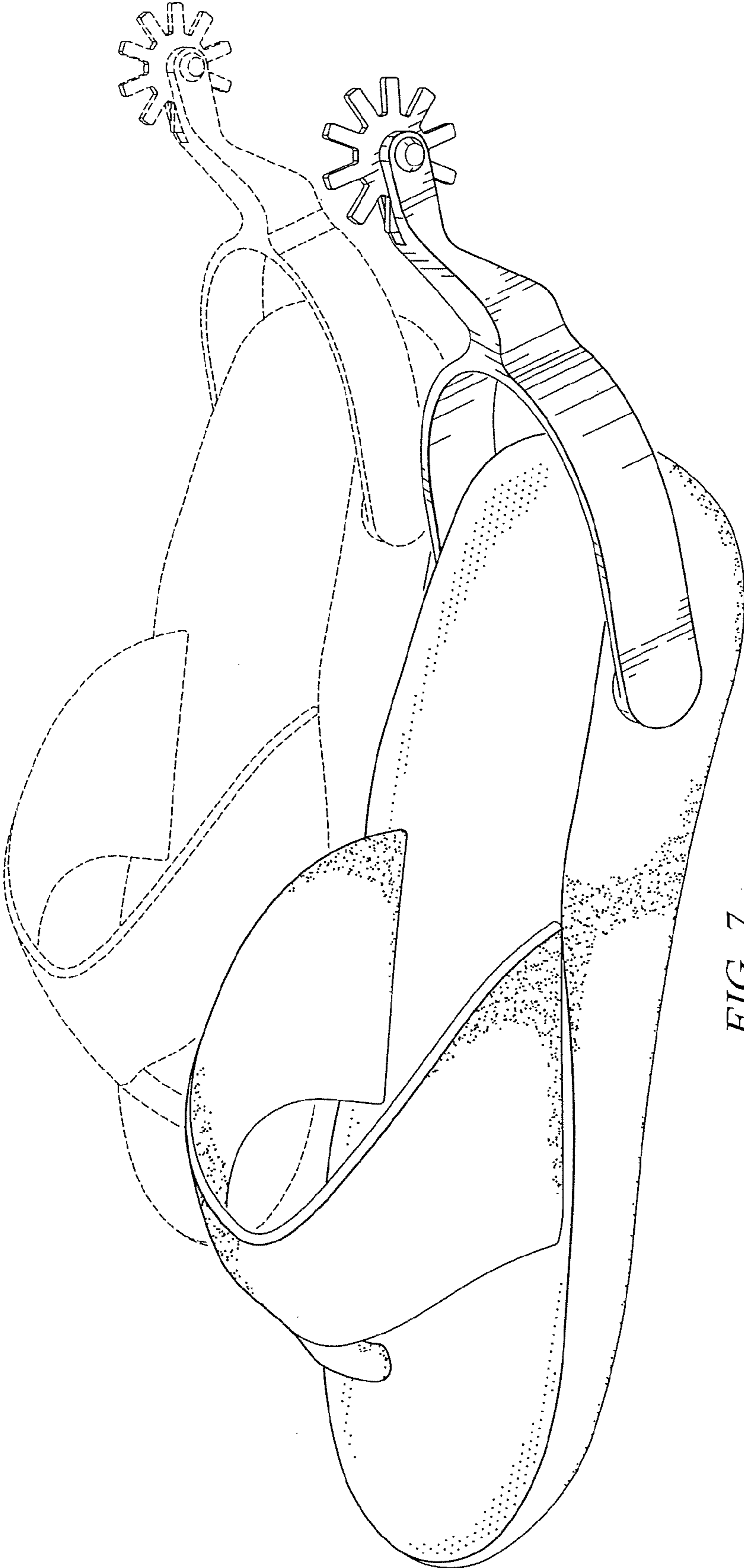


FIG. 7

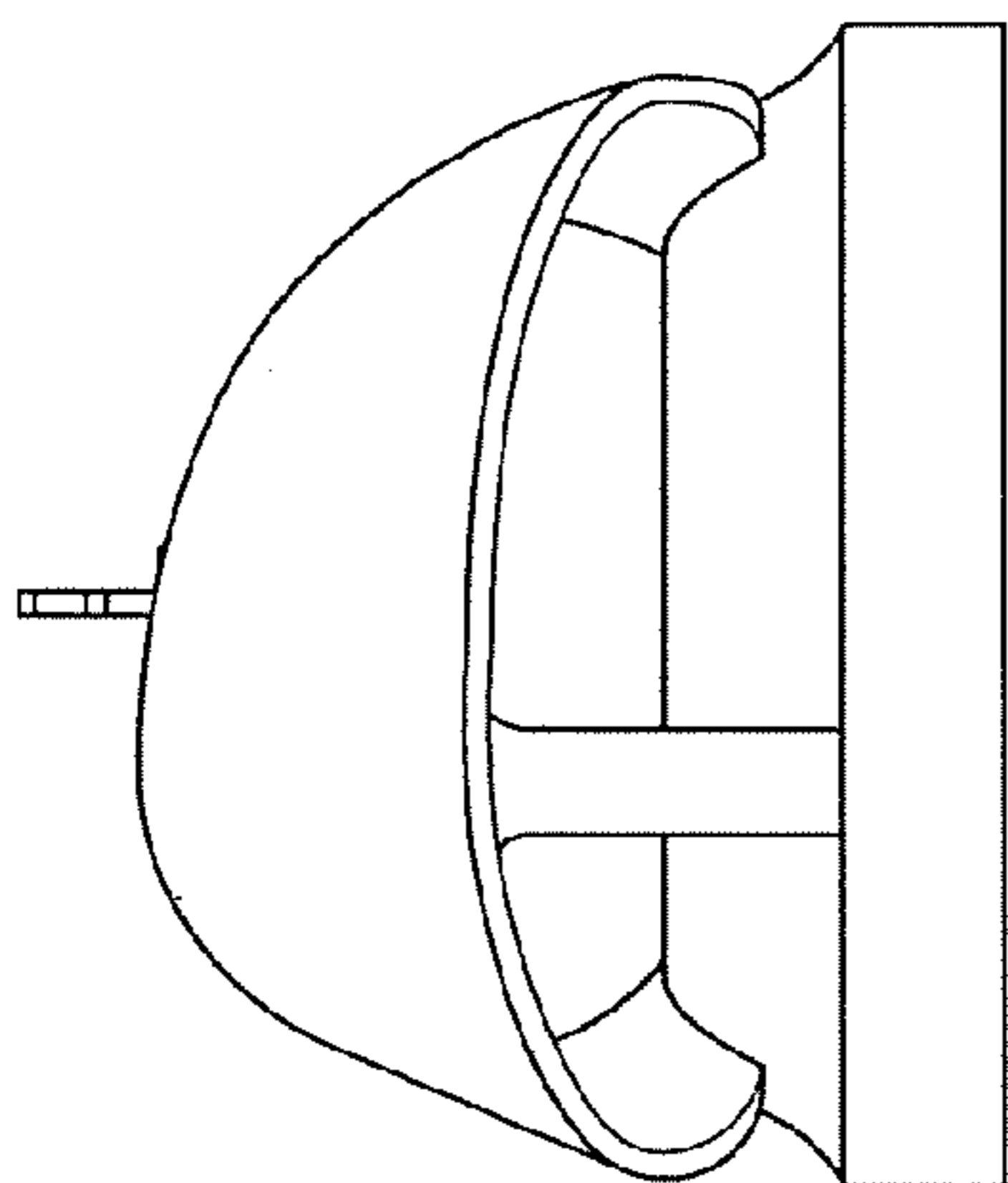


FIG. 8

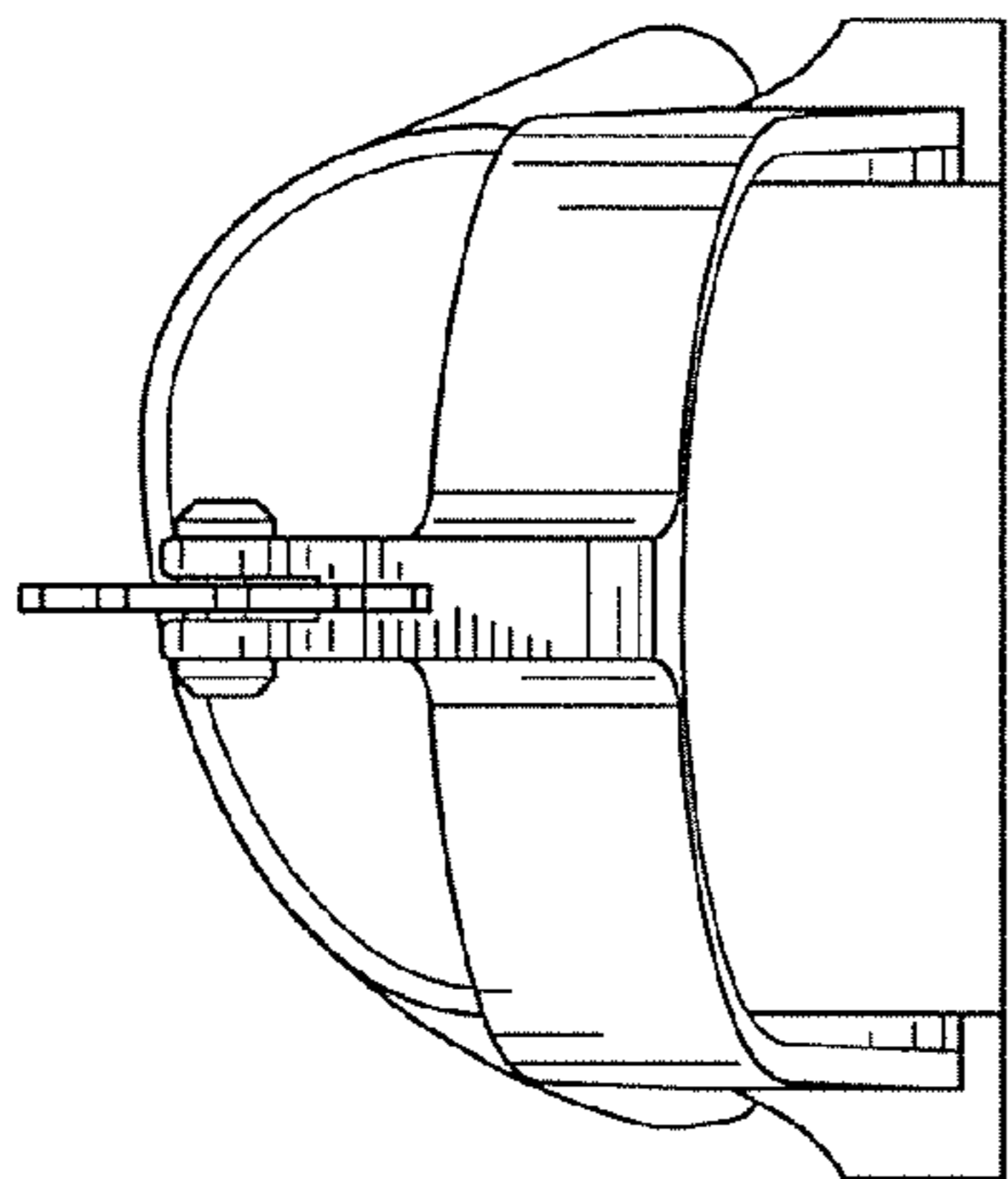


FIG. 9

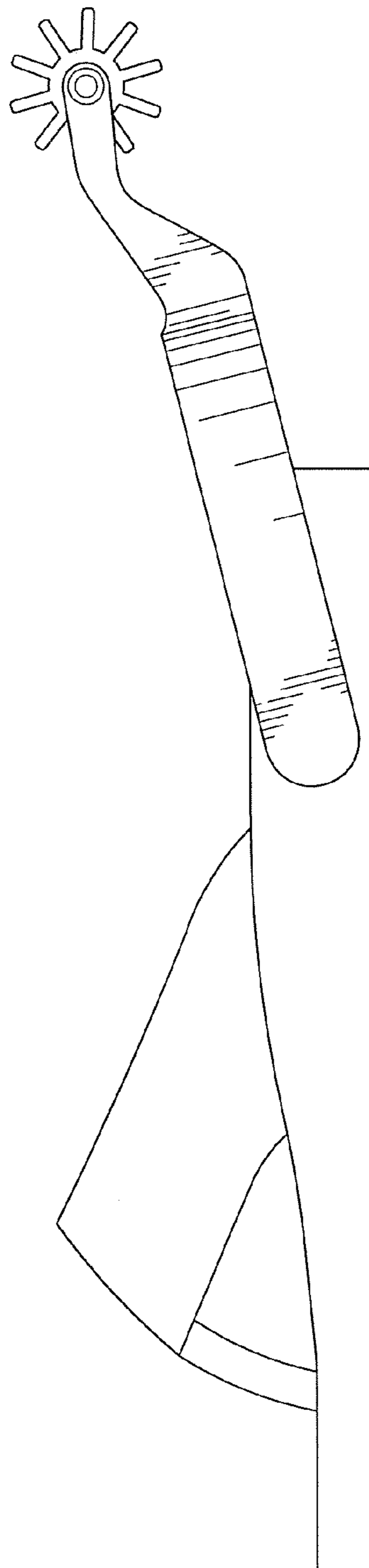


FIG. 10

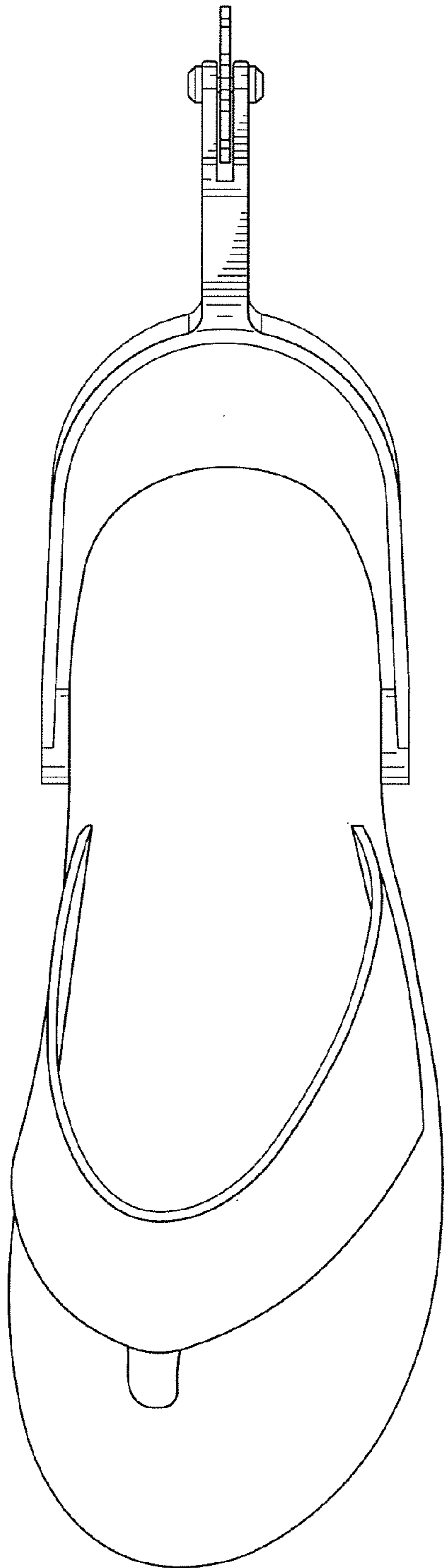


FIG. 11

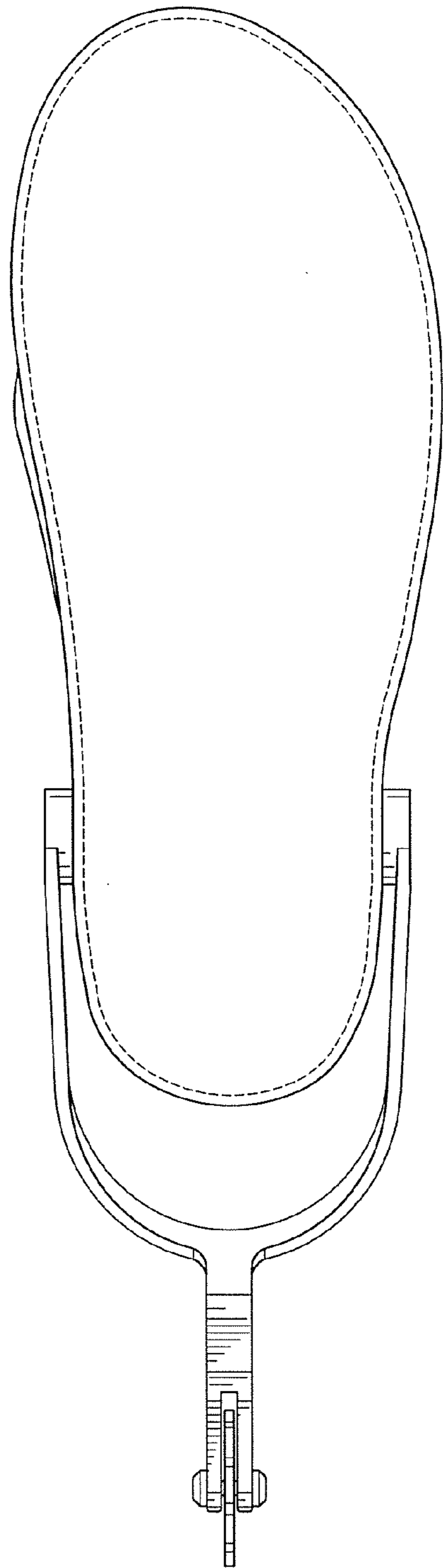


FIG. 12



UNITED STATES PATENT AND TRADEMARK OFFICE  
**CERTIFICATE OF CORRECTION**

PATENT NO. : D689,268 S  
APPLICATION NO. : 29/418752  
DATED : September 10, 2013  
INVENTOR(S) : Shaun C. Dawson, Jonathan L. Alvarez and Darwin I. Griffeth, IV

Page 1 of 1

It is certified that error appears in the above-identified patent and that said Letters Patent is hereby corrected as shown below:

Title page, item [73], insert --Cowboy Sandals, LLC, 7414 Courtside, Garland, Texas 75044--

Signed and Sealed this  
Fifteenth Day of October, 2013



Teresa Stanek Rea  
*Deputy Director of the United States Patent and Trademark Office*