



US00D689256S

(12) **United States Design Patent**
Cepeda Mendoza

(10) **Patent No.:** **US D689,256 S**

(45) **Date of Patent:** **** Sep. 10, 2013**

(54) **SNACK**

(75) **Inventor:** **Jose Abel Cepeda Mendoza**, San Mateo Atenco (MX)

(73) **Assignee:** **Grupo Bimbo S.A. B. de C.V.**, Mexico City (MX)

(**) **Term:** **14 Years**

(21) **Appl. No.:** **29/394,319**

(22) **Filed:** **Jun. 15, 2011**

(30) **Foreign Application Priority Data**

Mar. 4, 2011 (MX) MX/f/2011/000735

(51) **LOC (9) Cl.** **01-01**

(52) **U.S. Cl.**
USPC **D1/113**

(58) **Field of Classification Search**
USPC D1/100-130, 199; D12/98; D21/424,
D21/548, 550, 559; D7/354, 675; D9/522,
D9/675; 206/457

See application file for complete search history.

(56) **References Cited**

U.S. PATENT DOCUMENTS

D96,777 S * 9/1935 Regnault D9/675
D191,863 S * 12/1961 De Lancellotti D1/108

D228,129 S * 8/1973 Modelevsky et al. D24/102
D402,334 S * 12/1998 Thomas D21/548
D413,362 S * 8/1999 Linder D21/549
D416,122 S * 11/1999 Fink et al. D1/113
D436,712 S * 1/2001 Smith D1/113
D492,589 S * 7/2004 Tamez D7/675
D513,552 S * 1/2006 Haro D1/126
D546,891 S * 7/2007 Adams D20/35
D638,305 S * 5/2011 Brogan et al. D9/675
D657,526 S * 4/2012 Cepeda Mendoza D1/106
D659,331 S * 5/2012 Davis D32/43

* cited by examiner

Primary Examiner — Cathron Brooks

Assistant Examiner — Katie Mroczka

(74) *Attorney, Agent, or Firm* — Brinks Hofer Gilson & Lione

(57) **CLAIM**

The ornamental design for a snack, as shown and described.

DESCRIPTION

FIG. 1 is a perspective view of the snack showing my new design;

FIG. 2 is a front elevation view thereof;

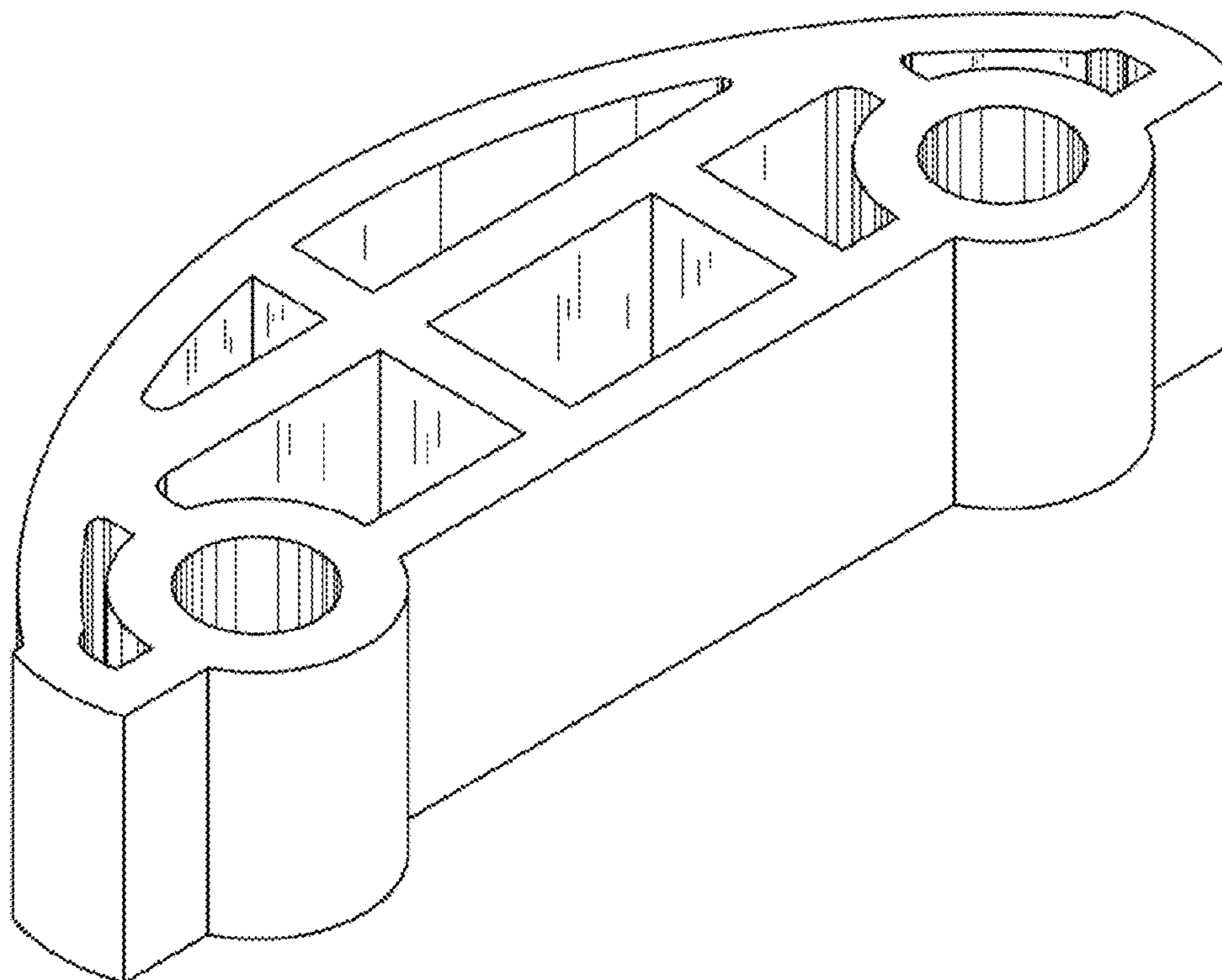
FIG. 3 is a right elevation view thereof;

FIG. 4 is a left elevation view thereof;

FIG. 5 is a bottom plan view thereof; and,

FIG. 6 is a top plan view thereof.

1 Claim, 4 Drawing Sheets



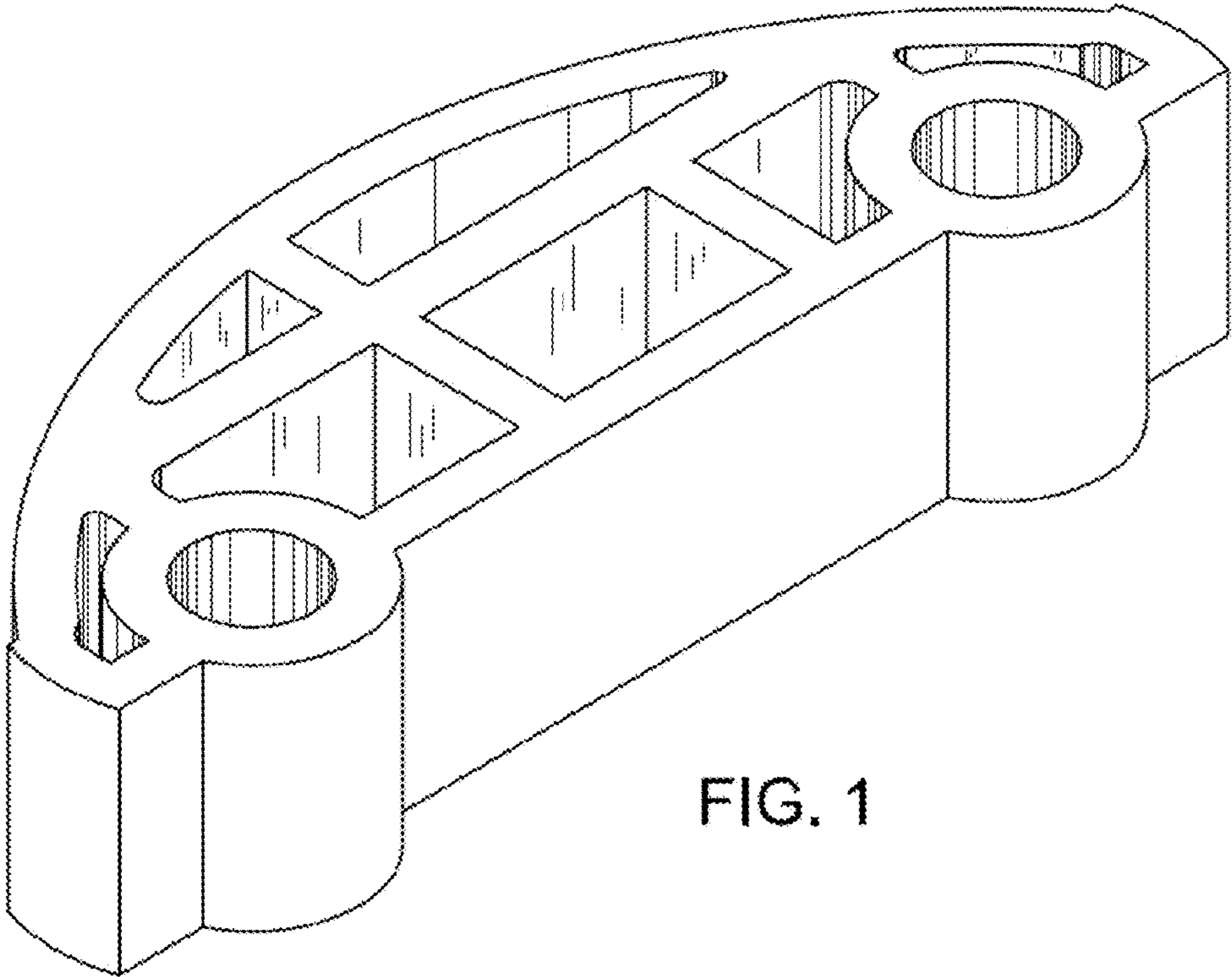


FIG. 1

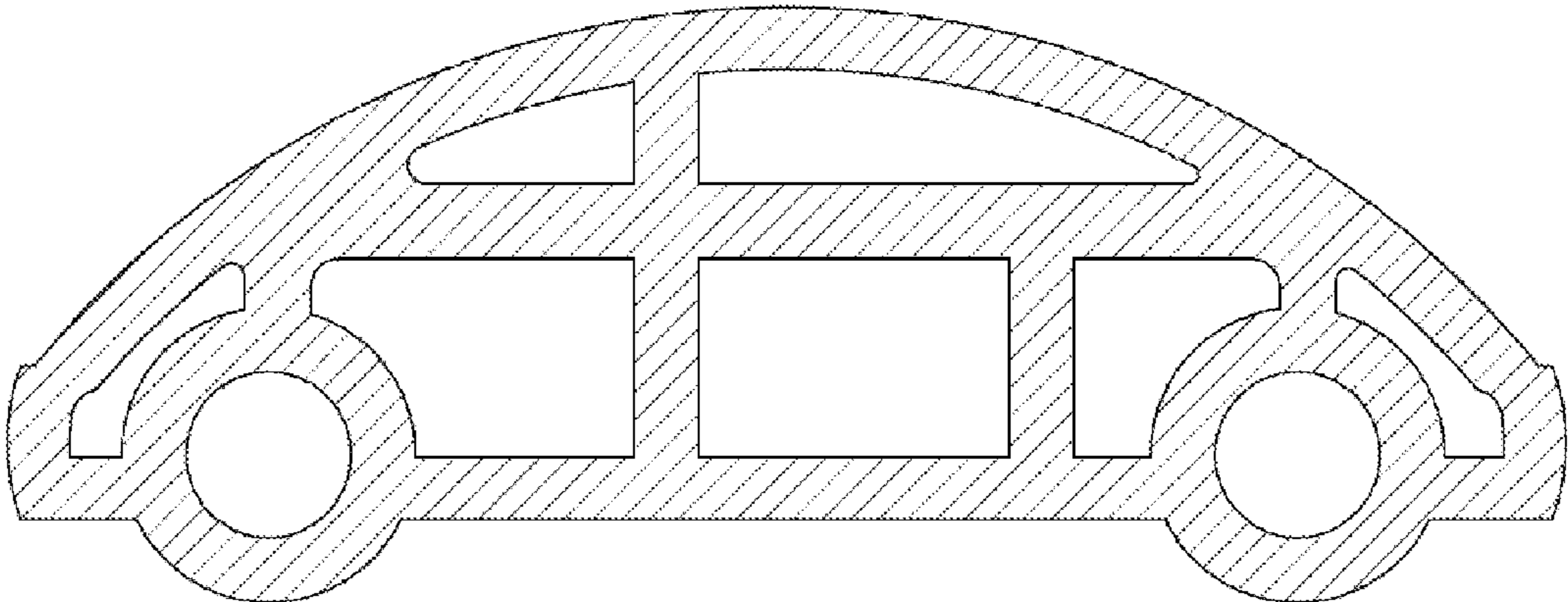


FIG. 2

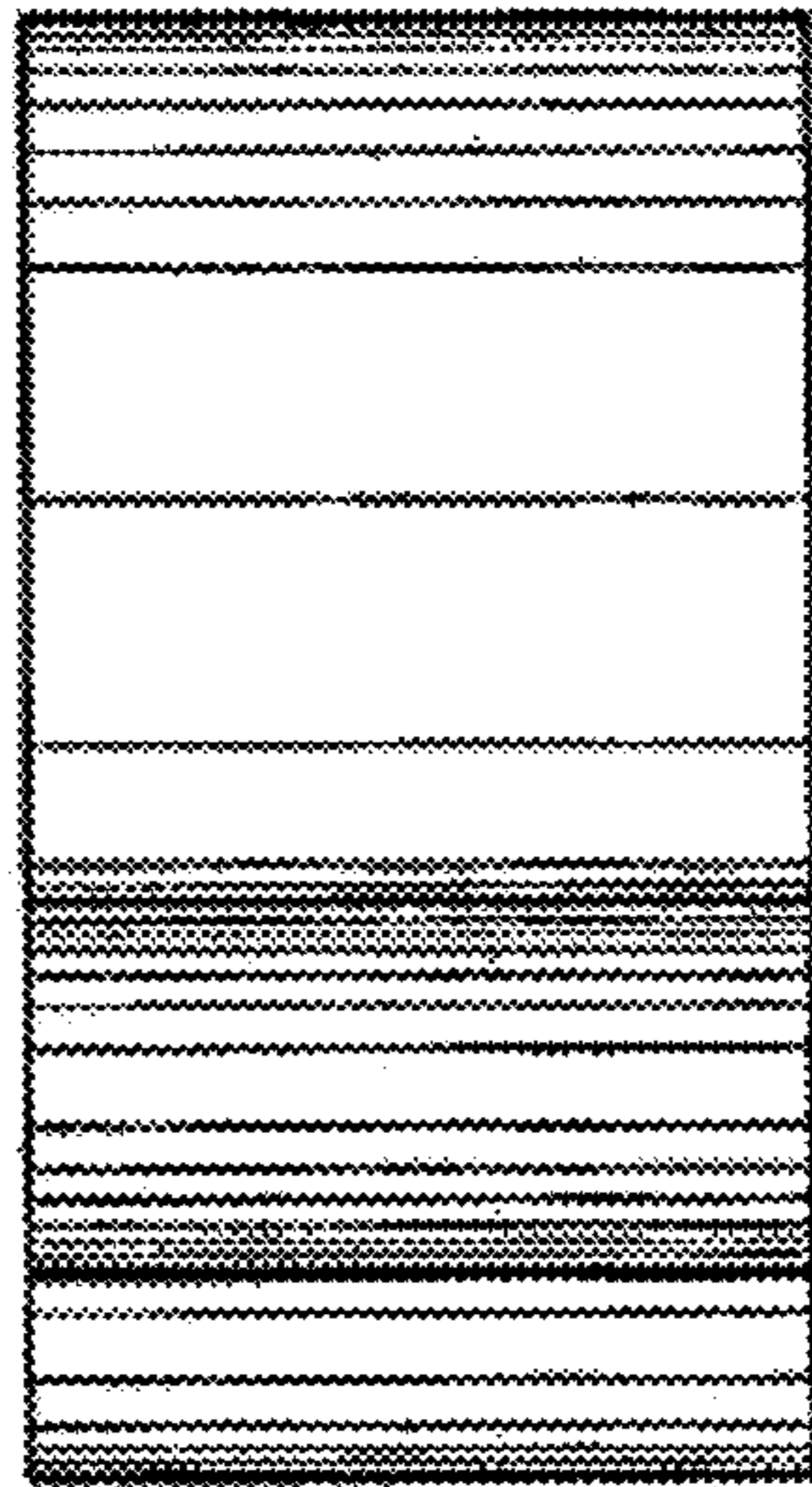


FIG. 3

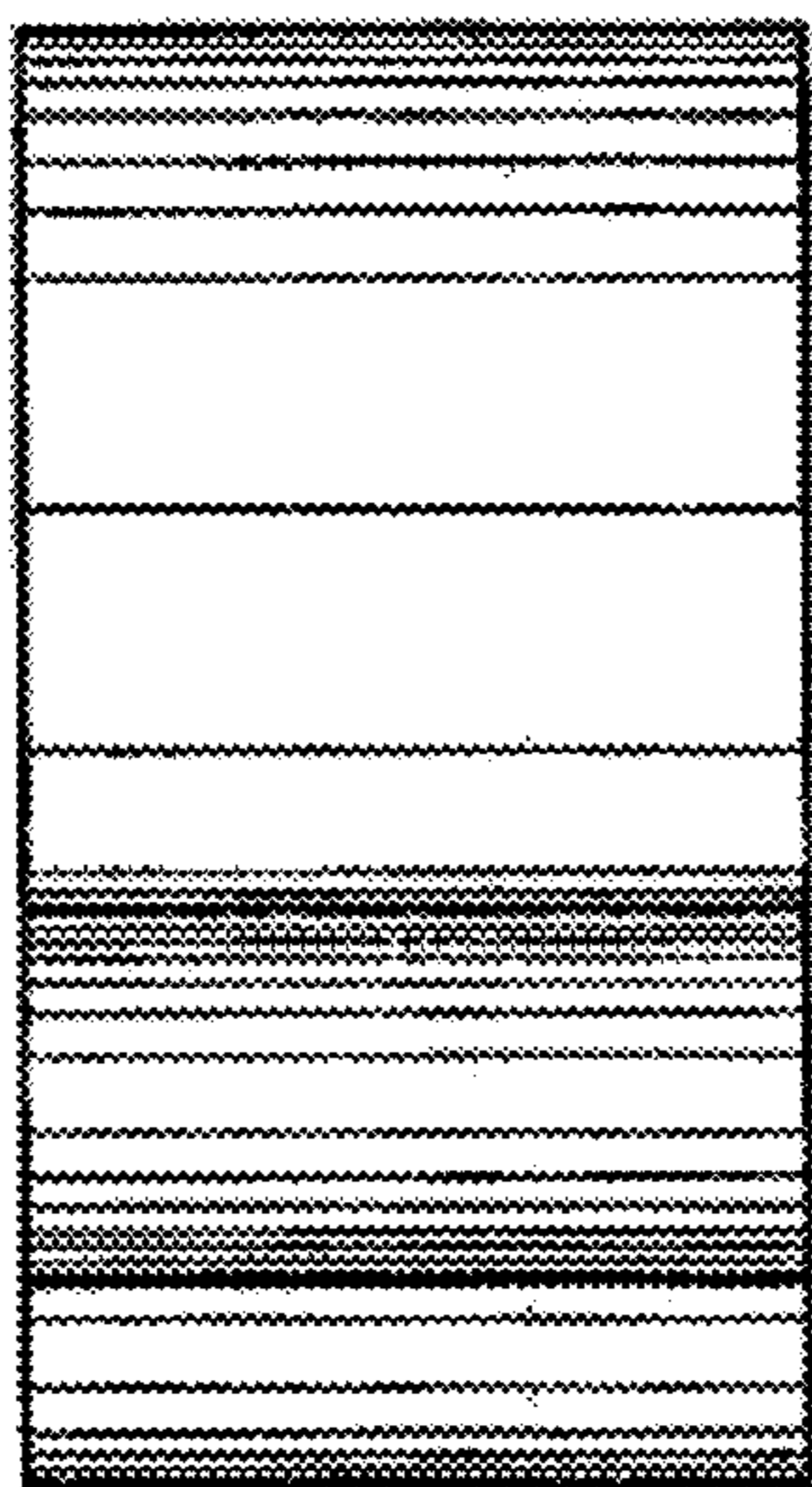


FIG. 4



FIG. 5

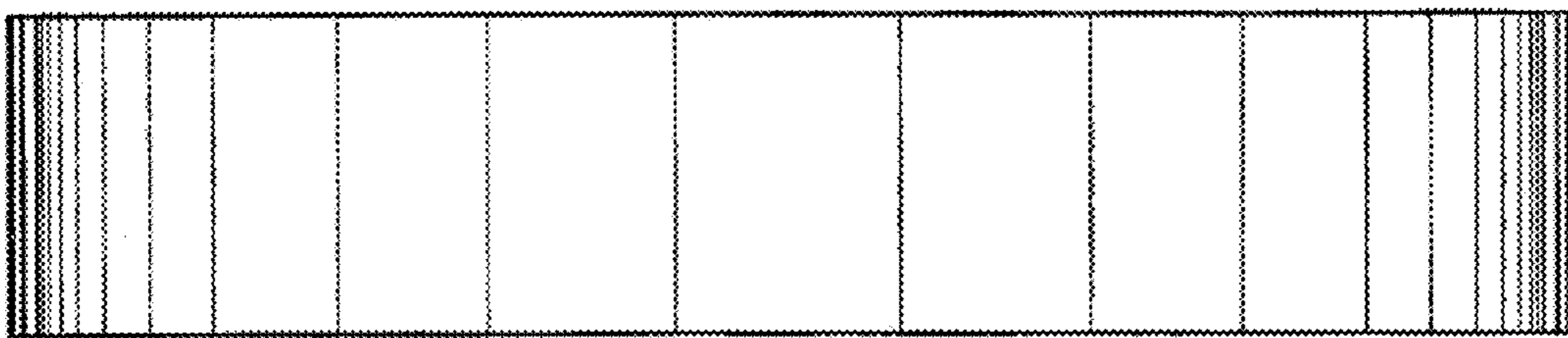


FIG. 6