



US00D689255S

(12) **United States Design Patent**
Sun Ting Kung et al.

(10) **Patent No.:** **US D689,255 S**
(45) **Date of Patent:** **** Sep. 3, 2013**

(54) **HYGIENE PRODUCT RECEPTACLE**

(56) **References Cited**

(71) Applicant: **Rentokil Initial 1927 plc**, West Sussex (GB)

(72) Inventors: **Jeremy Sun Ting Kung**, Singapore (SG); **Michael Toh Chong Nam**, Singapore (SG); **Ryan Toh Kian Seng**, Singapore (SG); **Daze Lee**, Singapore (SG); **Danny Chu Wen Hing**, Singapore (SG); **Sit Wai Yong**, Singapore (SG); **Yazid Bin Ahmad**, Singapore (SG); **Chin Leong Kwek**, Singapore (SG); **Tsin Tsung Ooi**, Singapore (SG)

(73) Assignee: **Rentokil Initial 1927 plc**, West Sussex (GB)

(**) Term: **14 Years**

(21) Appl. No.: **29/437,036**

(22) Filed: **Nov. 12, 2012**

(51) **LOC (9) Cl.** **09-09**

(52) **U.S. Cl.**
USPC **D34/7**

(58) **Field of Classification Search**
USPC D34/1, 5, 6, 7, 8, 9, 10, 11; 220/908, 220/908.1, 910, 911, 909

See application file for complete search history.

U.S. PATENT DOCUMENTS

D461,940	S	*	8/2002	Meinzinger et al.	D34/7
D463,084	S	*	9/2002	Forest	D34/1
D521,706	S	*	5/2006	Lin	D34/9
D530,475	S	*	10/2006	Lin	D34/7
D545,521	S	*	6/2007	Titas et al.	D34/7
7,243,811	B1	*	7/2007	Ramsey	220/495.11
D552,824	S	*	10/2007	Zimmerman	D34/7
D580,120	S	*	11/2008	Lin	D34/7
D587,874	S	*	3/2009	Lin	D34/7
D603,119	S	*	10/2009	Yang et al.	D34/7
D661,447	S	*	6/2012	Kluck	D34/1
D675,803	S	*	2/2013	Yang et al.	D34/7
2007/0210088	A1	*	9/2007	Wentz et al.	220/500

* cited by examiner

Primary Examiner — Cynthia Ramirez

(74) *Attorney, Agent, or Firm* — Merchant & Gould P.C.

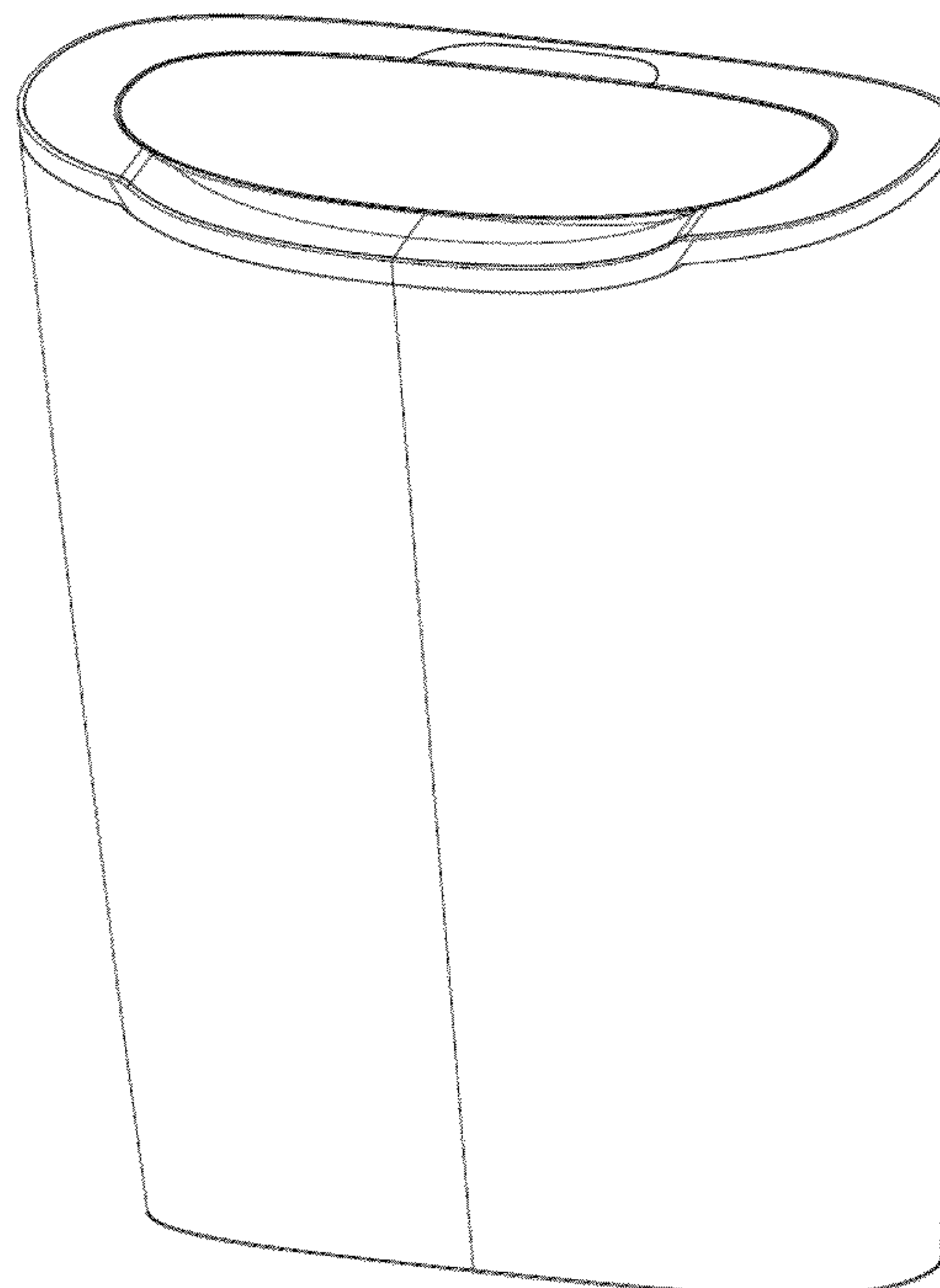
(57) **CLAIM**

The ornamental design for a hygiene product receptacle, as shown and described.

DESCRIPTION

FIG. 1 is a perspective view of a first embodiment showing our design thereof;
FIG. 2 is a top plan view;
FIG. 3 is a left side elevational view;
FIG. 4 is a front elevational view;
FIG. 5 is a right side elevational view;
FIG. 6 is a rear elevational view; and,
FIG. 7 is a bottom plan view thereof.

1 Claim, 7 Drawing Sheets



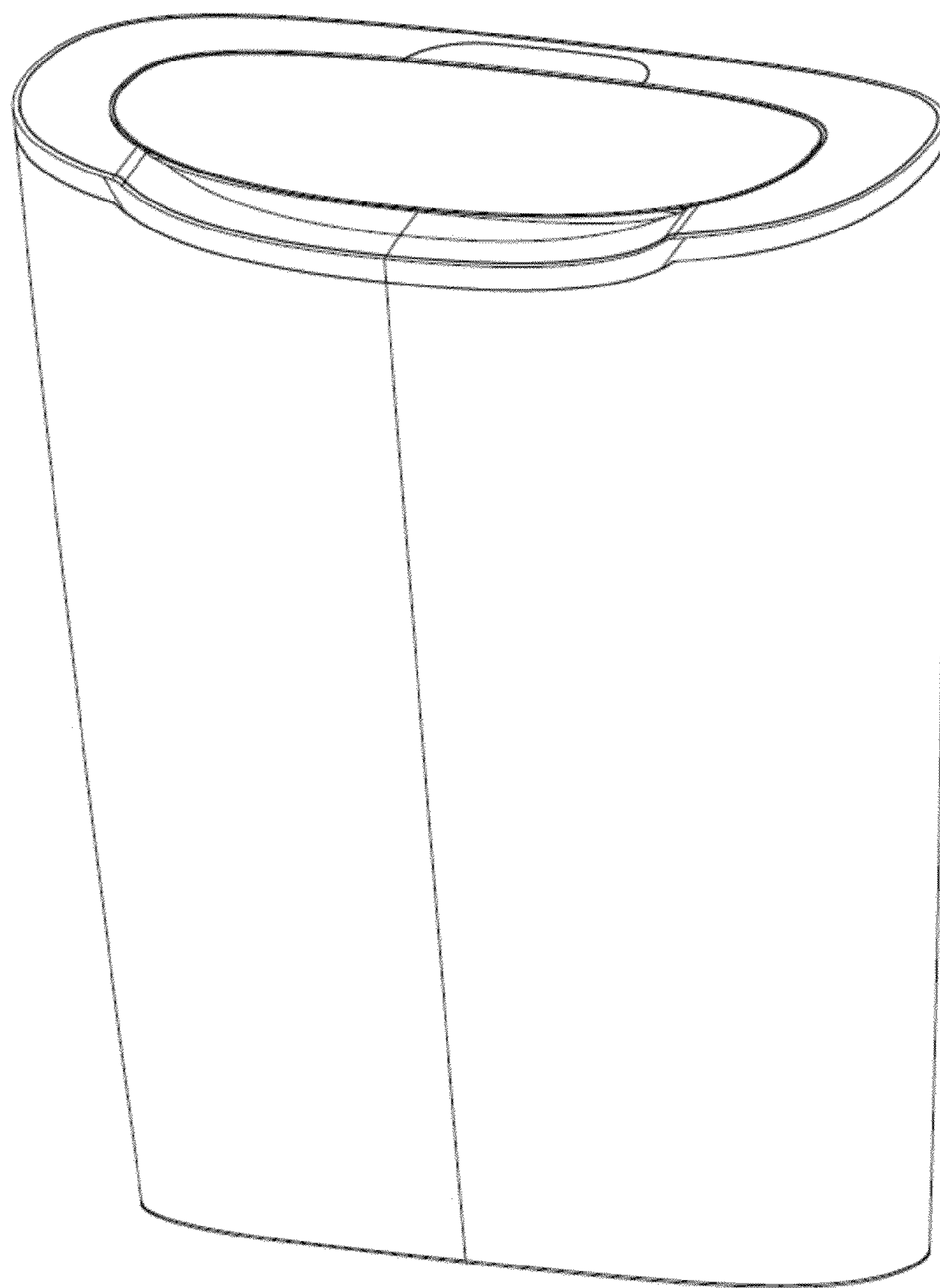


FIG. 1

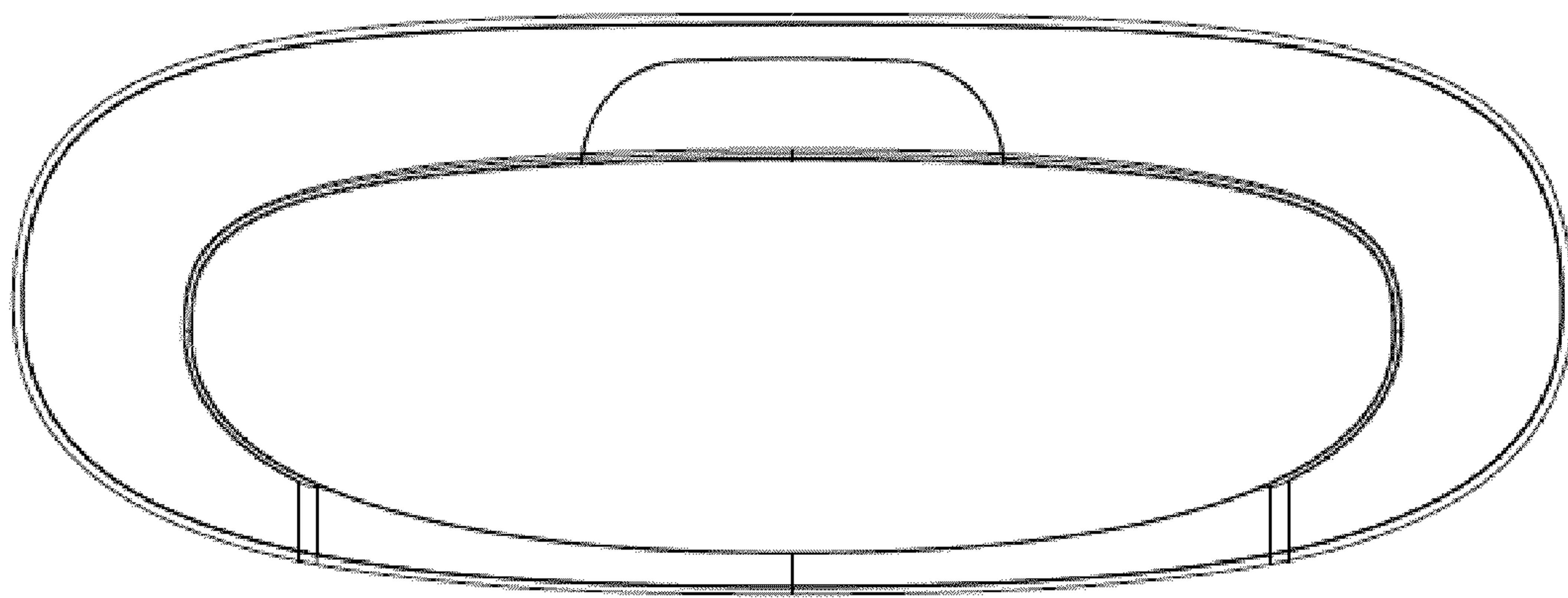


FIG. 2

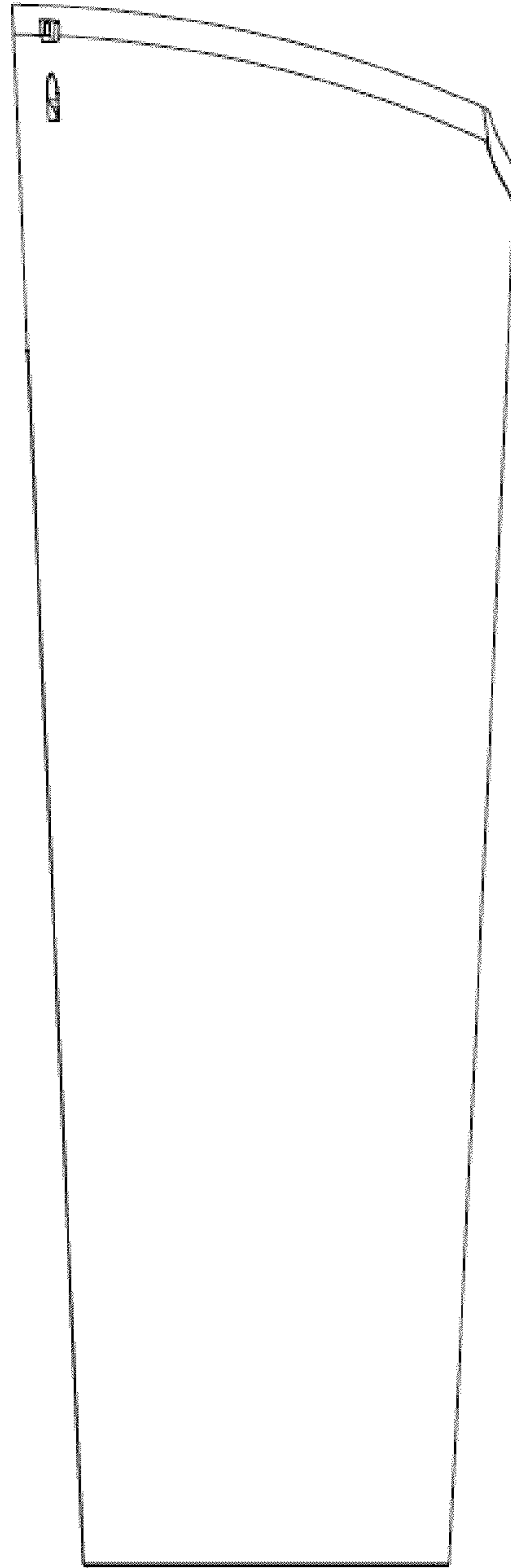


FIG. 3

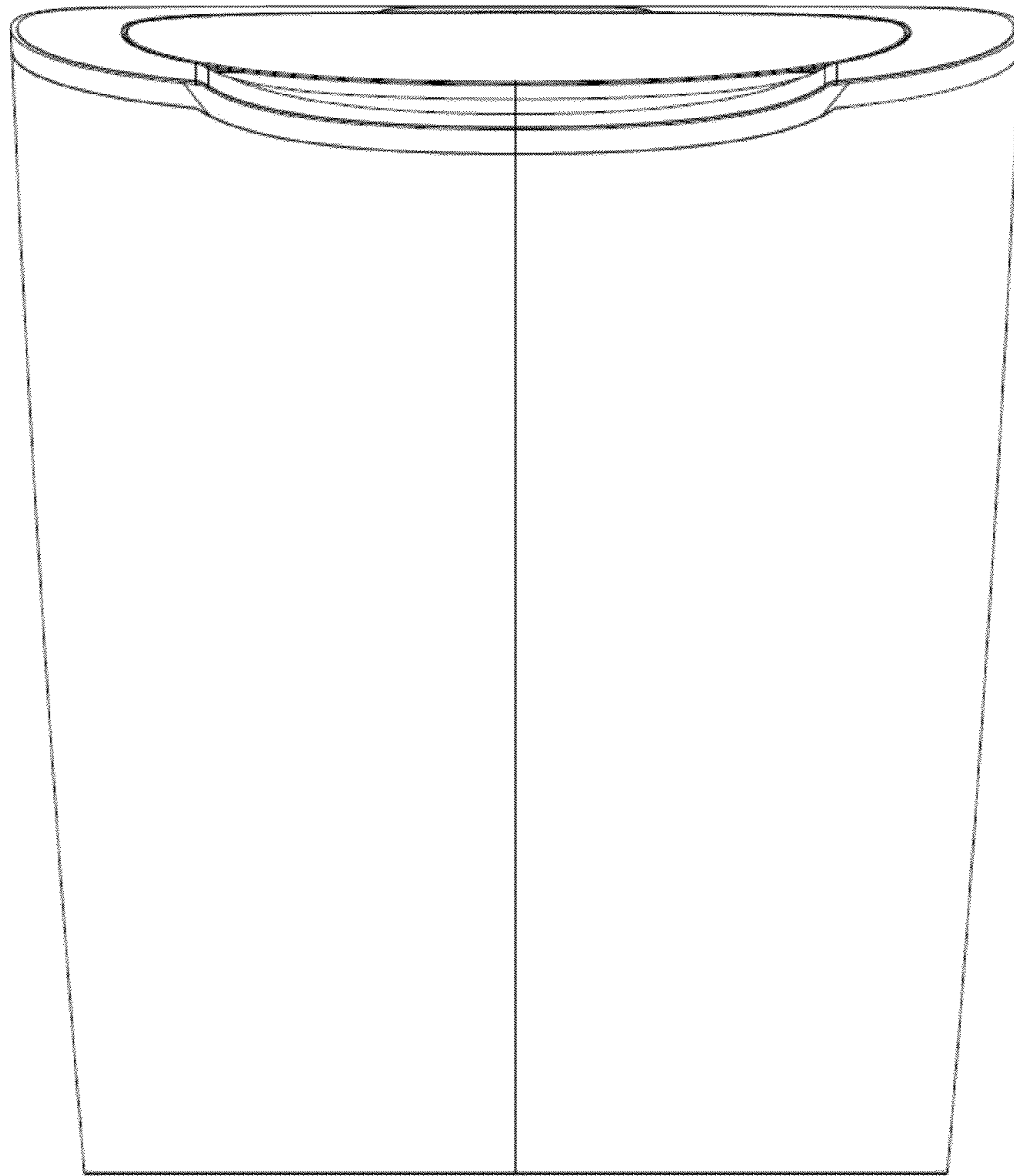


FIG. 4

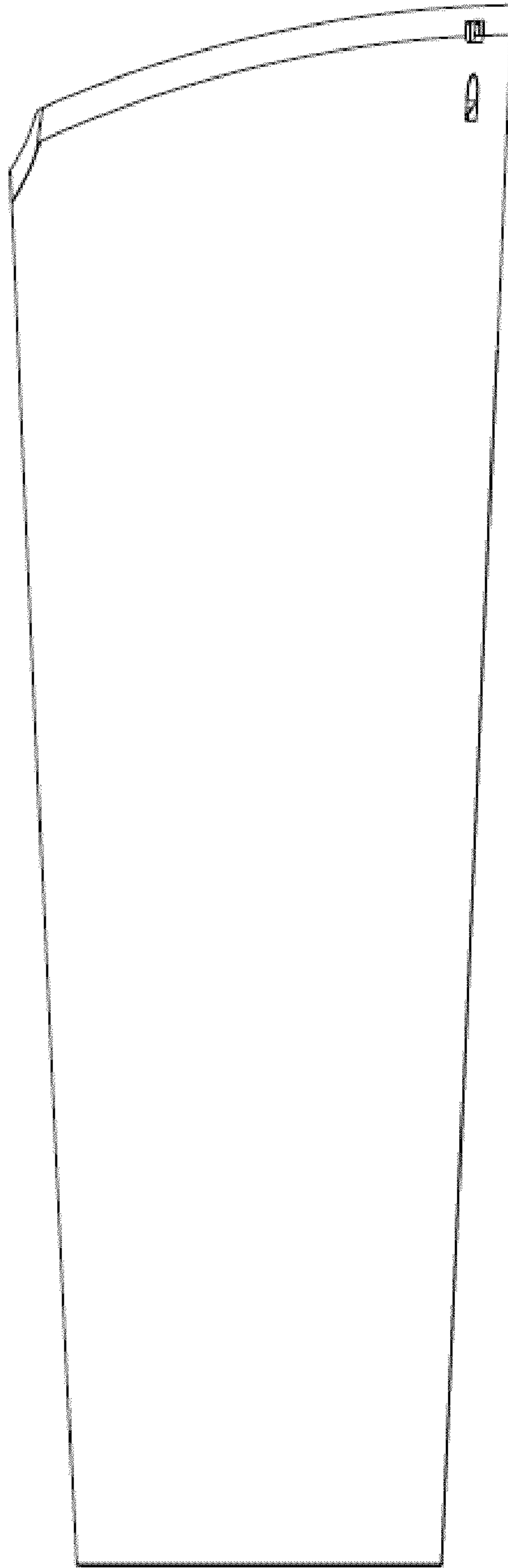


FIG. 5

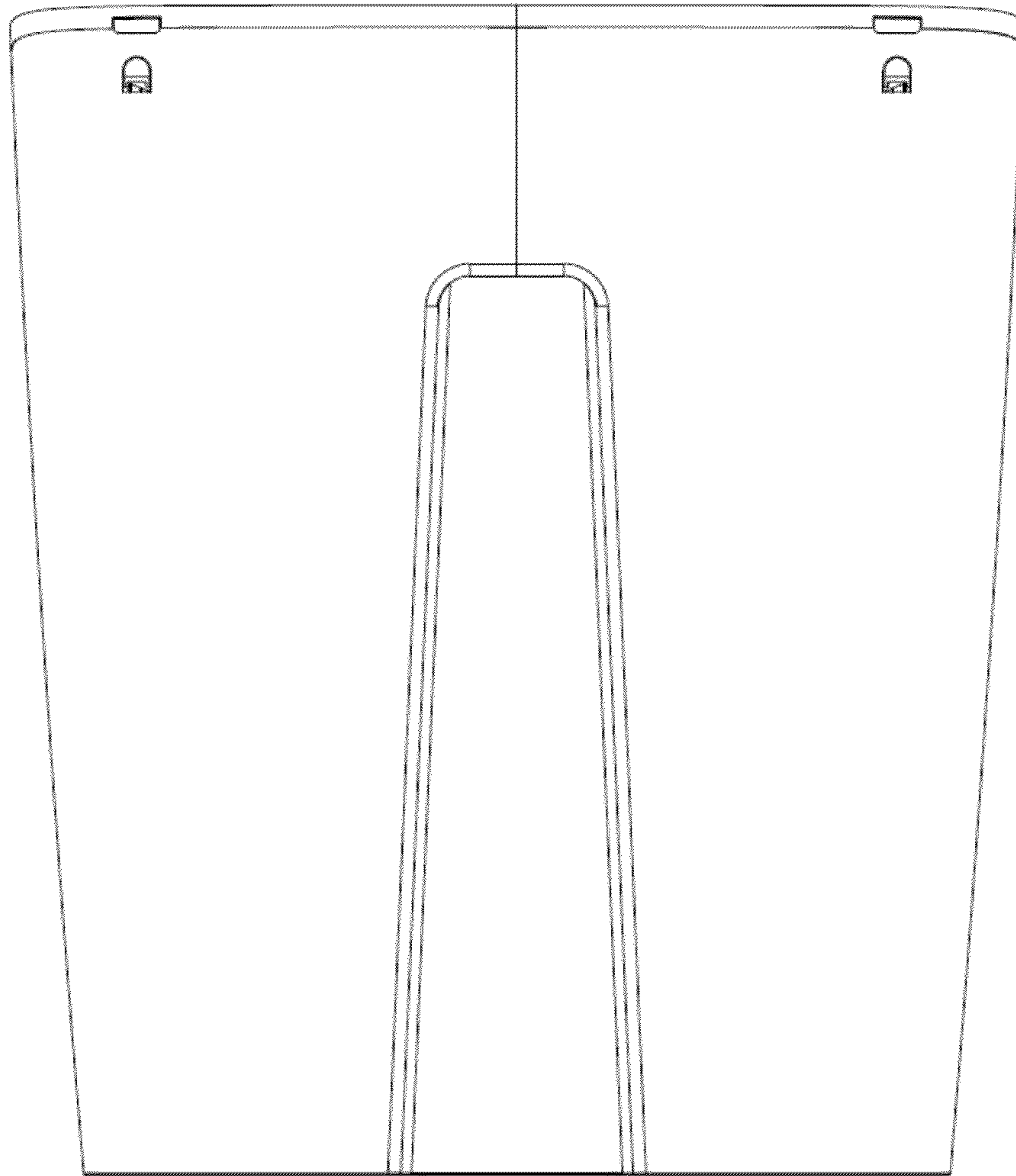


FIG. 6

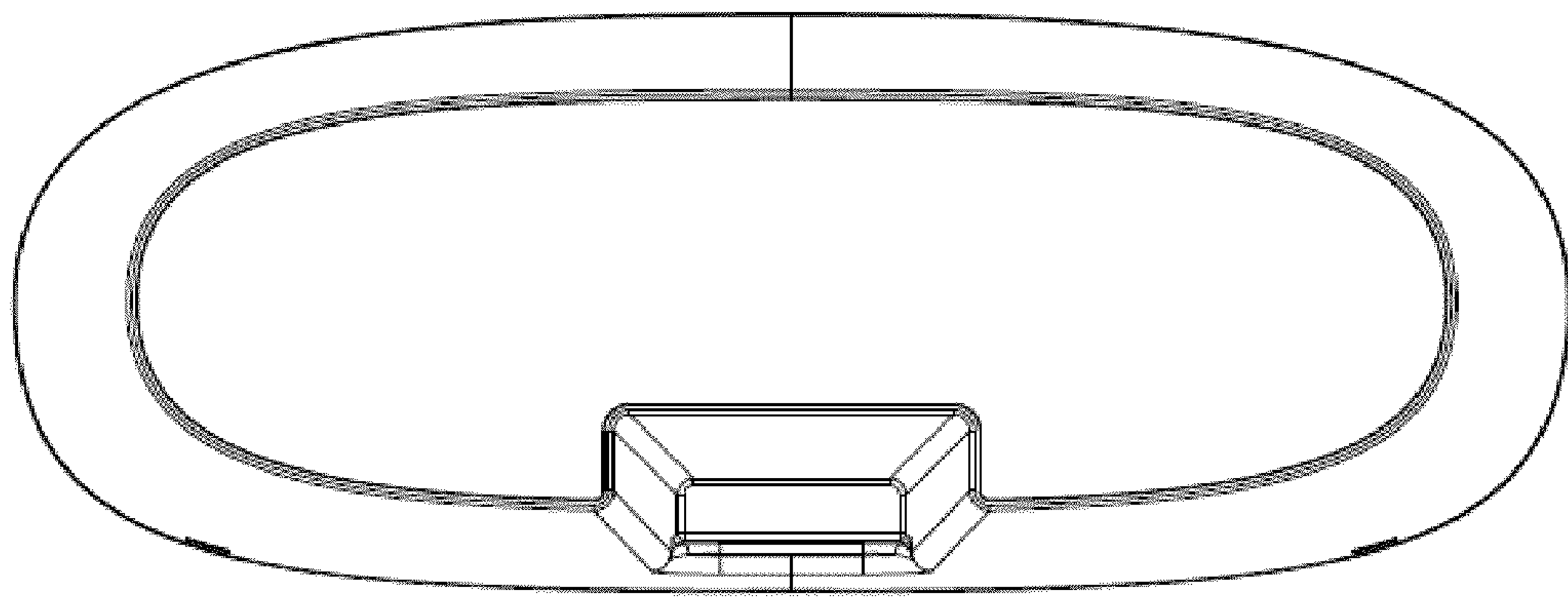


FIG. 7