



US00D689253S

(12) **United States Design Patent**
Stachowski et al.

(10) **Patent No.:** **US D689,253 S**
(45) **Date of Patent:** **** Sep. 3, 2013**

(54) **SCREEN CLEANER**

(75) Inventors: **Breanna Stachowski**, Elma, NY (US);
Michelle L. Hyers, Greenlawn, NY (US)

(73) Assignee: **Carson Optical, Inc.**, Hauppauge, NY
(US)

(**) Term: **14 Years**

(21) Appl. No.: **29/409,697**

(22) Filed: **Dec. 28, 2011**

(51) **LOC (9) Cl.** **08-99**

(52) **U.S. Cl.**
USPC **D32/35**

(58) **Field of Classification Search**
USPC D32/35, 40, 41, 42, 45, 52; D4/119,
D4/122, 137, 138, 199; D3/200, 208;
D14/480.7; 15/104.002, 104.94, 209.1,
15/105, 214, 244.4, 250.001, 250.003;
206/229; 134/6, 9; 401/6, 9, 19, 55, 61,
401/82, 99, 118, 123, 124, 180, 195, 196,
401/202; 510/175

See application file for complete search history.

(56) **References Cited**

U.S. PATENT DOCUMENTS

2,705,811	A *	4/1955	Moran	401/180
D288,018	S *	1/1987	Kawabe	D32/35
4,842,132	A *	6/1989	Wells	206/229
D318,178	S *	7/1991	Baker et al.	D3/200
D354,595	S	1/1995	Wasak	
D410,119	S *	5/1999	Pearson	D32/35
5,993,560	A *	11/1999	Wasak et al.	134/6
D427,400	S	6/2000	Stapleton et al.	
D433,236	S	11/2000	Katz et al.	
6,574,825	B1 *	6/2003	Boldy	15/244.4

(Continued)

OTHER PUBLICATIONS

Parkside's Side Kick (website: http://www.lenspen.com/?cPath=_2&products_id=SDK-1&tpid=323,
photo: [http://news.](http://news.dphotographer.co.uk/wp-content/uploads/2011/06/Sidekick-open1.jpg)

[dphotographer.co.uk/wp-content/uploads/2011/06/Sidekick-open1.jpg](http://news.dphotographer.co.uk/wp-content/uploads/2011/06/Sidekick-open1.jpg).

(Continued)

Primary Examiner — Caron D Veynar
Assistant Examiner — Martie K Holtje

(74) *Attorney, Agent, or Firm* — Carmody & Torrance LLP

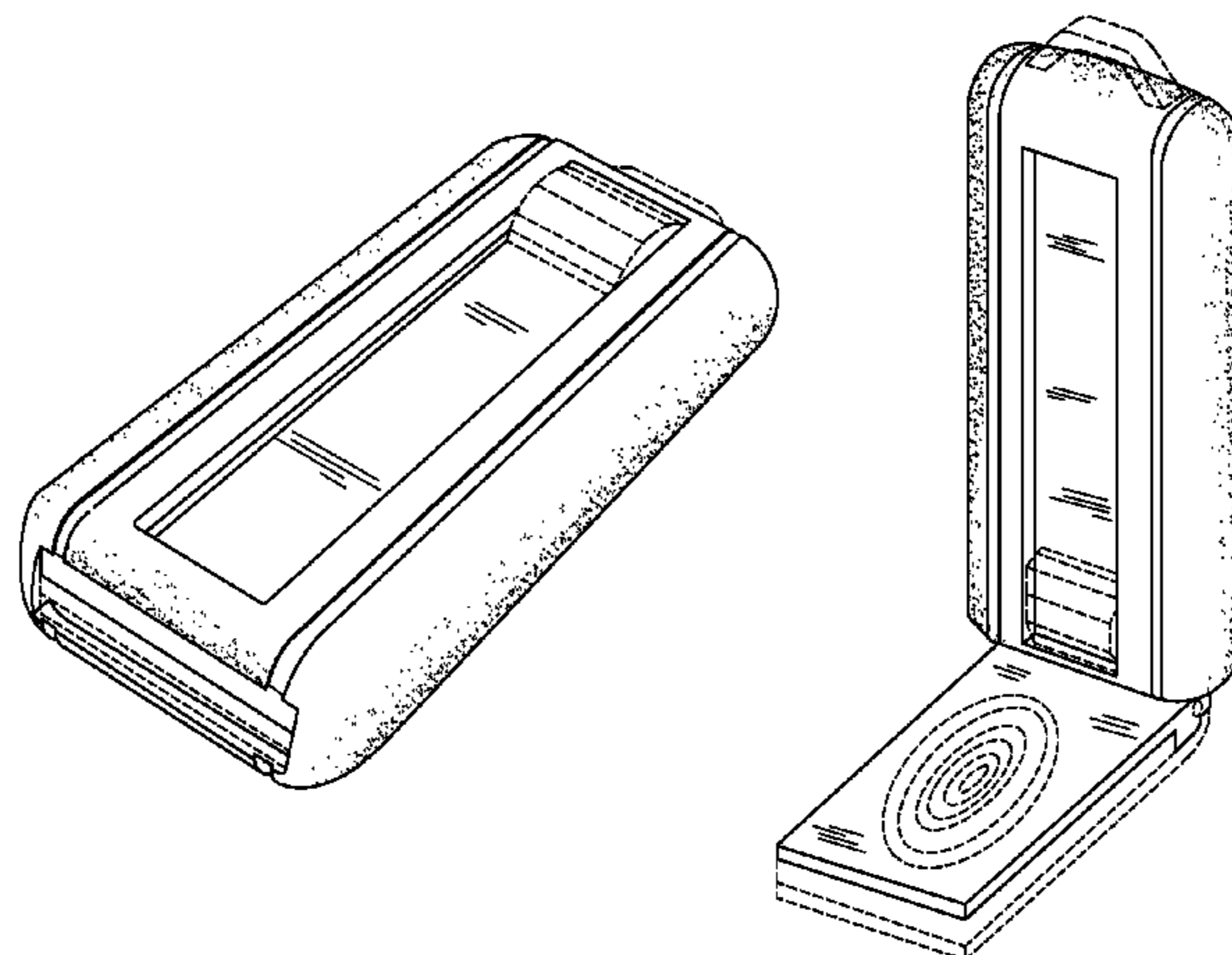
(57) **CLAIM**

The ornamental design for a screen cleaner, as shown and described.

DESCRIPTION

FIG. 1 is a perspective view of a screen cleaner showing our new design;
FIG. 2 is a front elevational view thereof;
FIG. 3 is a rear elevational view thereof;
FIG. 4 is a right side elevational view thereof;
FIG. 5 is a left side elevational view thereof;
FIG. 6 is a top plan view thereof;
FIG. 7 is a bottom plan view thereof;
FIG. 8 is a perspective view of a screen cleaner in an open position showing our new design;
FIG. 9 is a front elevational view of the screen cleaner as shown in FIG. 8;
FIG. 10 is a rear elevational view of the screen cleaner as shown in FIG. 8;
FIG. 11 is a right side elevational view of the screen cleaner as shown in FIG. 8;
FIG. 12 is a left side elevational view of the screen cleaner as shown in FIG. 8;
FIG. 13 is a top plan view of the screen cleaner as shown in FIG. 8; and,
FIG. 14 is a bottom plan view of the screen cleaner as shown in FIG. 8.
The dotted lines throughout all the figures are intended to show features that are environmental only and form no part of the claimed design.

1 Claim, 8 Drawing Sheets



(56)

References Cited

U.S. PATENT DOCUMENTS

D494,969 S * 8/2004 Lin D14/480.7
7,179,099 B2 * 2/2007 Hsieh 439/131
D566,360 S * 4/2008 Ungaro D32/35
D602,941 S * 10/2009 Lo D14/480.7
D608,065 S * 1/2010 Tse et al. D32/40
D609,870 S * 2/2010 Hilger et al. D32/40
D624,925 S * 10/2010 Lu D14/480.7
2003/0205244 A1 * 11/2003 Randall 134/9
2007/0009315 A1 * 1/2007 Wu 401/123

OTHER PUBLICATIONS

Parkside's Laptop Pro (website: http://www.lenspen.com/?cPath=__2&products_id=LTP-1&tpid=323).
Parkside's Vidimax (http://www.lenspen.com/?cPath=__2&products_id=VM-1&tpid=323).
Parkside's ScreenKlean (http://www.lenspen.com/?cPath=__2&products_id=MLTP-1&tpid=323).
Carson VidiMax.
Carson LapTop Pro.

* cited by examiner

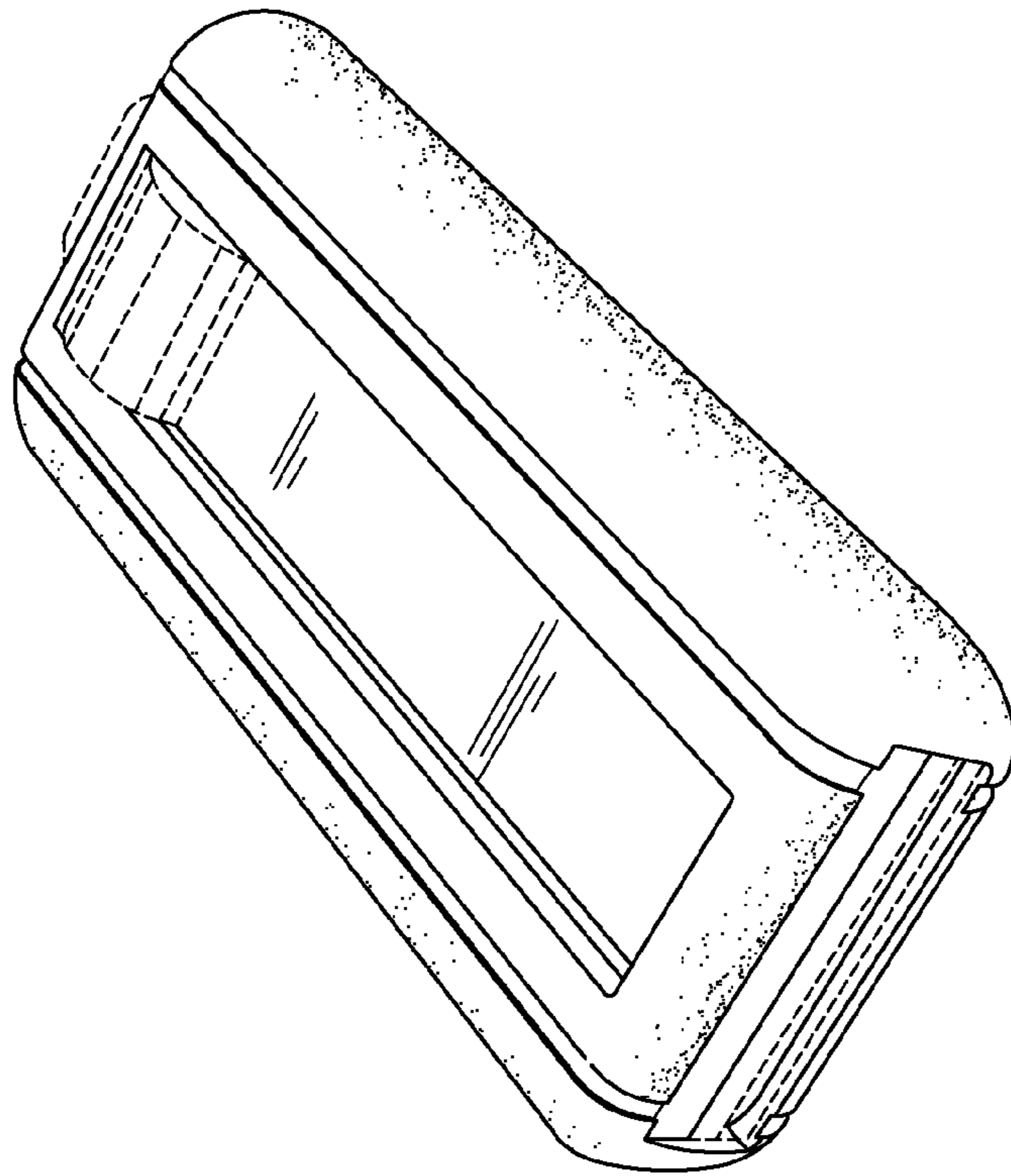


Fig. 1

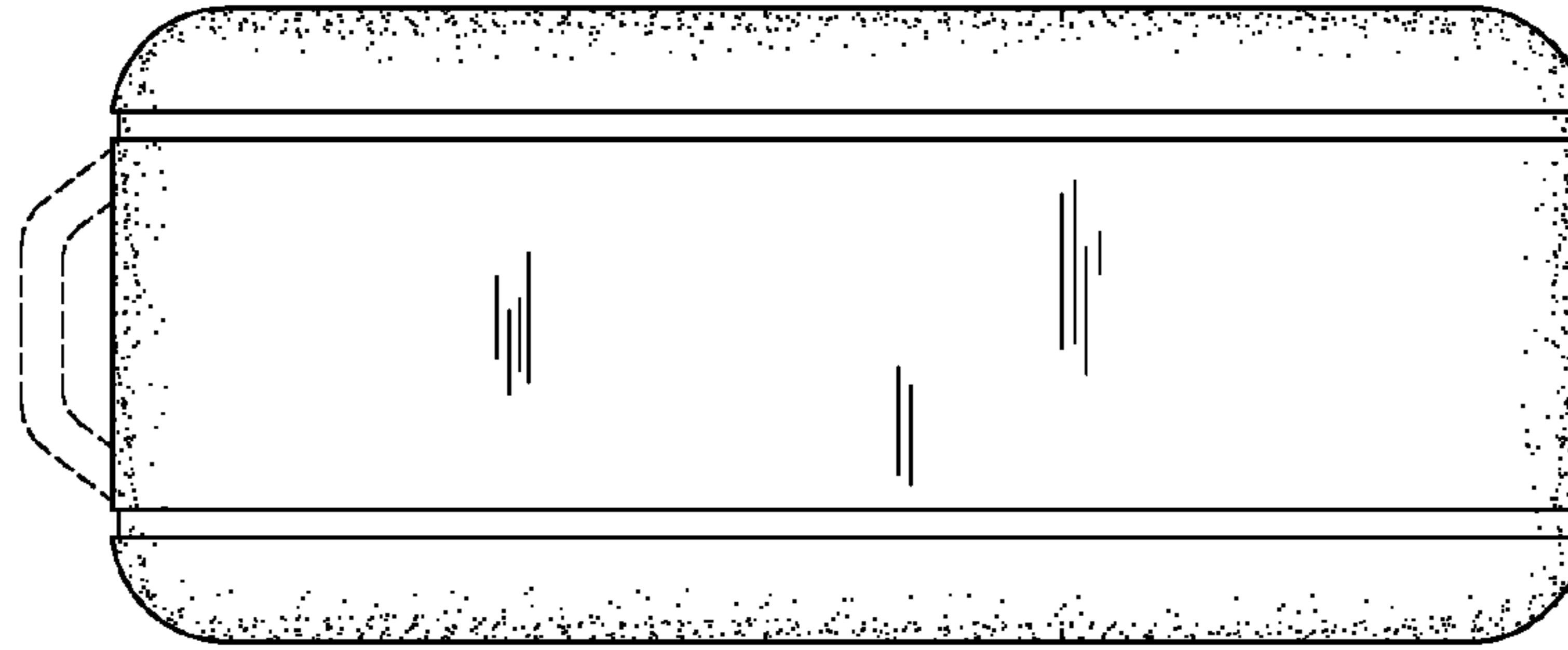


Fig. 3

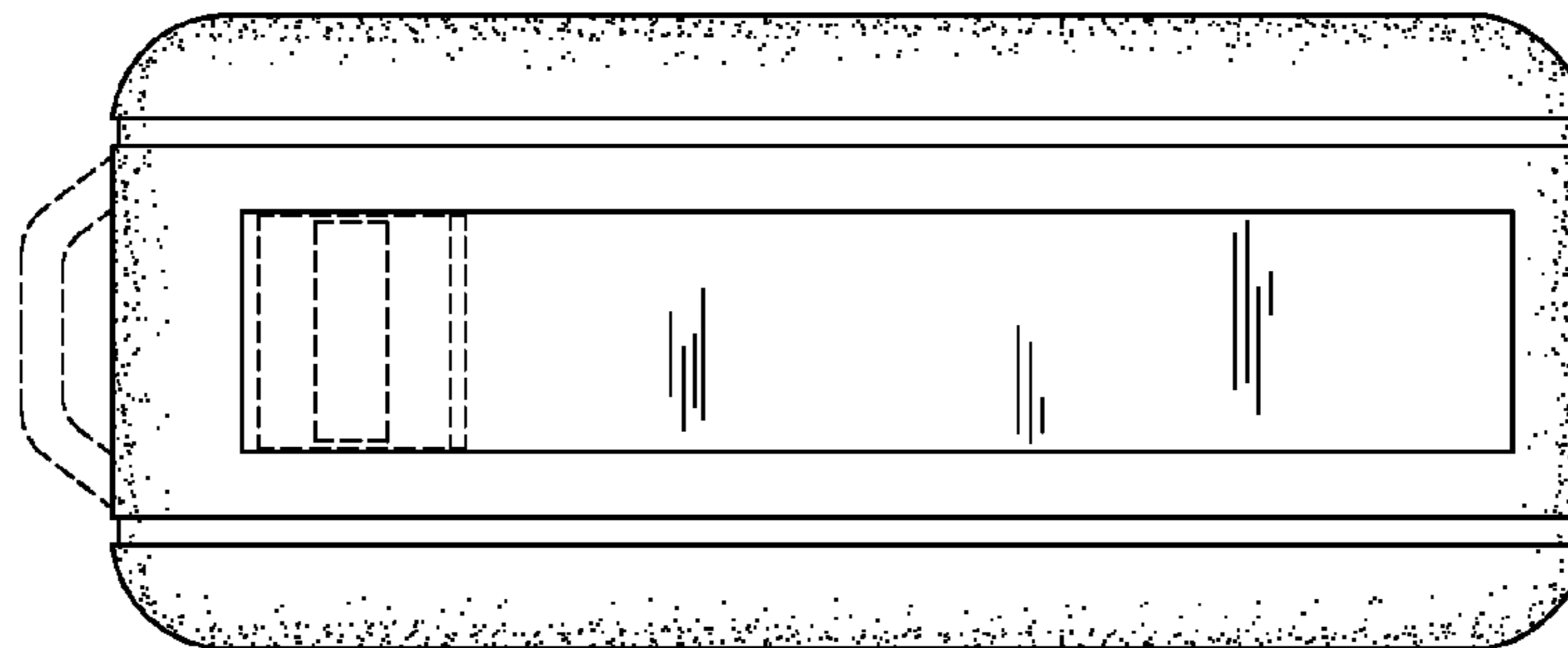


Fig. 2

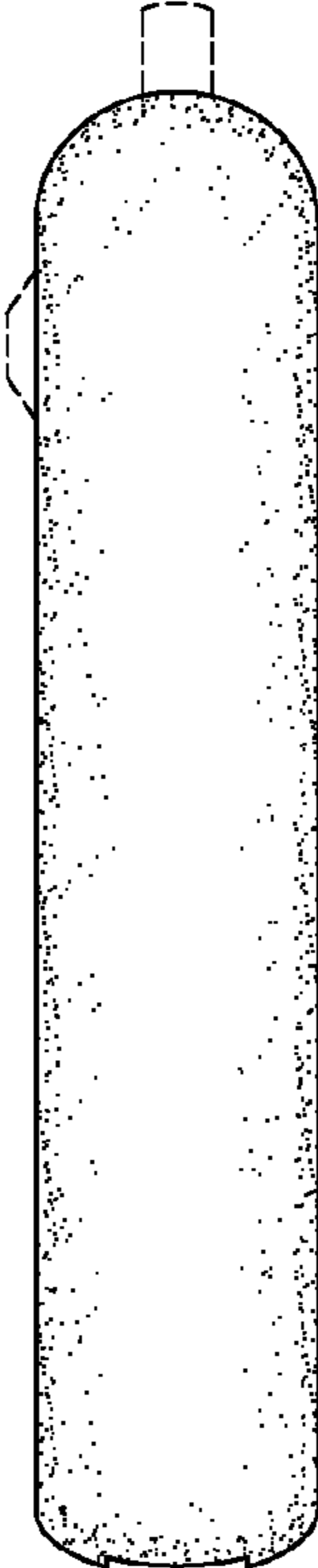


Fig. 4

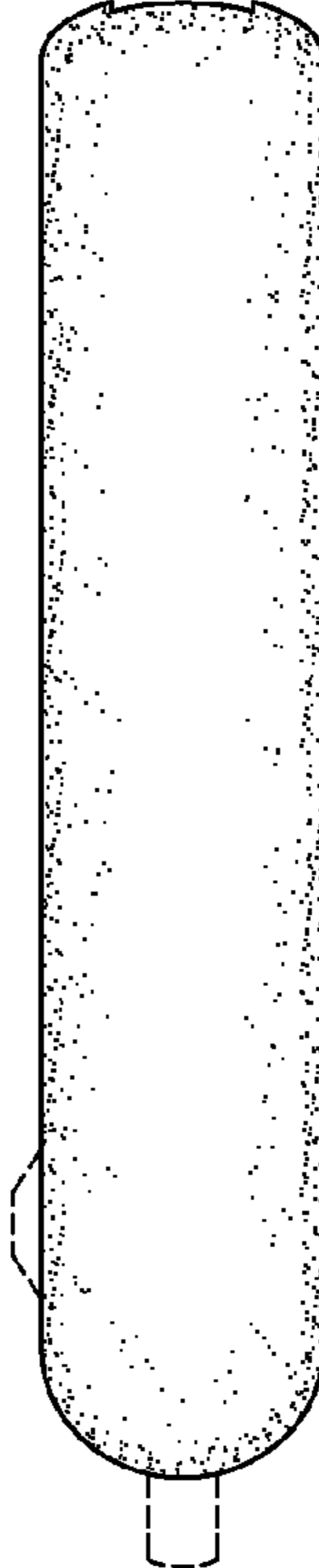


Fig. 5

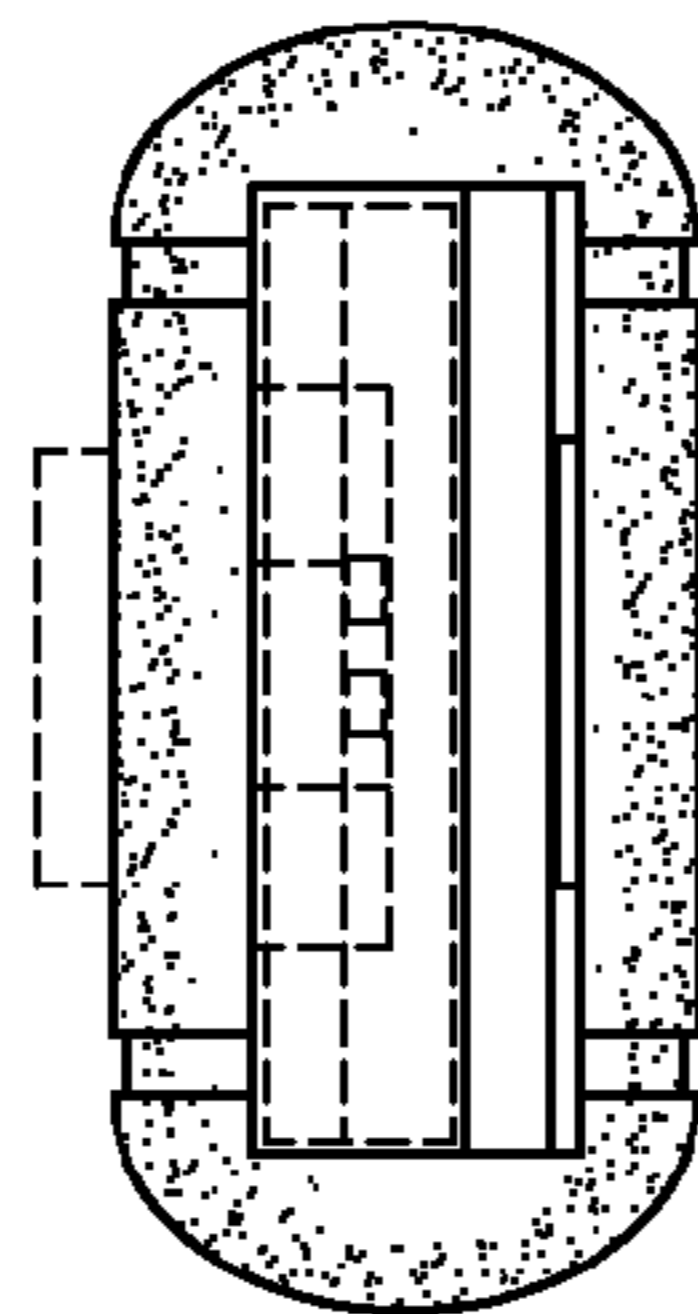


Fig. 7

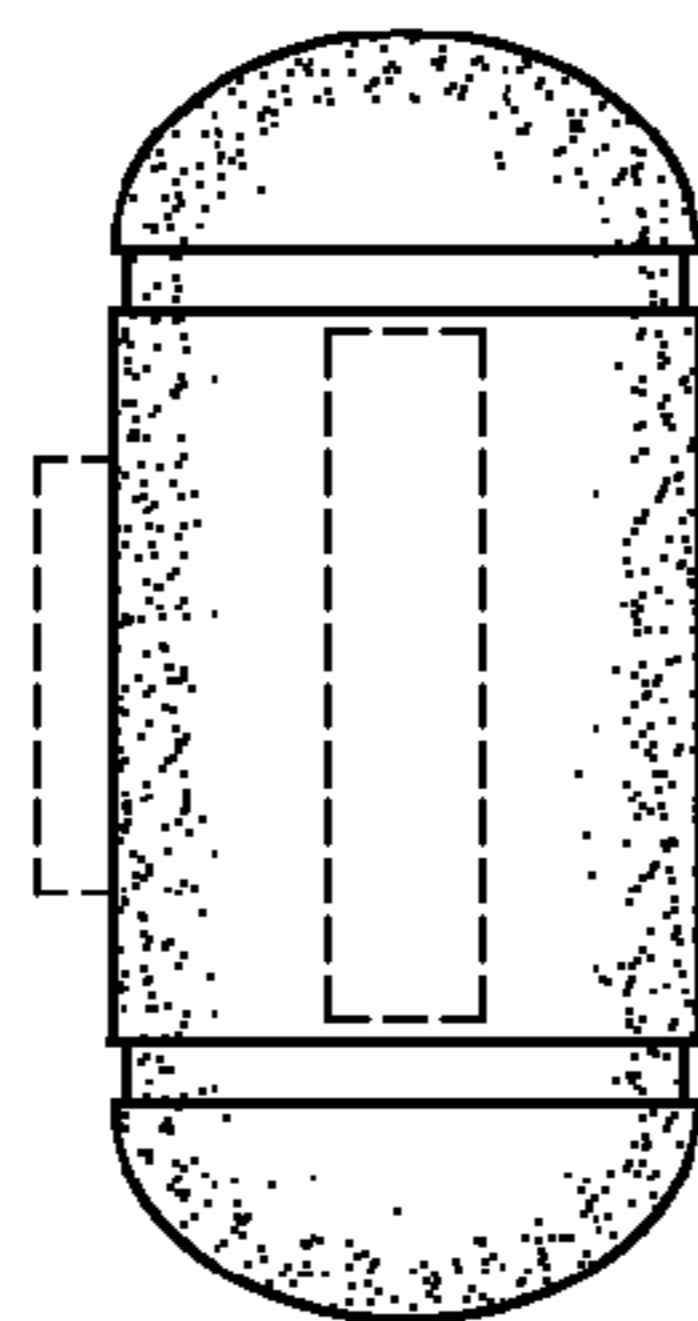


Fig. 6

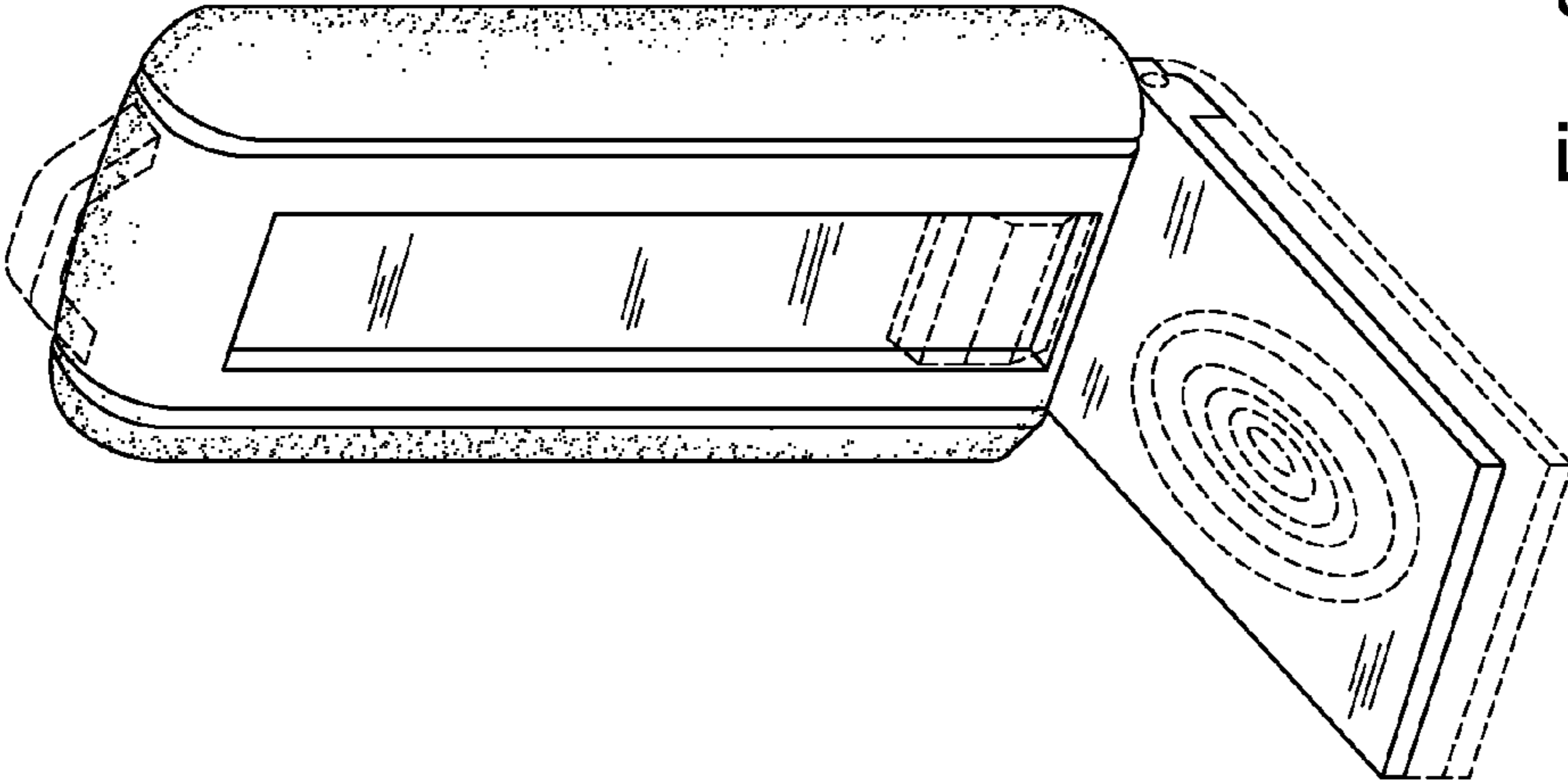


Fig. 8

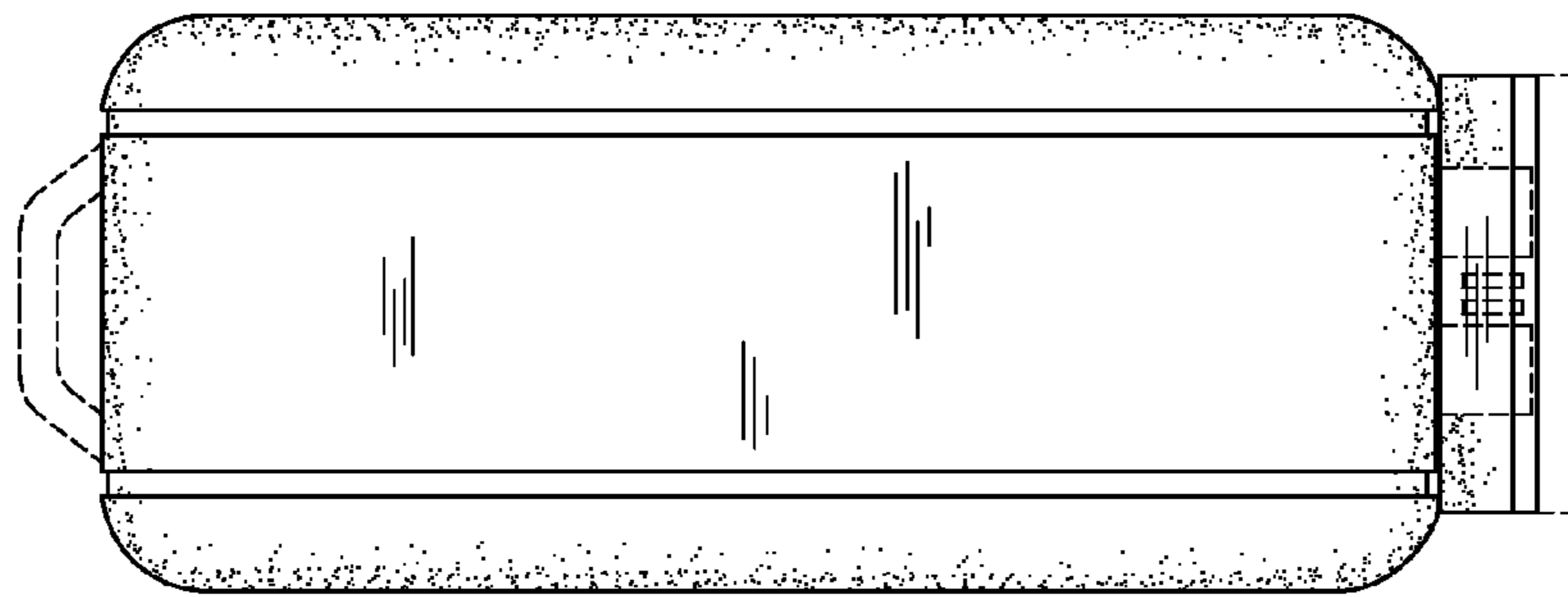


Fig. 10

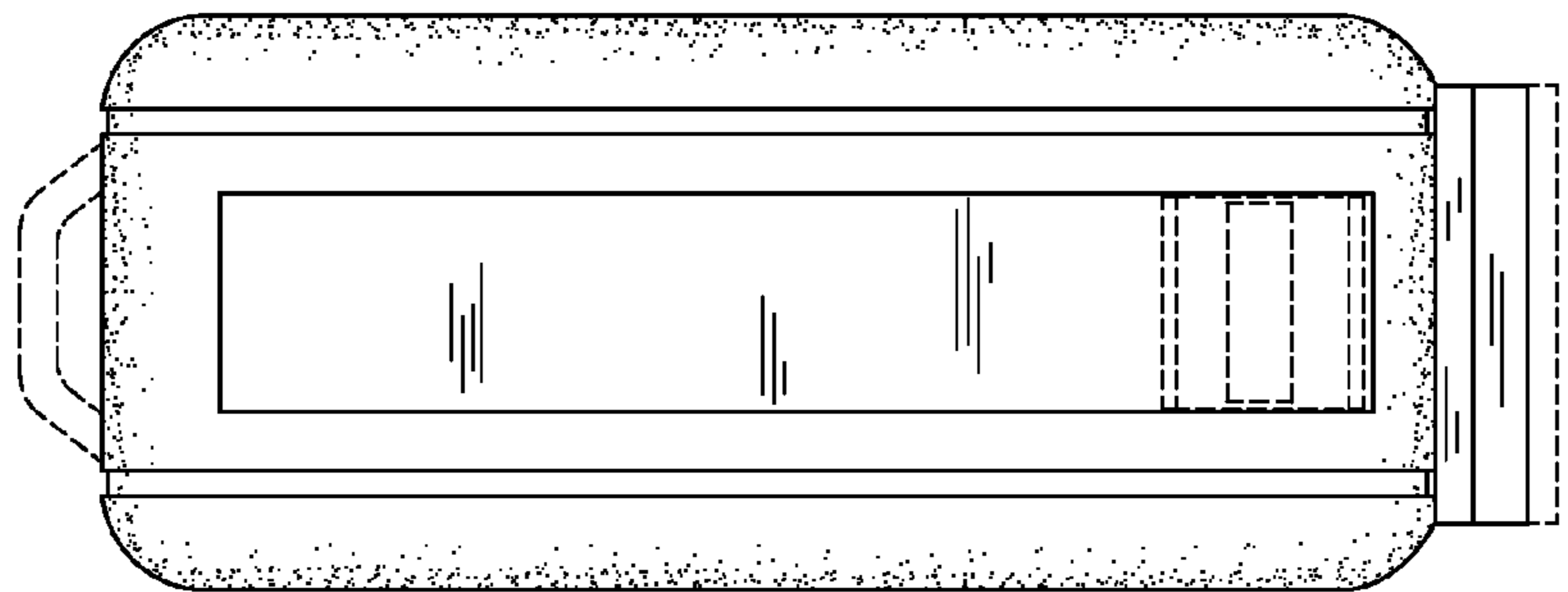


Fig. 9

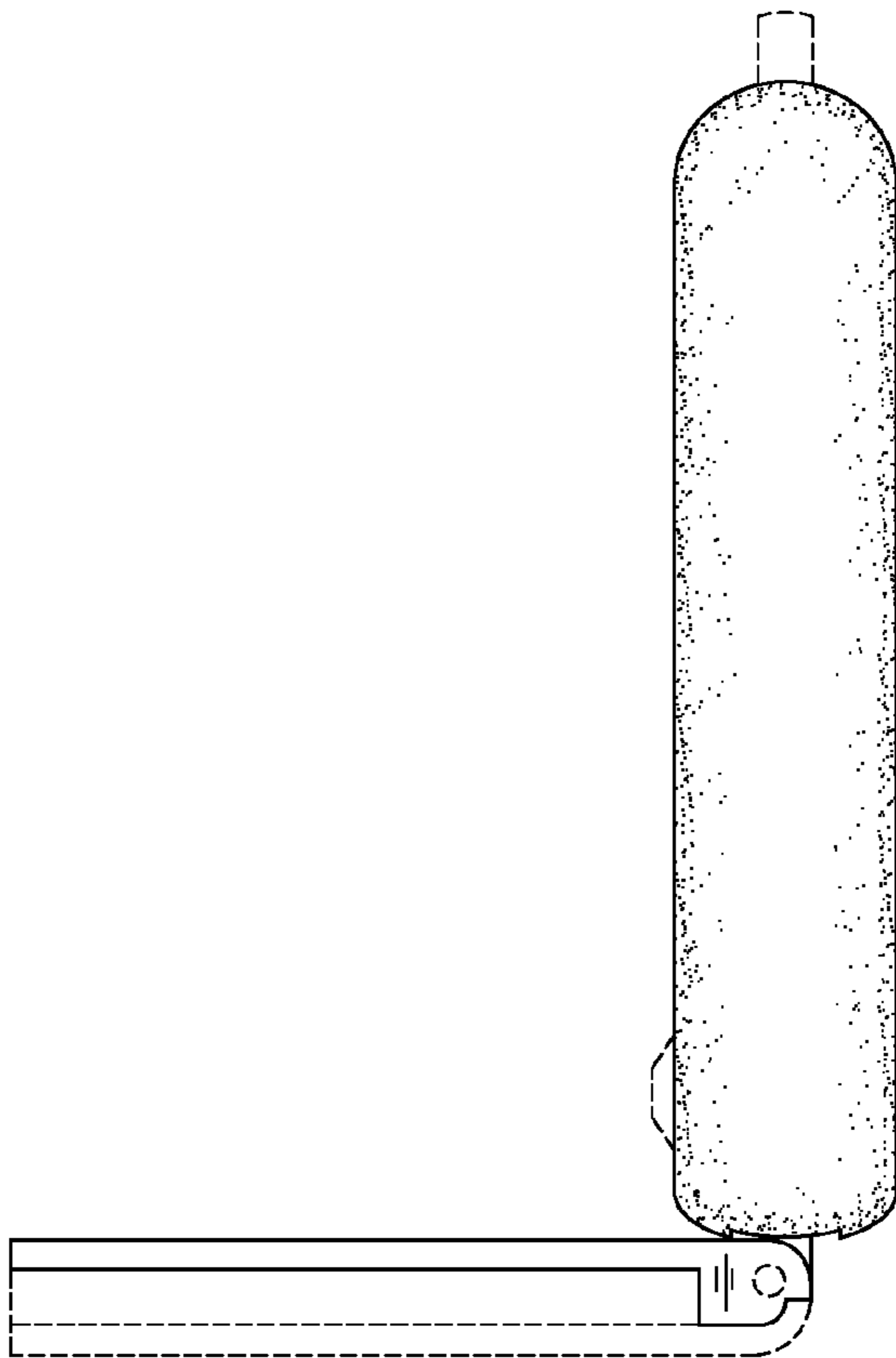


Fig. 11

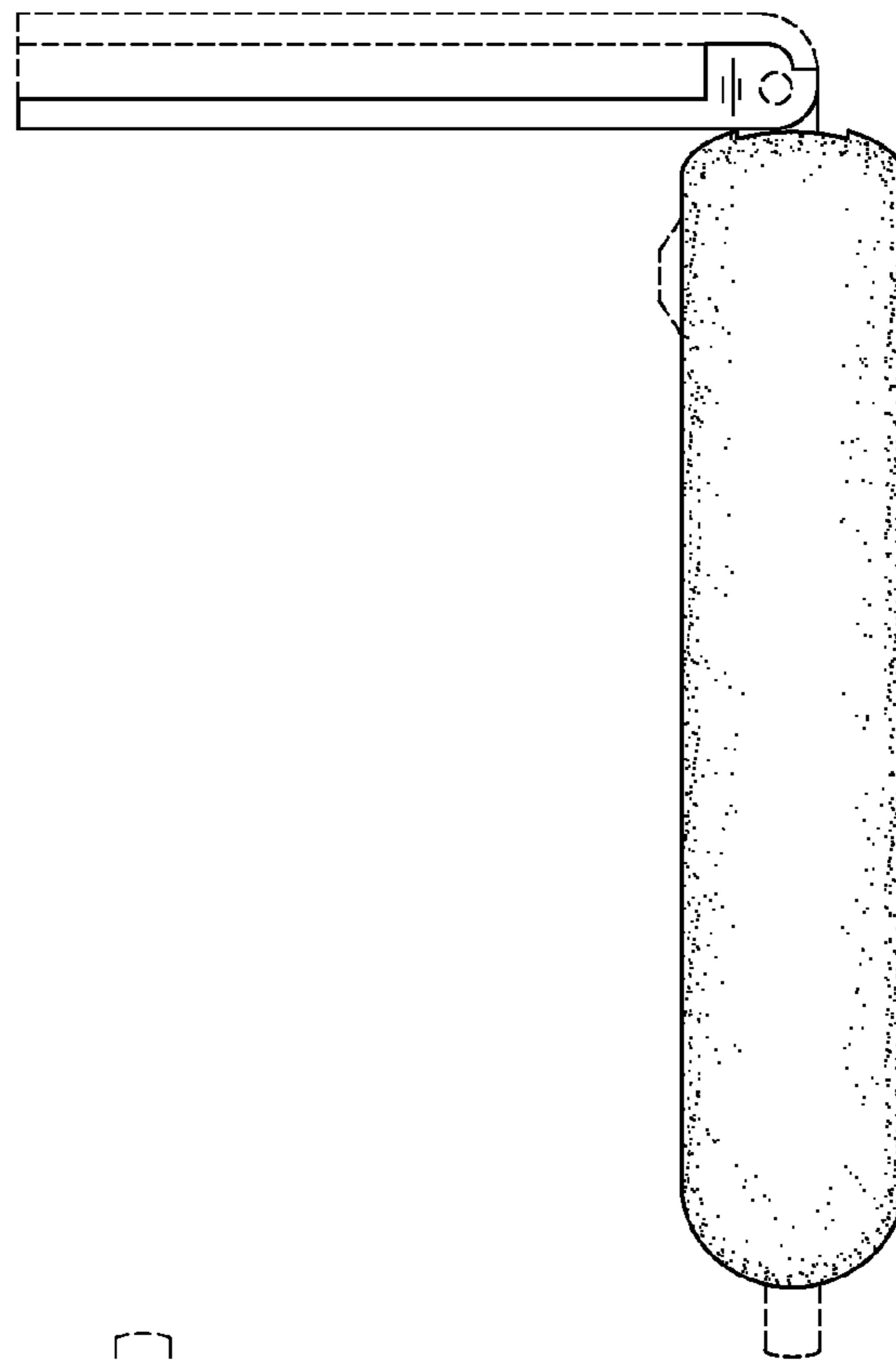


Fig. 12

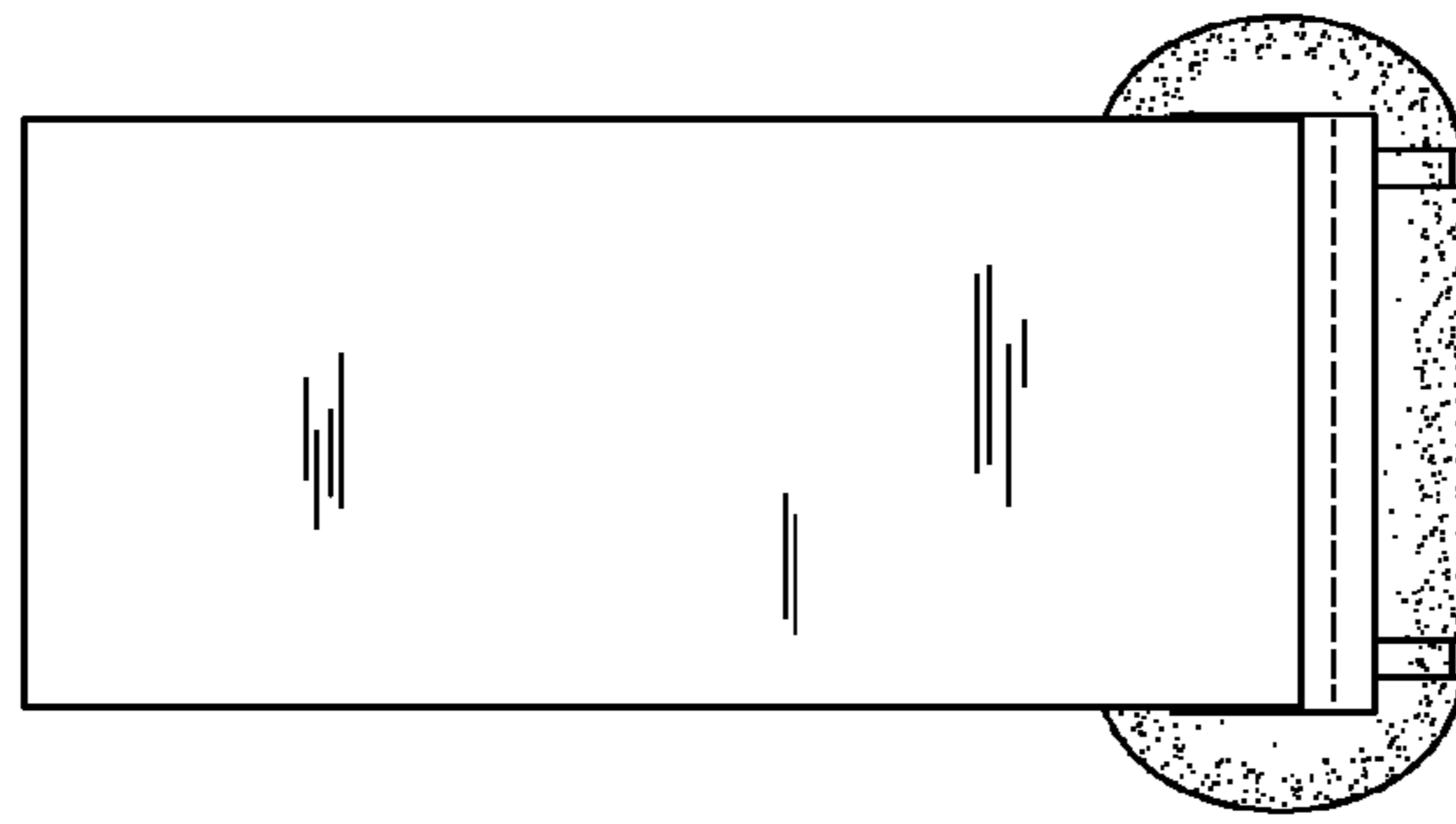


Fig. 14

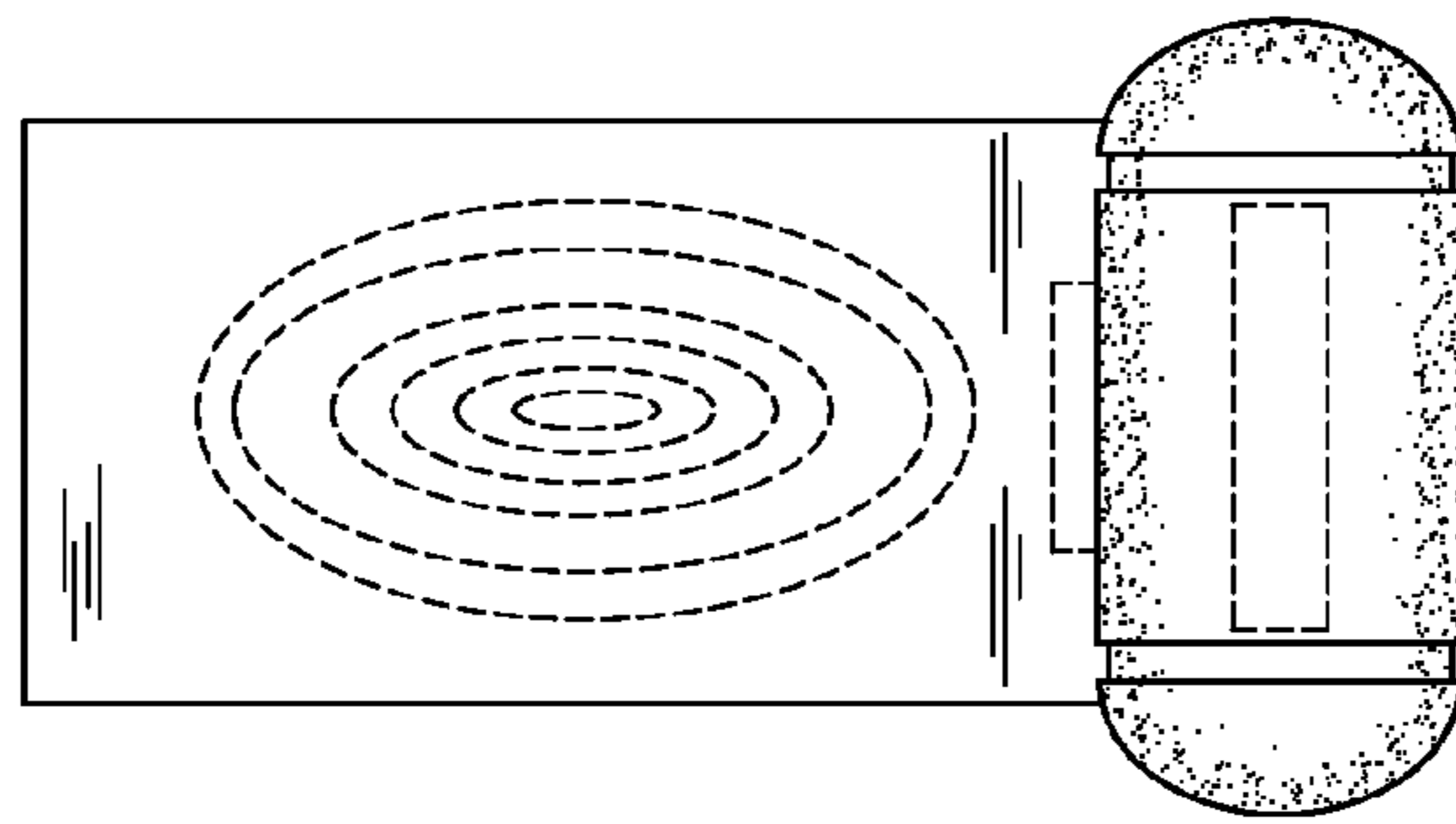


Fig. 13