



US00D689252S

(12) **United States Design Patent**
Benacquisto et al.

(10) **Patent No.:** **US D689,252 S**
(45) **Date of Patent:** **** Sep. 3, 2013**

(54) **PORTION OF FLOOR CLEANING MACHINE**

(75) Inventors: **Justin Benacquisto**, Caledonia, MI (US); **Dave Miller**, Zeeland, MI (US); **James Dangora**, Chicago, IL (US); **Jongho Nho**, Palatine, IL (US); **Paul Hatch**, Chicago, IL (US)

(73) Assignee: **BISSELL Homecare, Inc.**, Grand Rapids, MI (US)

(**) Term: **14 Years**

(21) Appl. No.: **29/415,401**

(22) Filed: **Mar. 9, 2012**

(51) **LOC (9) Cl.** **15-05**

(52) **U.S. Cl.**
USPC **D32/33**

(58) **Field of Classification Search**
USPC D32/21, 22, 31-34, 17, 42, 45, 50;
15/1.7, 415.1, 416-422.1, 414, 322, 353,
15/400, 327.1, 319, 366, 383, 179, 182, 41.1,
15/320, 403

See application file for complete search history.

(56) **References Cited**

U.S. PATENT DOCUMENTS

D346,679 S * 5/1994 Bradd et al. D32/22
D385,072 S * 10/1997 Bradd D32/32
D387,522 S * 12/1997 Medema D32/33
D396,905 S * 8/1998 Bradd D32/32

D420,179 S * 2/2000 Medema et al. D32/33
D431,887 S * 10/2000 Bradd et al. D32/33
D439,384 S * 3/2001 Medema D32/32
D463,635 S * 9/2002 Wareham D32/32
6,446,302 B1 * 9/2002 Kasper et al. 15/319
D469,938 S * 2/2003 Wareham et al. D32/32
D472,353 S * 3/2003 Zahuranec et al. D32/33
D520,195 S * 5/2006 Carr et al.
D533,698 S * 12/2006 Medema et al. D32/32
D545,012 S * 6/2007 Parr et al. D32/32
D598,170 S * 8/2009 Benacquisto et al. D32/32
D598,618 S * 8/2009 Benacquisto et al. D32/32
D633,667 S * 3/2011 Santiago D32/22
2012/0131760 A1 * 5/2012 Louis et al. 15/320

* cited by examiner

Primary Examiner — Ruth McInroy

(74) *Attorney, Agent, or Firm* — McGarry Bair PC

(57) **CLAIM**

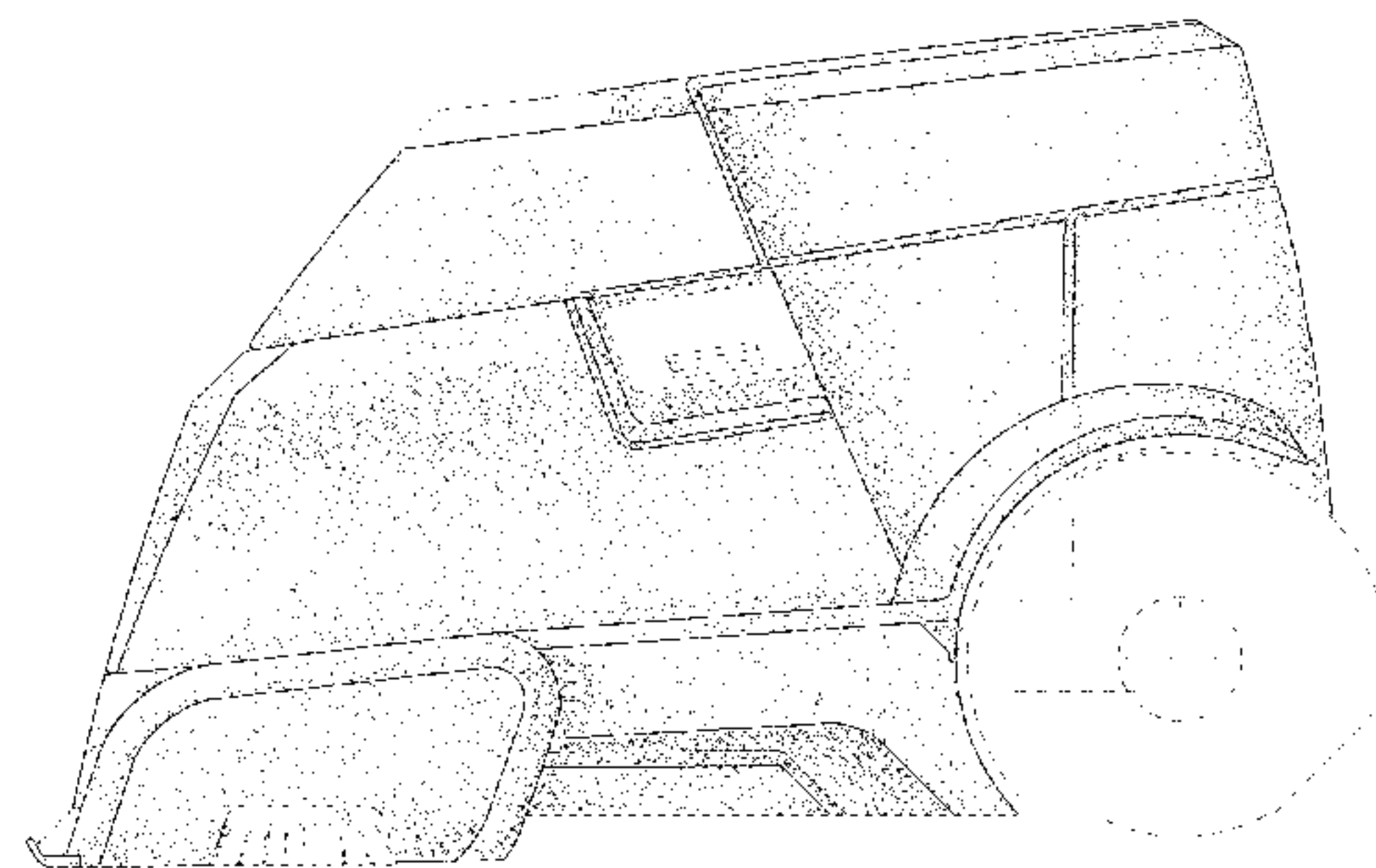
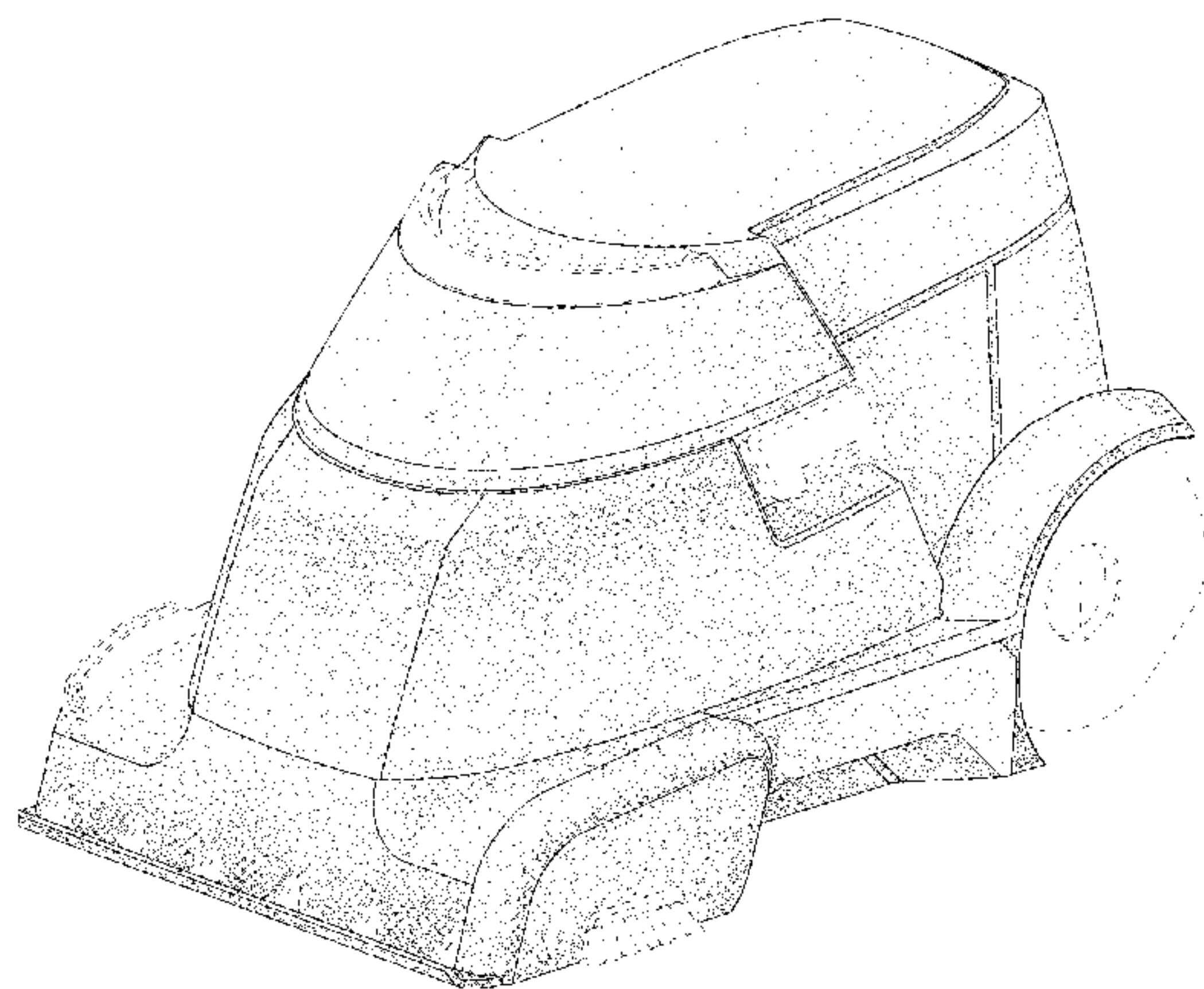
The ornamental design for a portion of floor cleaning machine, as shown and described.

DESCRIPTION

FIG. 1 is a perspective view of a portion of floor cleaning machine which embodies our design; FIG. 2 is a front view thereof; FIG. 3 is a rear view thereof; FIG. 4 is a left side view thereof; FIG. 5 is a right side view thereof; and, FIG. 6 is a top view.

Portions of the portion of floor cleaning machine shown in broken lines form no part of the claimed design.

1 Claim, 4 Drawing Sheets



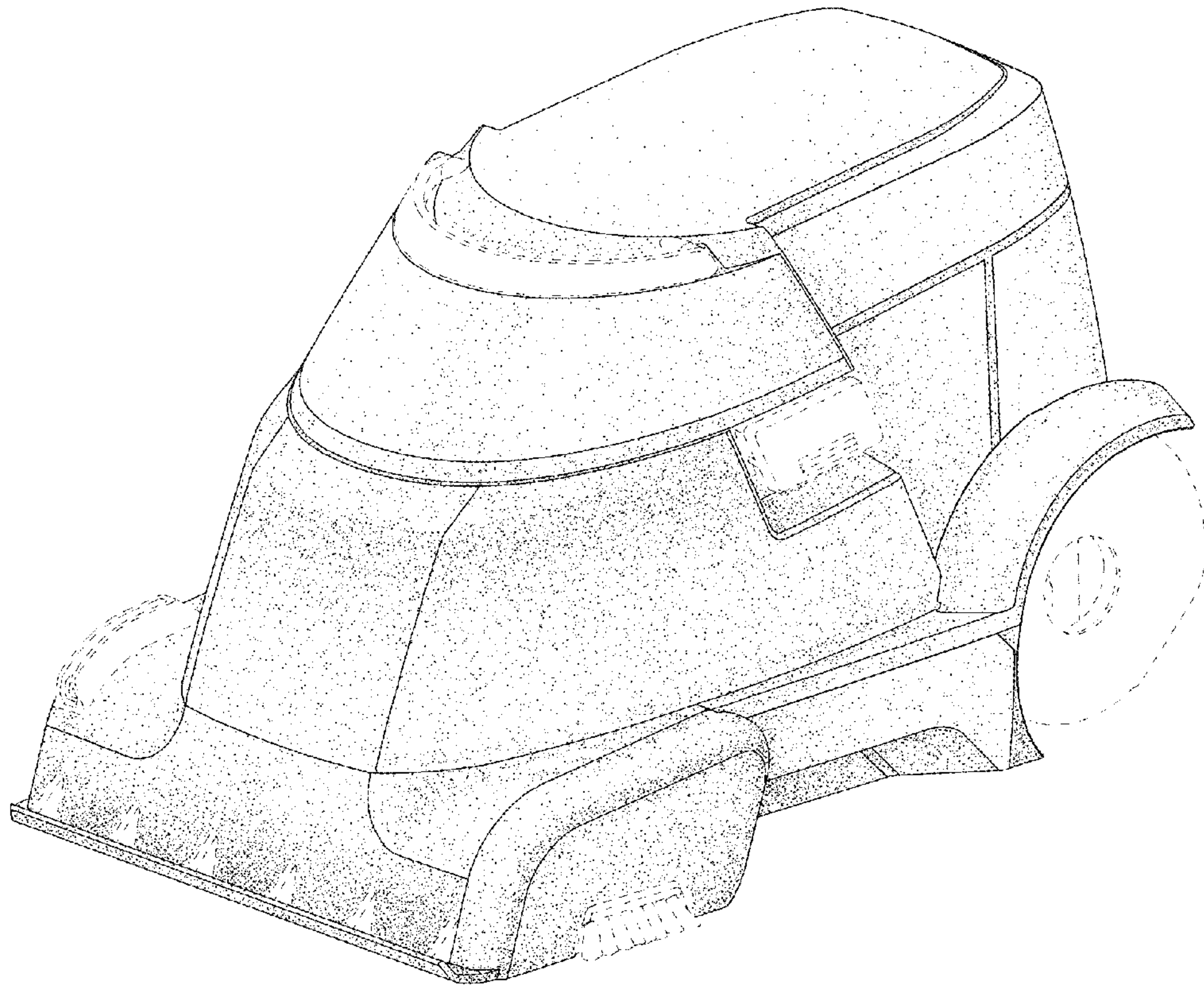


FIG. 1

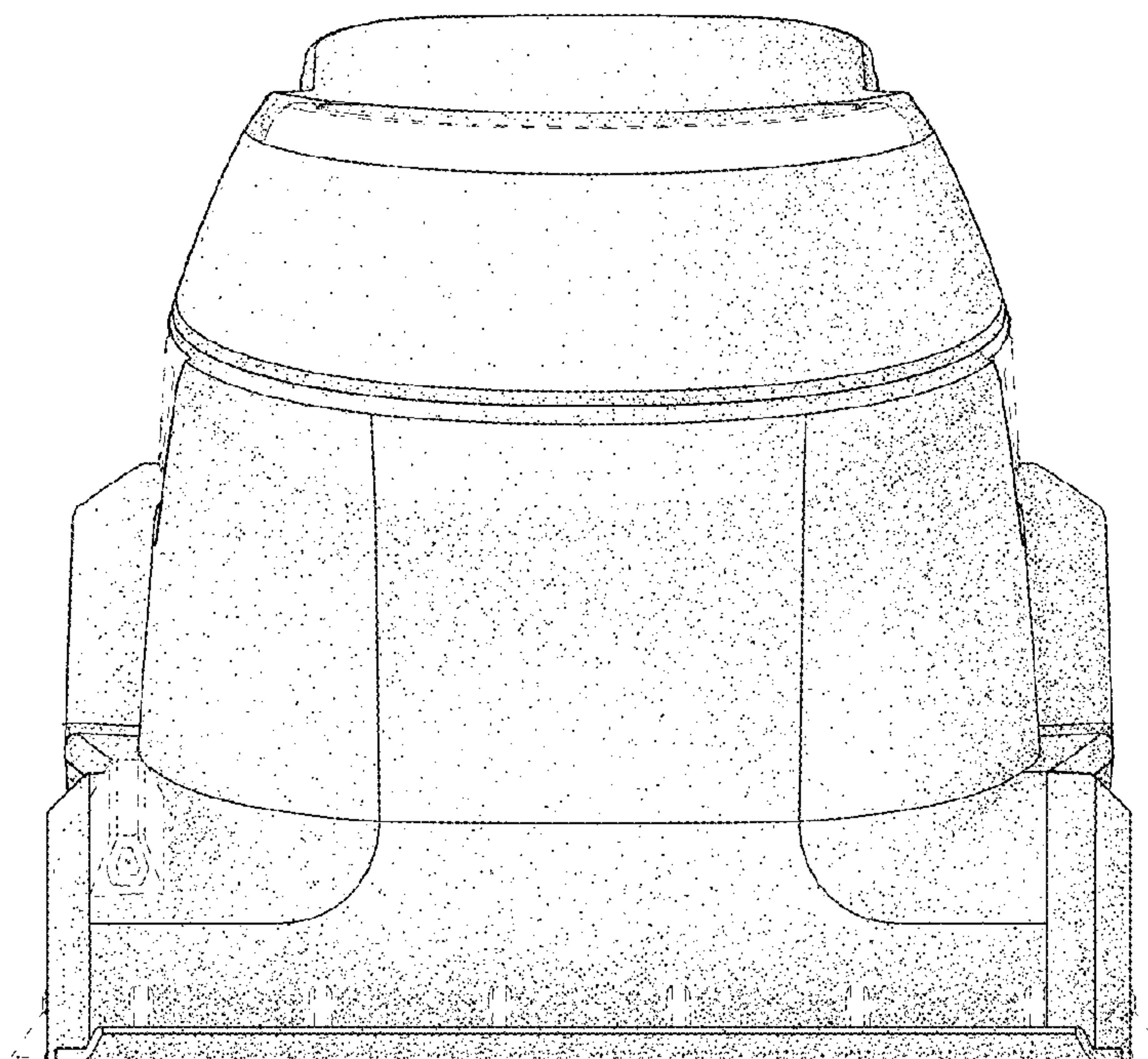


FIG. 2

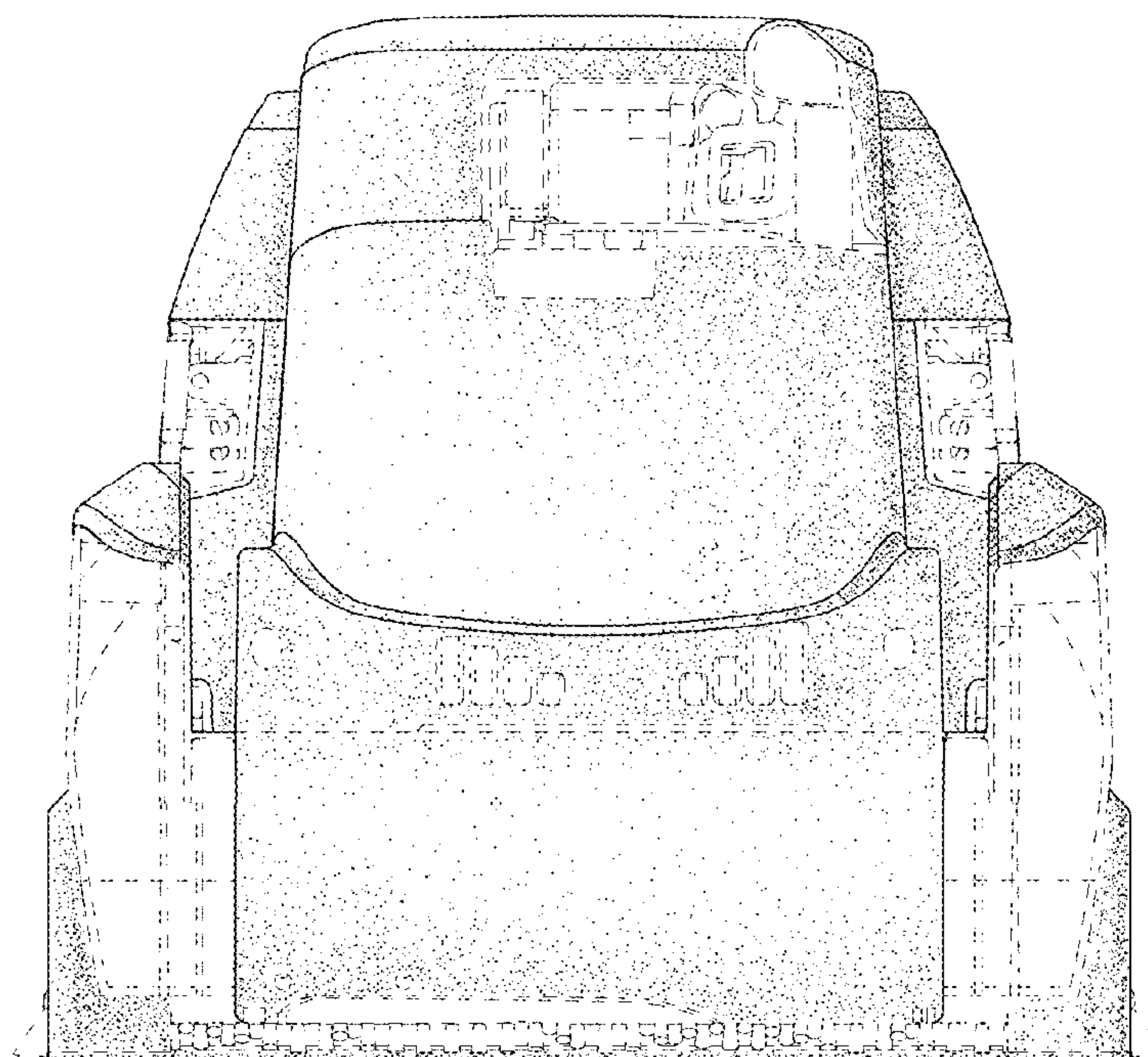


FIG. 3

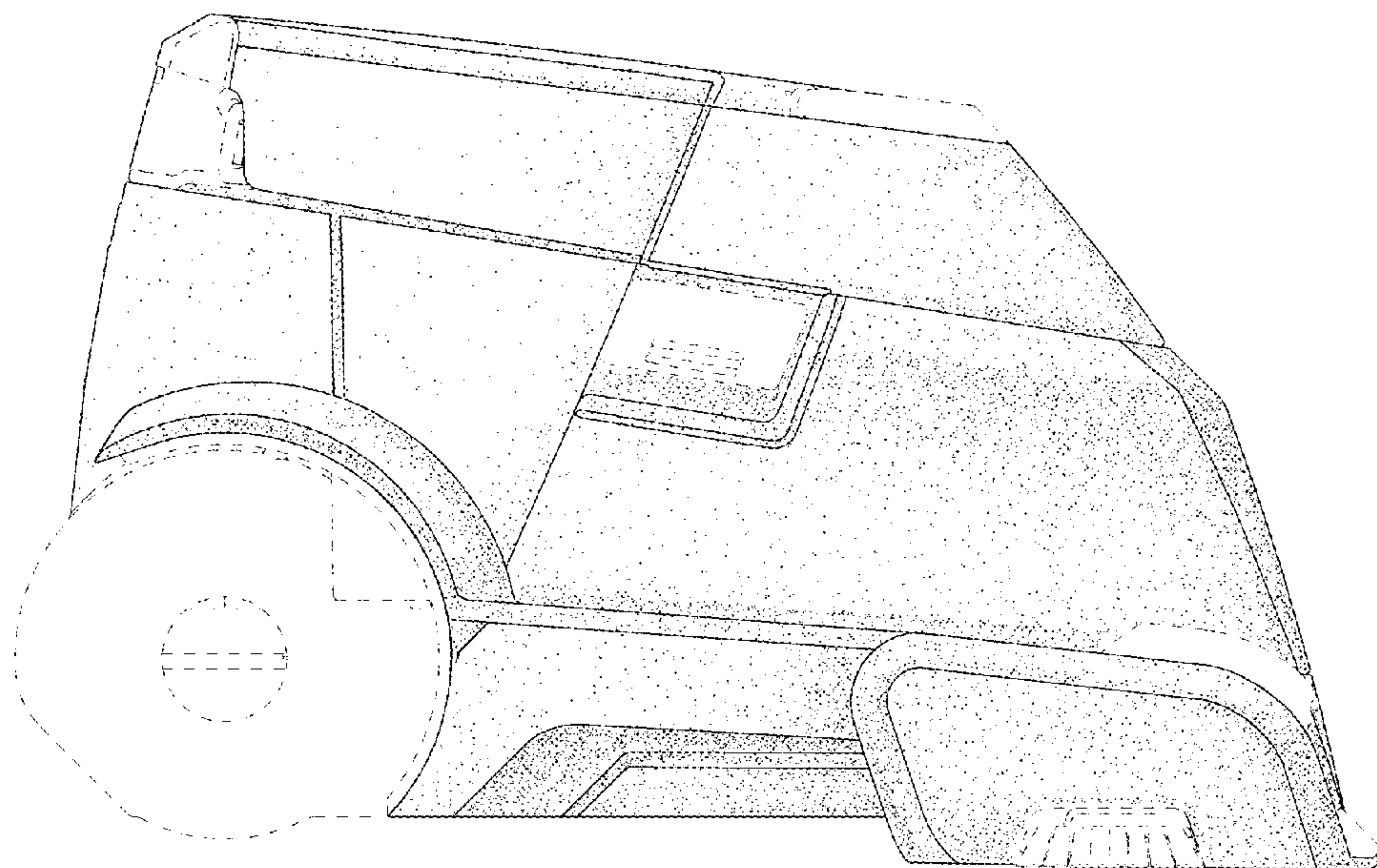


FIG. 4

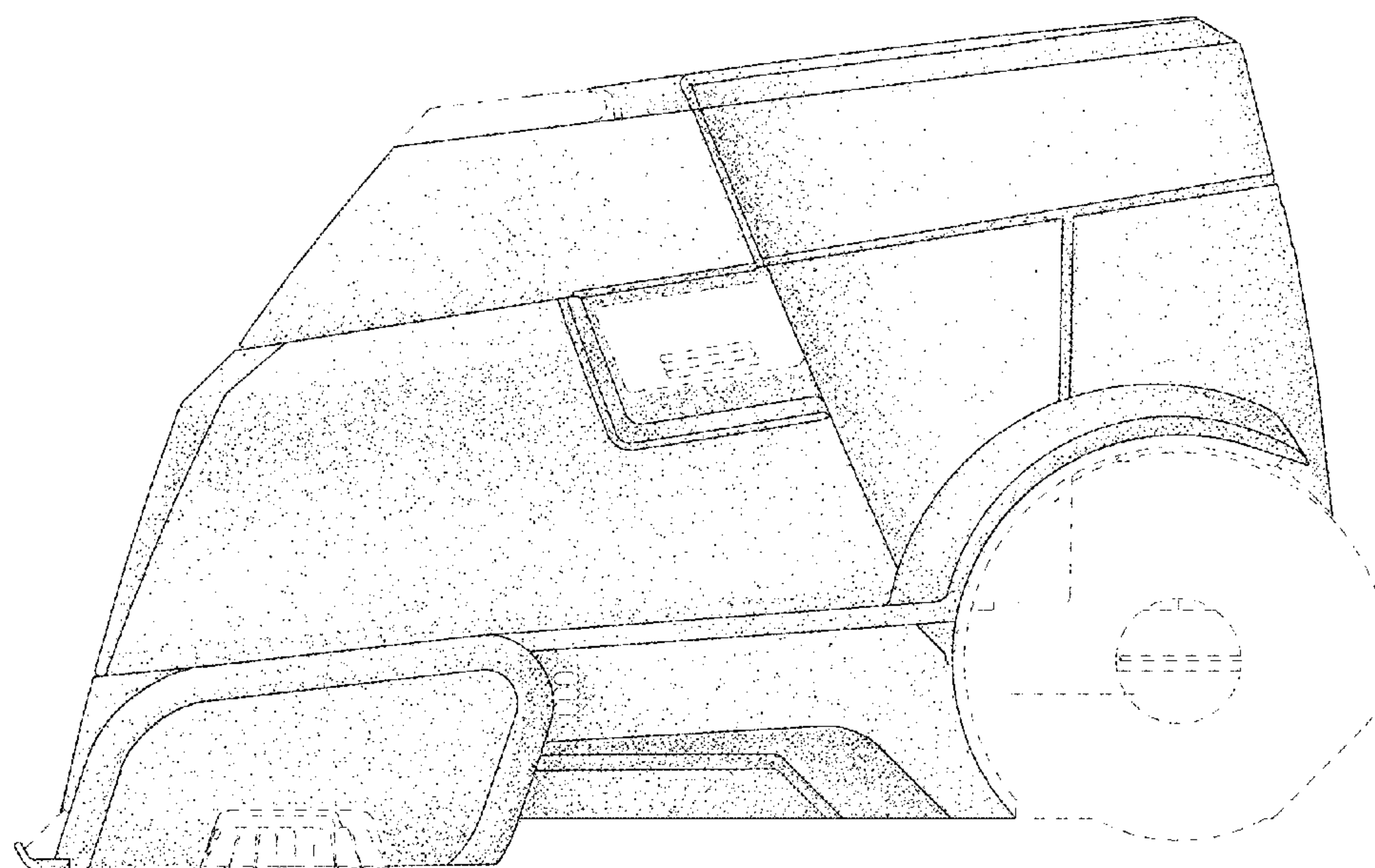


FIG. 5

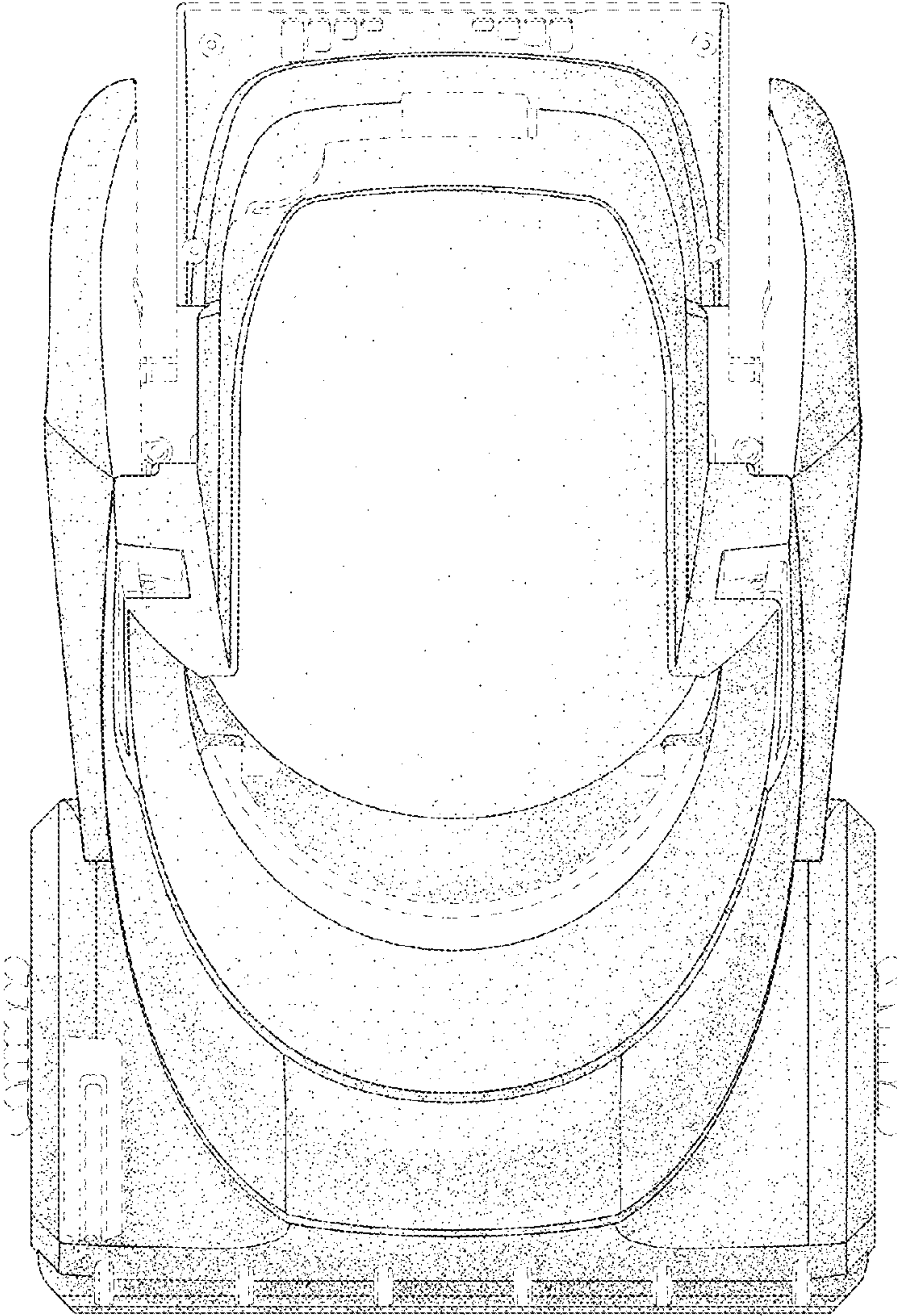


FIG. 6