



US00D689250S

(12) **United States Design Patent**
Zelaya

(10) **Patent No.:** **US D689,250 S**

(45) **Date of Patent:** **** Sep. 3, 2013**

- (54) **CLOTHES DRYER LINT FILTER**
- (71) Applicant: **Mackiavelo H. Zelaya**, Metairie, LA (US)
- (72) Inventor: **Mackiavelo H. Zelaya**, Metairie, LA (US)
- (**) Term: **14 Years**
- (21) Appl. No.: **29/445,223**
- (22) Filed: **Feb. 8, 2013**
- (51) **LOC (9) Cl.** **15-05**
- (52) **U.S. Cl.**
USPC **D32/25**
- (58) **Field of Classification Search**
USPC D32/1, 25, 30, 31; D23/364, 393;
34/82, 86, 140, 235; 55/319, 385.1, 482,
55/511
See application file for complete search history.

6,230,418	B1 *	5/2001	Gomulinski	34/140
6,745,491	B1 *	6/2004	Hernandez-Zelaya	34/140
6,997,966	B2 *	2/2006	Iantorno	55/385.1
D604,828	S *	11/2009	Krohmer et al.	D32/31
D658,831	S *	5/2012	Robinson et al.	D32/25
2005/0160708	A1 *	7/2005	Iantorno	55/482
2010/0031527	A1 *	2/2010	Robinson et al.	34/235
2010/0139113	A1	6/2010	Mackay		

* cited by examiner

Primary Examiner — T. Chase Nelson
Assistant Examiner — Kathleen M Sims
 (74) *Attorney, Agent, or Firm* — Montgomery Patent & Design; Robert C. Montgomery

(57) **CLAIM**
 The ornamental design for a clothes dryer lint filter, as shown and described.

DESCRIPTION

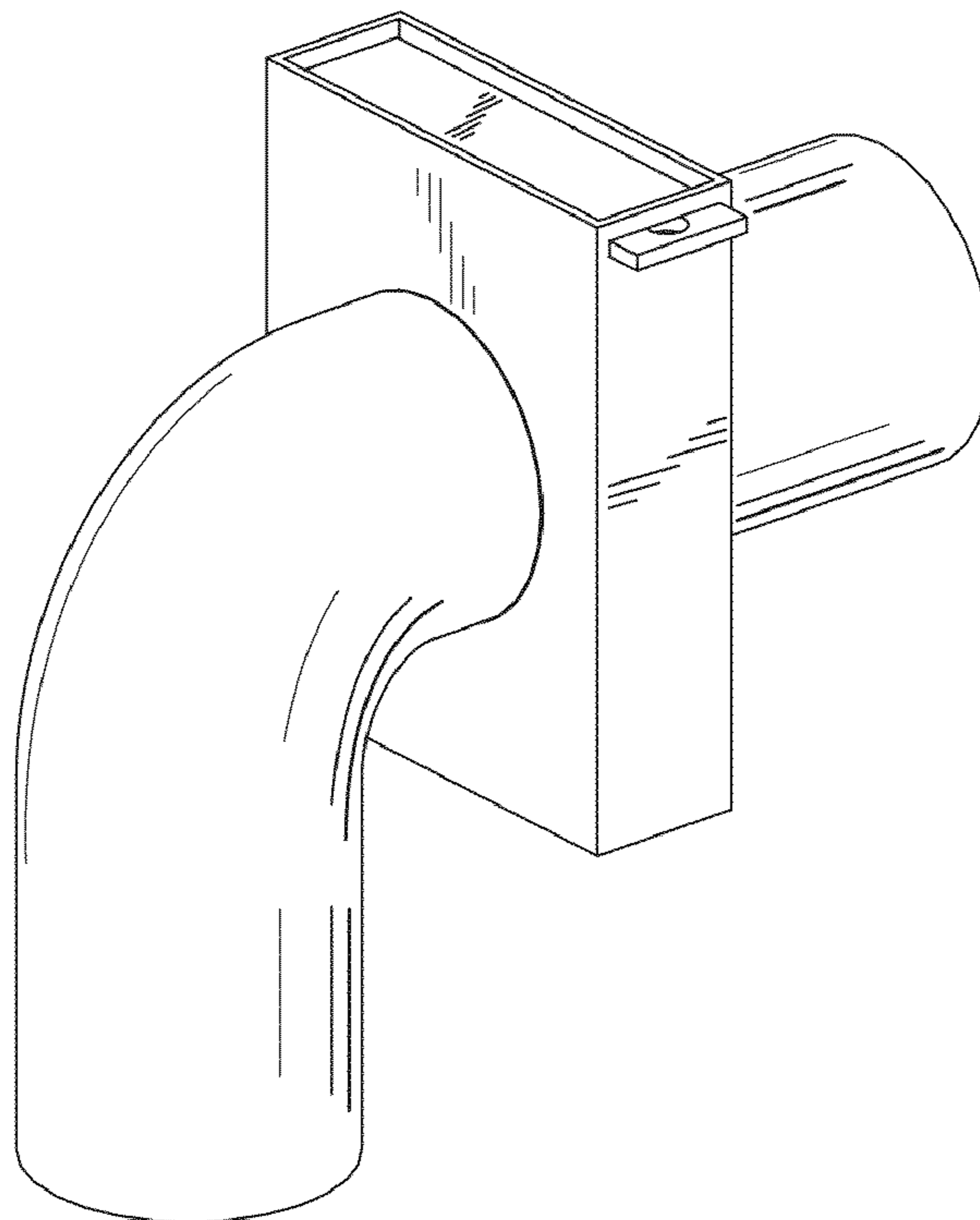
FIG. 1 is an exploded rear perspective in a first configuration view of a clothes dryer lint filter showing the in-line adapter portion, and the securing portion, showing my new design; FIG. 2 is an exploded front view in another configuration; FIG. 3 is an exploded rear view in another configuration; FIG. 4 is an exploded side view in a another configuration; FIG. 5 is an opposite side view thereof; FIG. 6 is an exploded top plan view in another configuration; FIG. 7 is a bottom plan view thereof; and, FIG. 8 is a rear perspective view of the clothes dryer lint filter with the separate pieces in place.

1 Claim, 8 Drawing Sheets

(56) **References Cited**

U.S. PATENT DOCUMENTS

D208,353	S *	8/1967	Hocutt et al.	D32/30
3,487,624	A	1/1970	Tignanelli		
3,999,304	A *	12/1976	Doty	34/82
D258,609	S *	3/1981	Vogt	D23/364
4,338,731	A *	7/1982	Shames et al.	34/82
D277,131	S *	1/1985	Shames et al.	D23/393
5,210,960	A	5/1993	LaRue		
5,236,478	A	8/1993	Lewis et al.		
5,463,820	A	11/1995	LaRue		
5,675,908	A *	10/1997	Barnes	34/235



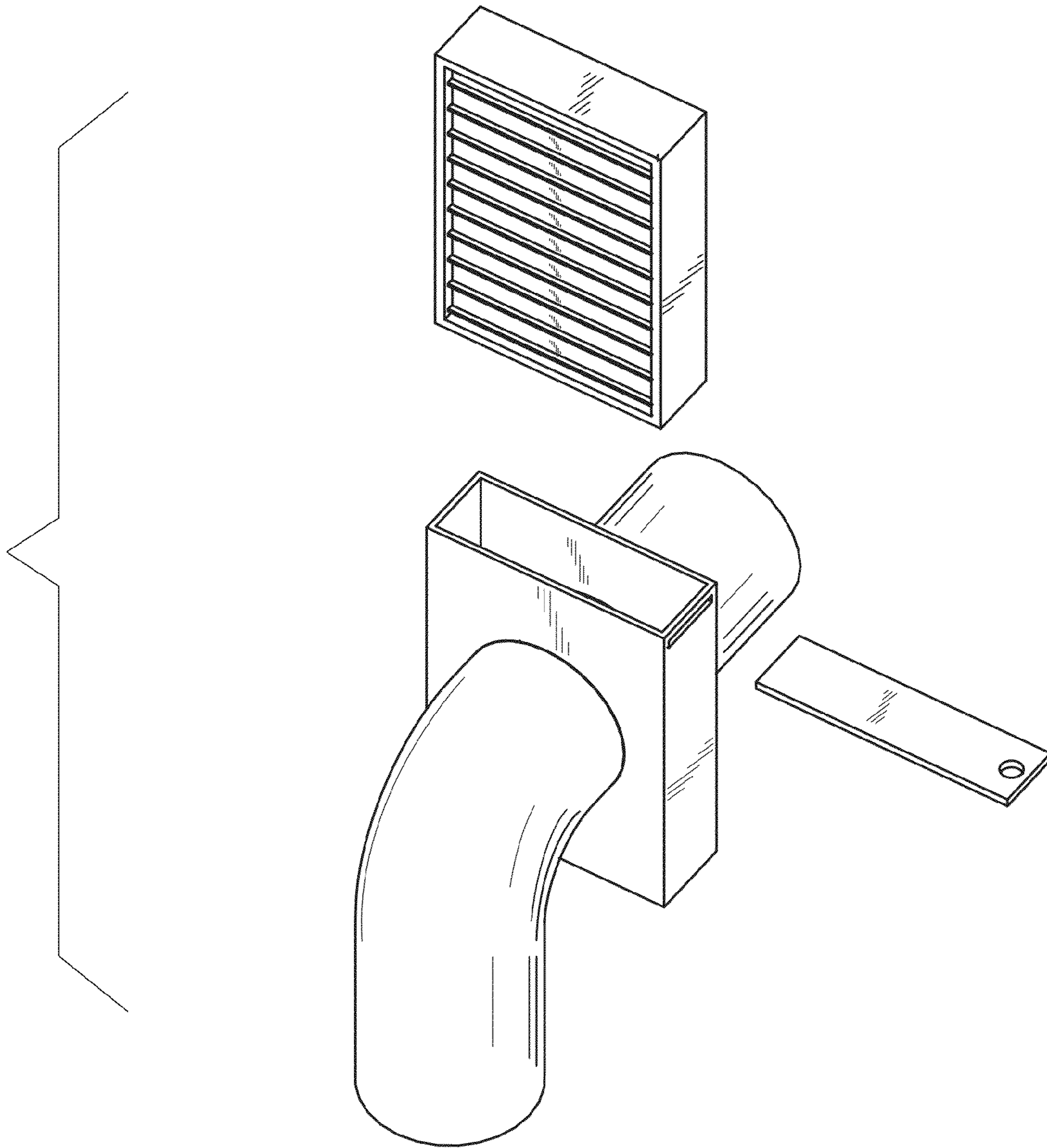


Fig. 1

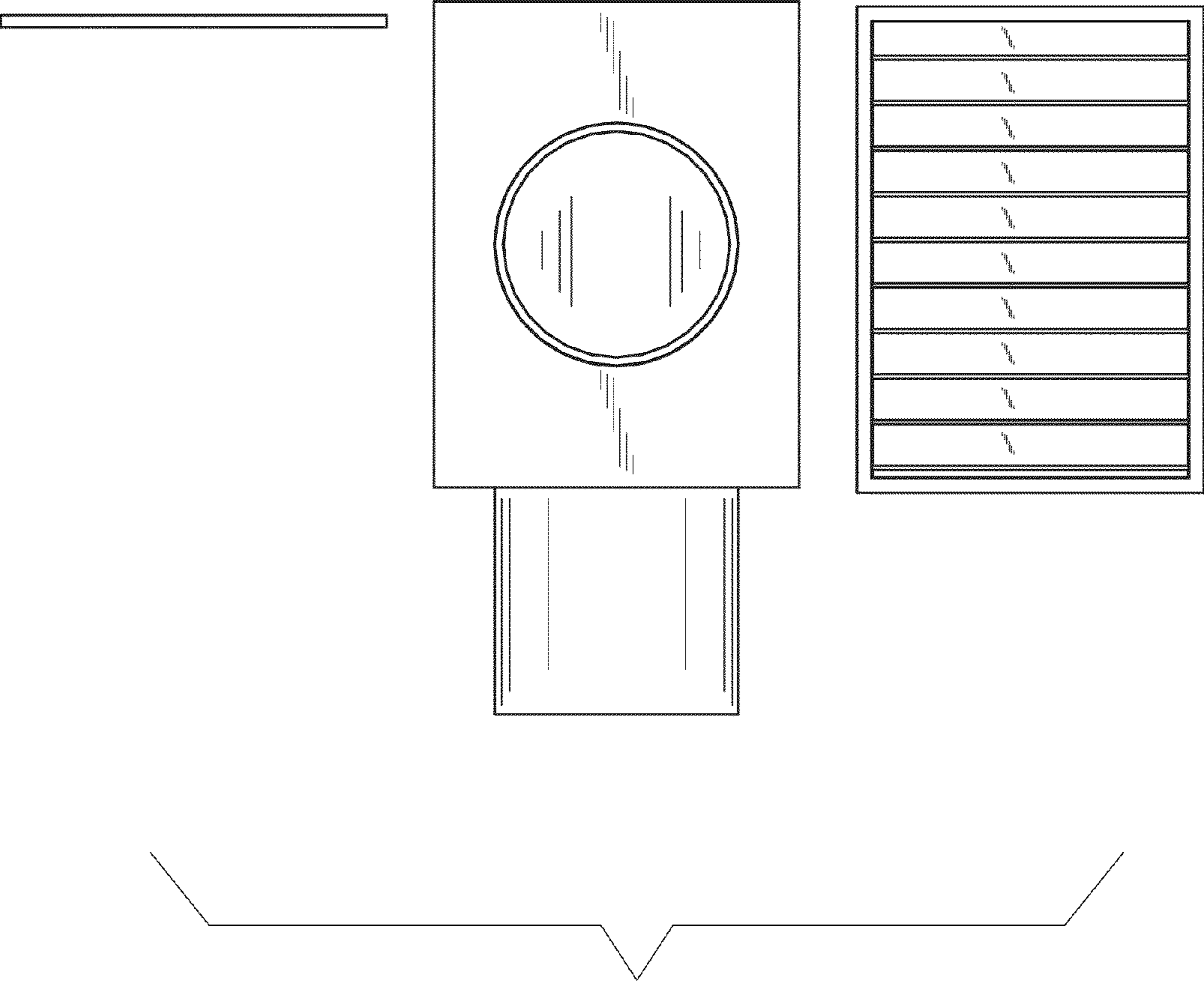


Fig. 2

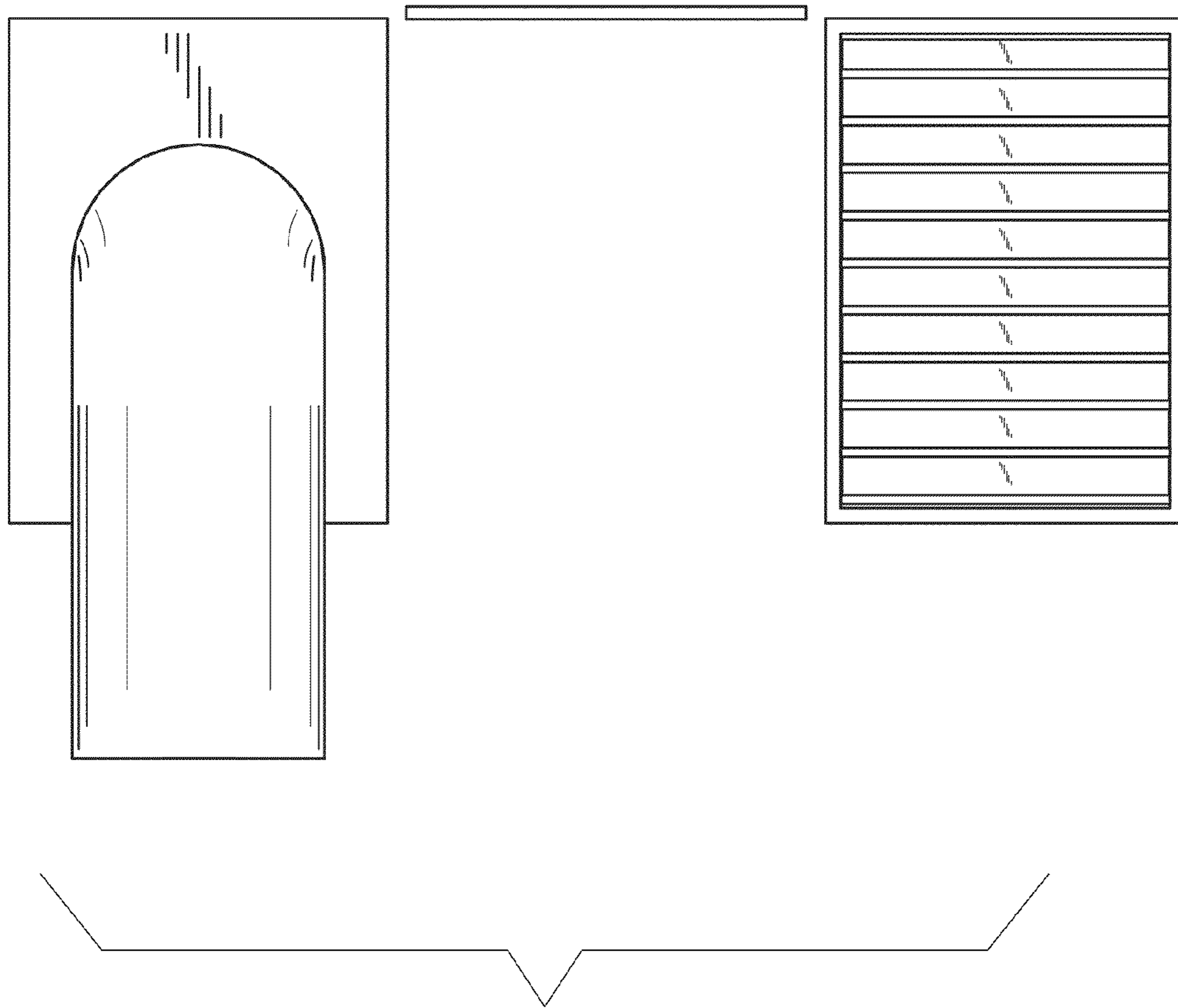


Fig. 3

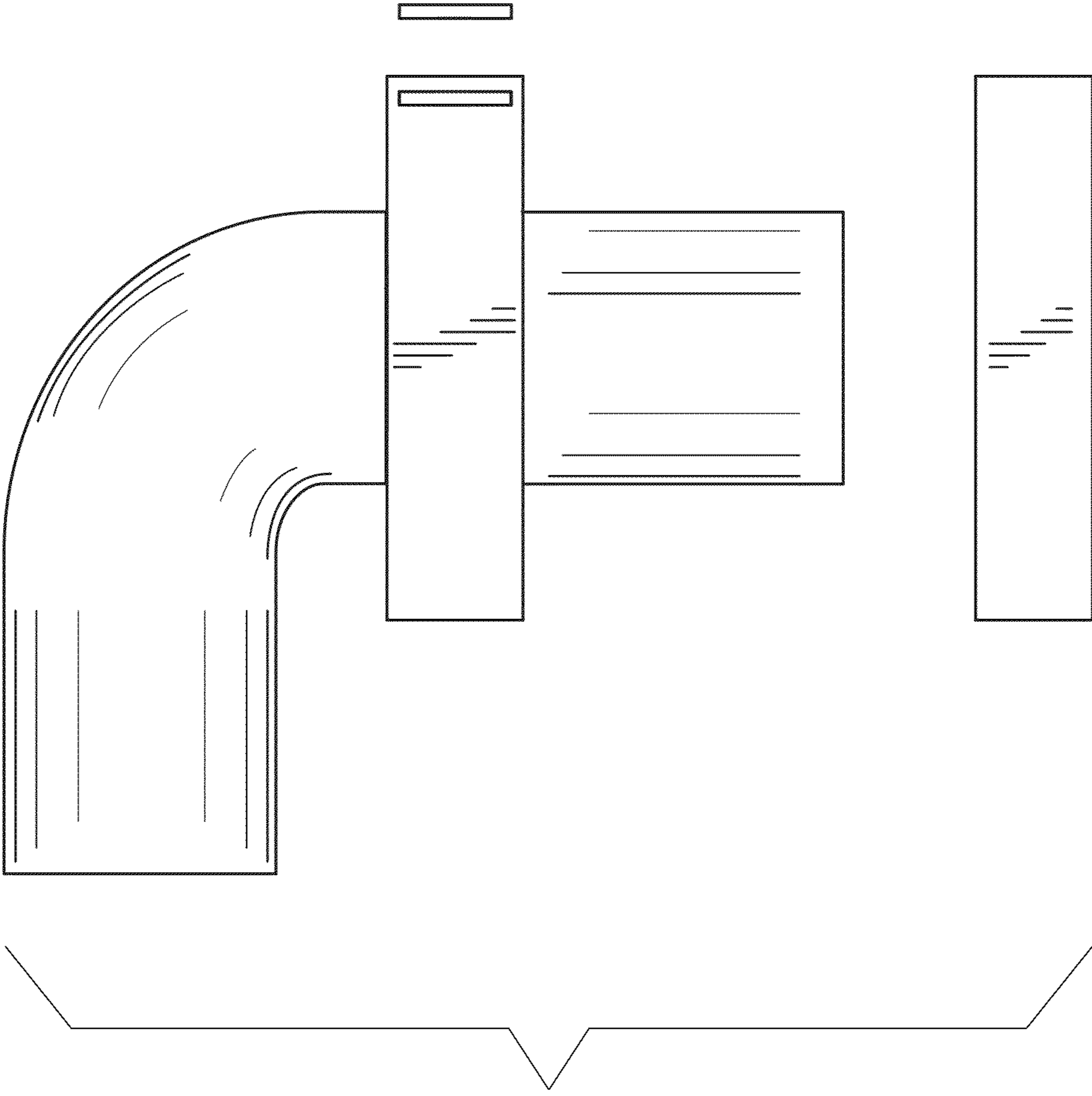


Fig. 4

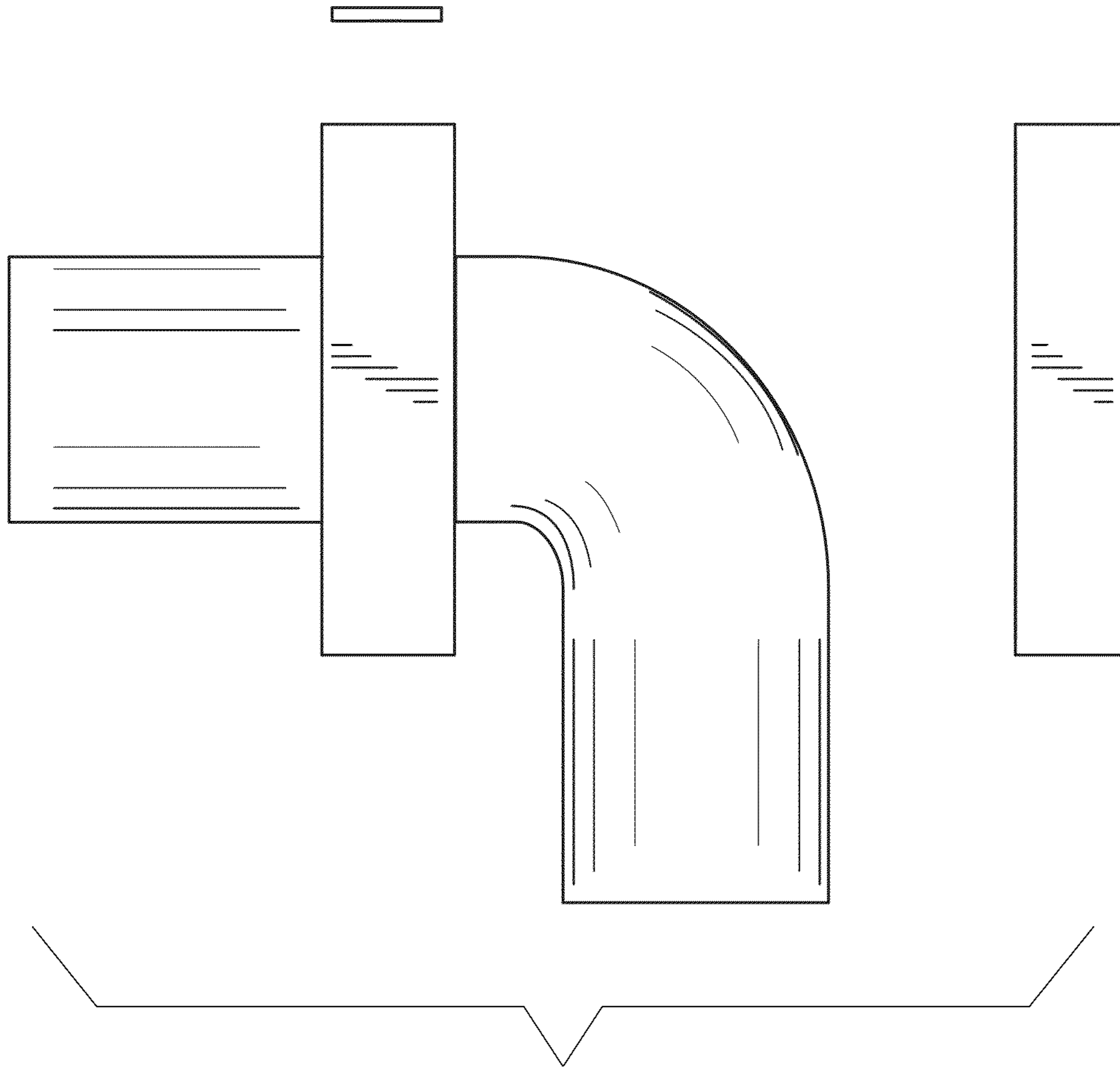


Fig. 5

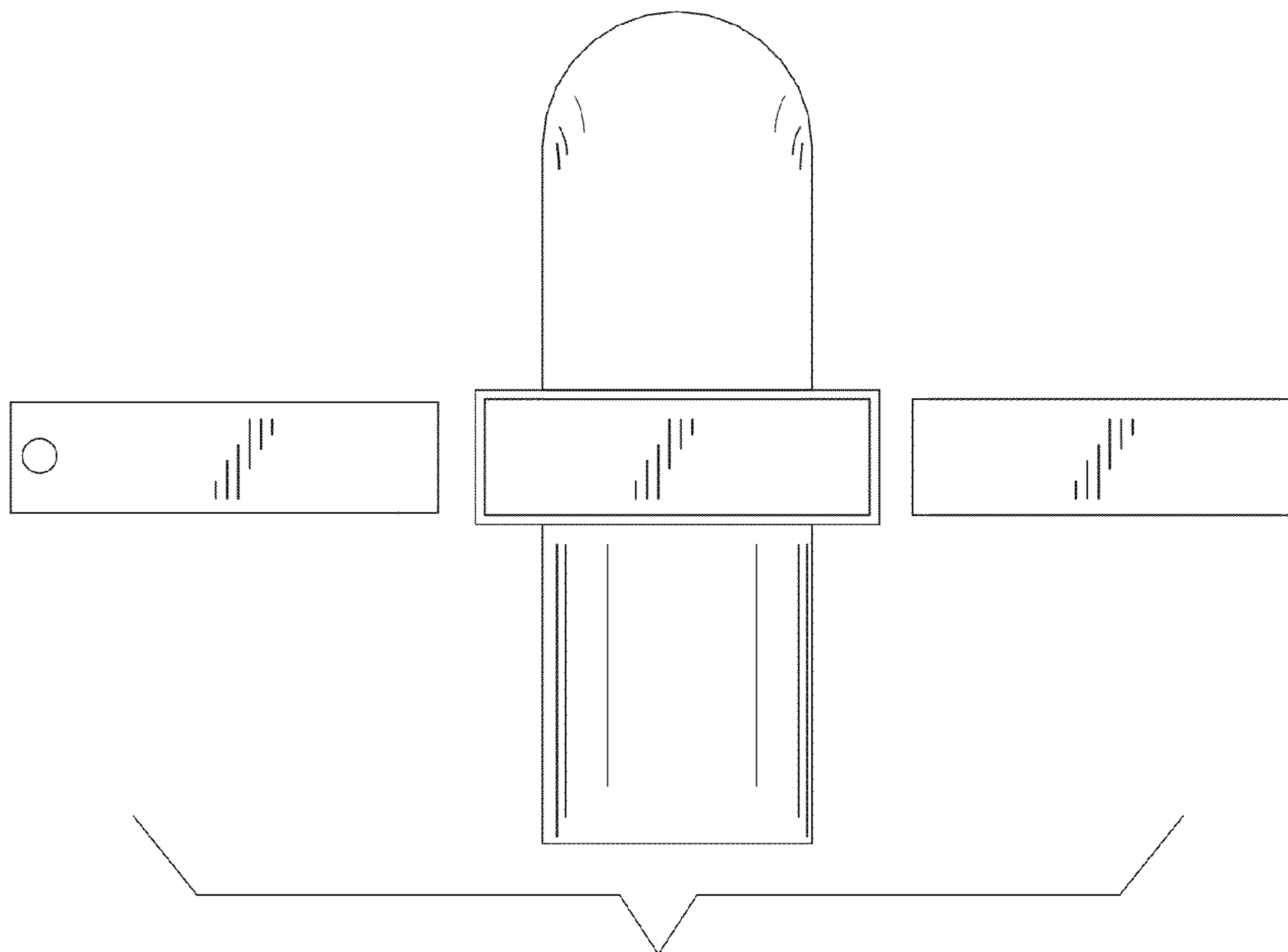


Fig. 6

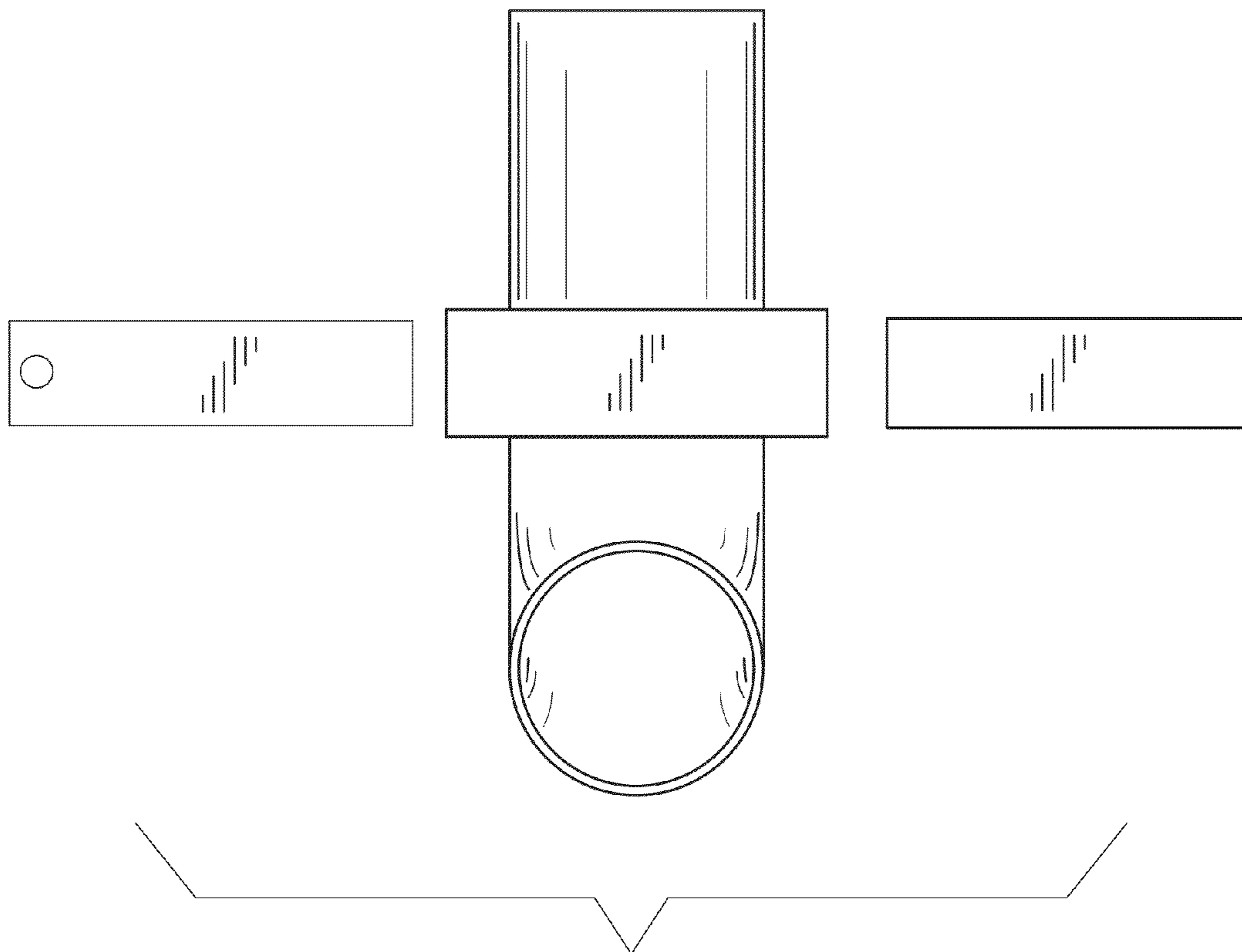


Fig. 7

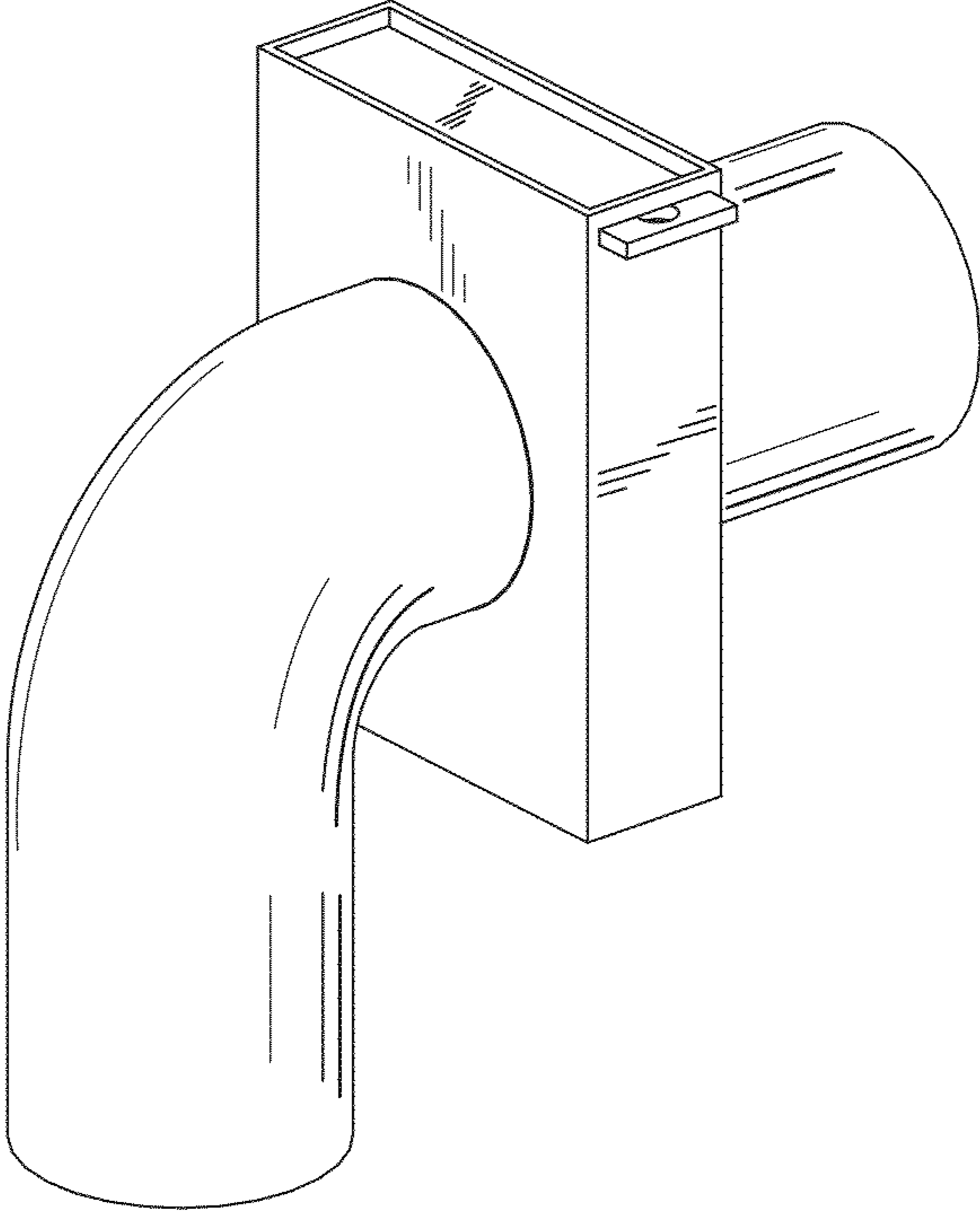


Fig. 8