



US00D689248S

(12) **United States Design Patent**
Eng

(10) **Patent No.:** **US D689,248 S**

(45) **Date of Patent:** **** *Sep. 3, 2013**

(54) **DISHWASHER**

(75) Inventor: **Lindsay Eng**, Long Beach, CA (US)

(73) Assignee: **BSH Home Appliances Corporation**,
Irvine, CA (US)

(*) Notice: This patent is subject to a terminal disclaimer.

(**) Term: **14 Years**

(21) Appl. No.: **29/428,560**

(22) Filed: **Aug. 1, 2012**

Related U.S. Application Data

(62) Division of application No. 29/418,058, filed on Apr. 12, 2012, now Pat. No. Des. 670,457.

(51) **LOC (9) Cl.** **15-05**

(52) **U.S. Cl.**
USPC **D32/3**

(58) **Field of Classification Search**
USPC D32/1, 2, 3, 25, 28; 312/31, 109,
312/228; 134/56 D, 57 D, 58 D, 58 DL,
134/201; D7/340, 348, 349, 350, 405
See application file for complete search history.

(56) **References Cited**

U.S. PATENT DOCUMENTS

D385,070 S * 10/1997 Hughes et al. D32/3
D424,257 S * 5/2000 Umeda et al. D32/2
6,893,061 B2 * 5/2005 Miller et al. 292/303
D539,992 S * 4/2007 Yamamoto et al. D32/2

(Continued)

OTHER PUBLICATIONS

U.S. Appl. No. 29/405,771, filed Nov. 7, 2011.

(Continued)

Primary Examiner — T. Chase Nelson

Assistant Examiner — Kathleen M Sims

(74) *Attorney, Agent, or Firm* — James E. Howard; Andre Pallapies

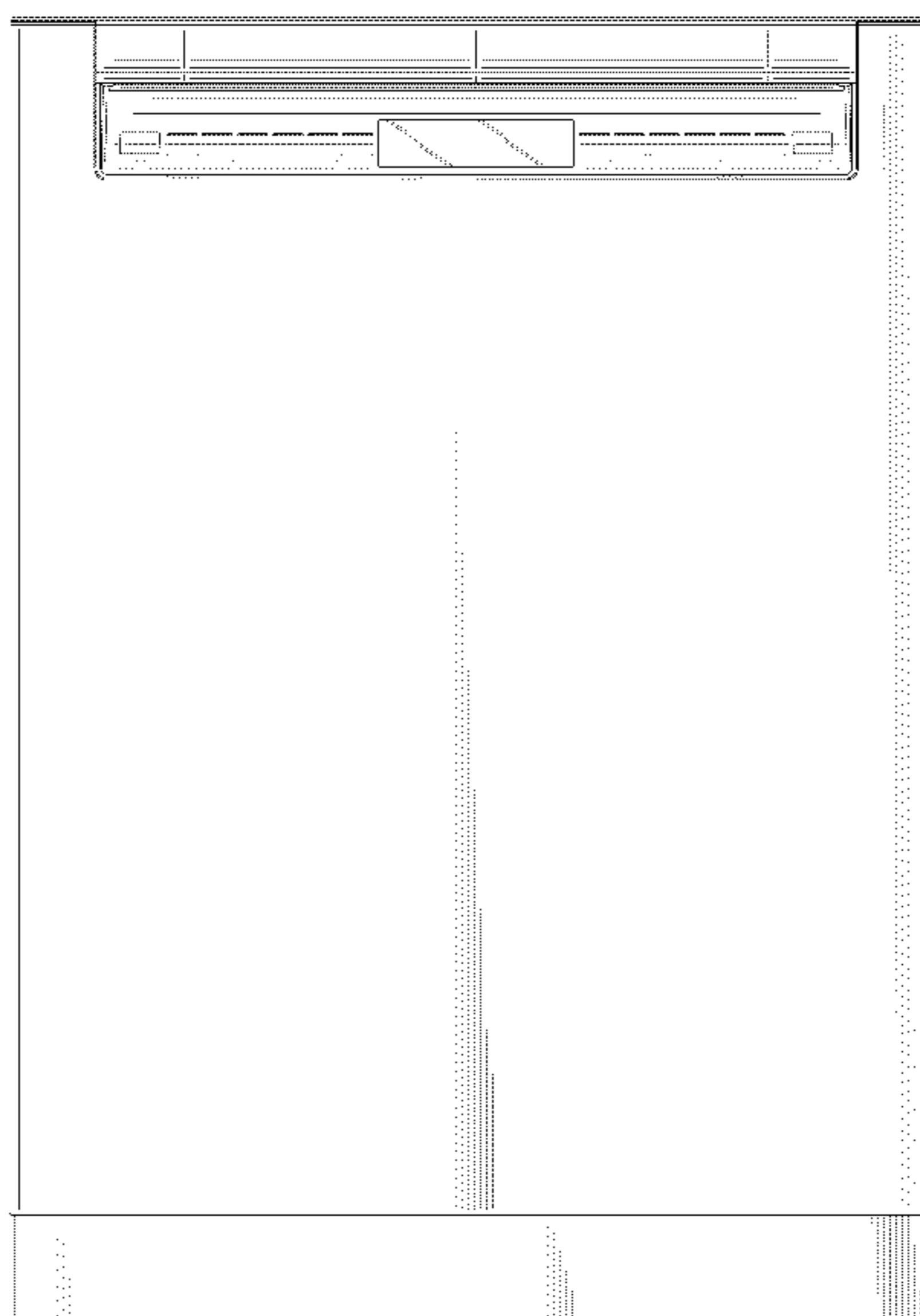
(57) **CLAIM**

The ornamental design for a dishwasher, as shown and described.

DESCRIPTION

FIG. 1 is a front view of a dishwasher according to a first embodiment showing my new ornamental design; FIG. 2 is a left side view thereof, with the right side view thereof being a minor image thereof; FIG. 3 is a top perspective view of the door in isolation; FIG. 4 is a bottom perspective view of the door in isolation; FIG. 5 is a front view of a dishwasher according to a second embodiment showing my new ornamental design; FIG. 6 is a left side view thereof, with the right side view thereof being a minor image thereof; FIG. 7 is a top perspective view of the door in isolation; FIG. 8 is a bottom perspective view of the door in isolation; FIG. 9 is a front view of a dishwasher according to a third embodiment showing my new ornamental design; FIG. 10 is a left side view thereof, with the right side view thereof being a minor image thereof; FIG. 11 is a top perspective view of the door in isolation; and, FIG. 12 is a bottom perspective view of the door in isolation. The broken lines of the dishwasher, dishwasher compartment and/or components thereof show surrounding structure or environment and do not form part of the claimed design. The bottom and rear parts of the dishwasher door, and the bottom, rear and top of the dishwasher compartment are unornamented and form no part of the claimed design.

1 Claim, 12 Drawing Sheets



(56)

References Cited

U.S. PATENT DOCUMENTS

7,216,944 B2 *	5/2007	Oyler et al.	312/311
D544,657 S *	6/2007	Jung et al.	D32/2
D554,305 S	10/2007	Pietruska	
D559,477 S	1/2008	Pietruska	
D577,869 S *	9/2008	Tartan et al.	D32/2
D580,603 S	11/2008	Busalt et al.	
D613,467 S *	4/2010	Park et al.	D32/6
D617,510 S	6/2010	Kaczmarek	
D618,403 S	6/2010	Kaczmarek	
D618,404 S	6/2010	Jenkins et al.	
D618,405 S	6/2010	Ott	
D618,406 S	6/2010	Ott	
D620,648 S	7/2010	Grobleben et al.	
D627,937 S *	11/2010	Kim	D32/2
D629,574 S	12/2010	Kaczmarek	
D629,979 S	12/2010	Kaczmarek	
D630,804 S	1/2011	Ott	
D630,805 S	1/2011	Ott	

D630,806 S	1/2011	Kaczmarek	
D633,664 S	3/2011	Jenkins et al.	
D635,311 S	3/2011	Ott	
D635,312 S	3/2011	Kaczmarek	
D640,429 S	6/2011	Grobleben et al.	
D641,939 S	7/2011	Ott	
D642,751 S	8/2011	Jenkins et al.	
D645,620 S	9/2011	Ott	
D645,621 S	9/2011	Jenkins et al.	
D647,916 S	11/2011	Kaczmarek	
D648,740 S	11/2011	Kaczmarek	
D649,559 S	11/2011	Kaczmarek	
D653,821 S	2/2012	Grobleben et al.	
2003/0030288 A1 *	2/2003	Miller et al.	292/303

OTHER PUBLICATIONS

U.S. Appl. No. 29/403,660, filed Oct. 10, 2011.
 U.S. Appl. No. 29/403,659, filed Oct. 10, 2011.

* cited by examiner

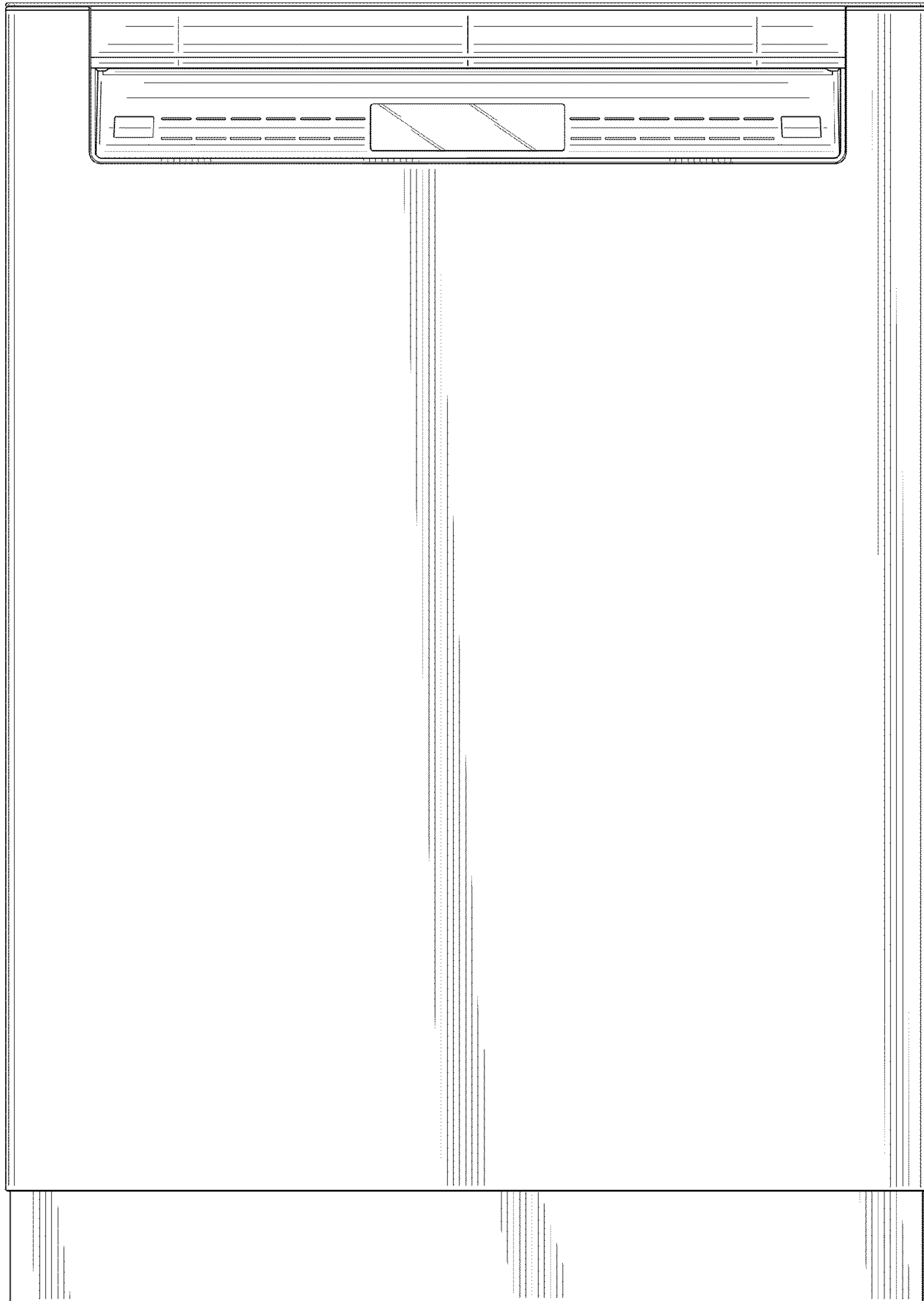


Fig. 1

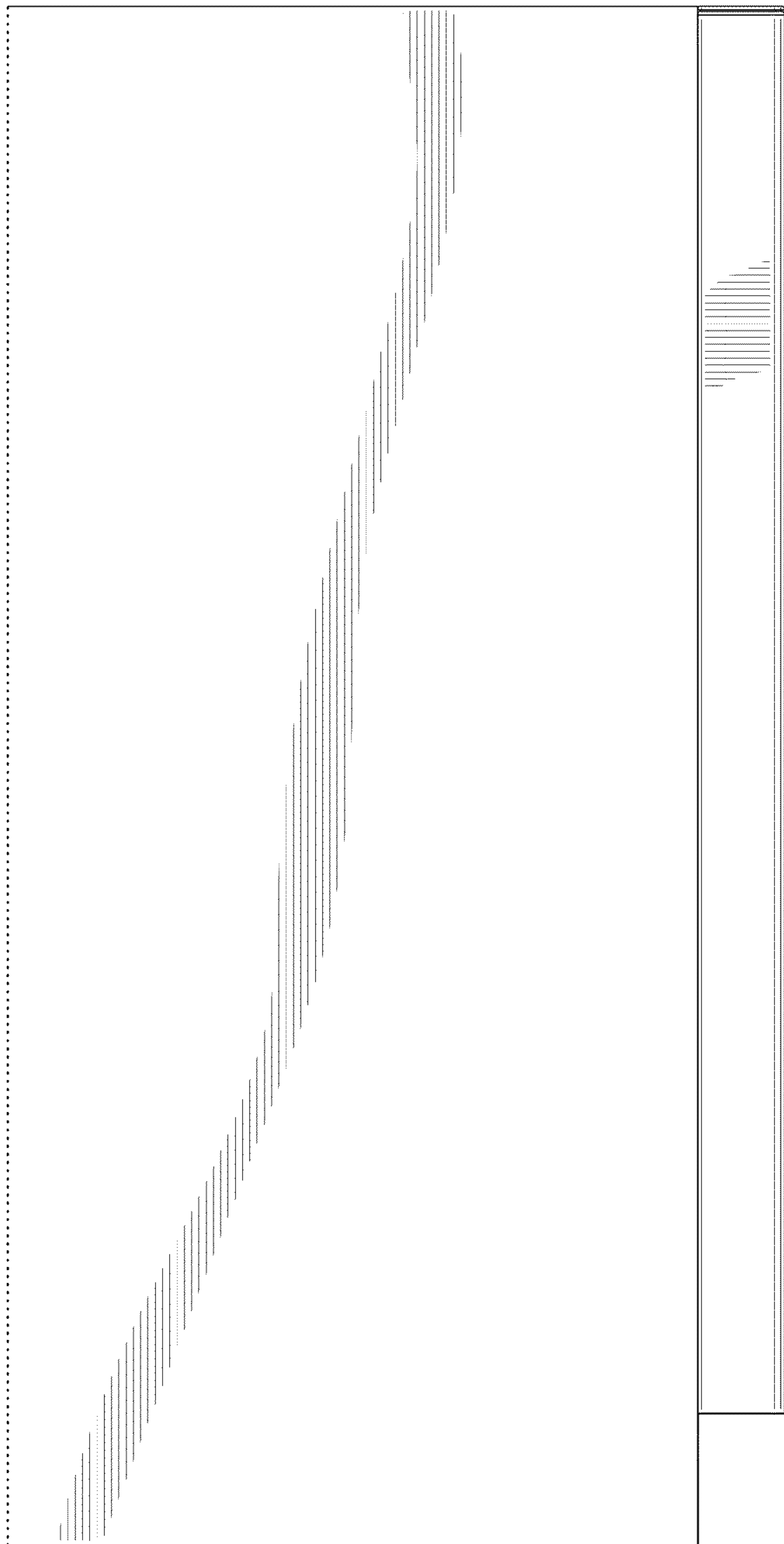


Fig. 2

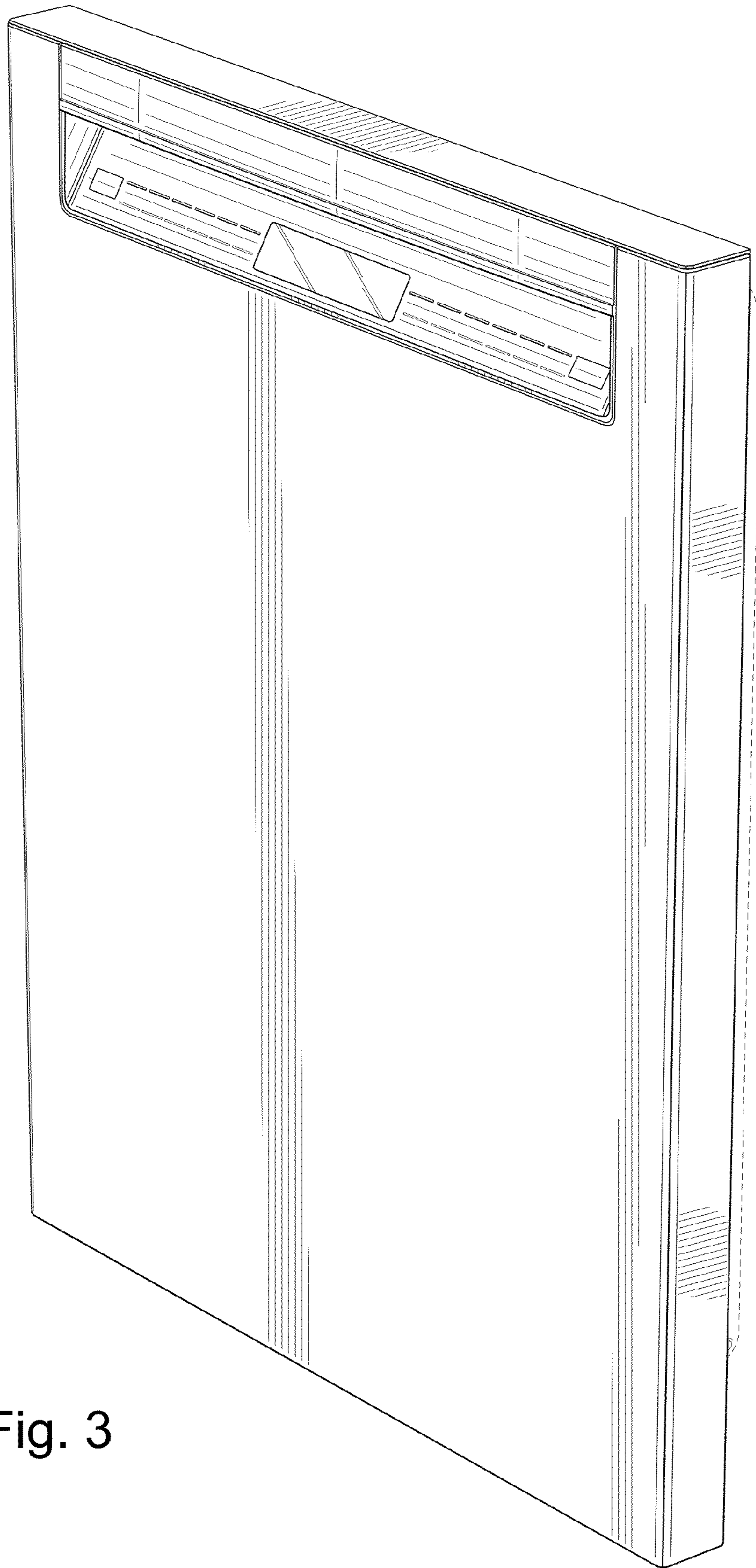


Fig. 3

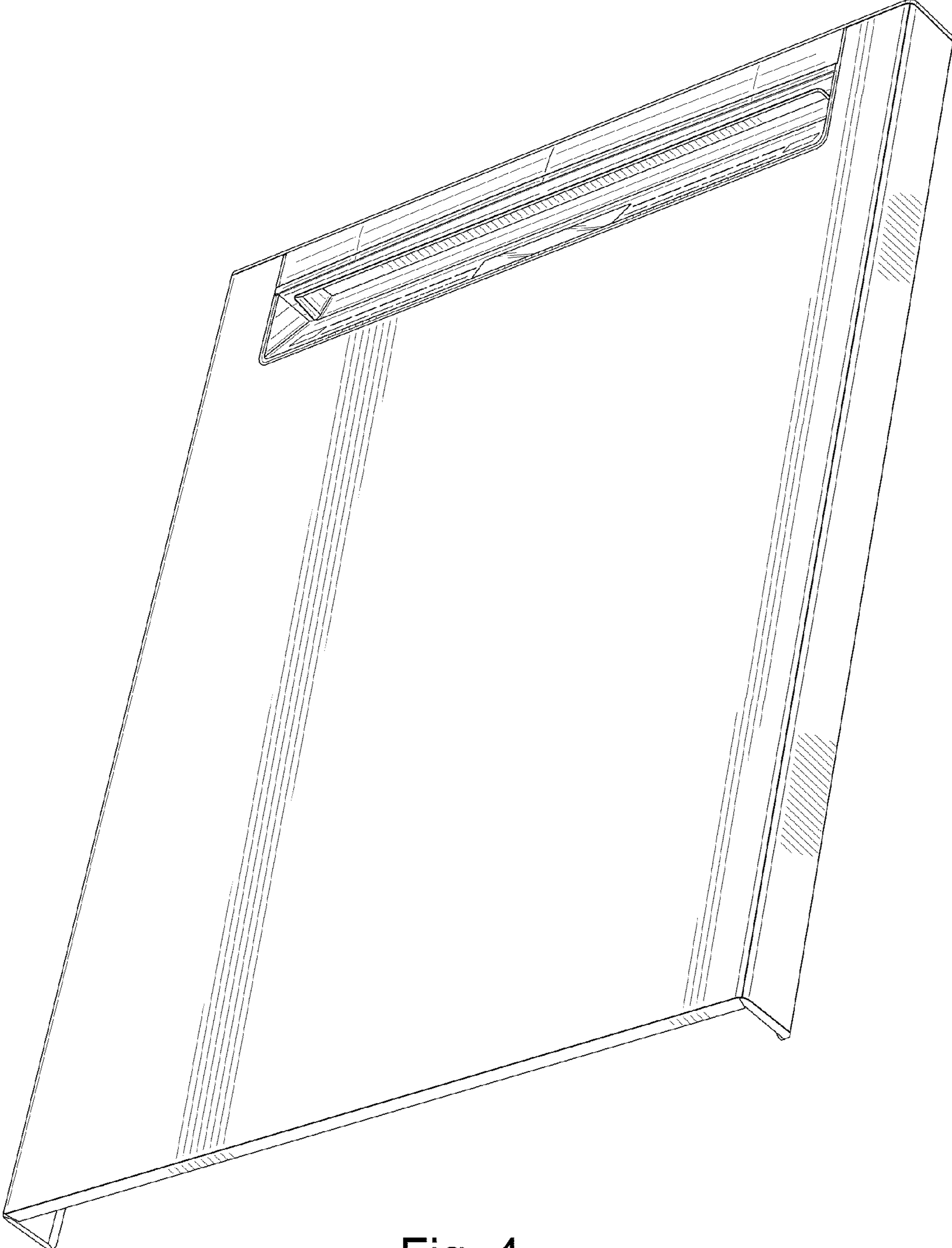


Fig. 4

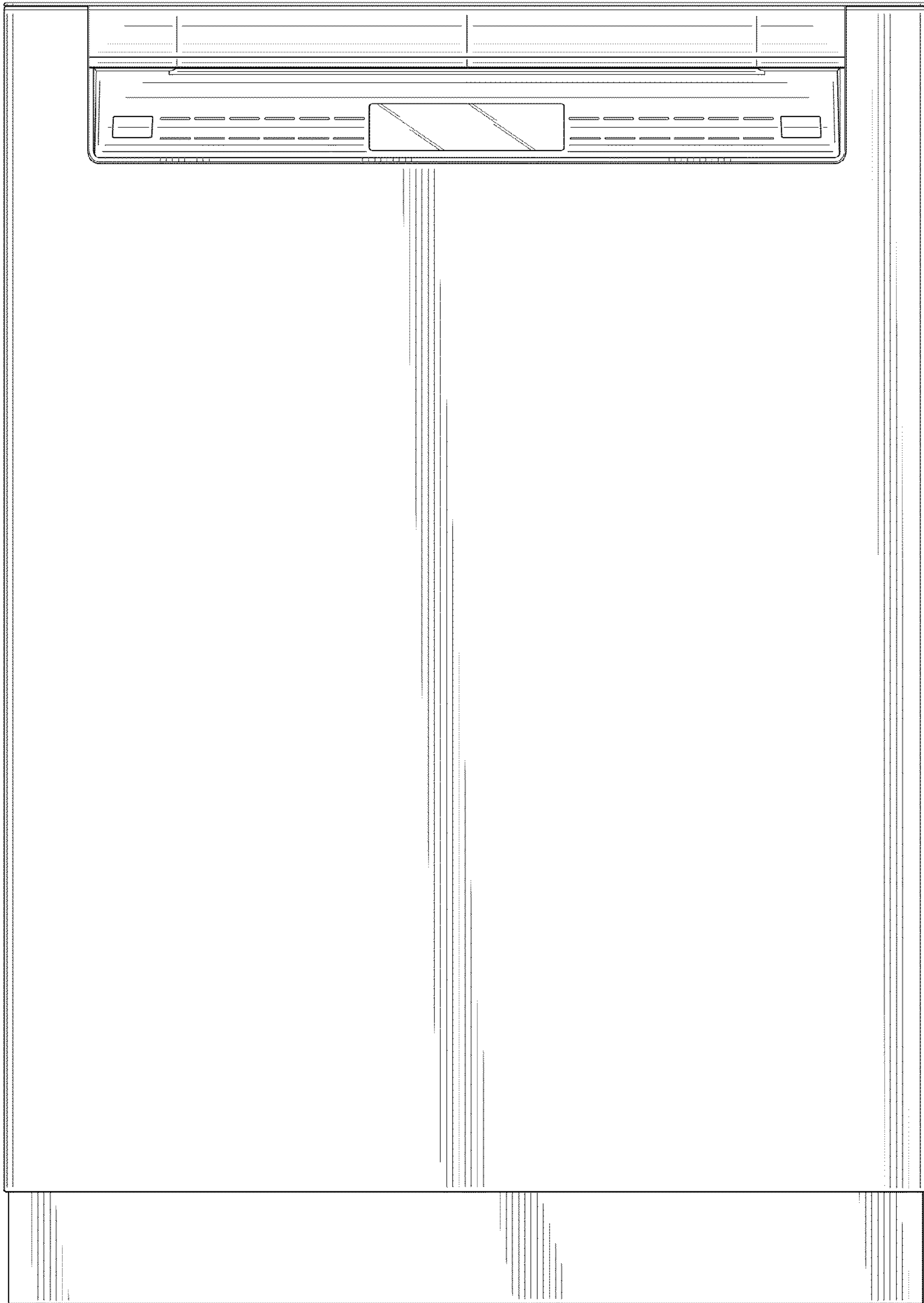


Fig. 5

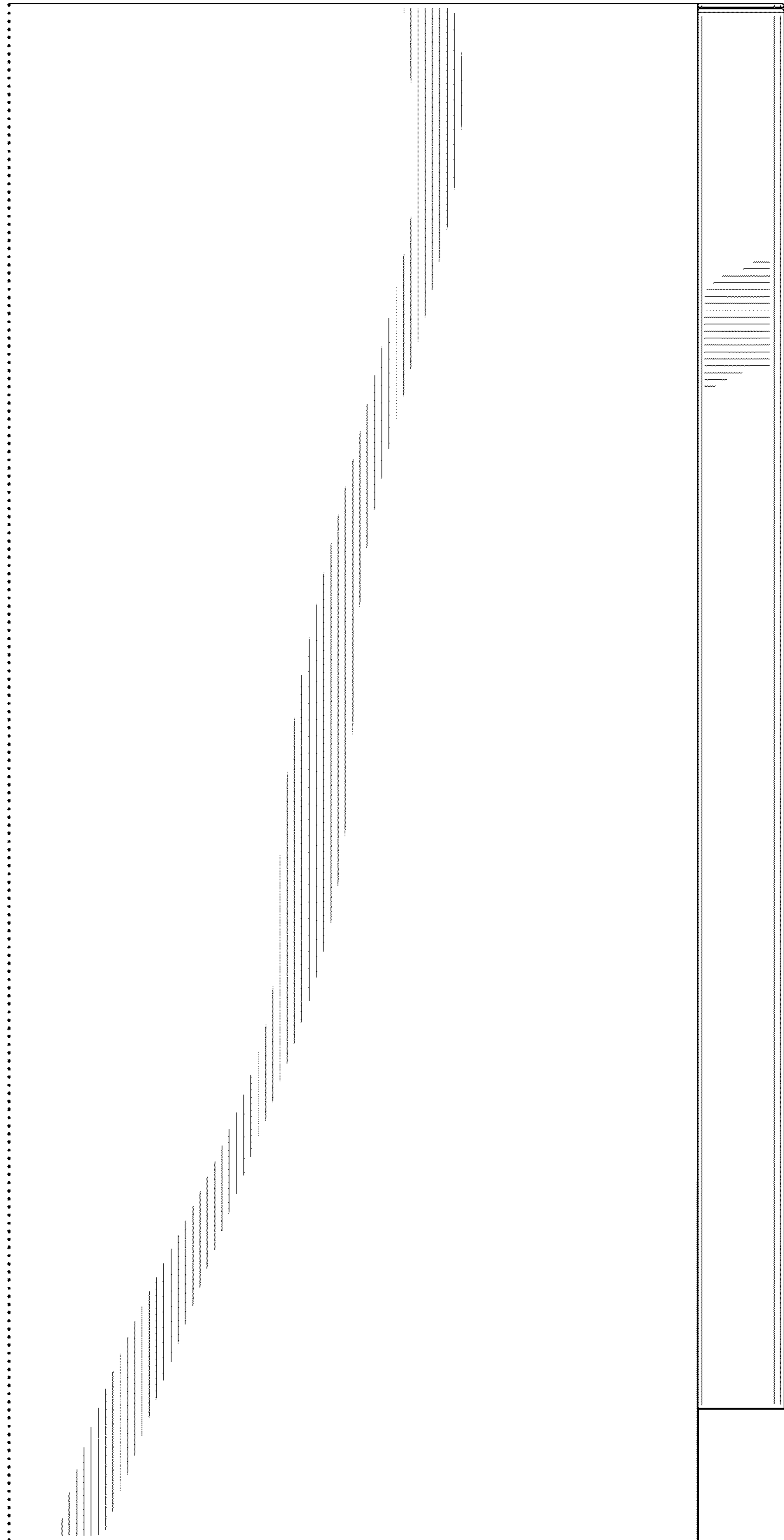


Fig. 6

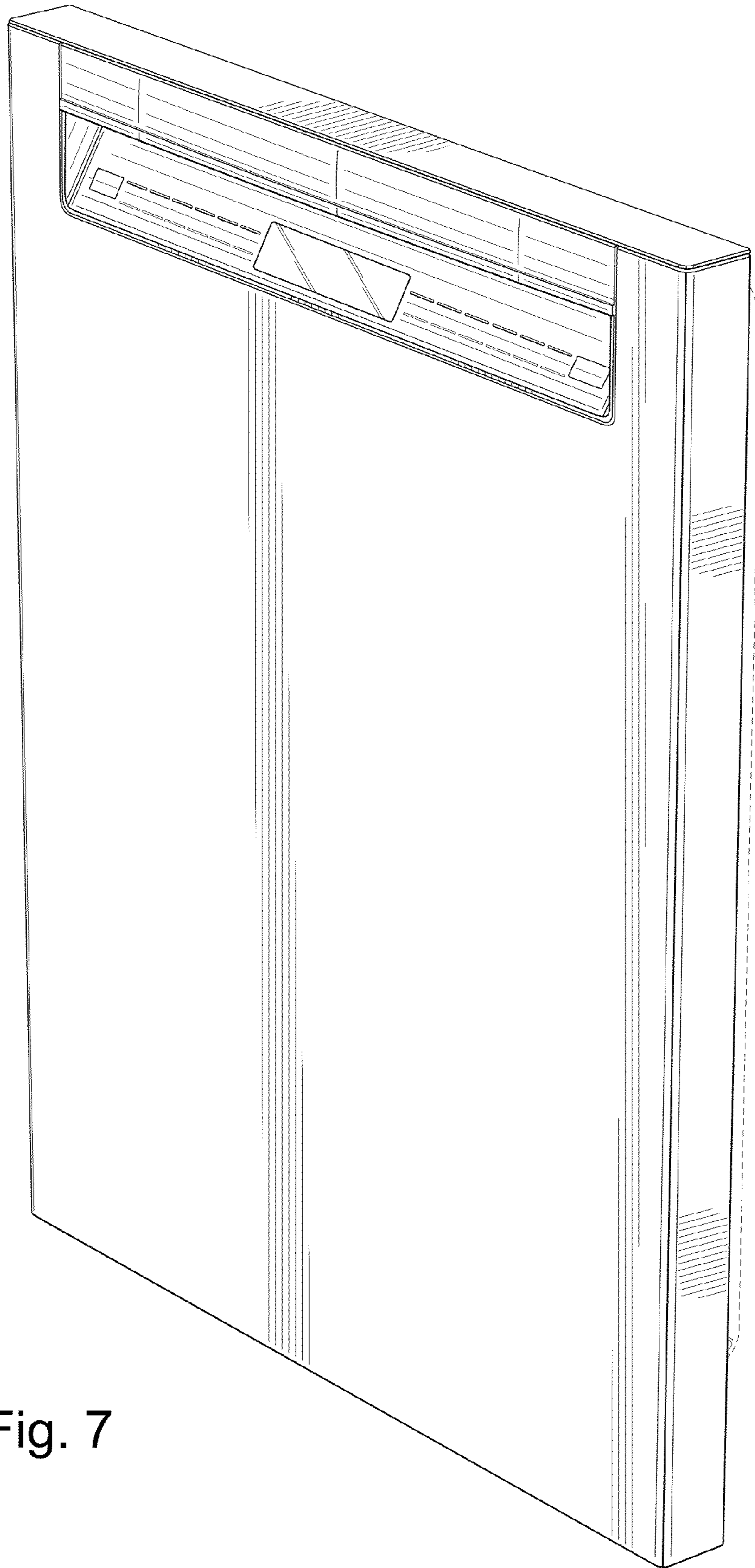


Fig. 7

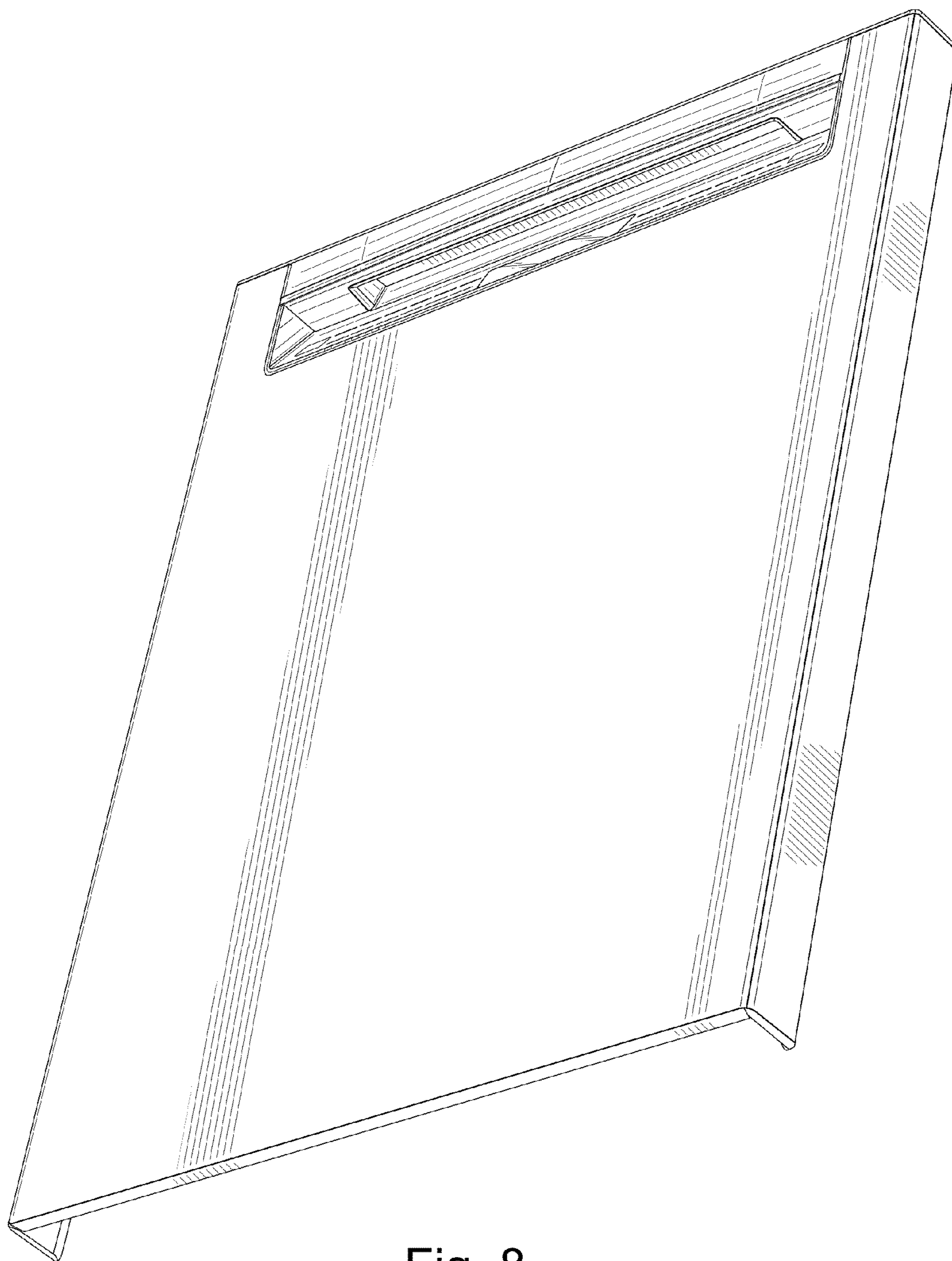


Fig. 8

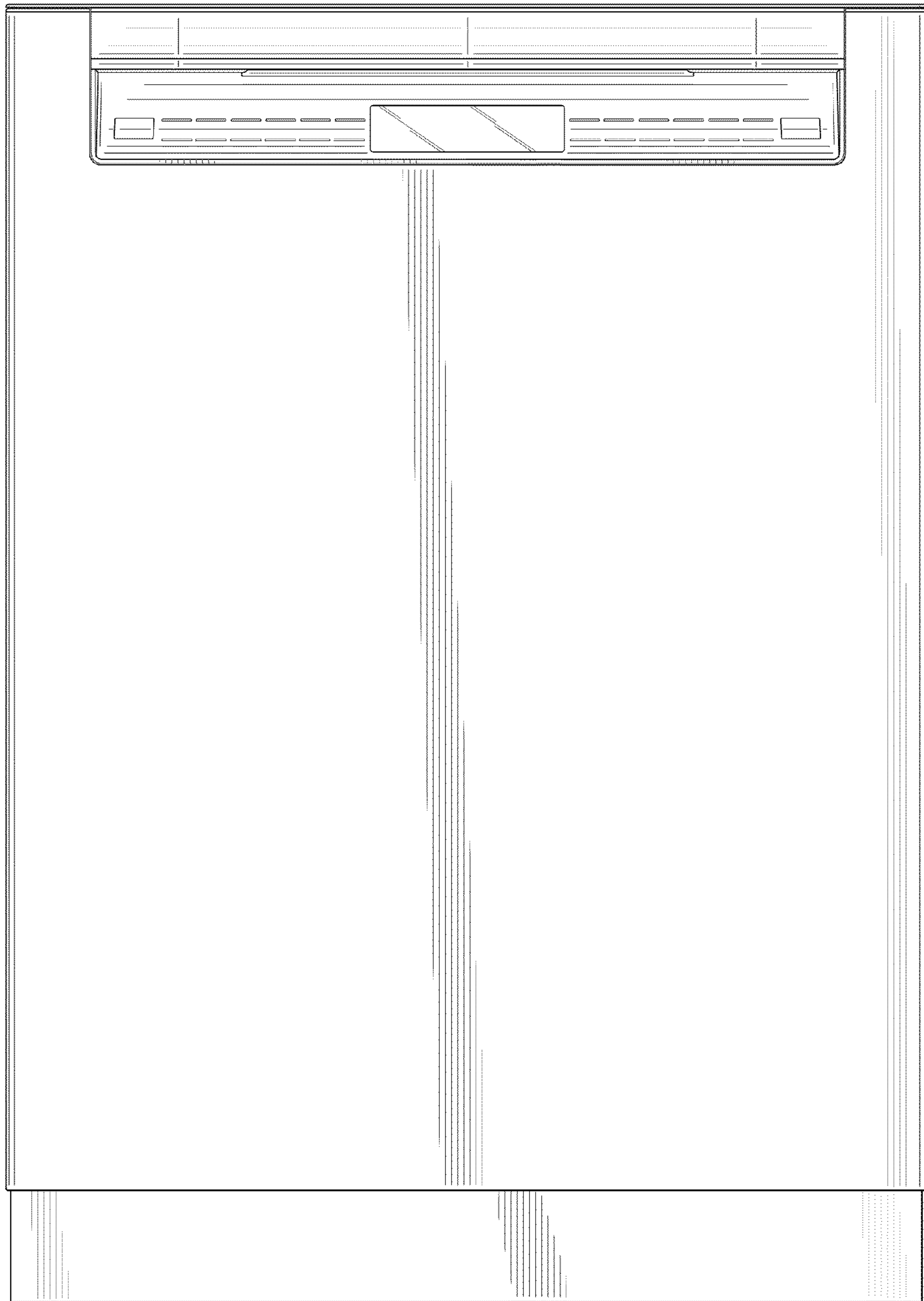


Fig. 9

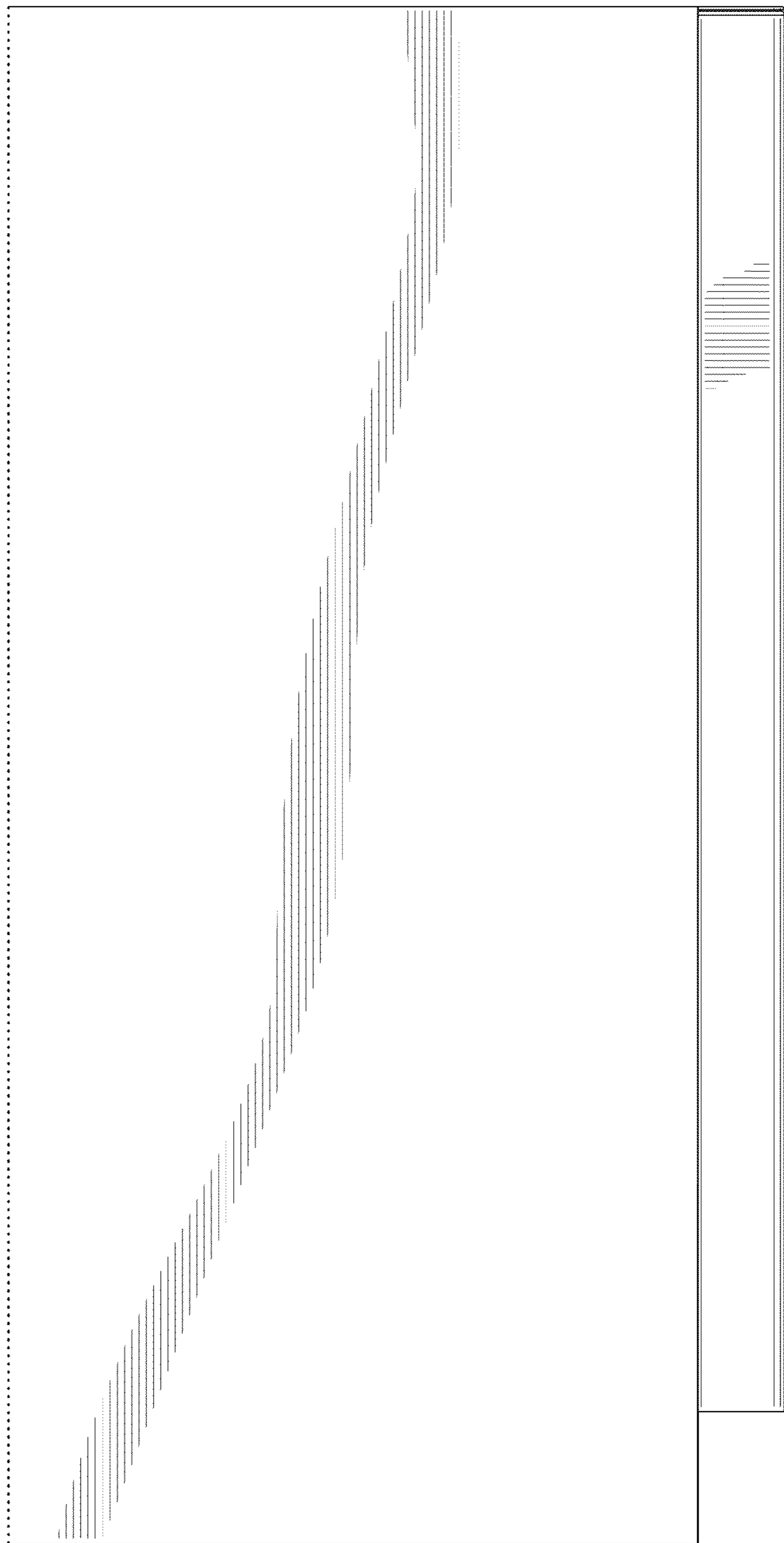


Fig. 10

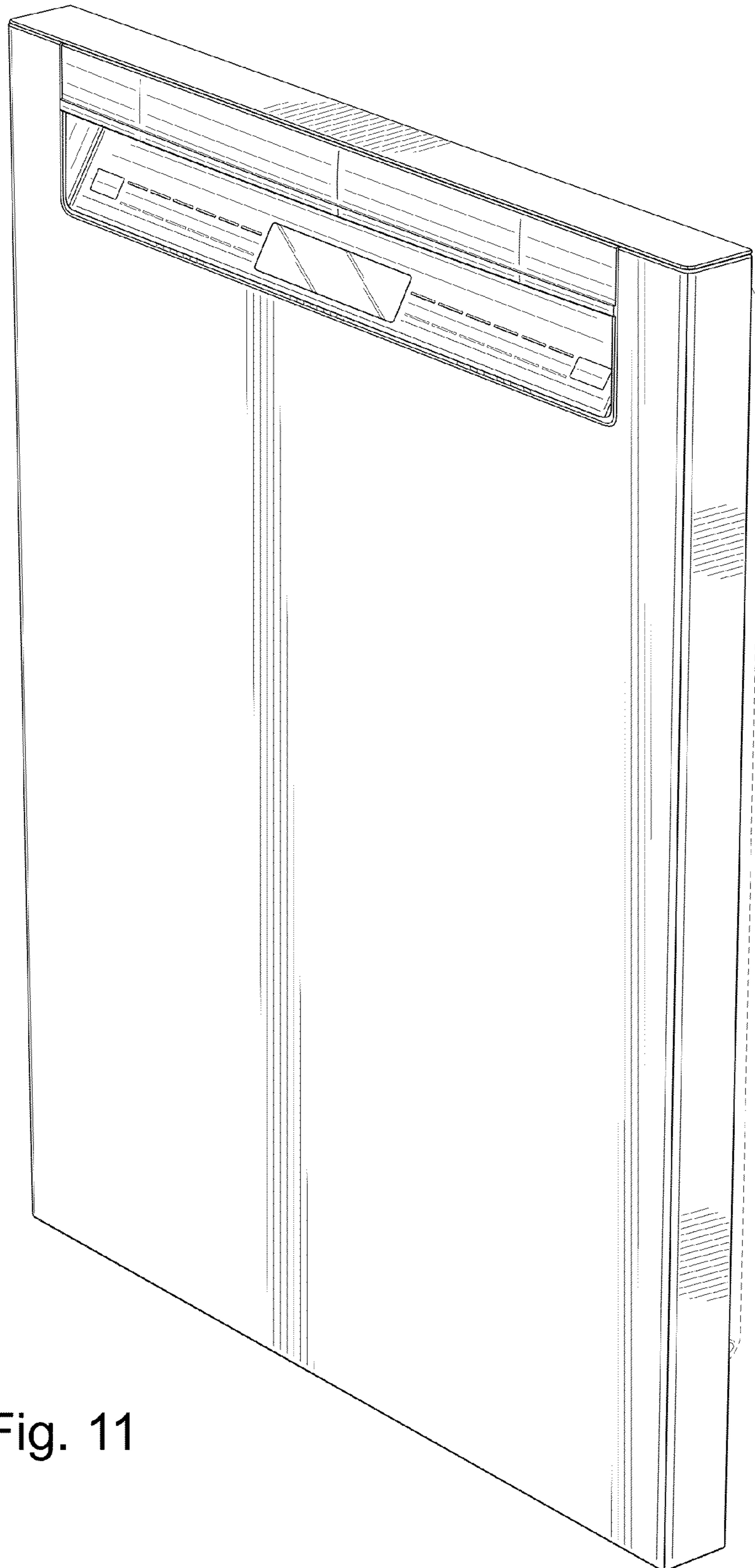


Fig. 11

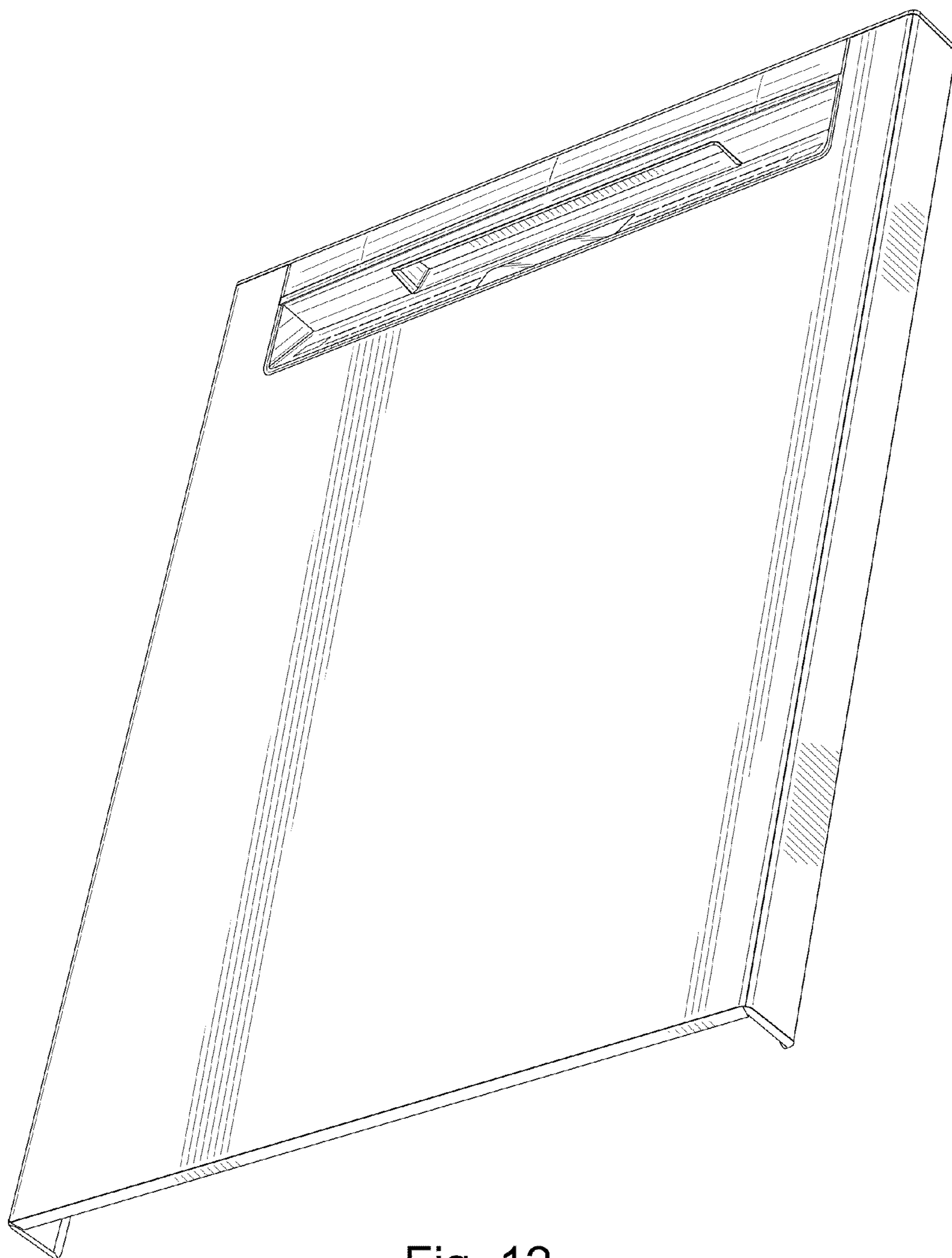


Fig. 12