



US00D689247S

(12) **United States Design Patent**
Reichert

(10) **Patent No.:** **US D689,247 S**

(45) **Date of Patent:** **** Sep. 3, 2013**

(54) **LITTER TRAY MAT**

(76) Inventor: **Matthew Reichert**, West Chester, PA
(US)

(**) Term: **14 Years**

(21) Appl. No.: **29/423,987**

(22) Filed: **Jun. 6, 2012**

(51) **LOC (9) Cl.** **30-99**

(52) **U.S. Cl.**
USPC **D30/161; D30/119**

(58) **Field of Classification Search**
USPC **D30/118, 161; 119/28.5, 161-170;**
D7/554.3

See application file for complete search history.

(56) **References Cited**

U.S. PATENT DOCUMENTS

D351,694 S	10/1994	Evans	
5,355,837 A *	10/1994	Reyes	119/161
5,816,195 A *	10/1998	Flynn	119/165
D435,149 S *	12/2000	Kleinberg	D30/161
6,550,423 B1 *	4/2003	Pope	119/161
D478,452 S	8/2003	Kafka et al.	
D517,753 S	3/2006	Northrop	
D518,248 S	3/2006	Northrop	
D523,192 S	6/2006	Northrop	
7,128,023 B2 *	10/2006	Otsuji et al.	119/169

D609,412 S	2/2010	Seager et al.	
D612,555 S	3/2010	Kim	
D613,464 S	4/2010	Cook et al.	
D613,914 S *	4/2010	Askinasi	D30/161
D617,959 S *	6/2010	Twu	D30/161
D621,105 S	8/2010	Askinasi	
8,033,249 B1	10/2011	Cook et al.	
D652,587 S *	1/2012	Matsuo et al.	D30/161

* cited by examiner

Primary Examiner — Cathy A McCormac

(74) *Attorney, Agent, or Firm* — QuickPatents; Kevin Prince

(57) **CLAIM**

I claim the ornamental design for a litter tray mat, as shown and described.

DESCRIPTION

FIG. 1 is a perspective view of a litter tray mat, showing my new design;

FIG. 2 is a top plan view thereof;

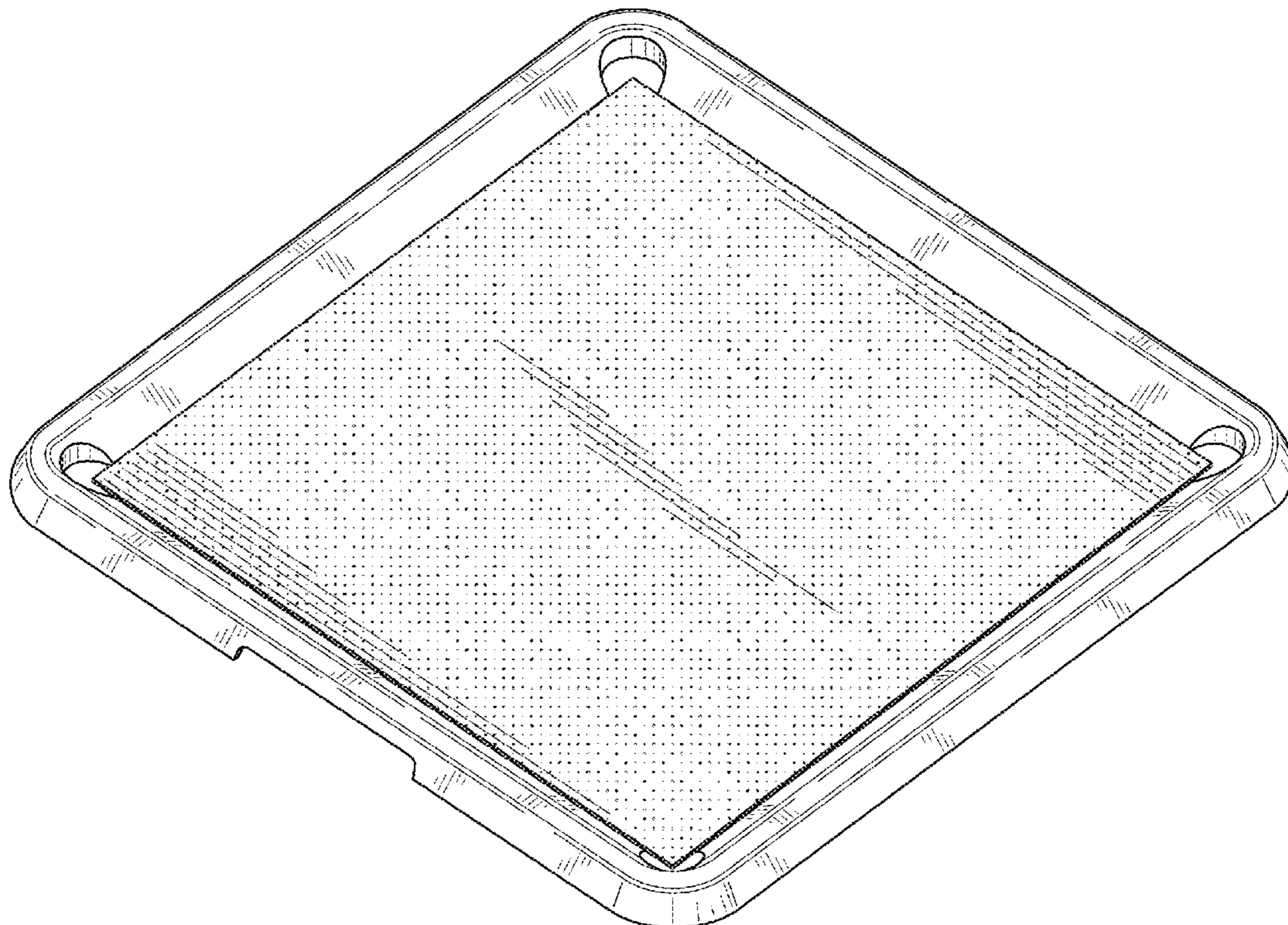
FIG. 3 is a front elevational view thereof, the rear elevational view being an identical image thereof; and,

FIG. 4 is a left-side elevational view thereof, the right-side elevational view being an identical image thereof.

The bottom plan view forms no part of the claimed design.

The broken lines in FIG. 4 are for illustration only and form no part of the claimed design.

1 Claim, 3 Drawing Sheets



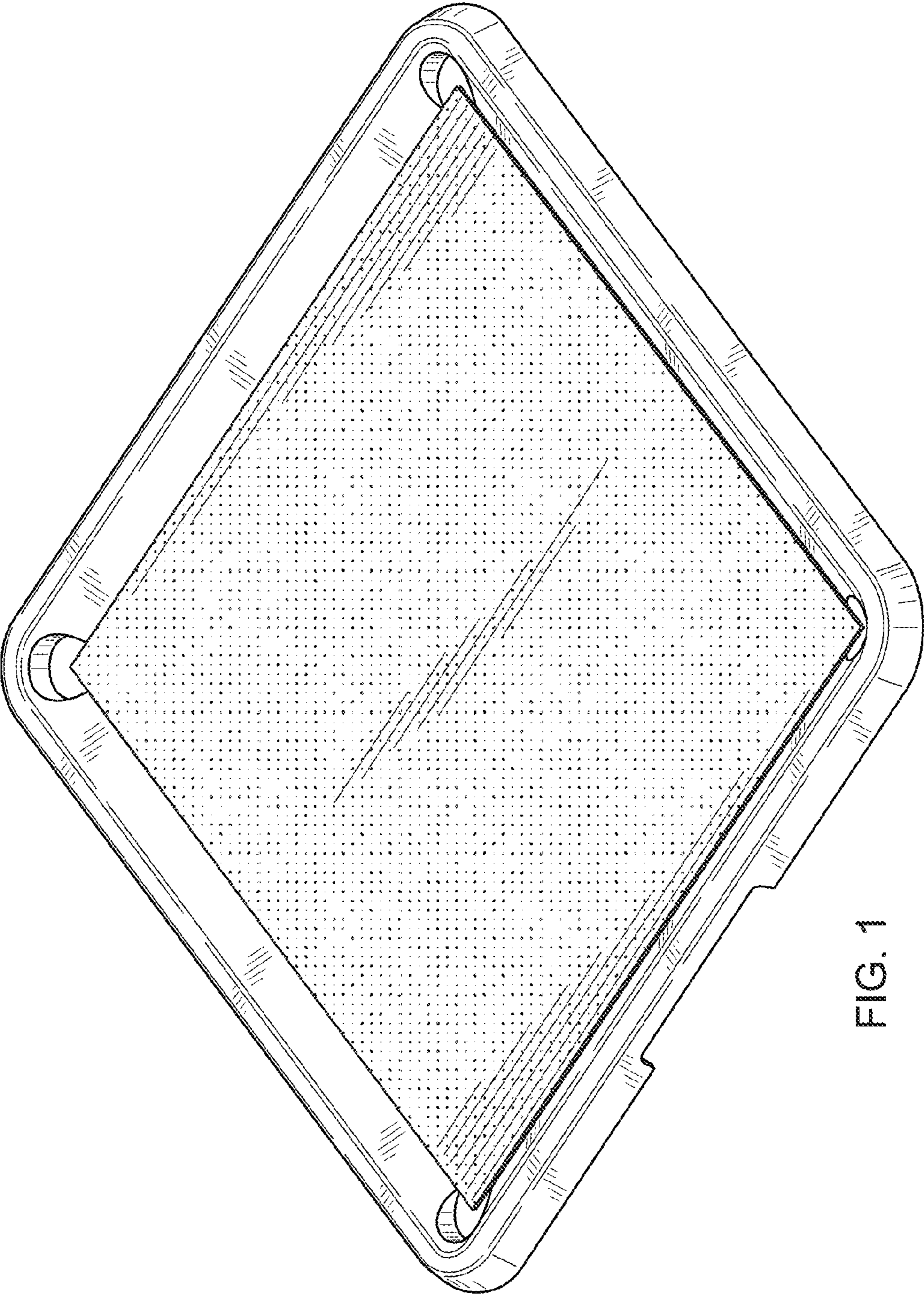


FIG. 1

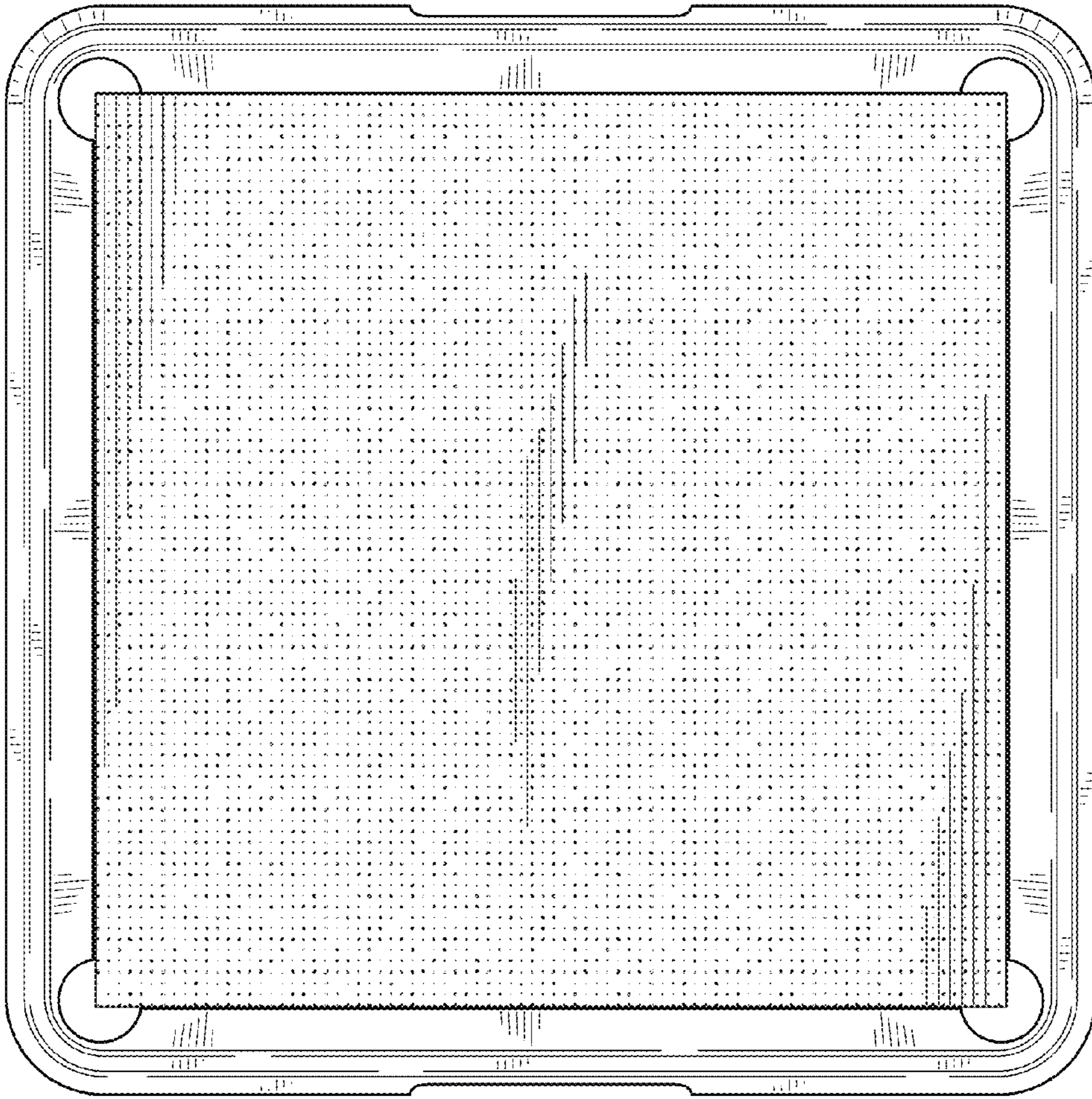


FIG. 2



FIG. 3

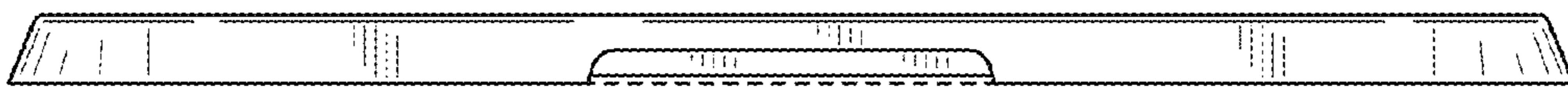


FIG. 4