



US00D689244S

(12) **United States Design Patent**  
**Willis**

(10) **Patent No.:** **US D689,244 S**

(45) **Date of Patent:** **\*\* Sep. 3, 2013**

(54) **COMBINATION HELMET AND CAP**

(76) **Inventor:** **Bernard Willis, Conyers, GA (US)**

(\*\*) **Term:** **14 Years**

(21) **Appl. No.:** **29/427,475**

(22) **Filed:** **Jul. 18, 2012**

(51) **LOC (9) Cl.** ..... **02-03**

(52) **U.S. Cl.**  
USPC ..... **D29/102**

(58) **Field of Classification Search**

USPC ..... D29/102-107, 122, 109-112; 2/5,  
2/6.3, 3.7, 411-425, 171-173, 205-206,  
2/9, 195, 1, 181.4, 906, 202, 10, 6.6, 410,  
2/183; D2/867-868, 870, 878-880, 882,  
D2/886-888, 893, 869, 866; D21/659-661;  
D14/129; 345/8; 348/157, 347, 82

See application file for complete search history.

(56) **References Cited**

**U.S. PATENT DOCUMENTS**

1,456,183	A	5/1923	Knight	
D136,649	S *	11/1943	Dannenberg	..... D2/879
2,698,434	A	1/1955	Davia	
3,103,015	A	9/1963	Plastino	
D203,153	S	12/1965	Marchello	
D206,648	S	1/1967	Webb	
D374,972	S	10/1996	Nelson	
5,669,075	A *	9/1997	Weeks	..... 2/172
5,701,609	A *	12/1997	Bridges	..... 2/422
D402,088	S *	12/1998	Edwards	..... D2/866
D420,493	S *	2/2000	Blake	..... D2/866
D424,665	S *	5/2000	Svendsen	..... D23/285
6,233,745	B1 *	5/2001	Friesen	..... 2/172
6,305,029	B1 *	10/2001	Reynolds	..... 2/422

D476,776	S	7/2003	Finquel	
D478,398	S	8/2003	Rampell	
6,996,852	B1 *	2/2006	Cabrera	..... 2/172
D518,920	S	4/2006	Fowler	
D571,048	S	6/2008	Fowler	
D583,507	S *	12/2008	Stingone	..... D29/106
D591,485	S *	5/2009	Cho	..... D2/879
D594,185	S *	6/2009	Lacy	..... D2/879
D597,283	S	8/2009	Timms	
D625,081	S *	10/2010	Oates	..... D2/879
2004/0060100	A1 *	4/2004	Reiterman	..... 2/422
2008/0066214	A1 *	3/2008	O'Hare	..... 2/172
2009/0064385	A1 *	3/2009	Crossman et al.	..... 2/6.6

\* cited by examiner

*Primary Examiner* — Ruth McInroy

(74) *Attorney, Agent, or Firm* — QuickPatents; Kevin Prince

(57) **CLAIM**

I claim the ornamental design for a combination helmet and cap, as shown and described.

**DESCRIPTION**

FIG. 1 is a rear perspective view of a combination helmet and cap, showing my new design, a strap thereof in a fastened configuration;

FIG. 2 is a top plan view thereof;

FIG. 3 is a left-side elevational view thereof, the strap in an unfastened configuration;

FIG. 4 is a rear elevational view of FIG. 3;

FIG. 5 is a right-side elevational view of FIG. 3;

FIG. 6 is a front elevational view of FIG. 3; and,

FIG. 7 is a bottom plan view of FIG. 3.

The broken lines showing a person in FIG. 1 depict environmental matter and form no part of the claimed design.

**1 Claim, 3 Drawing Sheets**

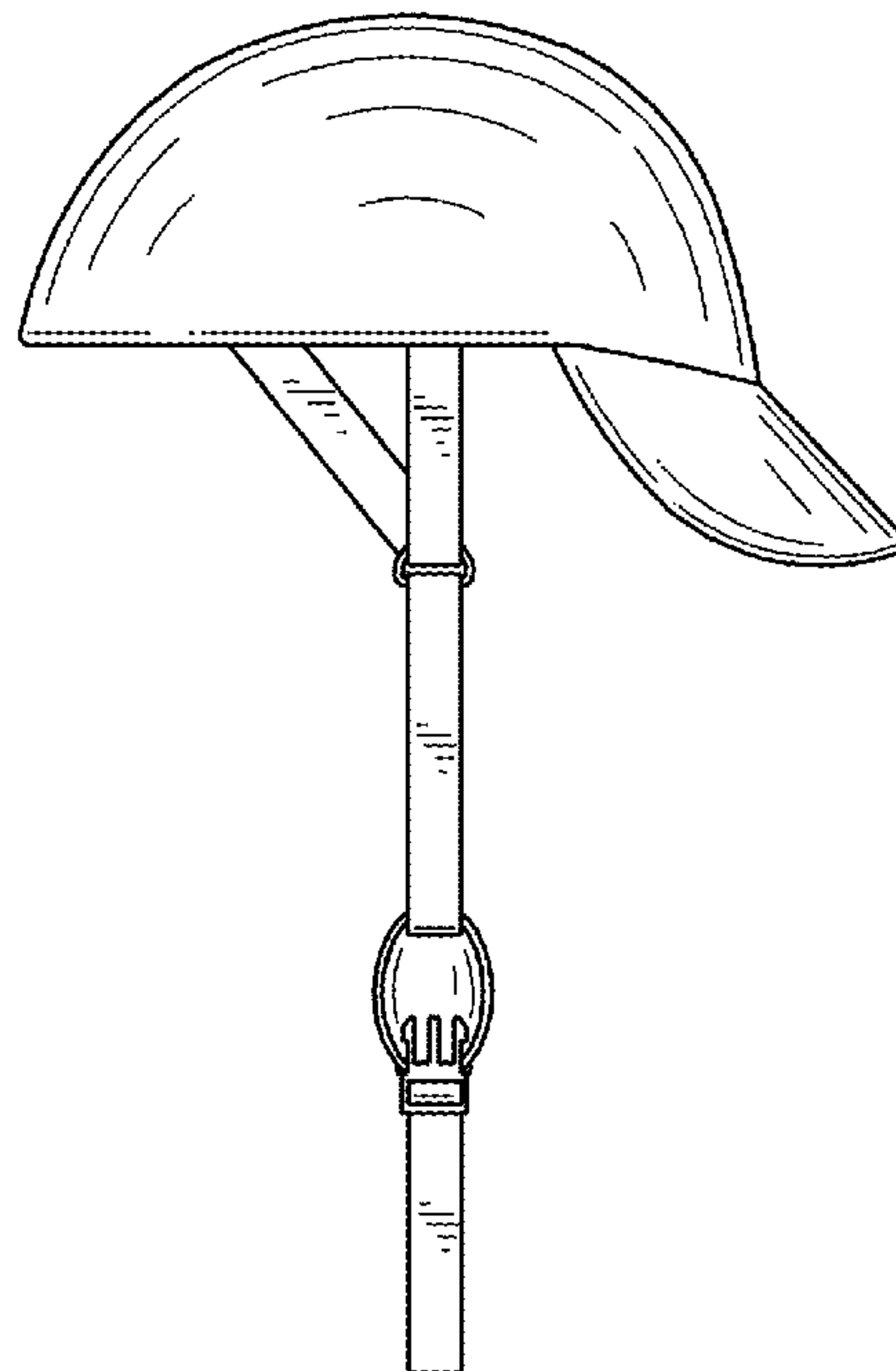
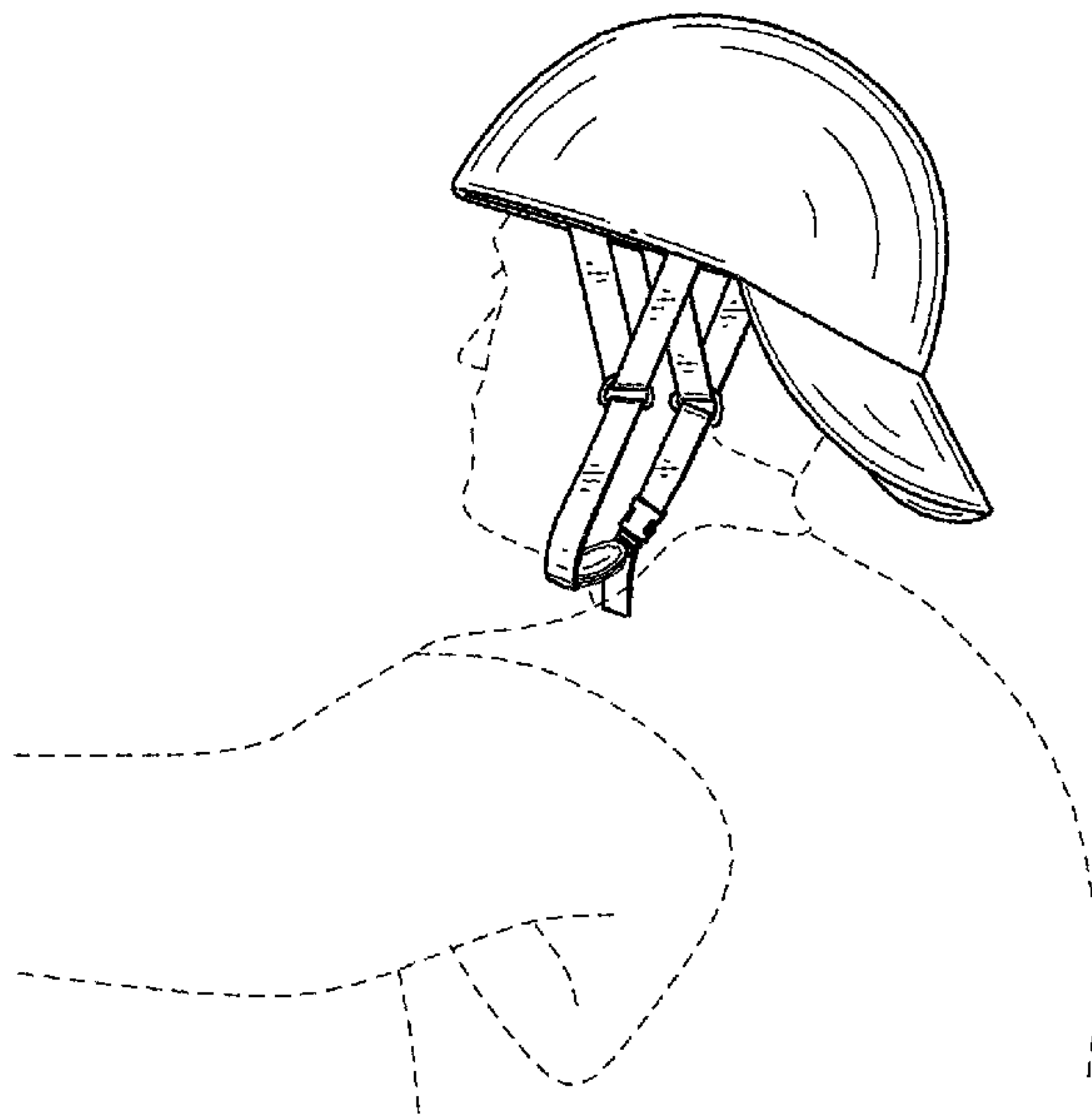


FIG. 1

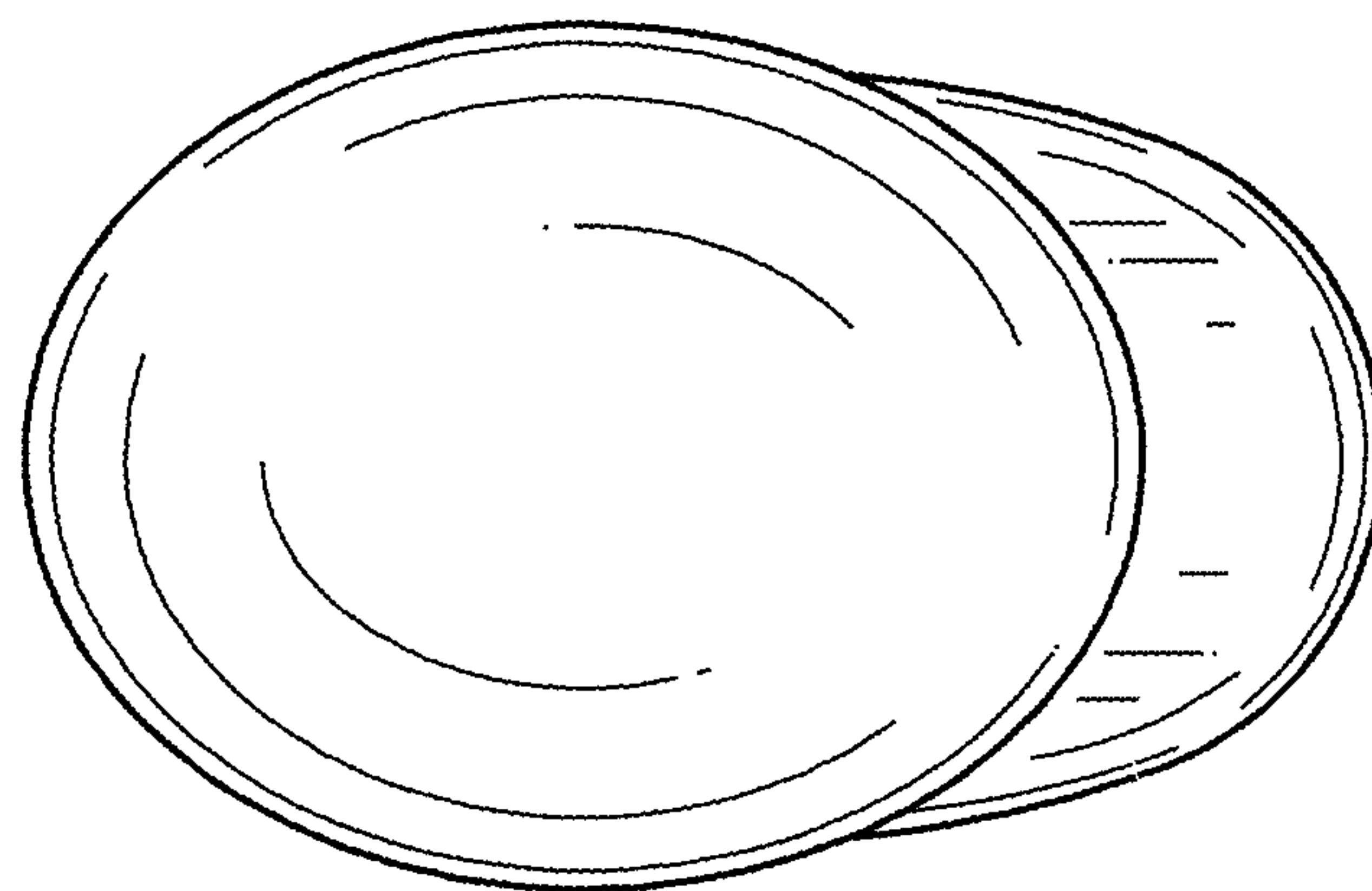
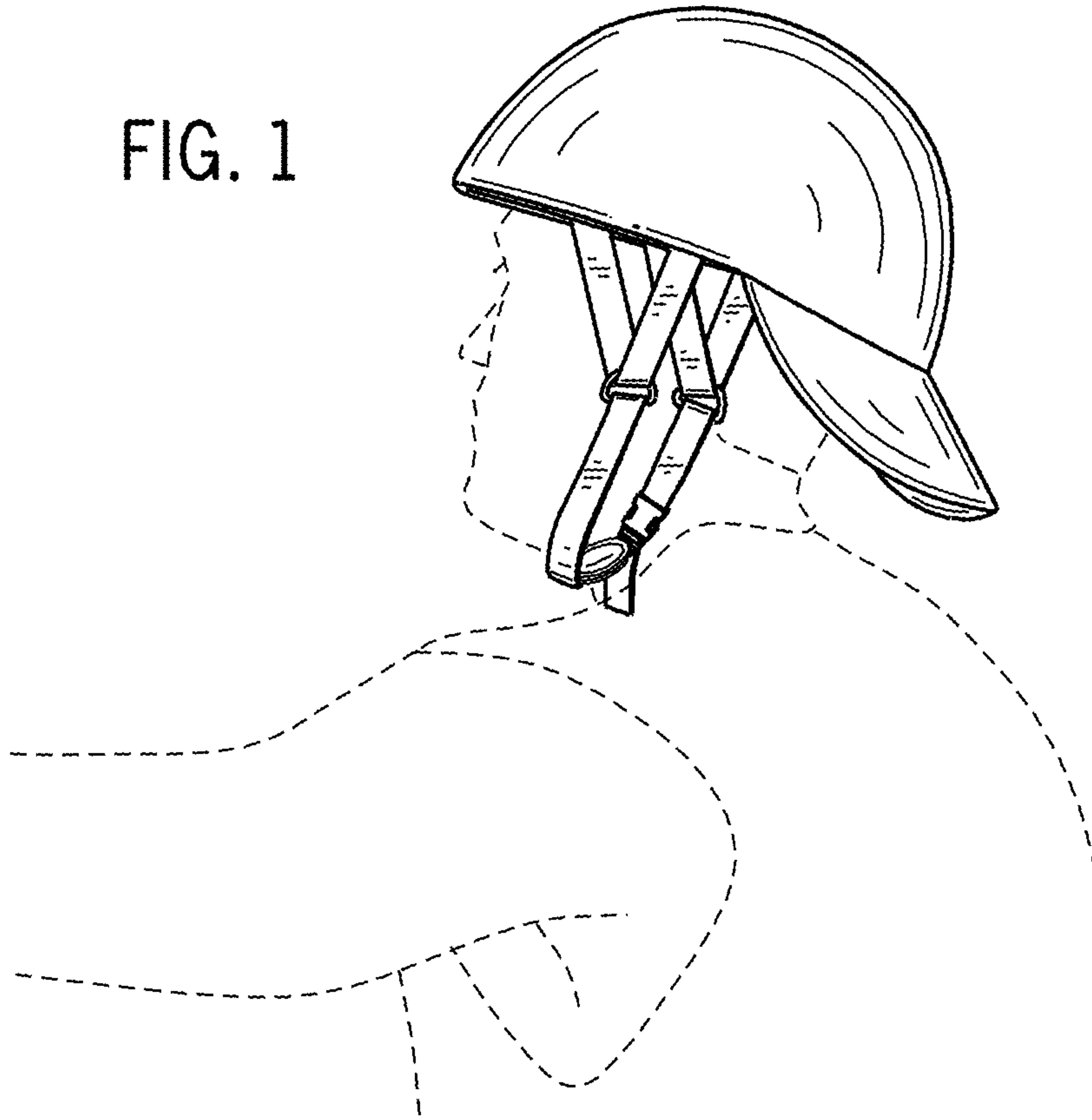


FIG. 2

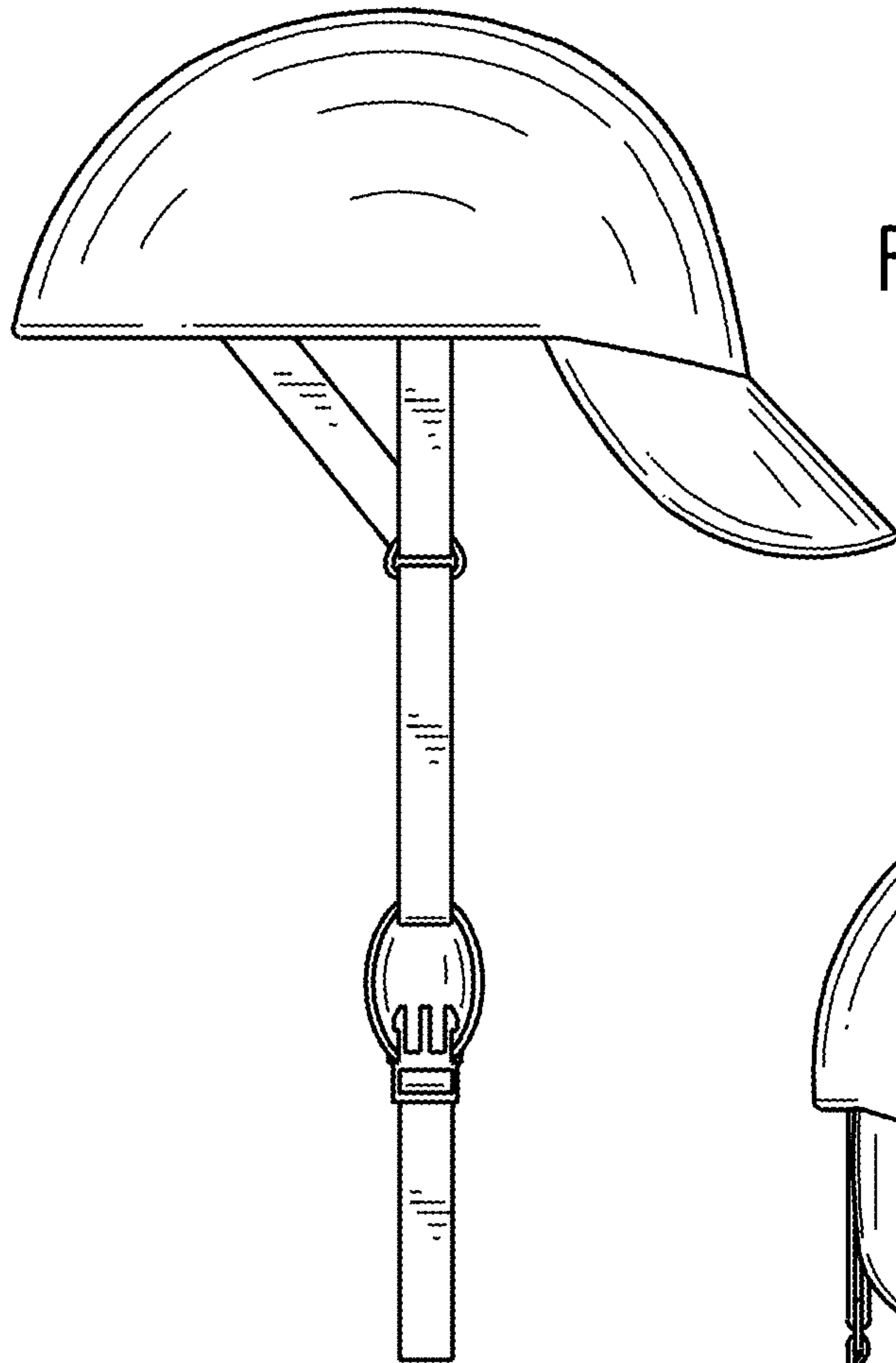


FIG. 3

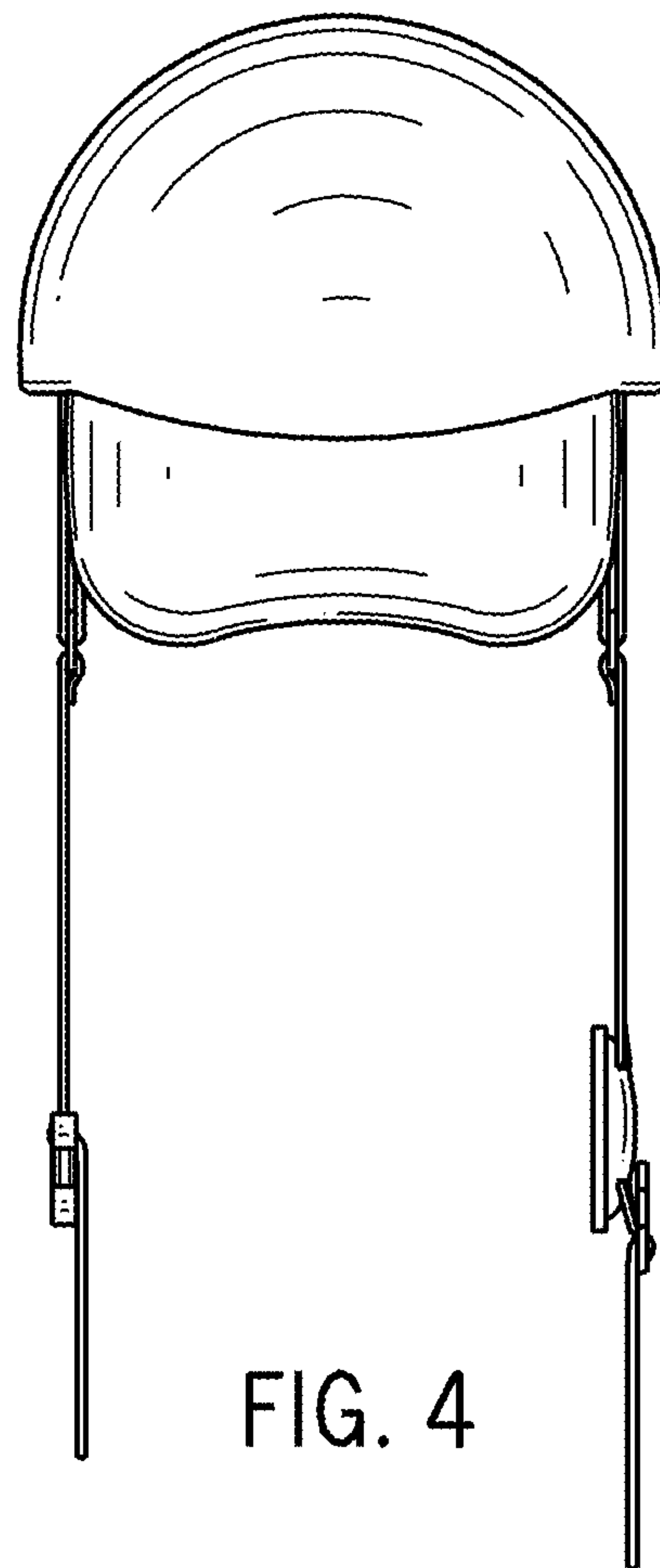


FIG. 4

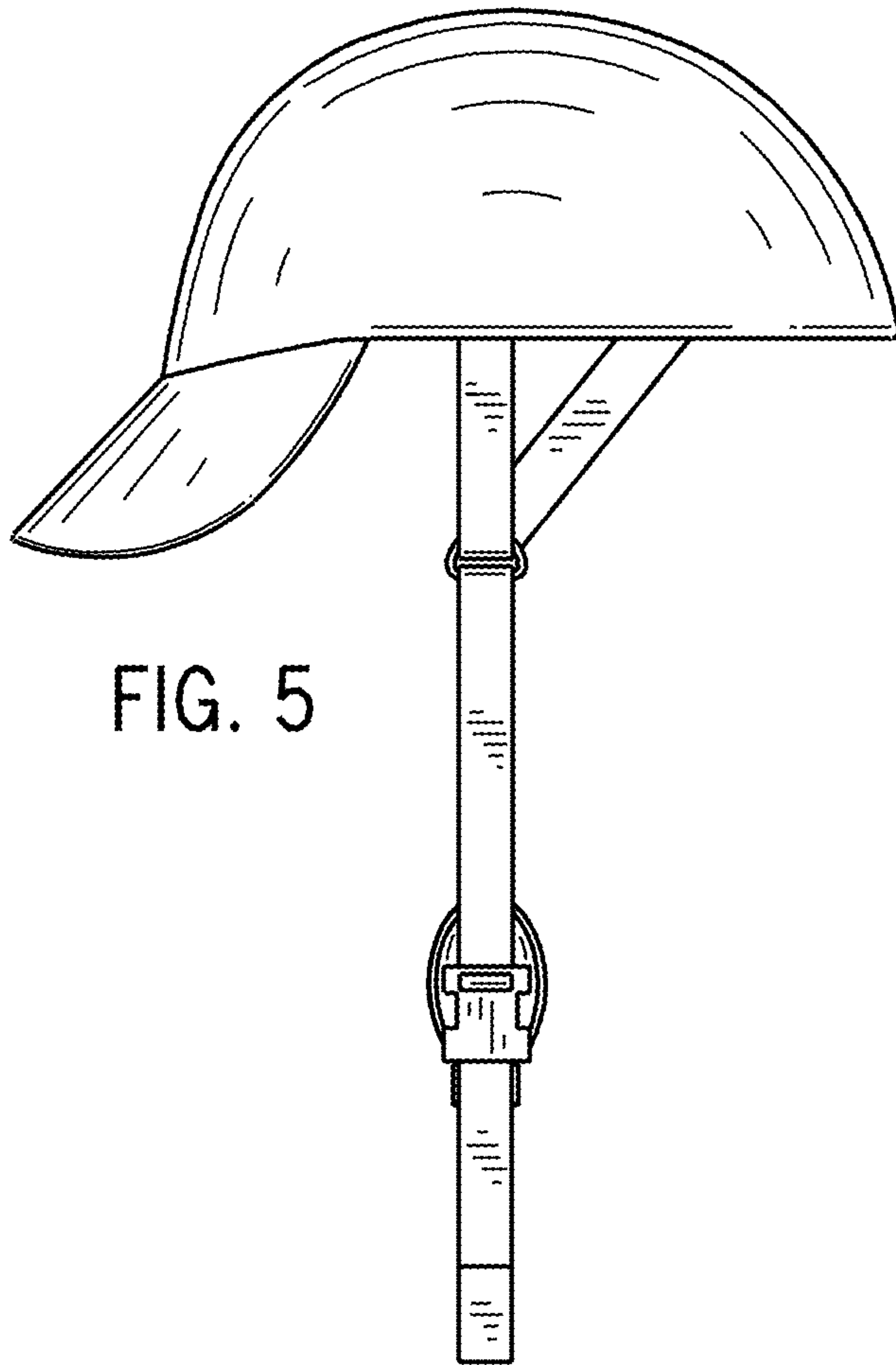


FIG. 5

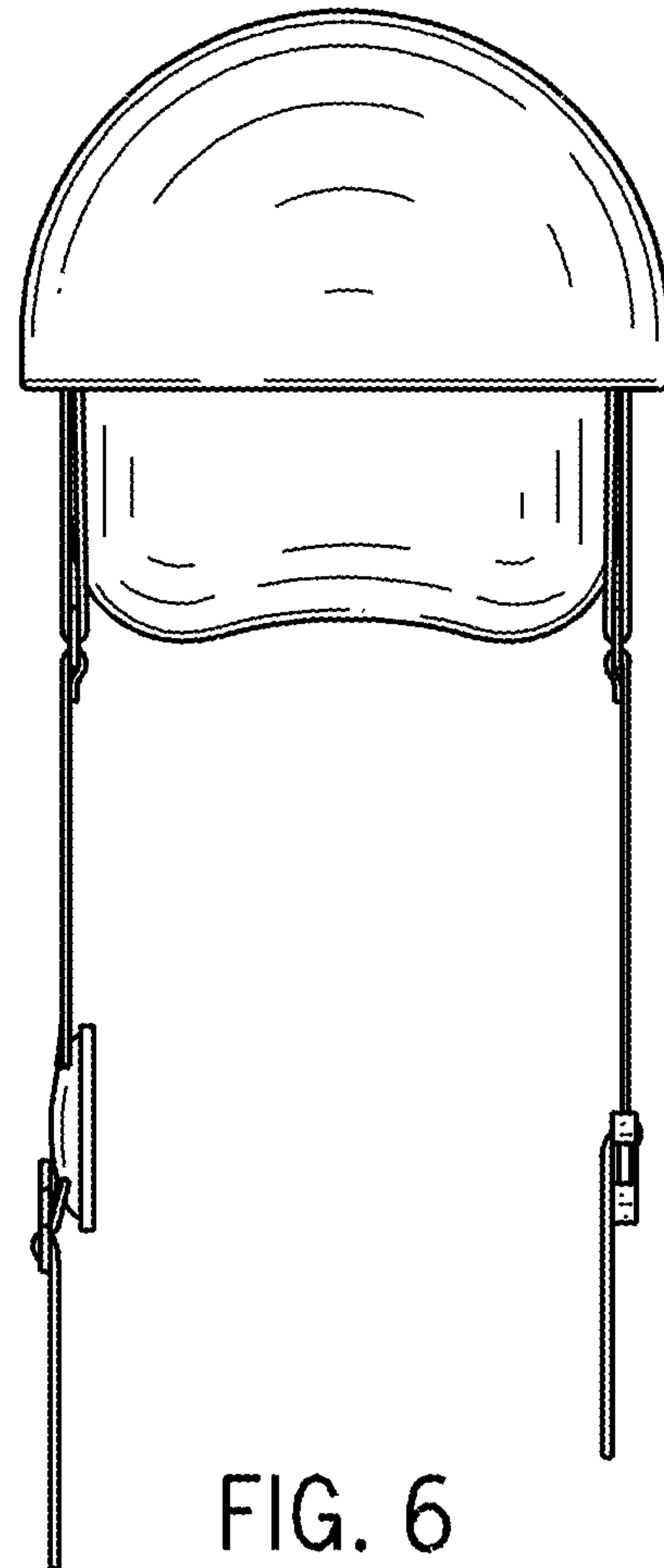


FIG. 6

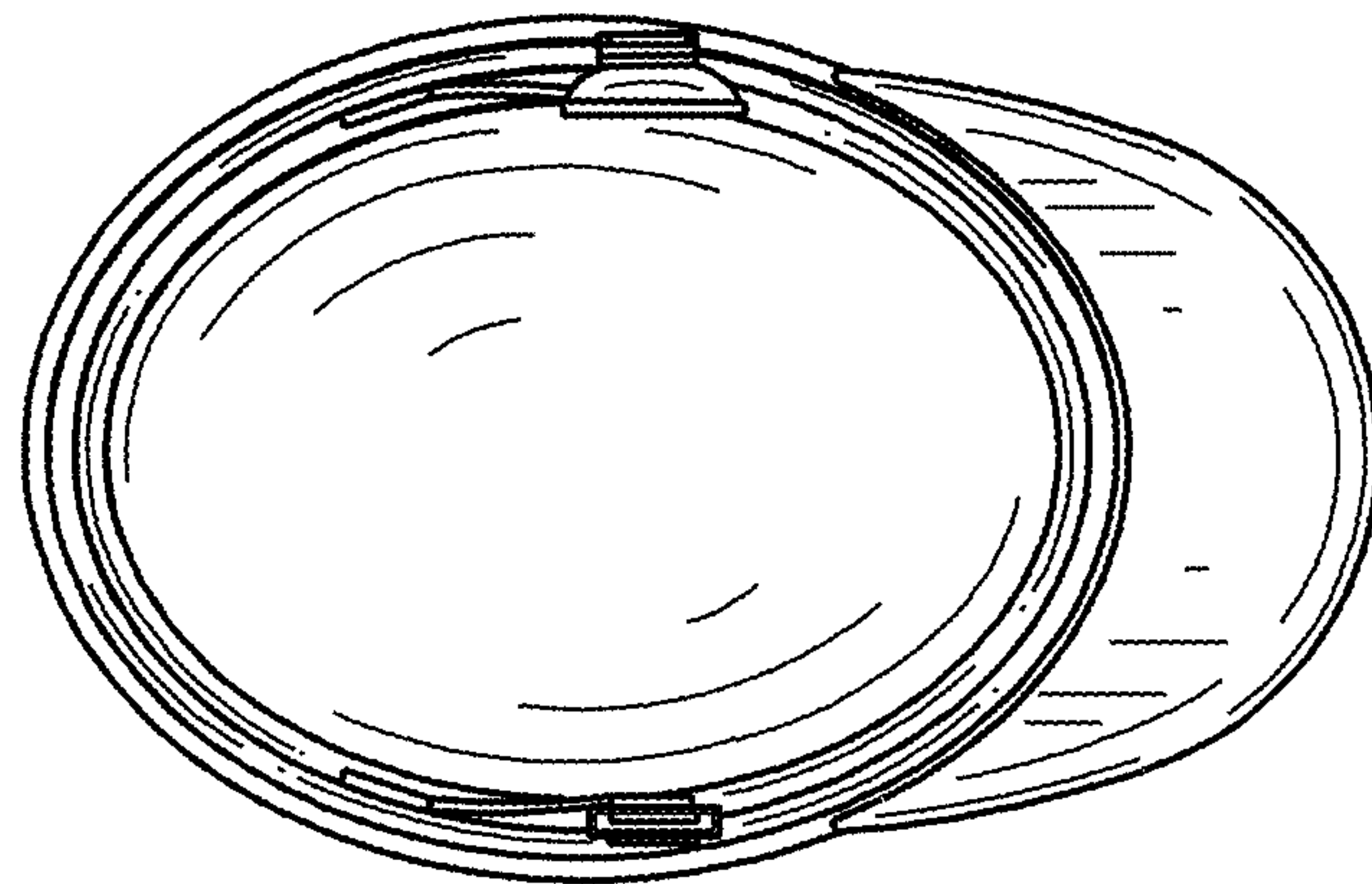


FIG. 7