



US00D689242S

(12) **United States Design Patent**
Grabes et al.

(10) **Patent No.:** **US D689,242 S**
(45) **Date of Patent:** **** Sep. 3, 2013**

(54) **SHAVER HEAD**

(56) **References Cited**

- (71) Applicant: **Braun GmbH**, Cincinnati, OH (US)
- (72) Inventors: **Oliver Grabes**, Kronberg (DE); **Bjorn Kling**, Kronberg (DE); **Rory McGarry**, Kronberg (DE); **Markus Orthey**, Kronberg (DE); **Gregor Ptok**, Kronberg (DE); **Fritz Schubert**, Kronberg (DE); **Bernhard Sikora**, Kronberg (DE); **Renke Joris Thye**, Kronberg (DE)
- (73) Assignee: **Braun GmbH**, Kronberg (DE)
- (**) Term: **14 Years**
- (21) Appl. No.: **29/441,248**
- (22) Filed: **Jan. 3, 2013**

U.S. PATENT DOCUMENTS

D513,341 S	12/2005	Ullmann	
D513,346 S	12/2005	Buck, Jr.	
D513,541 S	1/2006	Nishizawa	
7,107,692 B2	9/2006	Kappes et al.	
D551,801 S	9/2007	Ullmann	
D561,940 S	2/2008	Ullmann	
D571,957 S	6/2008	Nishizawa	
D571,960 S	6/2008	Nishizawa	
D572,408 S	7/2008	Nishizawa	
D586,955 S	2/2009	Eigenstetter et al.	
D587,849 S	3/2009	Nishizawa	
D590,542 S	4/2009	Ullmann	
D590,543 S	4/2009	Ullmann	
D592,804 S	5/2009	Refior	
D611,652 S	3/2010	Ullmann	
D621,347 S	8/2010	Aulwes et al.	
D632,434 S	2/2011	Maguire et al.	
D638,166 S	5/2011	Martinez de San Vicente	
D664,298 S *	7/2012	Grabes et al.	D28/54
D668,387 S *	10/2012	Grabes et al.	D28/51

(Continued)

Related U.S. Application Data

- (62) Division of application No. 29/397,090, filed on Jul. 12, 2011, now Pat. No. Des. 676,602.

Foreign Application Priority Data

Jan. 12, 2011 (WO) 581840201

(51) **LOC (9) Cl.** **28-03**

(52) **U.S. Cl.**
USPC **D28/54**

(58) **Field of Classification Search**
USPC 30/32, 34.05, 34.1-34.2, 30-31,
30/43-43.92, 44-45, 47-51, 77-84, 526-541,
30/346.5-346.61, 194-196, 198-205, 208-216,
30/233-233.5; D28/44-44.1, 45-54

See application file for complete search history.

FOREIGN PATENT DOCUMENTS

EM 01248447-0001 1/2011

Primary Examiner — Jennifer Rivard

(74) *Attorney, Agent, or Firm* — David K Mattheis; Kim W Zerby

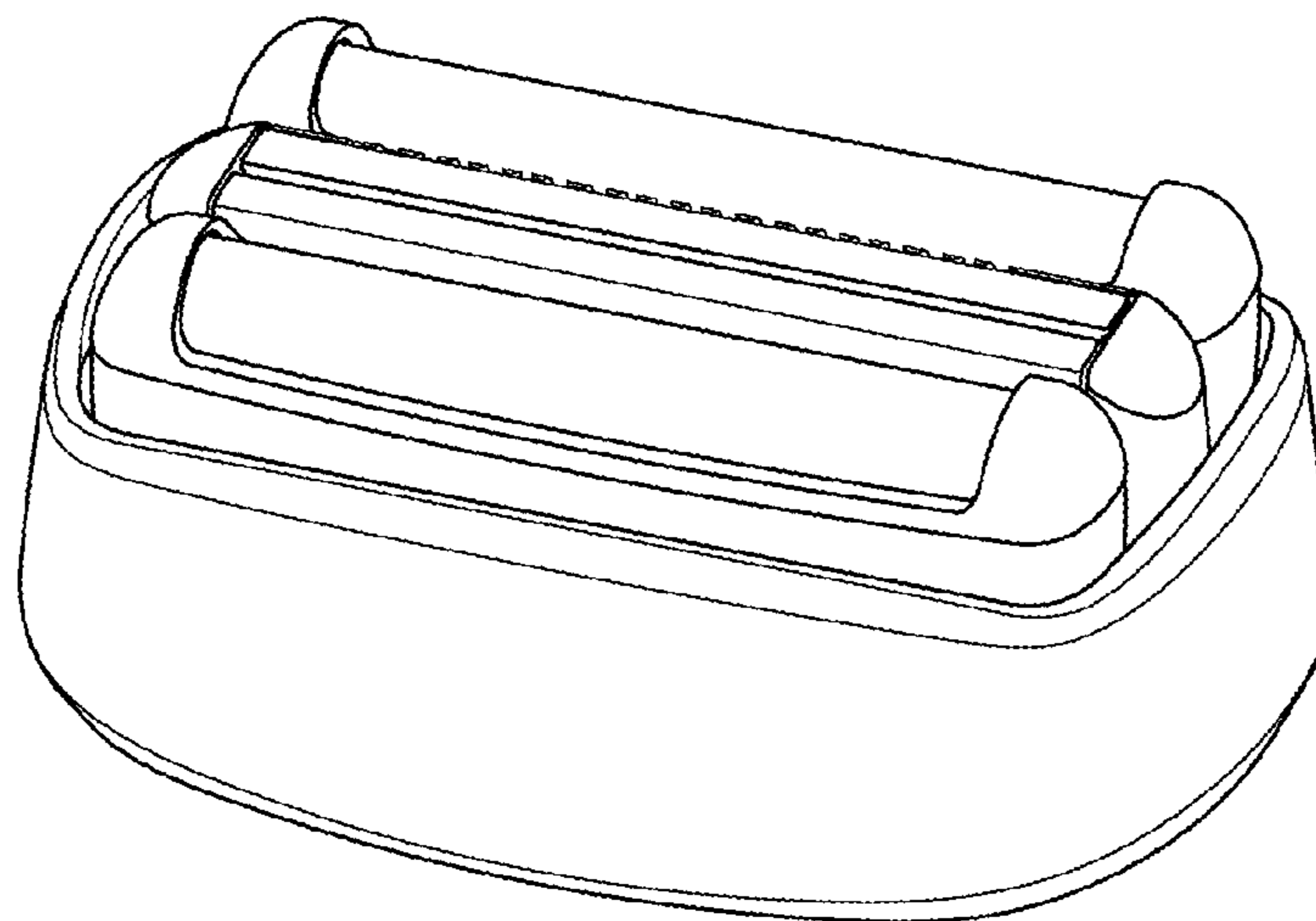
(57) **CLAIM**

The ornamental design for a shaver head, as shown and described.

DESCRIPTION

FIG. 1 is a perspective view of a shaver head;
FIG. 2 is a front view thereof;
FIG. 3 is a right side view thereof;
FIG. 4 is a rear view thereof;
FIG. 5 is a left side view thereof;
FIG. 6 is a top plan view thereof; and,
FIG. 7 is a bottom view thereof.

1 Claim, 2 Drawing Sheets



(56)

References Cited

U.S. PATENT DOCUMENTS

2004/0194326 A1 10/2004 Kappes et al.
2005/0034313 A1 2/2005 Hoser et al.

2006/0042103 A1 3/2006 Chasen
2008/0134514 A1 6/2008 Iwasaki et al.
2009/0133264 A1 5/2009 Eichhorn et al.
2011/0179648 A1 7/2011 Sakon et al.

* cited by examiner

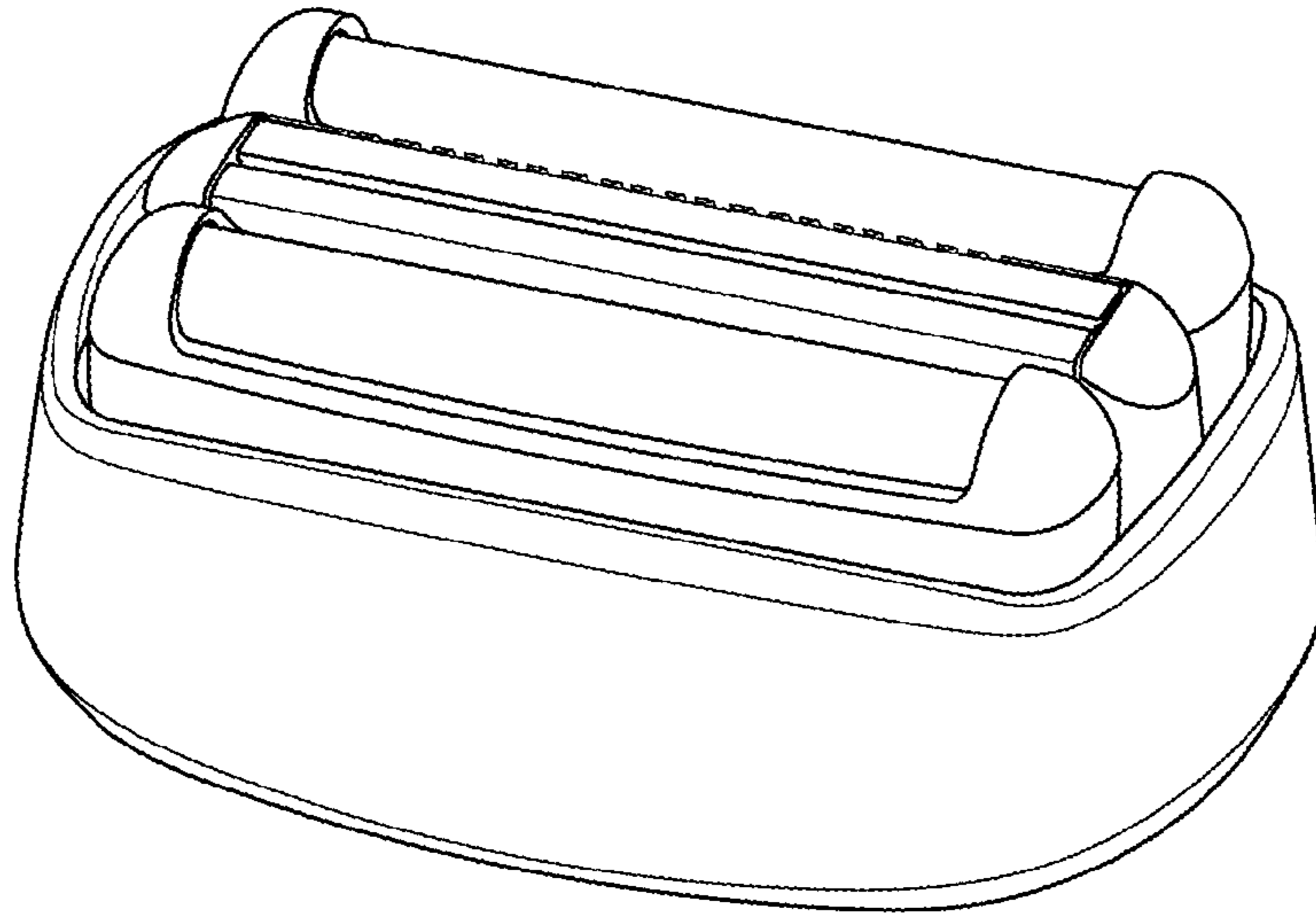


Fig. 1

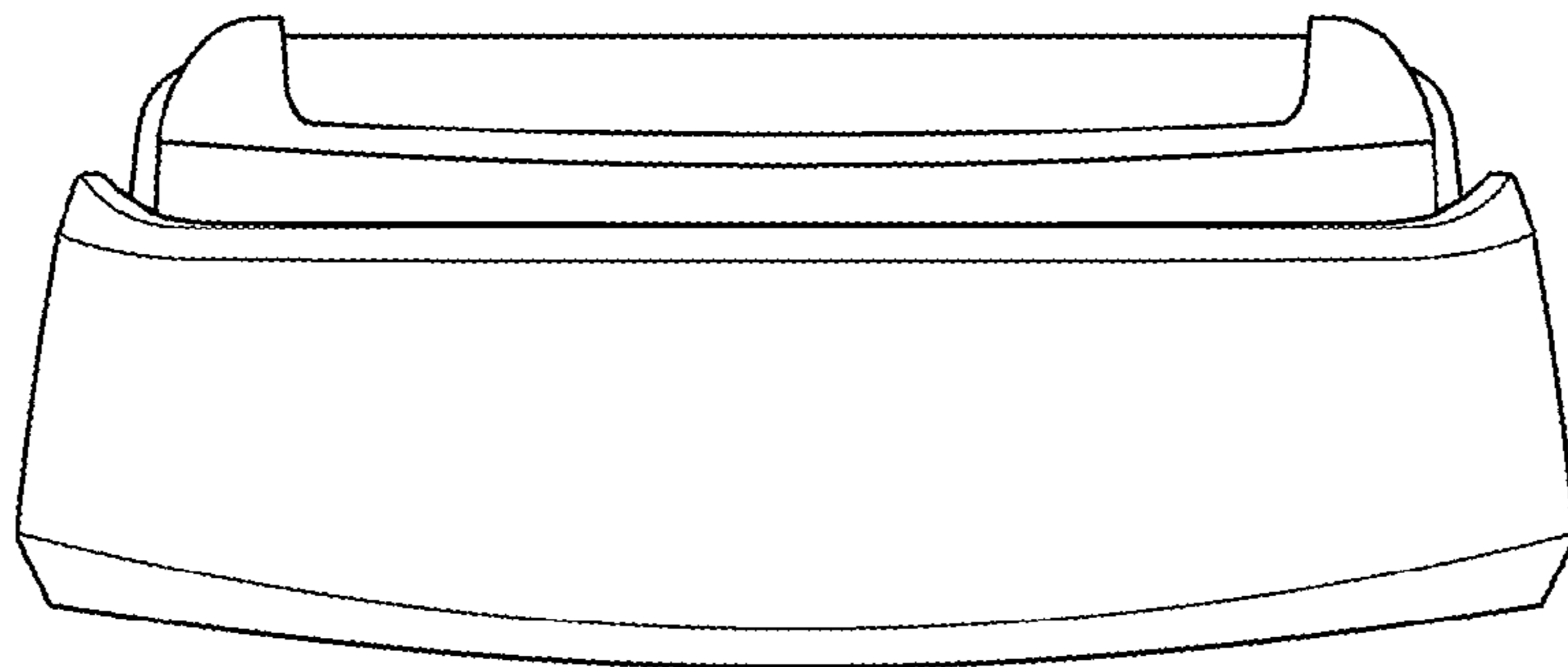


Fig. 2

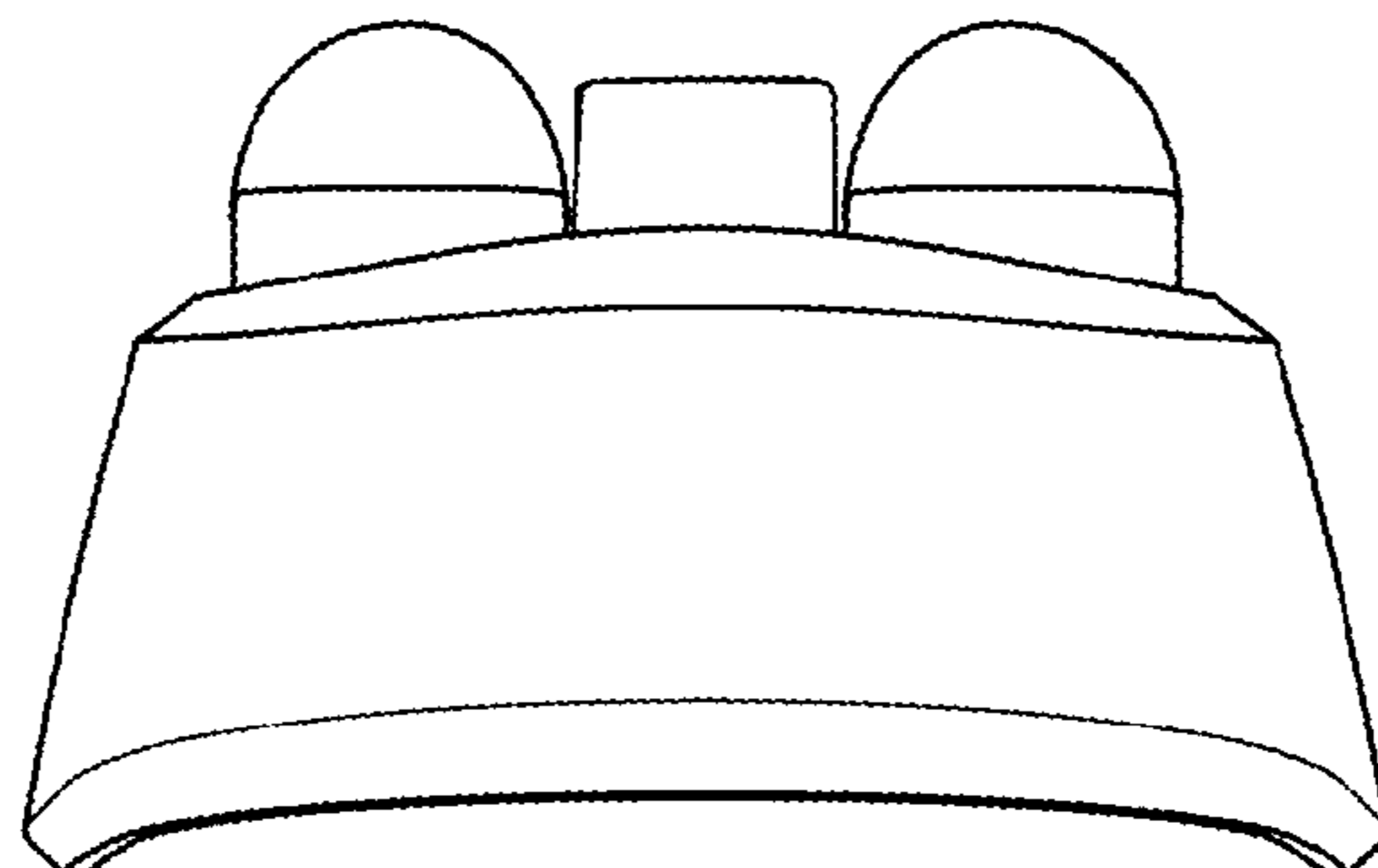


Fig. 3

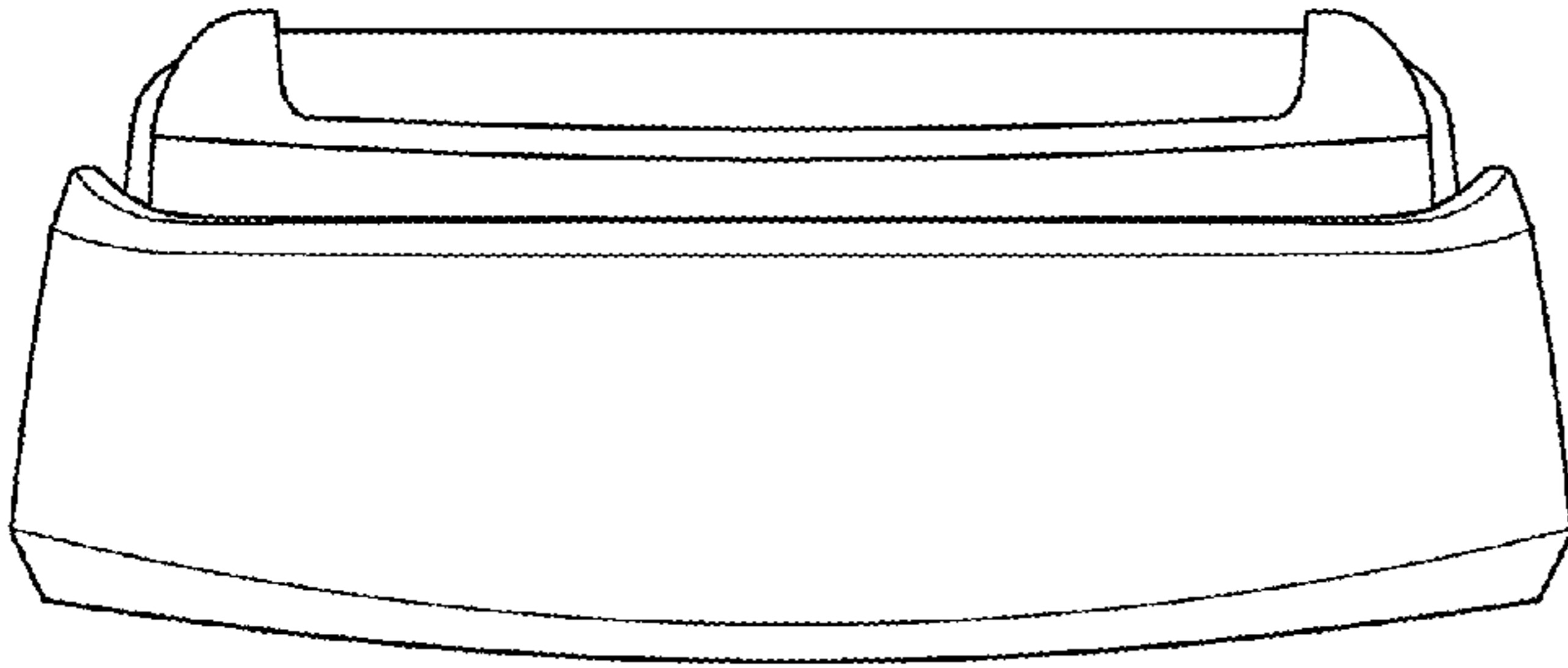


Fig. 4

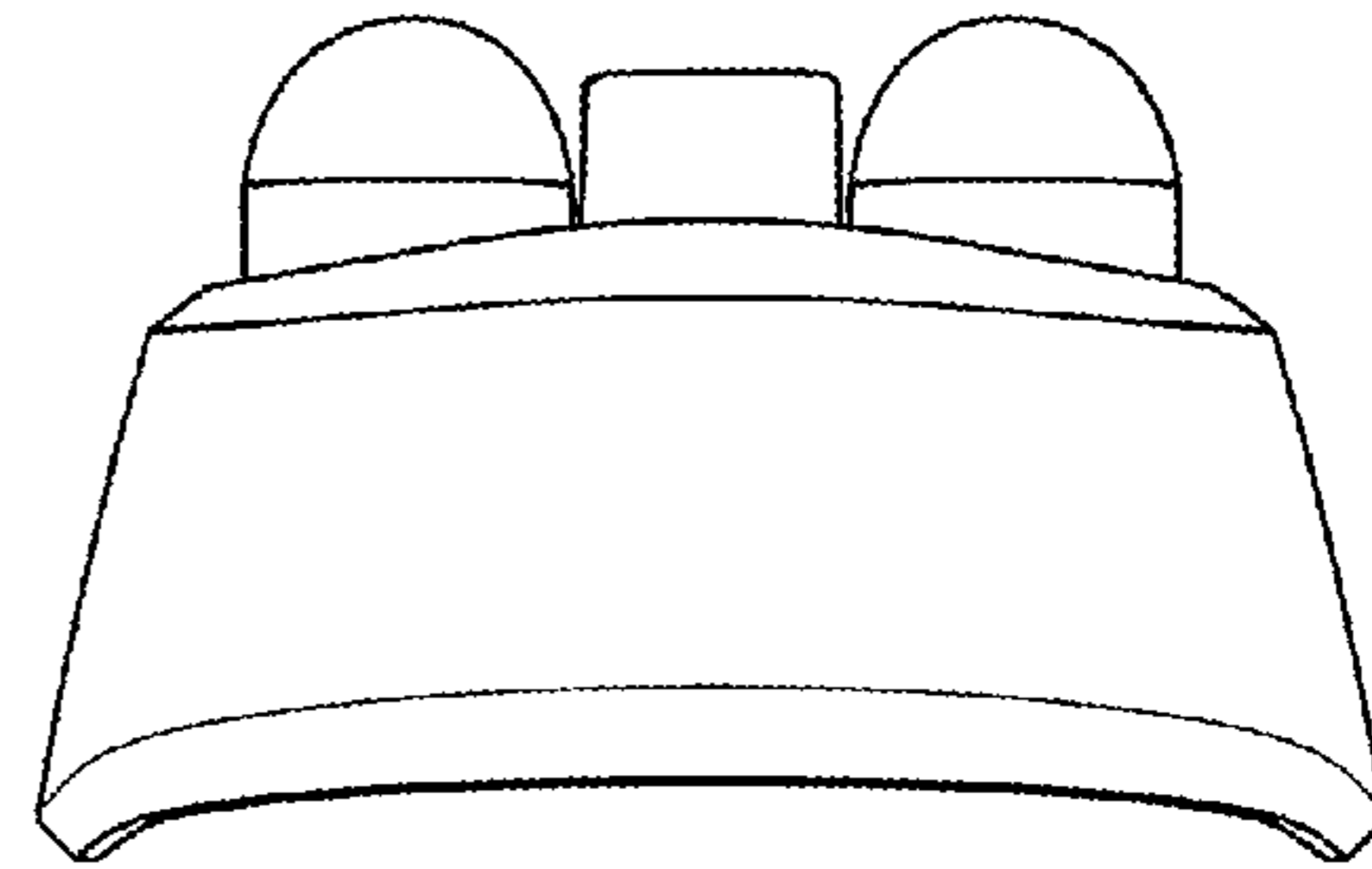


Fig. 5

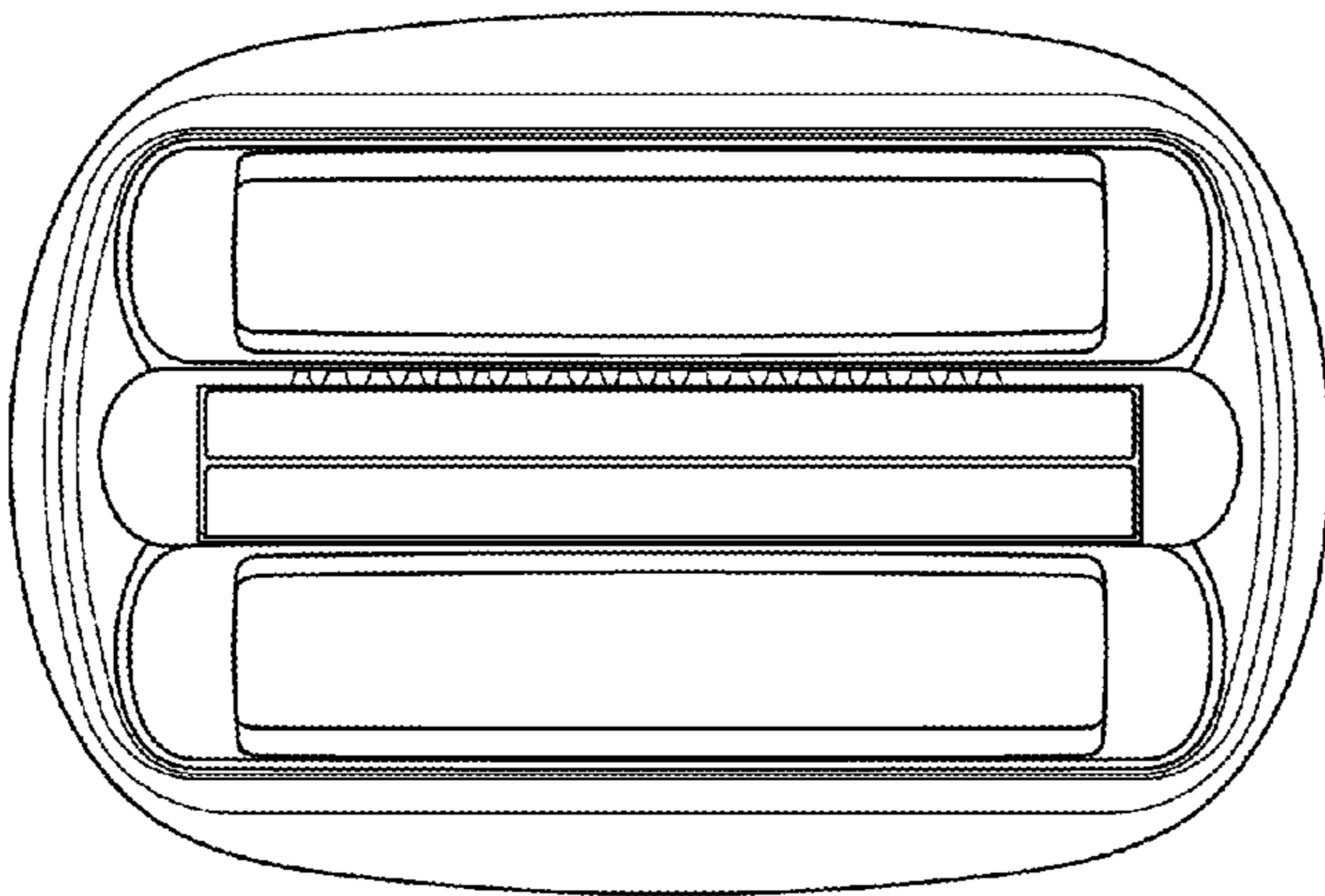


Fig. 6

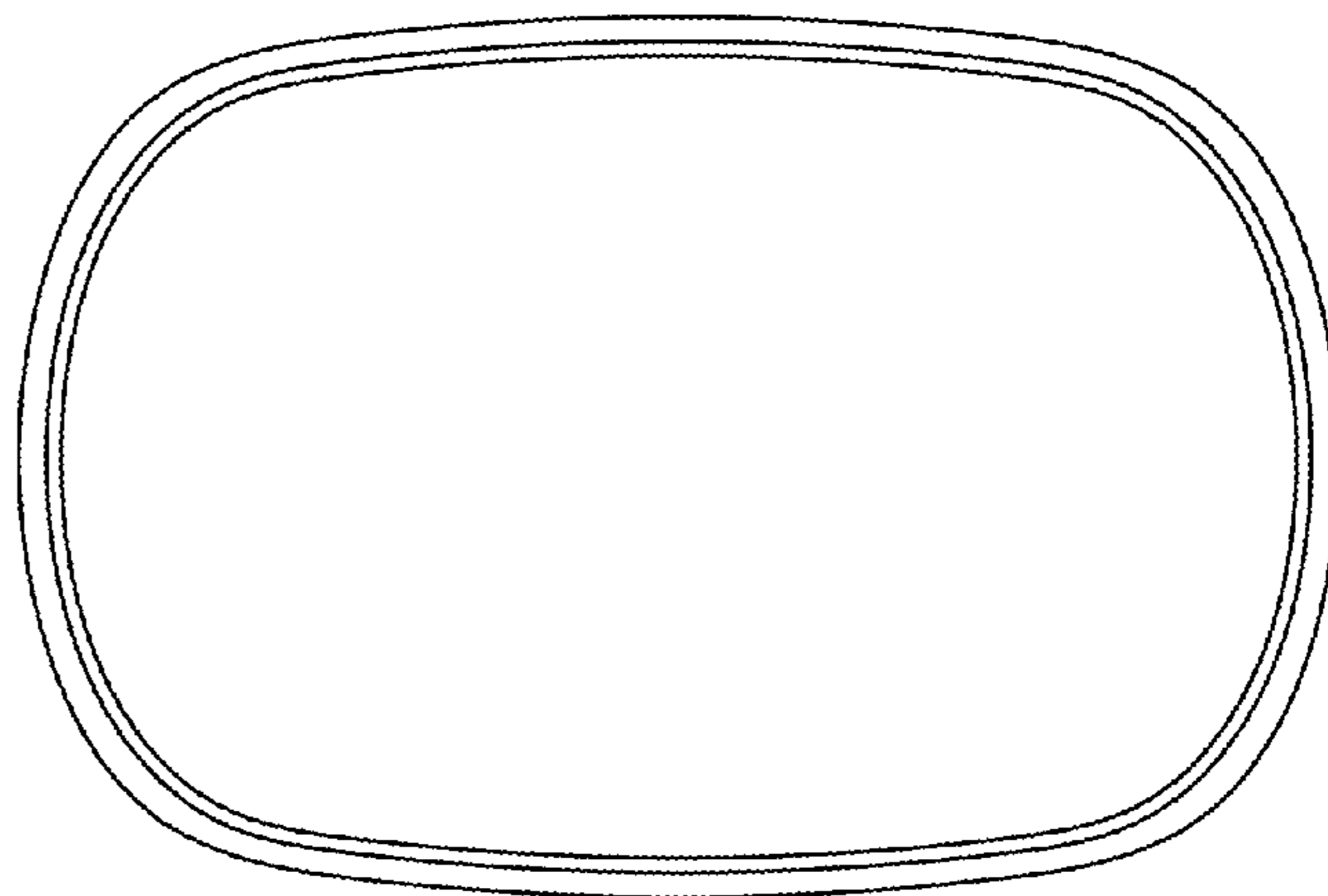


Fig. 7