

US00D689240S

(12) **United States Design Patent**  
**Sunder**

(10) **Patent No.:** **US D689,240 S**

(45) **Date of Patent:** **\*\* Sep. 3, 2013**

(54) **DOSAGE PACKAGING FOR WASHING AGENTS**

(75) Inventor: **Matthias Sunder**, Dusseldorf (DE)

(73) Assignee: **Henkel AG & Co. KGaA**, Duesseldorf (DE)

(\*\*) Term: **14 Years**

(21) Appl. No.: **29/405,488**

(22) Filed: **Nov. 2, 2011**

(30) **Foreign Application Priority Data**

May 5, 2011 (EM) ..... 001859505

(51) **LOC (9) Cl.** ..... **28-02**

(52) **U.S. Cl.**  
USPC ..... **D28/8.1; D9/425**

(58) **Field of Classification Search**  
USPC ..... D28/8.1-8.2, 4; D9/707, 710, 715,  
D9/414, 424-428; 510/141-148, 194, 276,  
510/224, 277, 294-298, 439-450, 514, 520,  
510/523

See application file for complete search history.

(56) **References Cited**

**U.S. PATENT DOCUMENTS**

D341,539 S *	11/1993	Davis et al.	.....	D9/430
D365,244 S *	12/1995	Hawkins	.....	D6/629
D490,567 S *	5/2004	McLeish	.....	D28/8.1
D527,997 S *	9/2006	Kudo et al.	.....	D9/425
D534,422 S *	1/2007	Hallberg	.....	D9/422
D549,094 S *	8/2007	Oner et al.	.....	D9/425

D559,439 S *	1/2008	Schwartz et al.	.....	D28/8.1
D565,244 S *	3/2008	Schwartz et al.	.....	D28/8.1
D599,056 S *	8/2009	Schwartz et al.	.....	D28/8.1
D608,049 S *	1/2010	Schwartz et al.	.....	D28/8.1
D643,574 S *	8/2011	Heidel et al.	.....	D28/8.1
D648,066 S *	11/2011	Heidel et al.	.....	D28/8.1
D656,669 S *	3/2012	Davis et al.	.....	D28/8.1
D662,656 S *	6/2012	Nixon	.....	D28/8.1
D662,659 S *	6/2012	Nixon	.....	D28/8.1
D663,069 S *	7/2012	Nixon	.....	D28/8.1
2003/0119707 A1 *	6/2003	Kosub et al.	.....	510/446
2006/0122088 A1 *	6/2006	Sadlowski et al.	.....	510/295
2009/0018042 A1 *	1/2009	Wiedemann	.....	510/224
2010/0021534 A1 *	1/2010	Duffield et al.	.....	424/451
2010/0105596 A1 *	4/2010	Wiedemann et al.	.....	510/220
2012/0108487 A1 *	5/2012	Graham et al.	.....	510/221

\* cited by examiner

*Primary Examiner* — Jennifer Rivard

(74) *Attorney, Agent, or Firm* — Thomas G. Krivulka

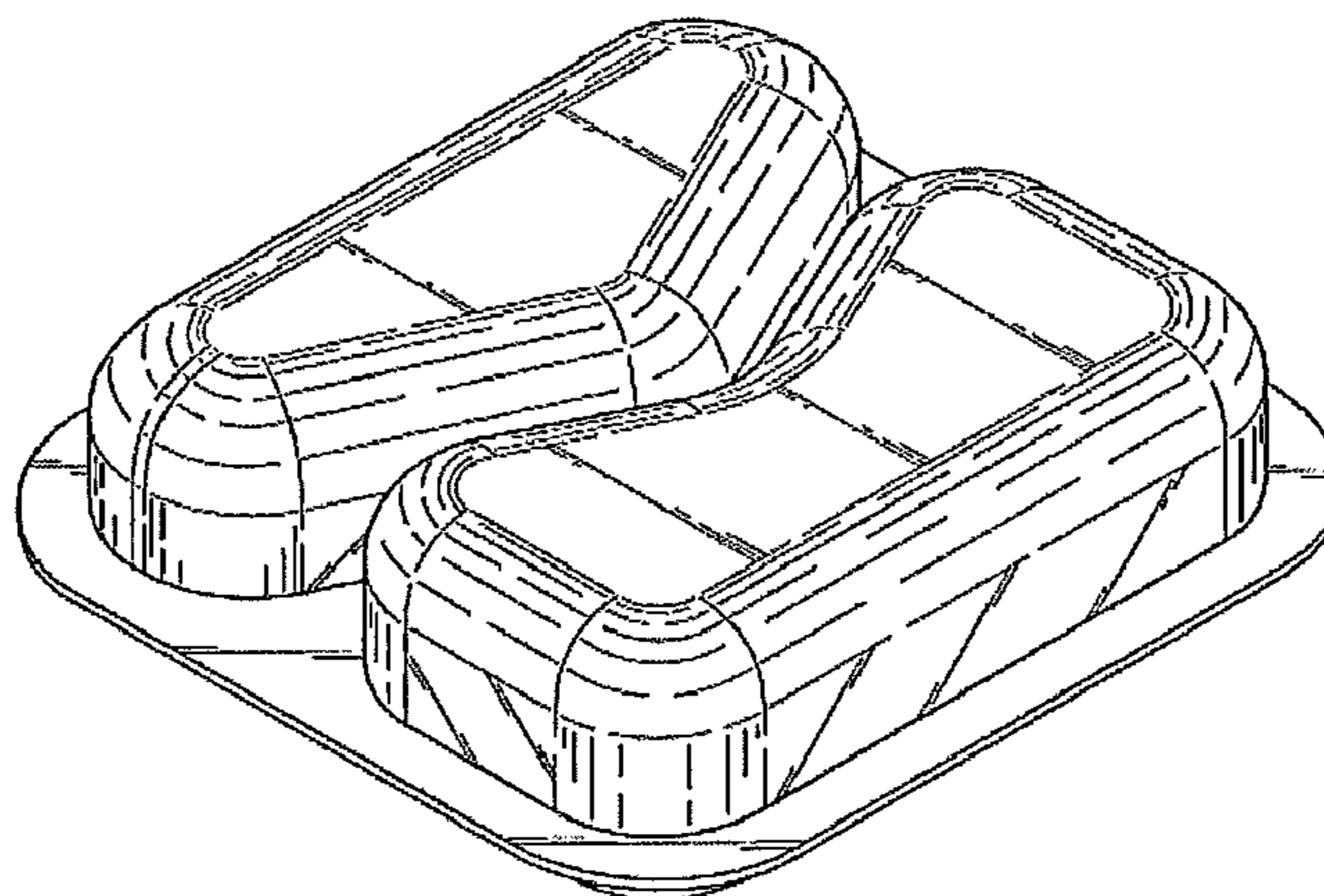
(57) **CLAIM**

The ornamental design for a dosage packaging for washing agents, as shown and described.

**DESCRIPTION**

FIG. 1 is a rear perspective view of a dosage packaging for washing agents embodying our new design;  
FIG. 2 is a front elevation view thereof;  
FIG. 3 is a rear elevation view thereof;  
FIG. 4 is a right side elevation view thereof;  
FIG. 5 is a left side elevation view thereof;  
FIG. 6 is a top plan view thereof; and,  
FIG. 7 is a bottom plan view thereof.

**1 Claim, 4 Drawing Sheets**



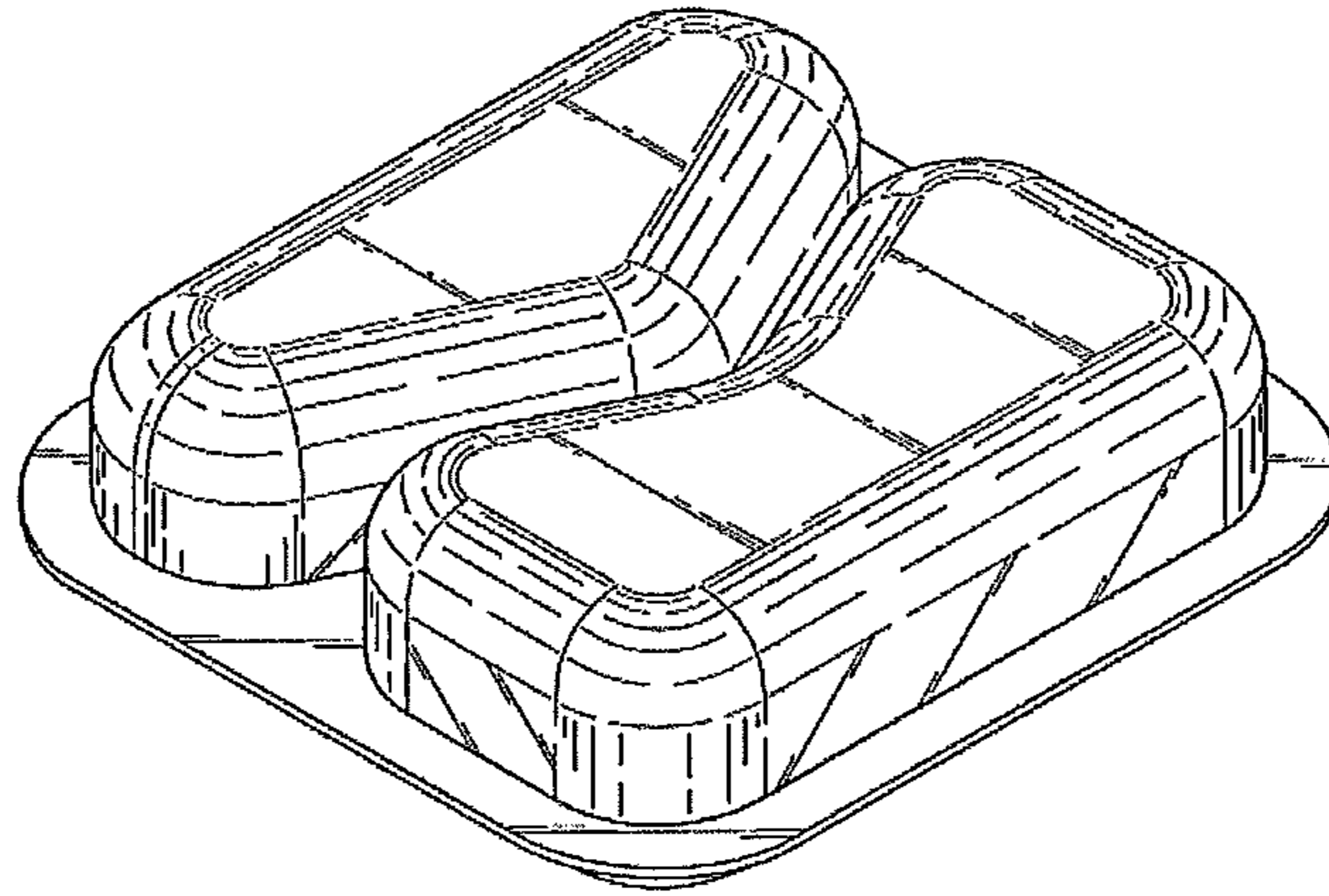


FIG. 1

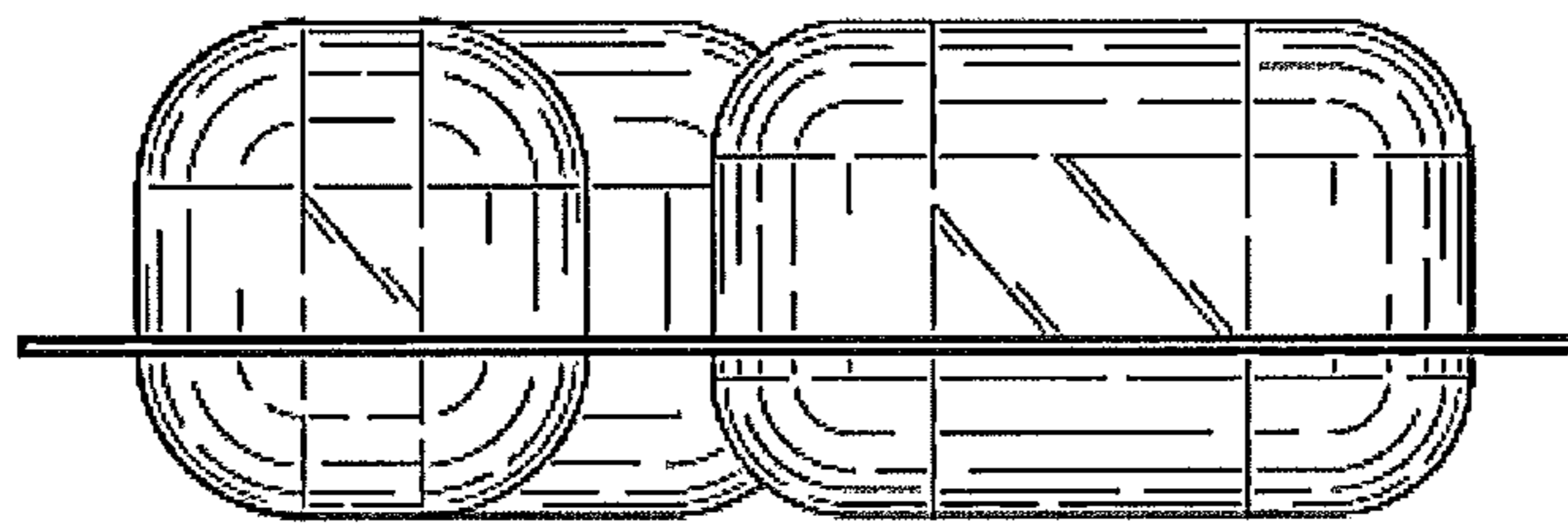


FIG. 2

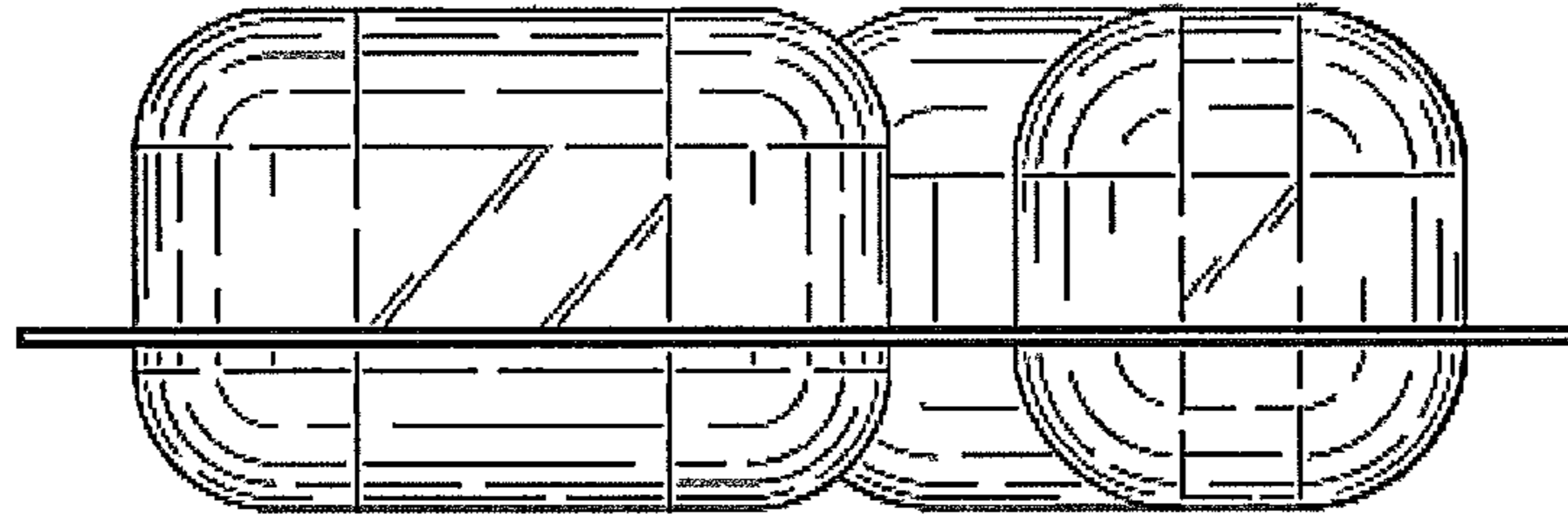


FIG. 3

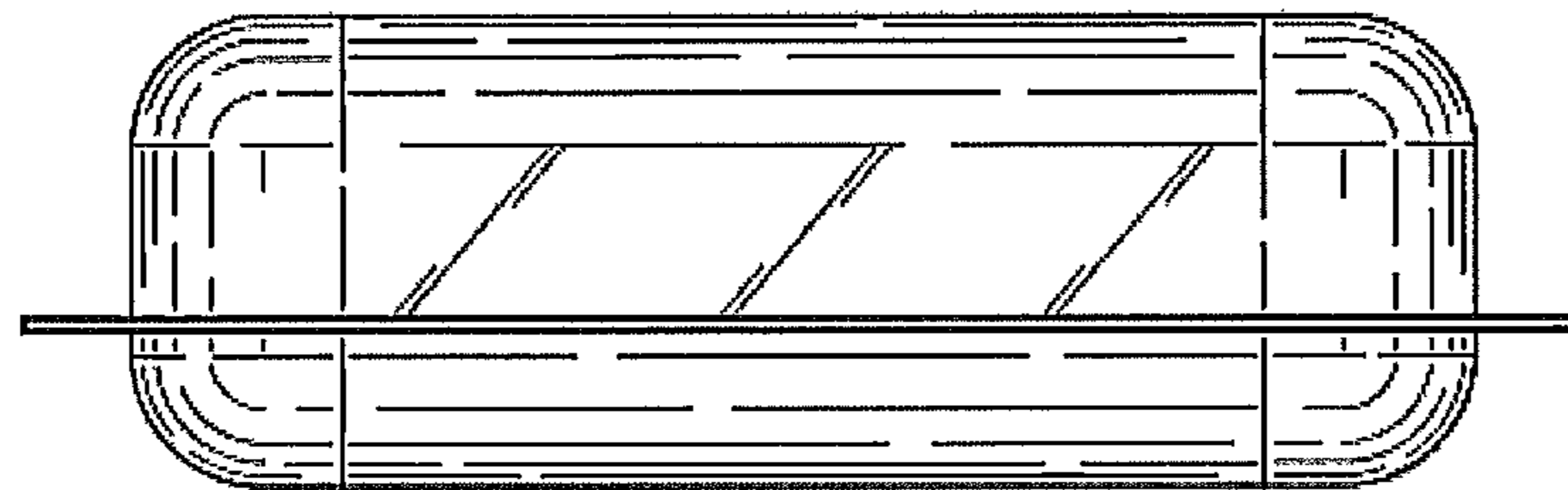


FIG. 4

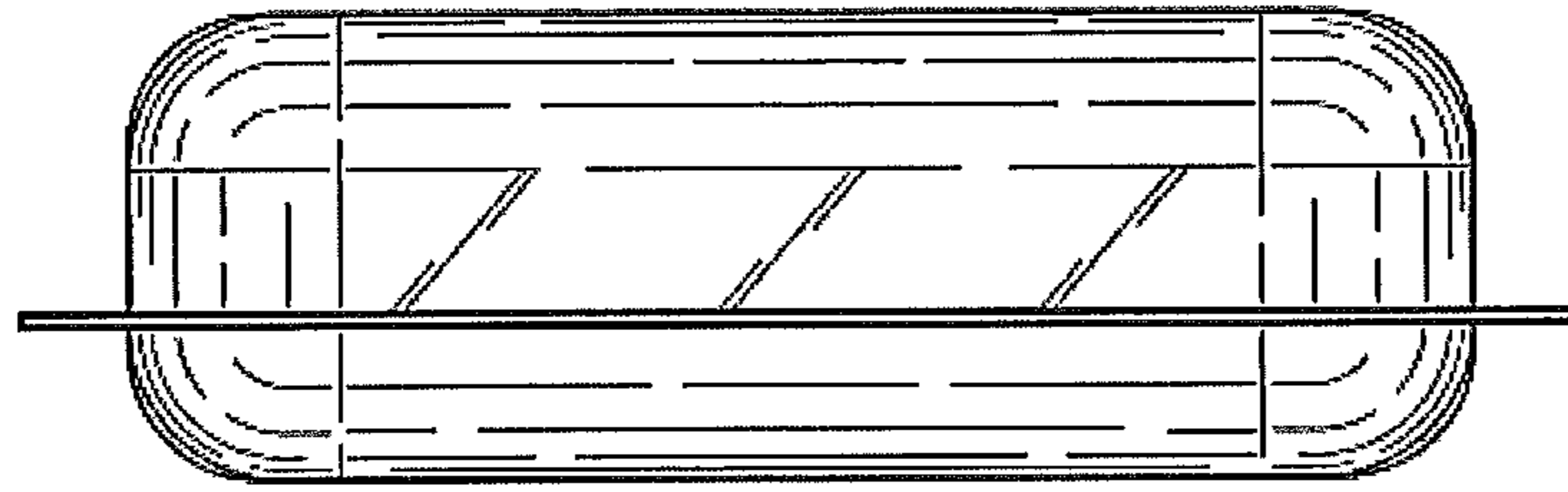


FIG. 5

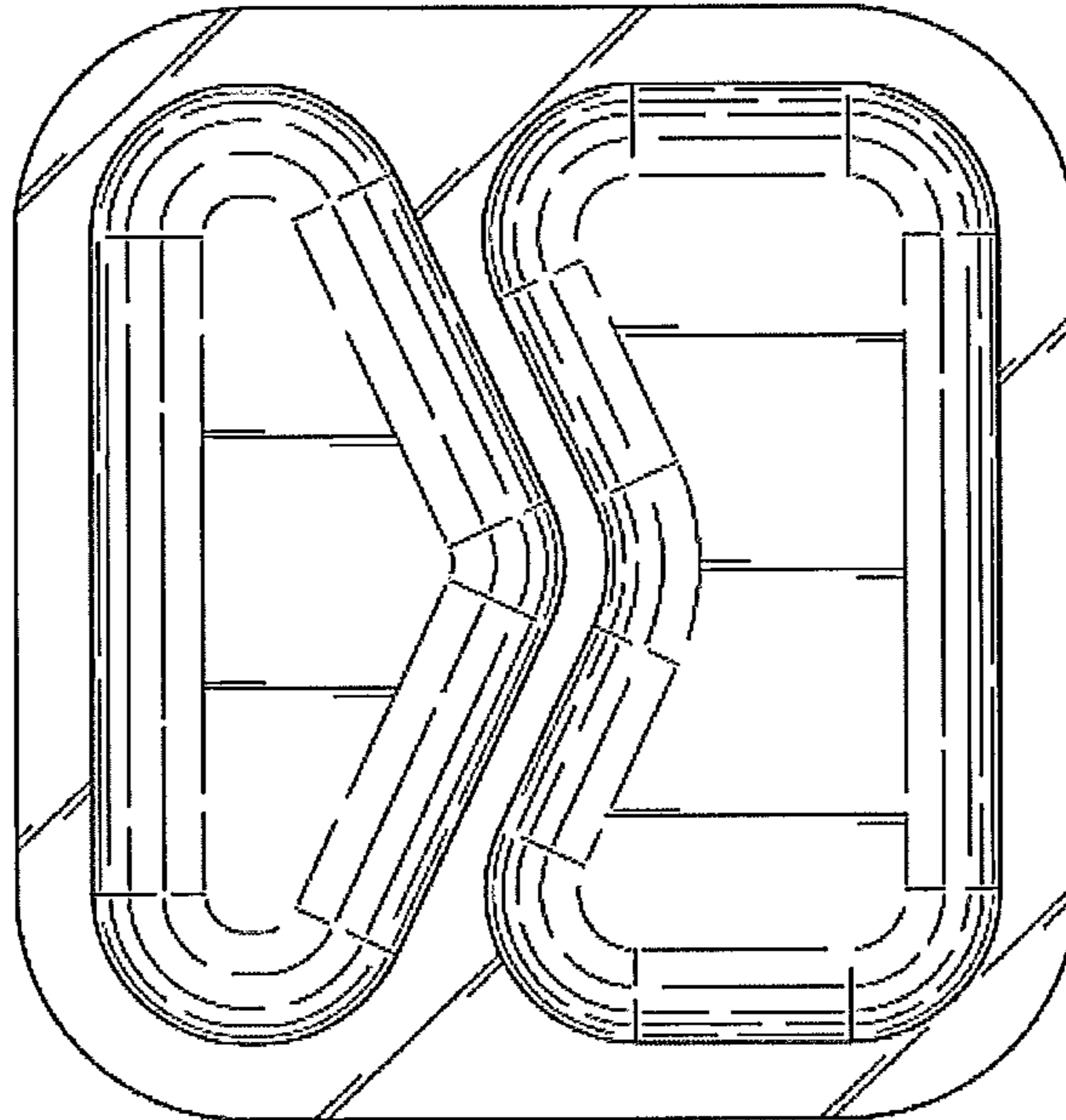


FIG. 6

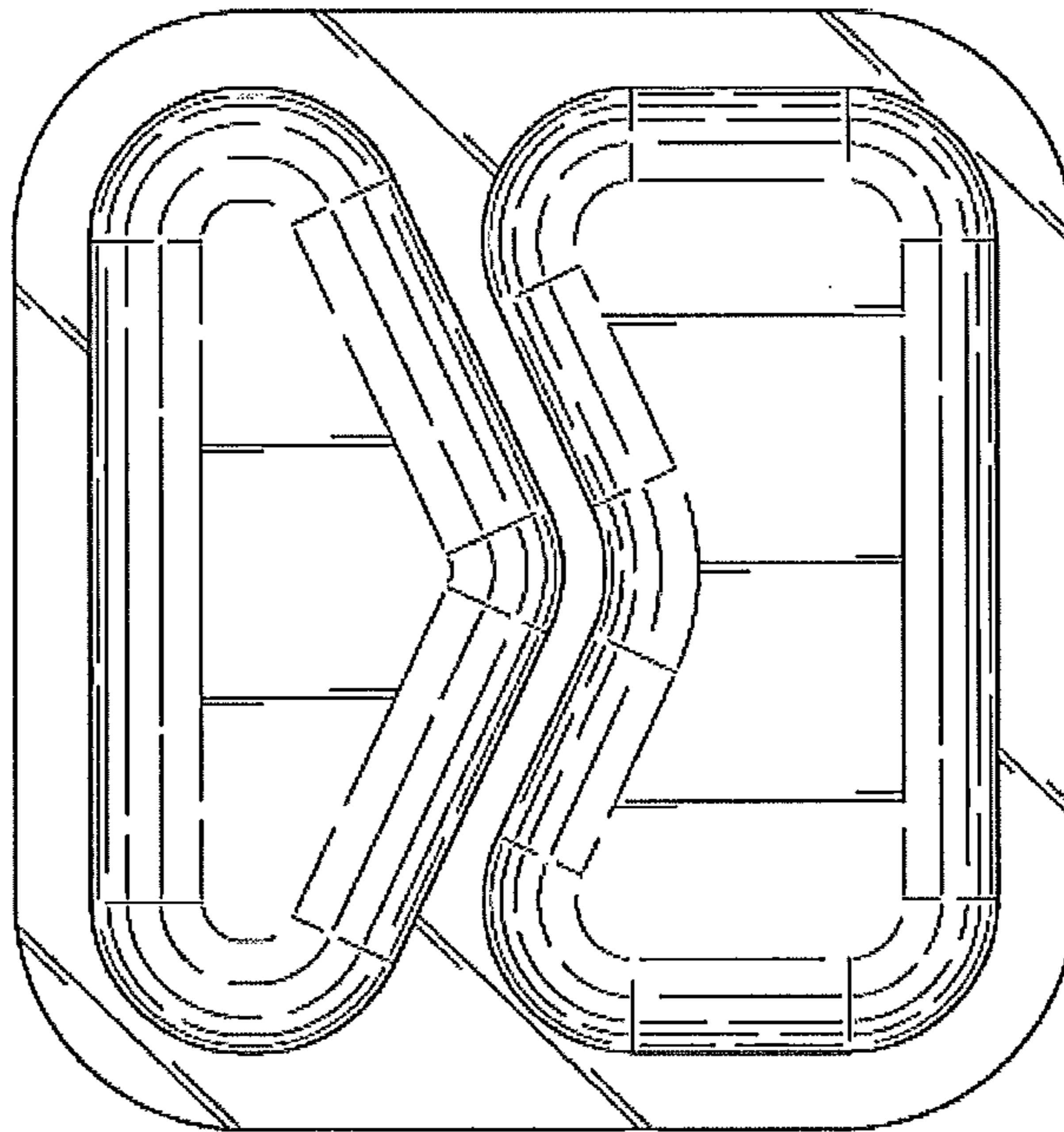


FIG. 7