



US00D689237S

(12) **United States Design Patent**
Ke

(10) **Patent No.:** **US D689,237 S**

(45) **Date of Patent:** **** Sep. 3, 2013**

(54) **DESK LAMP**

(75) Inventor: **Ping Ke**, Guangdong (CN)

(73) Assignee: **Smalux Electrical Mfg. Ltd.**, Shenzhen (CN)

(**) Term: **14 Years**

(21) Appl. No.: **29/416,749**

(22) Filed: **Mar. 27, 2012**

(30) **Foreign Application Priority Data**

Sep. 27, 2011 (CN) 2011 3 0341066

(51) **LOC (9) Cl.** **26-03**

(52) **U.S. Cl.**
USPC **D26/107**

(58) **Field of Classification Search**
USPC D26/24, 61-67, 93, 102, 104-109;
362/509, 516, 523, 186, 217, 255, 257, 277,
362/317, 319, 351, 354, 355, 357, 358, 362,
362/382, 410, 413, 417, 806

See application file for complete search history.

(56) **References Cited**

U.S. PATENT DOCUMENTS

D391,665 S *	3/1998	Yang	D26/108
D629,956 S *	12/2010	Newhouse	D26/93
D650,512 S *	12/2011	Hine et al.	D26/93
D673,716 S *	1/2013	Huang	D26/93

* cited by examiner

Primary Examiner — Brian N Vinson

(74) *Attorney, Agent, or Firm* — Dovas Law, P.C.

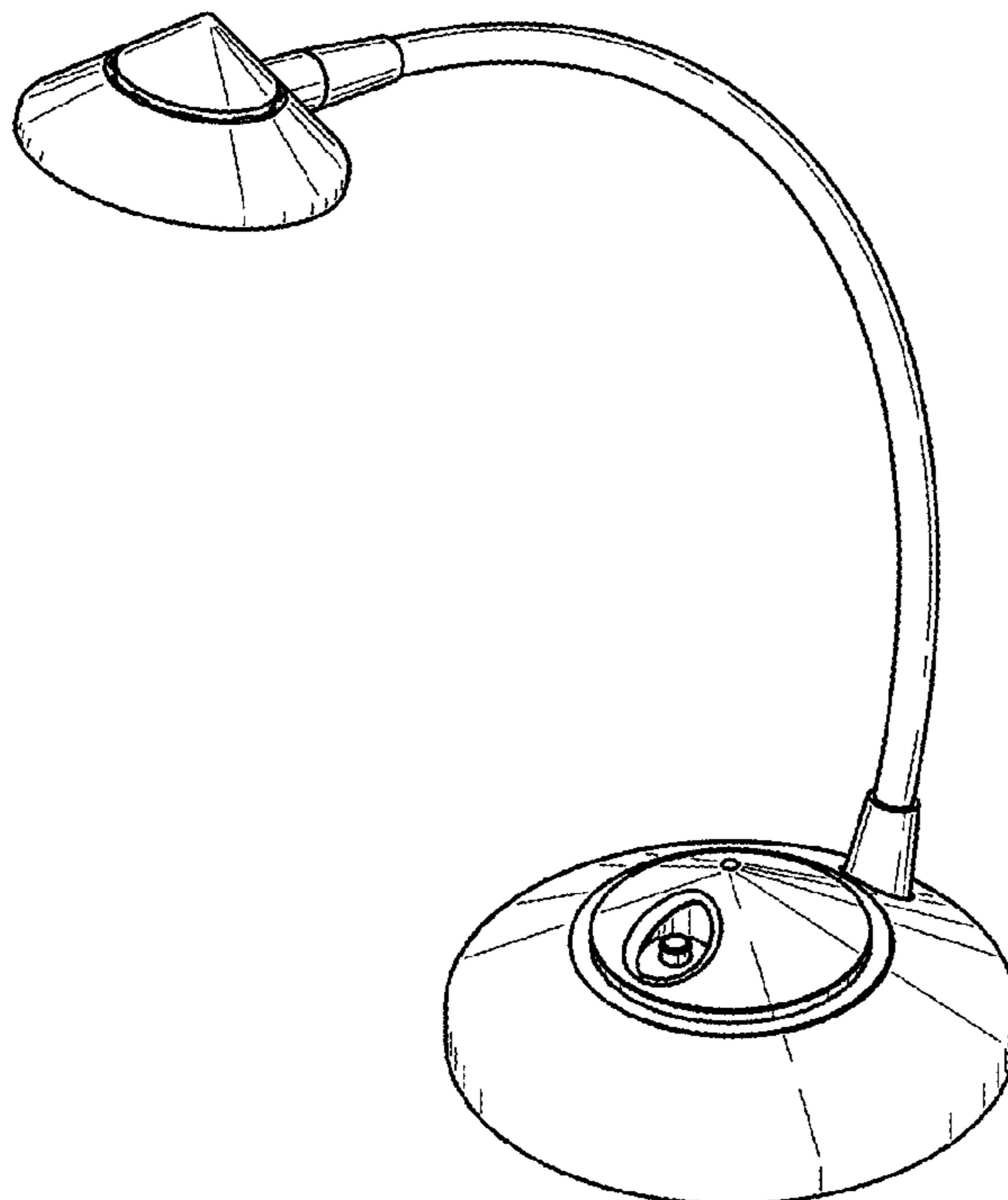
(57) **CLAIM**

The ornamental design for a desk lamp, as shown and described.

DESCRIPTION

FIG. 1 is a front elevational view of a desk lamp showing my new design;
FIG. 2 is a left side elevational view of the desk lamp of FIG. 1;
FIG. 3 is a right side elevational view of the desk lamp of FIG. 1;
FIG. 4 is a top plan view of the desk lamp of FIG. 1;
FIG. 5 is a bottom plan view of the desk lamp of FIG. 1; and,
FIG. 6 is a perspective view of the desk lamp of FIG. 1.
In the design, the rear elevational view is the mirror of the front elevational view, and accordingly, an additional figure for the rear elevational view is not included.

1 Claim, 6 Drawing Sheets



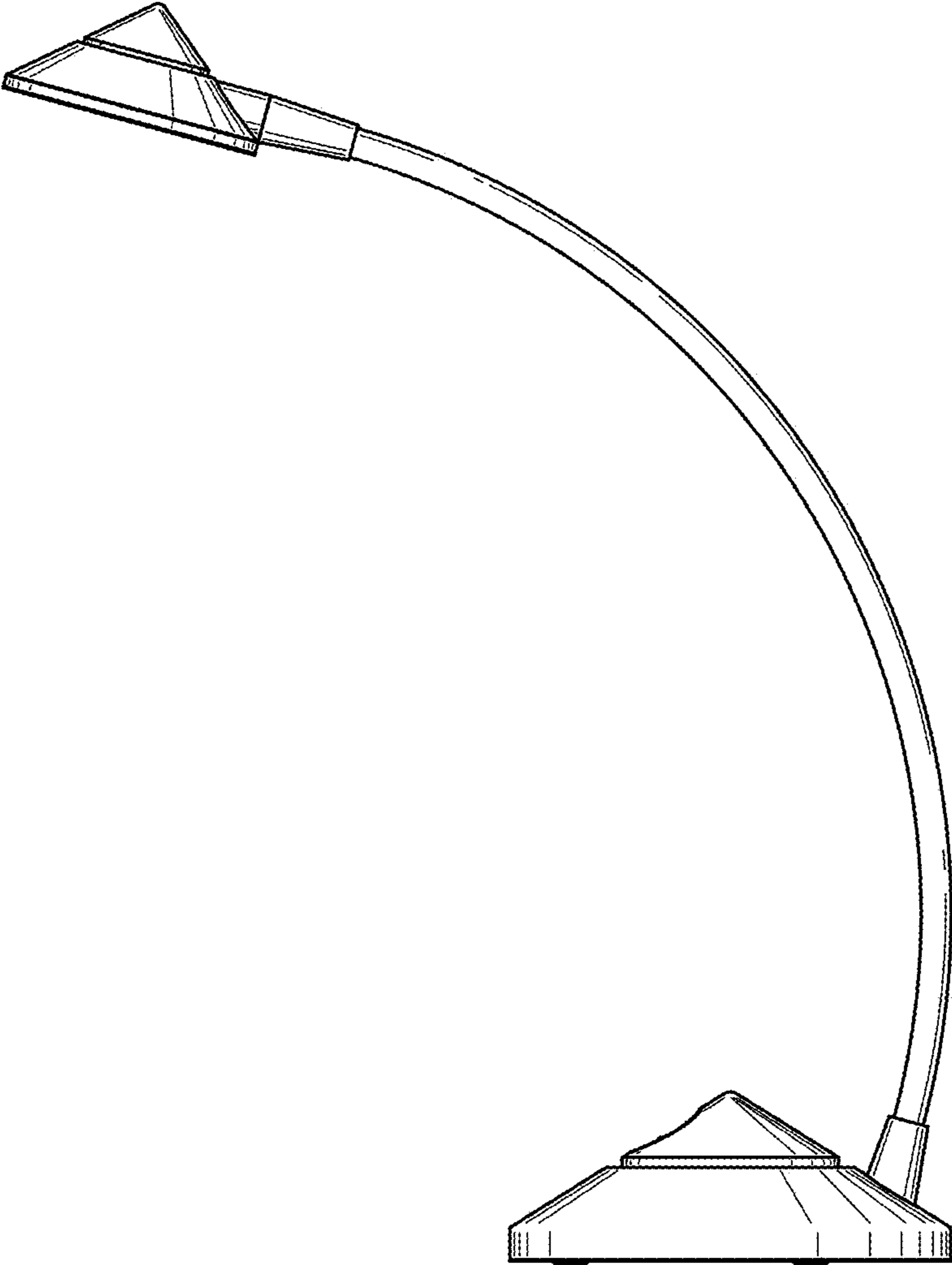


FIG. 1

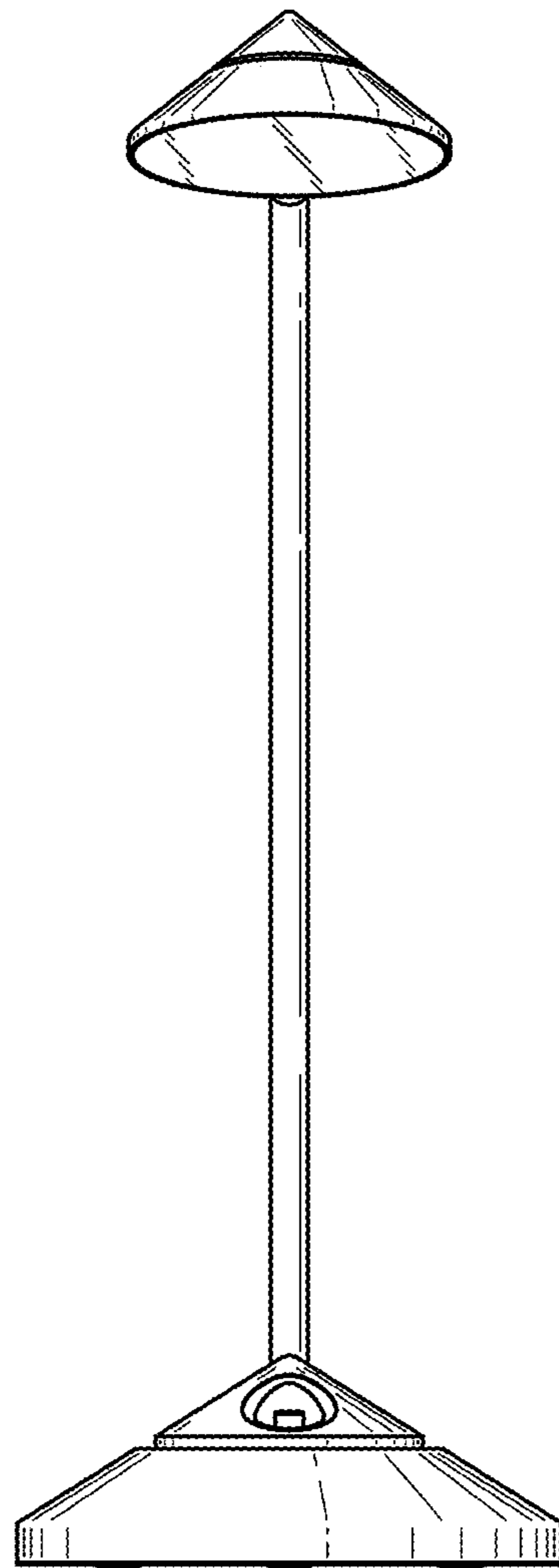


FIG. 2

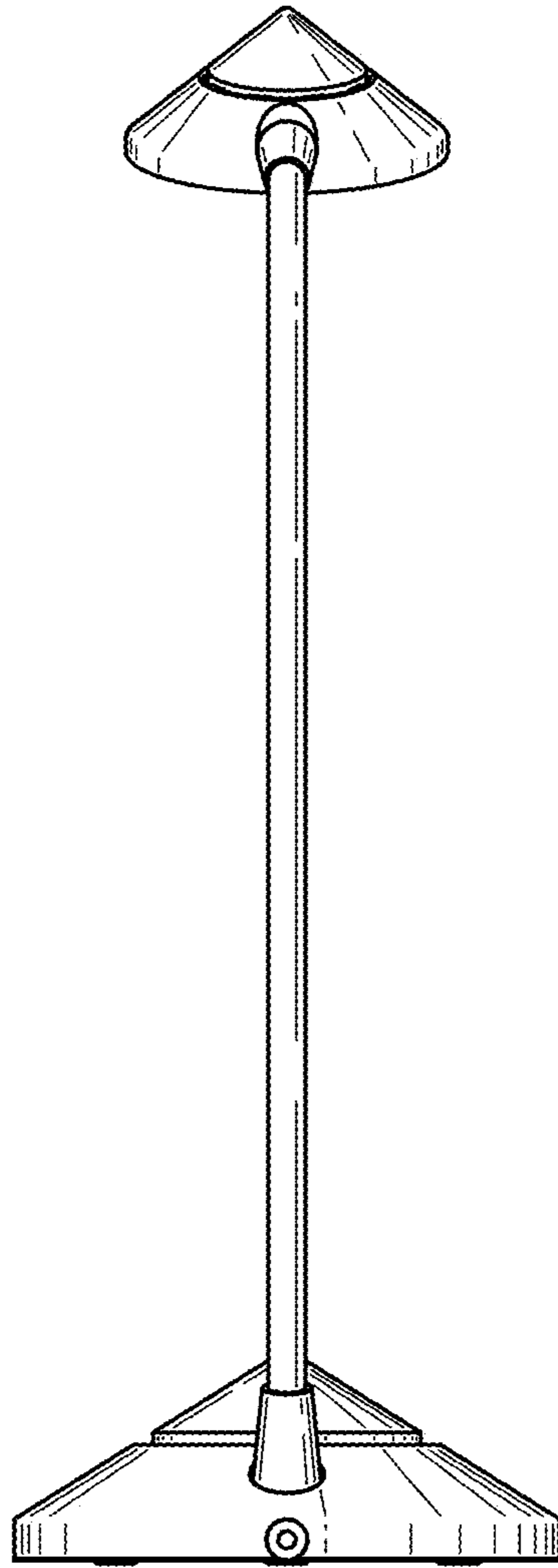


FIG. 3

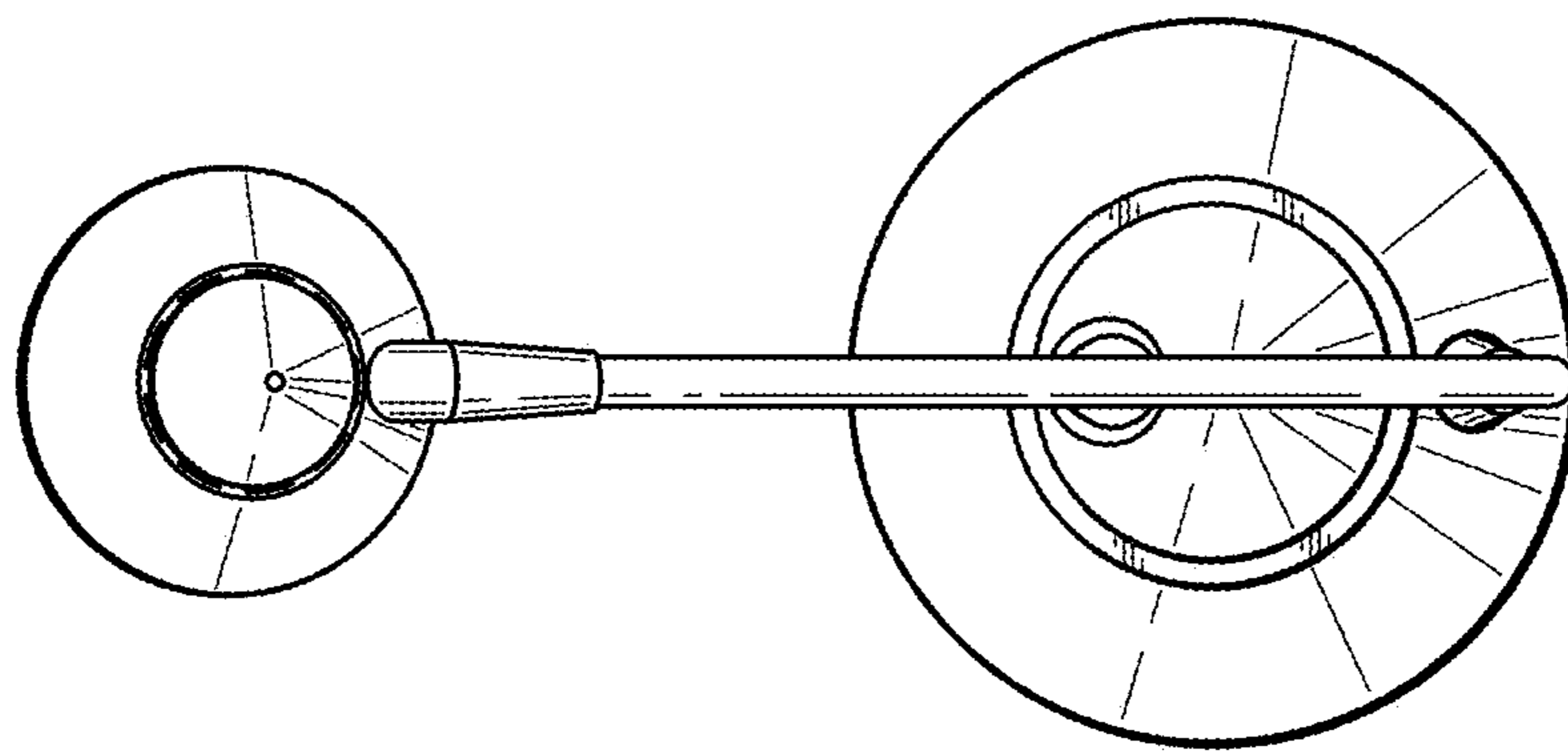


FIG. 4

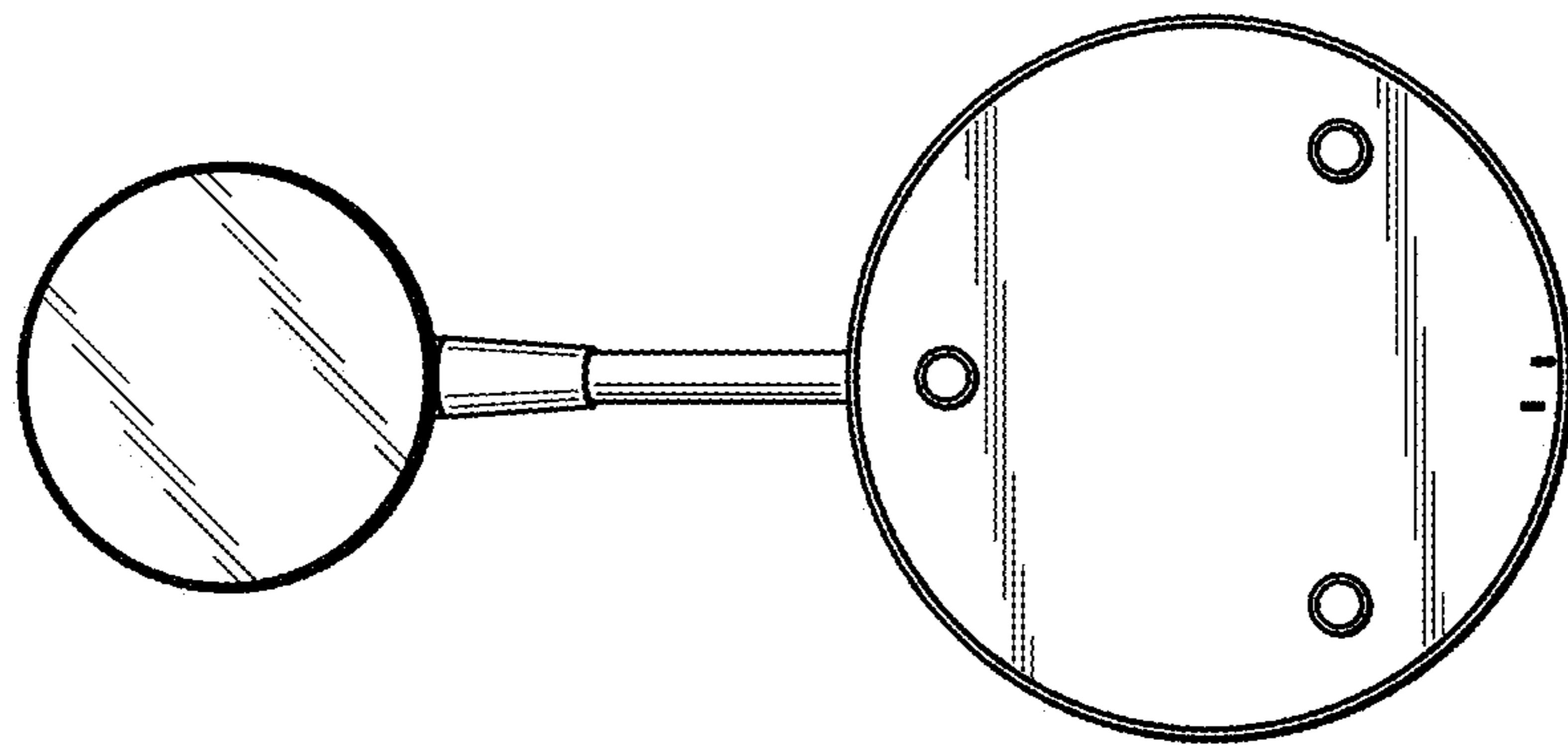


FIG. 5

FIG. 6

