



US00D689236S

(12) **United States Design Patent**
Wang

(10) **Patent No.:** **US D689,236 S**

(45) **Date of Patent:** **** Sep. 3, 2013**

(54) **CEILING FAN LIGHT KIT**

(75) Inventor: **Cliff Wang**, Taichung (TW)

(73) Assignee: **Air Cool Industrial Co., Ltd.**, Taichung (TW)

(**) Term: **14 Years**

(21) Appl. No.: **29/428,602**

(22) Filed: **Aug. 1, 2012**

(51) **LOC (9) Cl.** **26-03**

(52) **U.S. Cl.**
USPC **D26/89; D26/59**

(58) **Field of Classification Search**
USPC D26/1, 24, 59, 72, 74, 80, 83, 85,
D26/86, 89, 91, 118, 120, 124, 128, 131,
D26/135; 362/101, 133, 147, 267, 453-456,
362/507

See application file for complete search history.

(56) **References Cited**

U.S. PATENT DOCUMENTS

D57,563 S *	4/1921	Adam	D26/89
D60,311 S *	2/1922	Blackwell	D26/89
D119,789 S *	4/1940	MacFadden	D26/88
2,271,836 A *	2/1942	Francis	362/344
D419,660 S *	1/2000	Zuege	D23/377

D428,129 S *	7/2000	Huang	D23/377
D524,473 S *	7/2006	Burns	D26/59
D525,696 S *	7/2006	Ertze	D23/377
D534,680 S *	1/2007	Miranda	D26/135
D544,623 S *	6/2007	Pickett	D26/59
D548,383 S *	8/2007	Lee	D26/59
D548,874 S *	8/2007	Curtin	D26/89
D549,866 S *	8/2007	Pan	D26/89
D567,429 S *	4/2008	Pickett	D26/89
D617,485 S *	6/2010	Hamilton et al.	D26/67

* cited by examiner

Primary Examiner — Clare E Heflin

(74) *Attorney, Agent, or Firm* — Ming Chow; Sinorica, LLC

(57) **CLAIM**

I claim the ornamental design for a ceiling fan light kit, as shown and described.

DESCRIPTION

FIG. 1 is a front perspective view of a ceiling fan light kit showing my new design;

FIG. 2 is a front elevational view thereof;

FIG. 3 is a rear elevational view thereof.

FIG. 4 is a left side elevational view thereof;

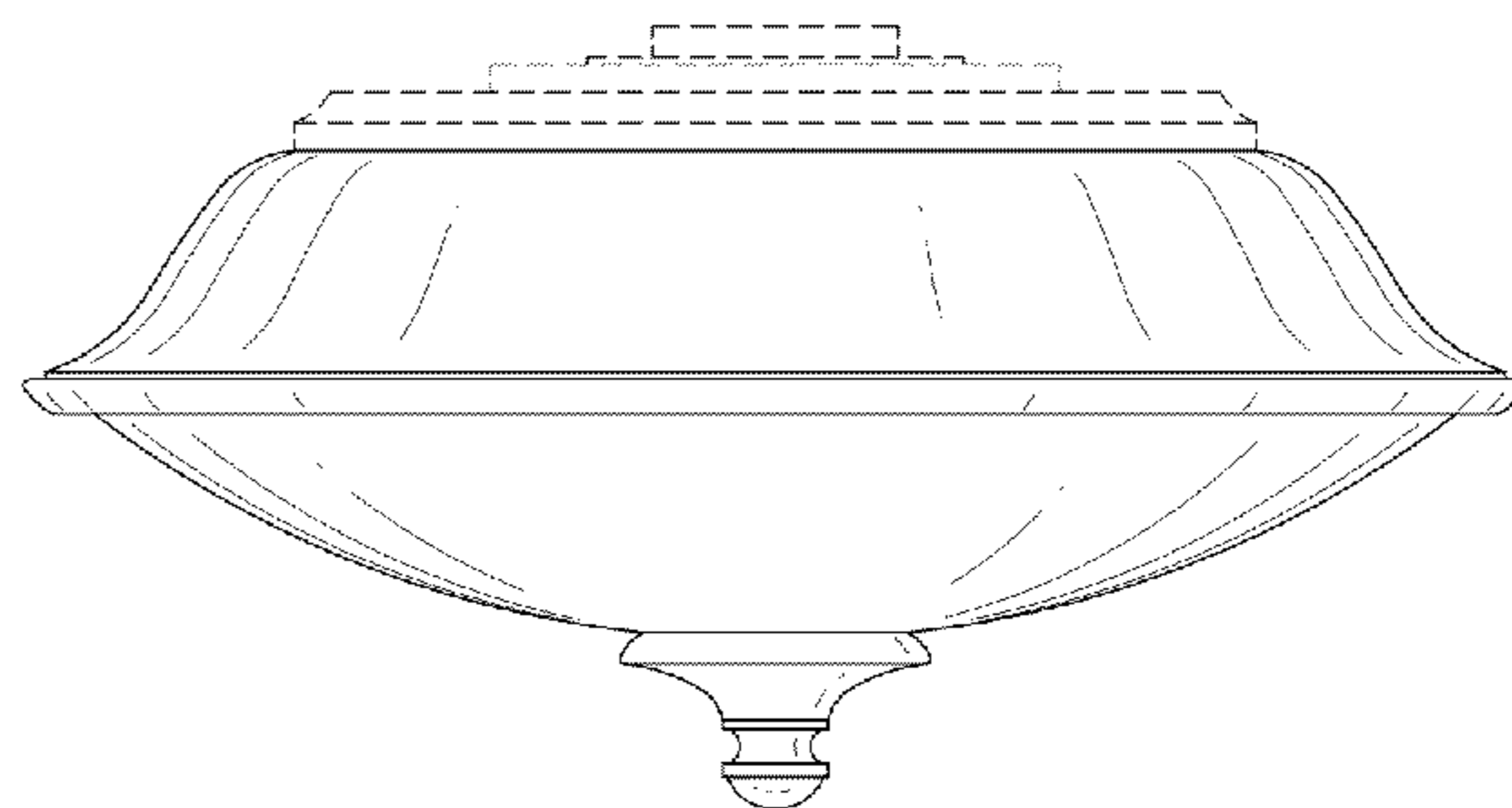
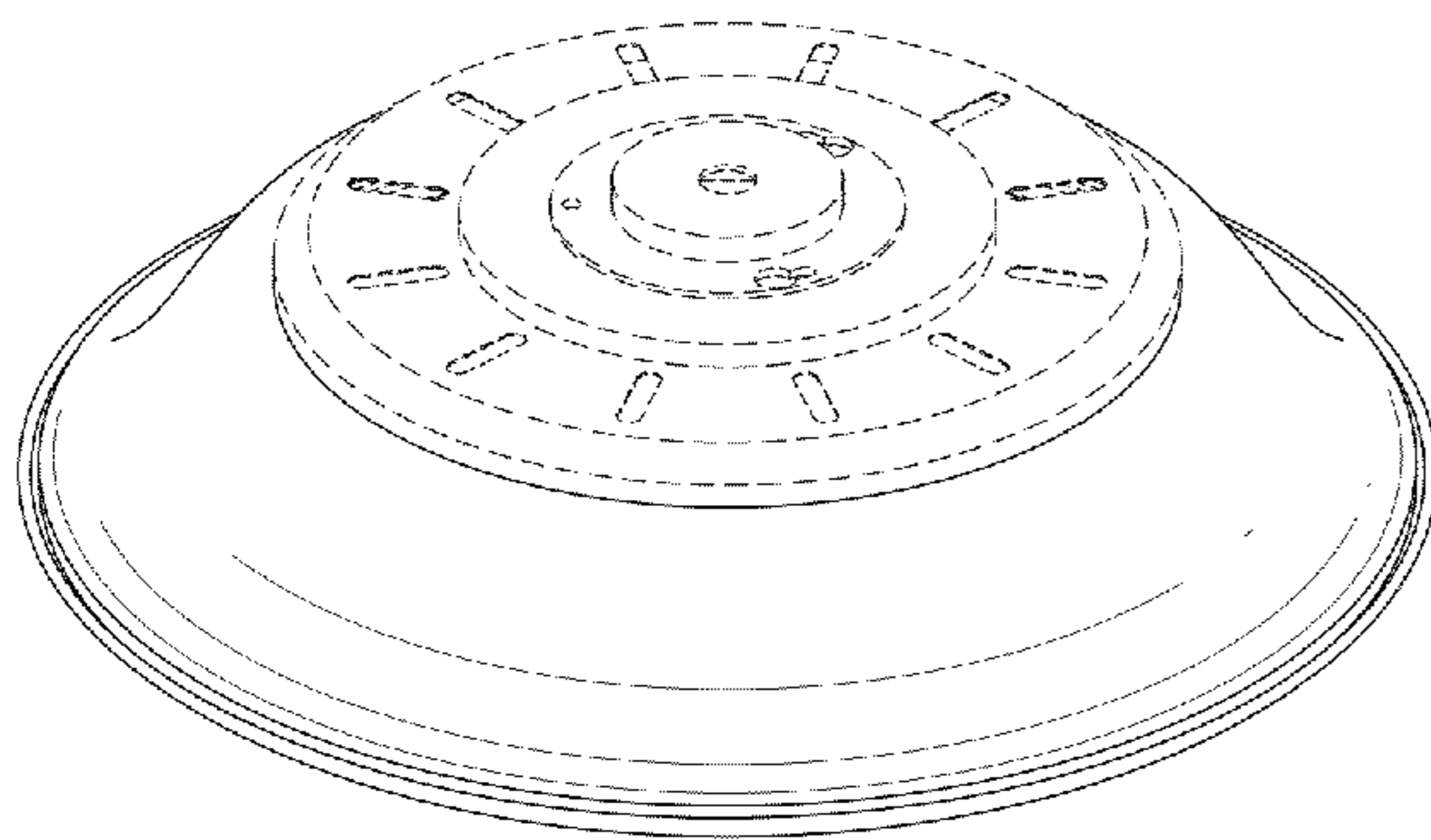
FIG. 5 is a right side elevational view thereof;

FIG. 6 is a top plan view thereof; and,

FIG. 7 is a bottom plan view thereof.

The broken lines shown on the drawings depict portions of the ceiling fan light kit that form no part of the claimed design.

1 Claim, 5 Drawing Sheets



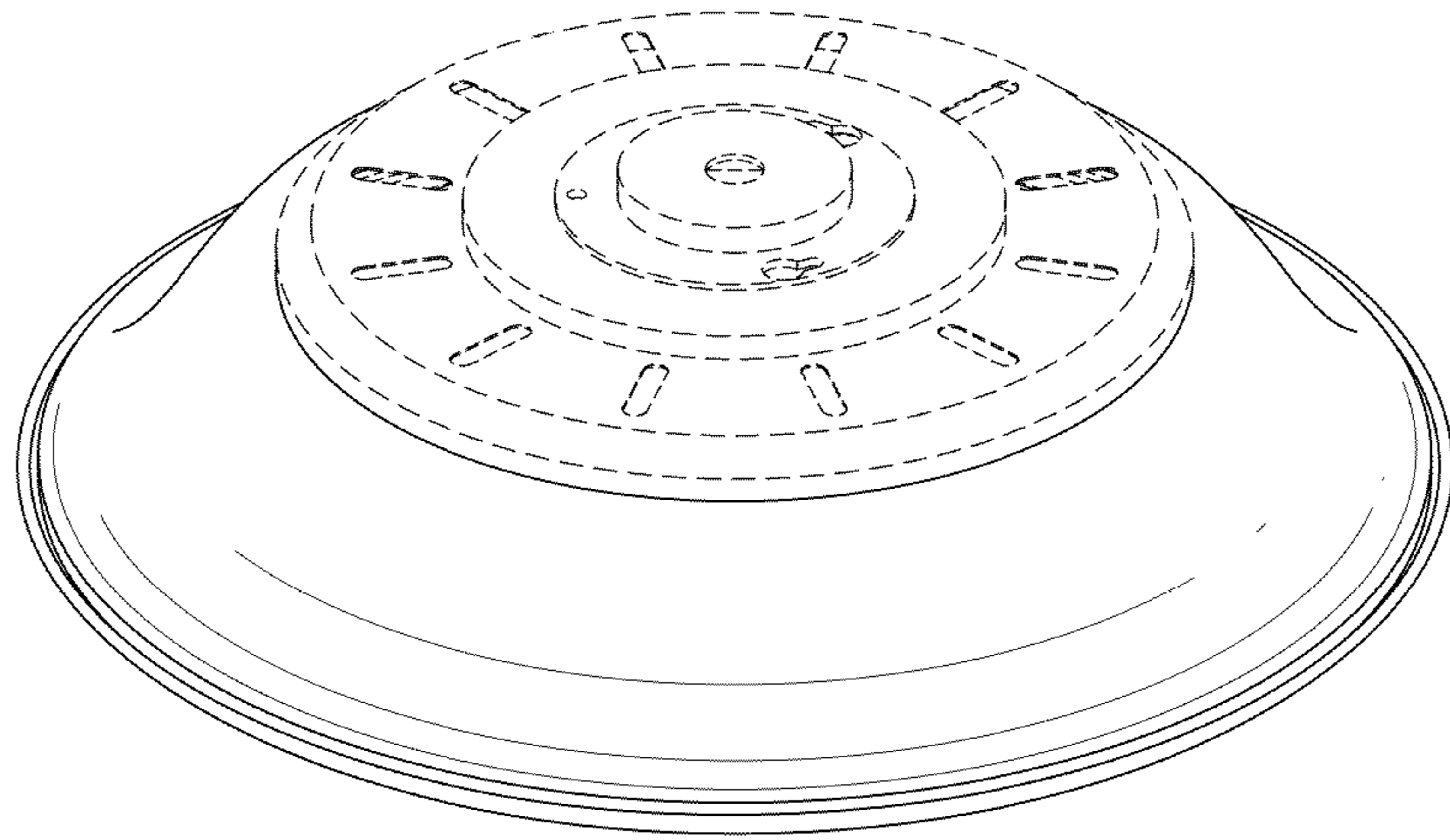


FIG. 1

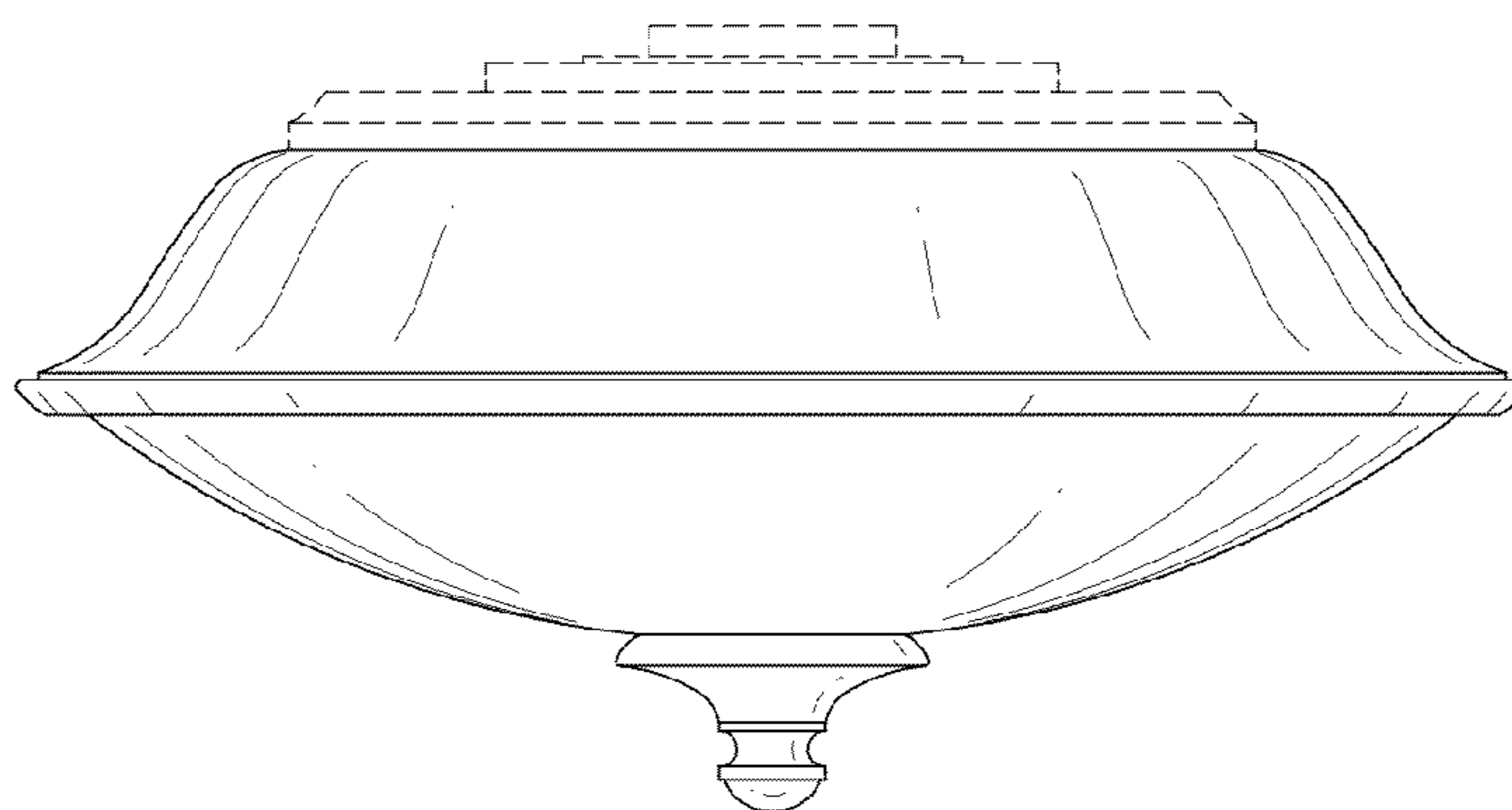


FIG. 2

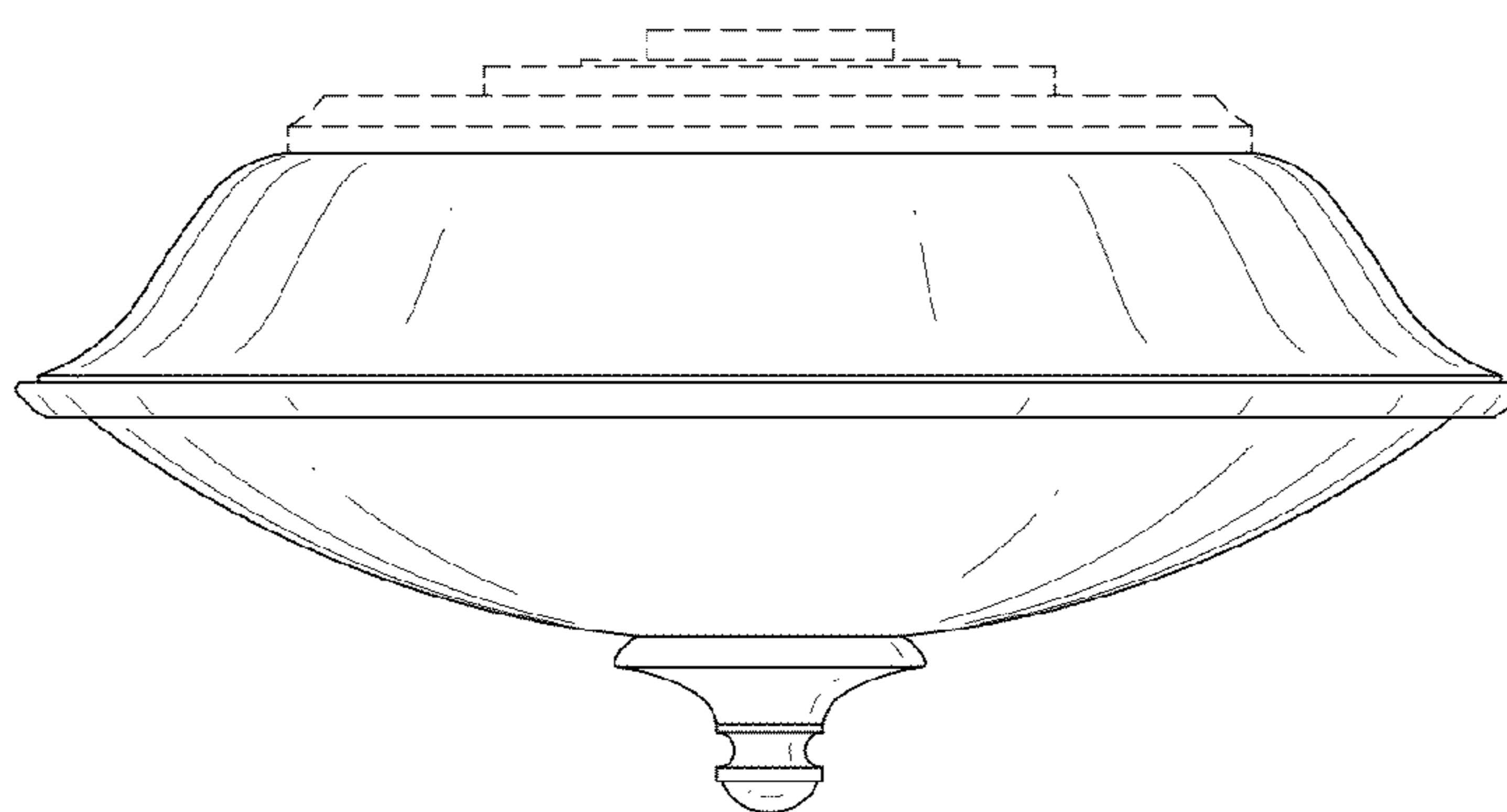


FIG. 3

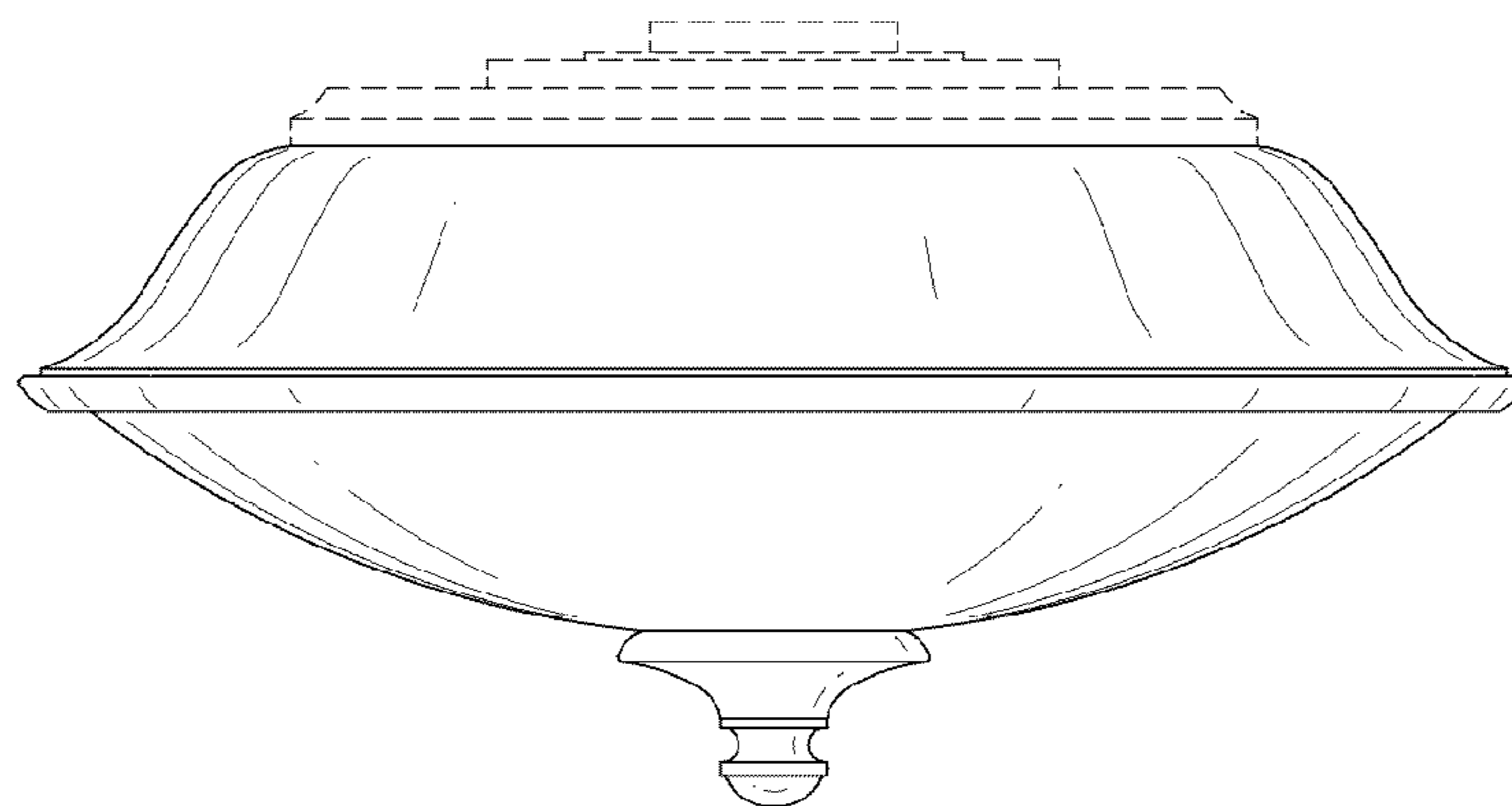


FIG. 4

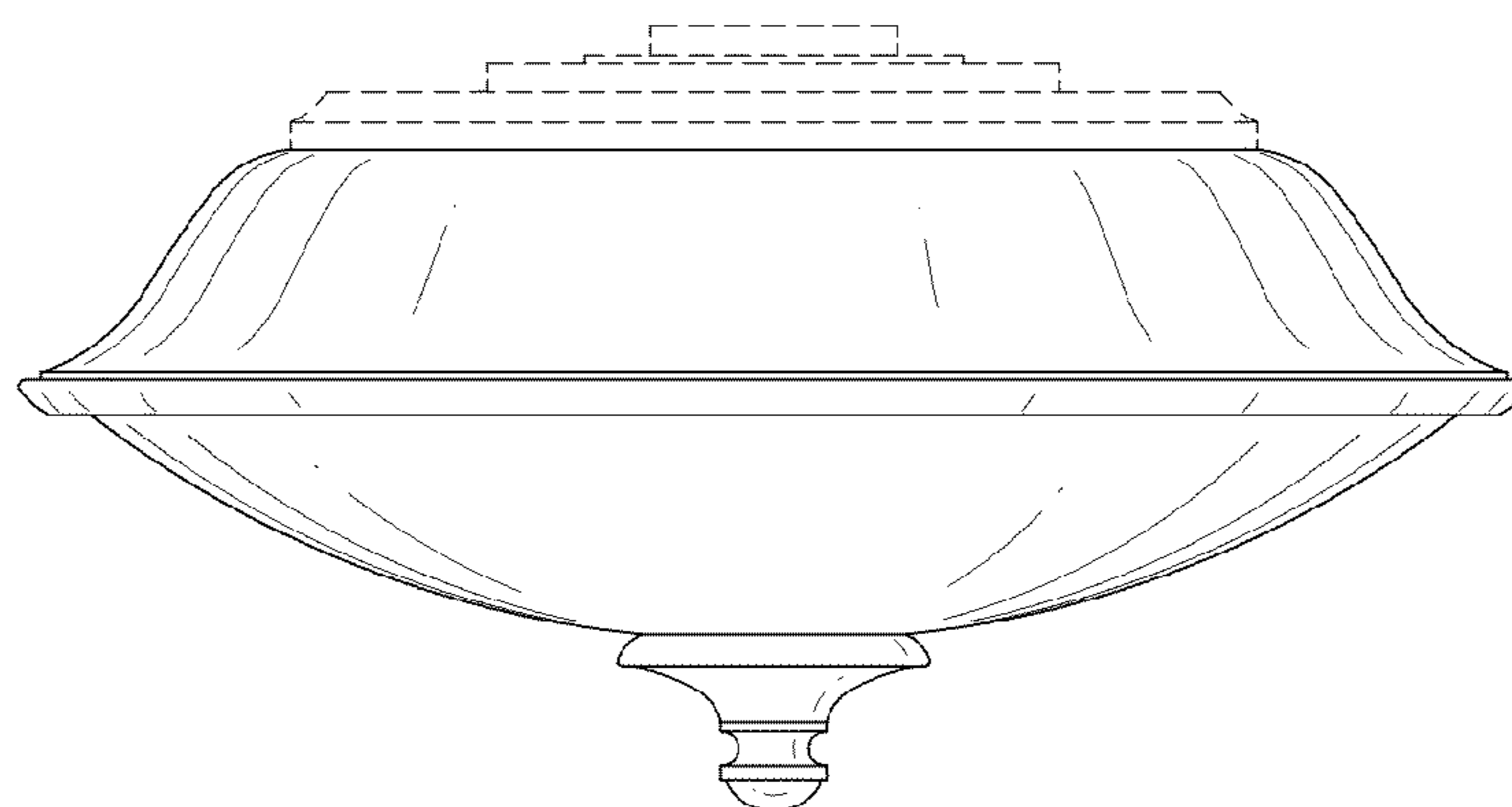


FIG. 5

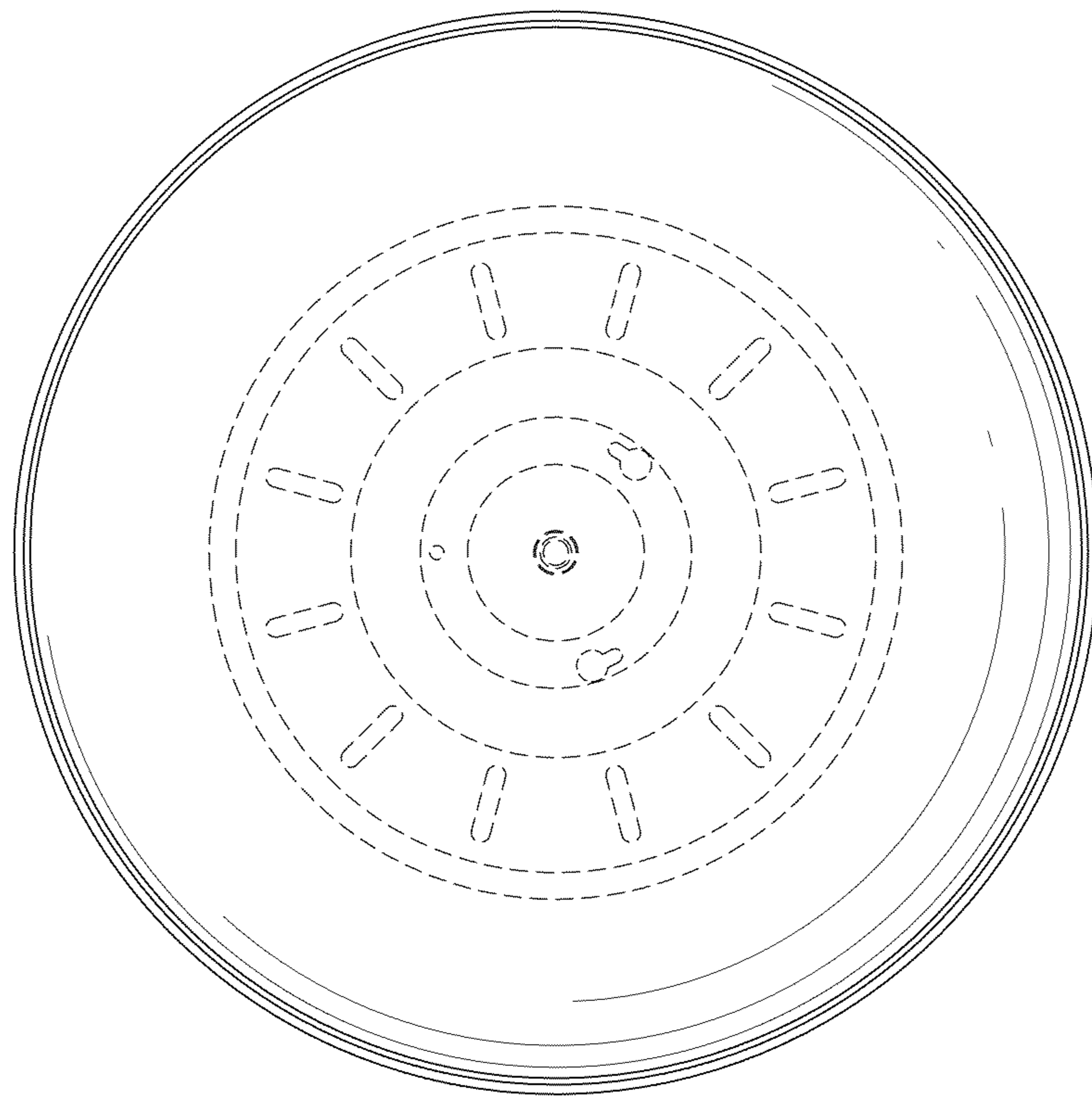


FIG. 6

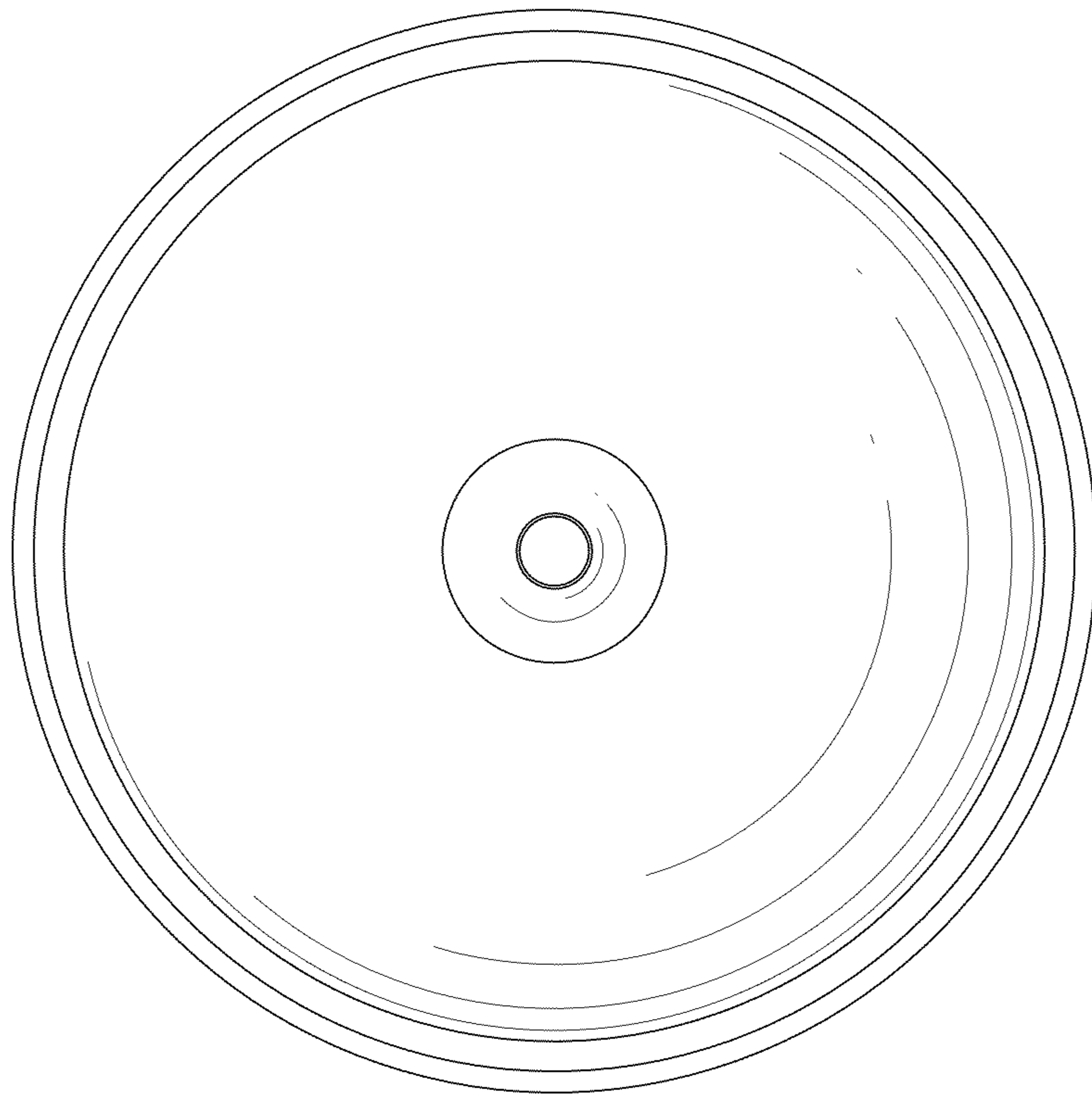


FIG. 7