

US00D689235S

(12) **United States Design Patent**
Fang

(10) **Patent No.:** **US D689,235 S**

(45) **Date of Patent:** **** Sep. 3, 2013**

(54) **LIGHTING APPARATUS**

(75) Inventor: **Yi Fang, Yuyao (CN)**

(73) Assignee: **Ningbo UTEC Electric Co. Ltd. (CN)**

(**) Term: **14 Years**

(21) Appl. No.: **29/418,484**

(22) Filed: **Apr. 17, 2012**

(51) **LOC (9) Cl.** **26-05**

(52) **U.S. Cl.**
USPC **D26/74**

(58) **Field of Classification Search**
USPC D26/74, 72, 75, 76, 77, 78, 79, 113,
D26/118, 120, 122, 138, 141; 362/482, 145,
362/147, 148, 150, 151, 152, 153, 153.1,
362/218, 217.02, 217.03, 217.05, 217.07,
362/217.08, 217.09, 217.1, 217.11, 217.14,
362/217.15, 342, 346, 347, 364, 365, 366,
362/800, 260, 279, 280, 290, 291, 292, 294,
362/296.01, 297, 298, 299, 300, 301, 310,
362/296.07, 311.02, 311.01, 311.09

See application file for complete search history.

(56) **References Cited**

U.S. PATENT DOCUMENTS

D201,544 S * 7/1965 Brooks D25/56
D377,535 S * 1/1997 Shulman D26/26

D483,147 S * 12/2003 Farmer D26/118
D548,372 S * 8/2007 Osiecki et al. D26/24
D564,694 S * 3/2008 Southern, Jr. D26/85
D578,242 S * 10/2008 Couillard et al. D26/85
D581,579 S * 11/2008 Ottobre D26/118
D646,829 S * 10/2011 Pan D26/74
D646,830 S * 10/2011 Pan D26/74
D646,831 S * 10/2011 Pan D26/74
D663,469 S * 7/2012 Lee et al. D26/74

* cited by examiner

Primary Examiner — Angela J Lee

(74) *Attorney, Agent, or Firm* — Raymond Sun

(57) **CLAIM**

The ornamental design for a lighting apparatus, as shown and described.

DESCRIPTION

FIG. 1 is a perspective view of a lighting apparatus showing my new design.

FIG. 2 is a top plan view thereof;

FIG. 3 is a bottom plan view thereof;

FIG. 4 is a front elevational view thereof;

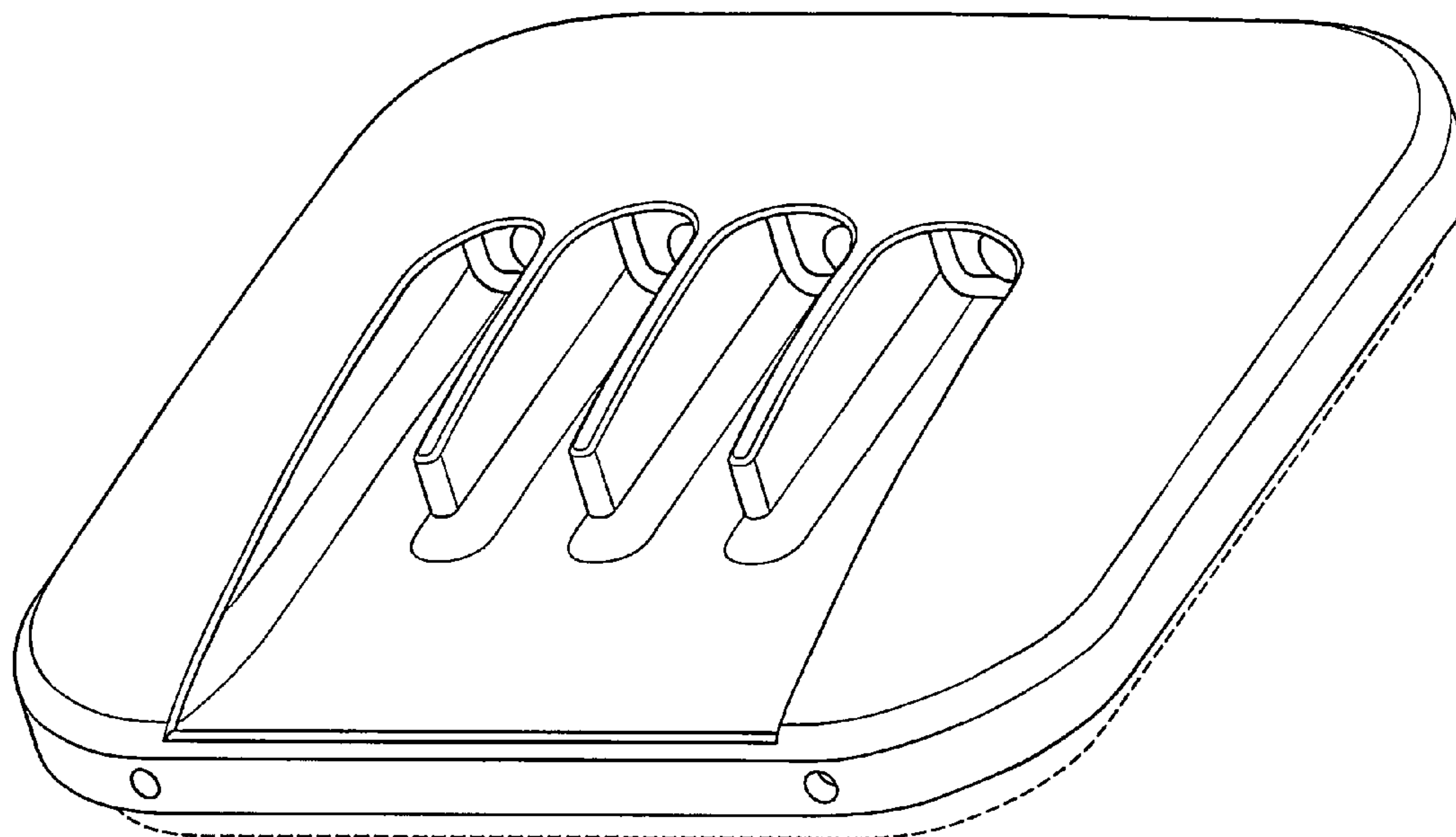
FIG. 5 is a rear elevational view thereof;

FIG. 6 is a left side elevational view thereof; and,

FIG. 7 is a right side elevational view of the lighting apparatus.

The features shown in broken lines in the figures do not represent claimed subject matter.

1 Claim, 7 Drawing Sheets



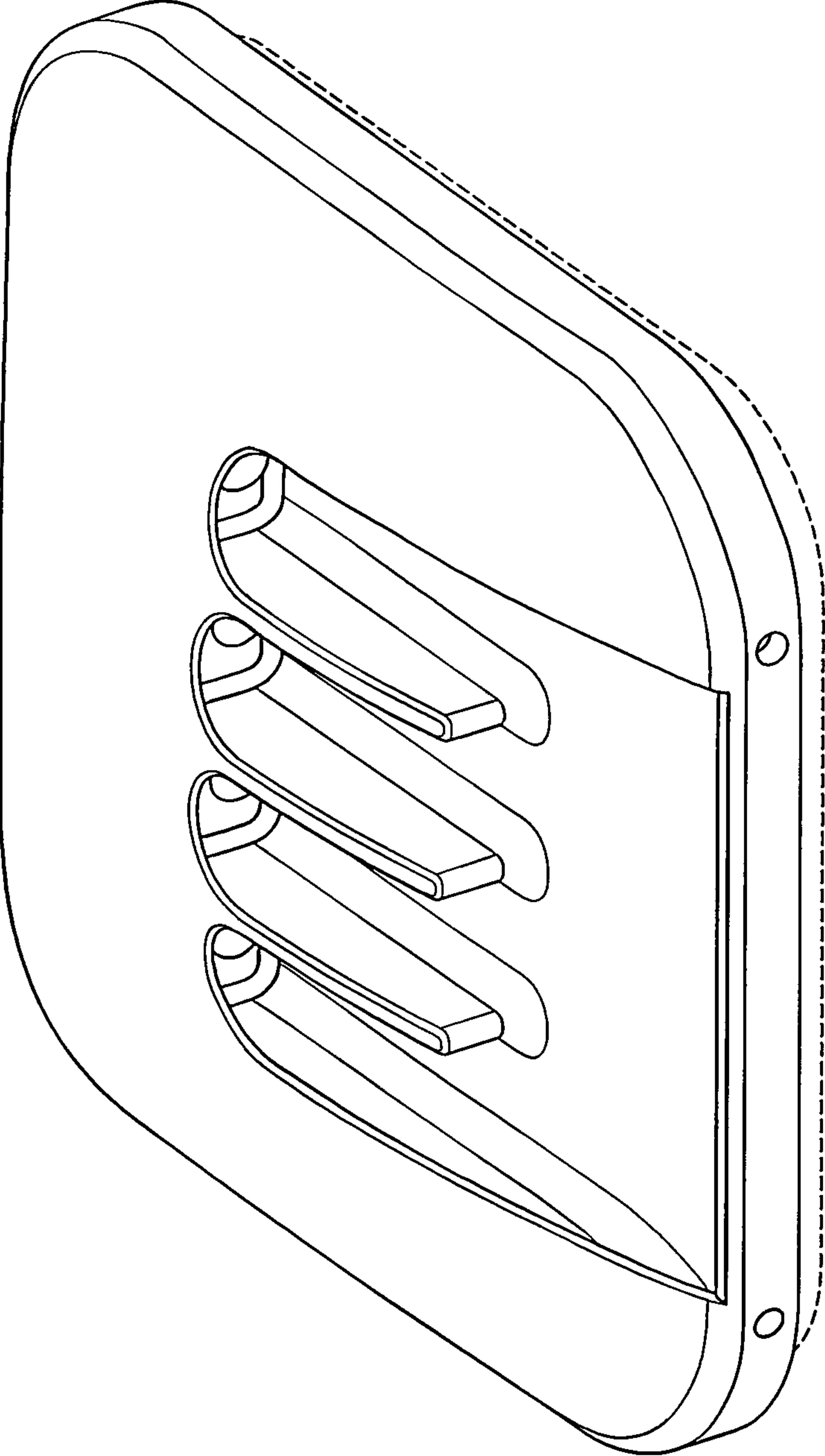


FIG. 1

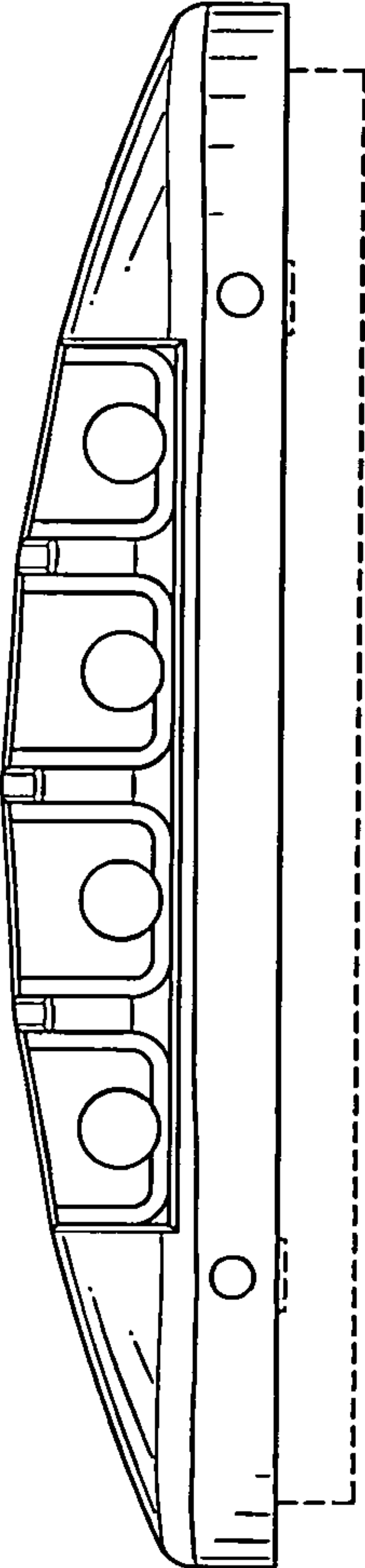


FIG. 2

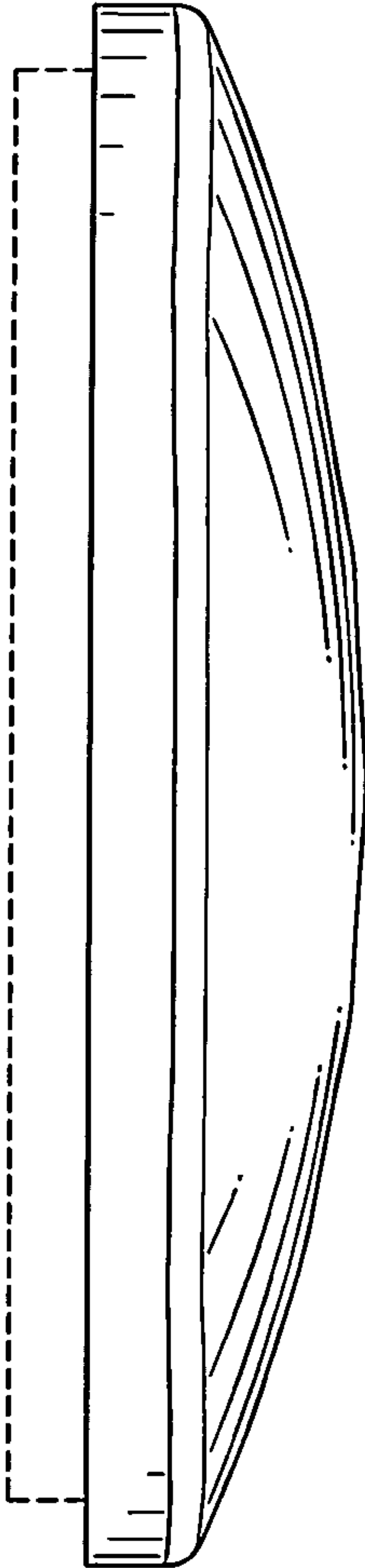


FIG. 3

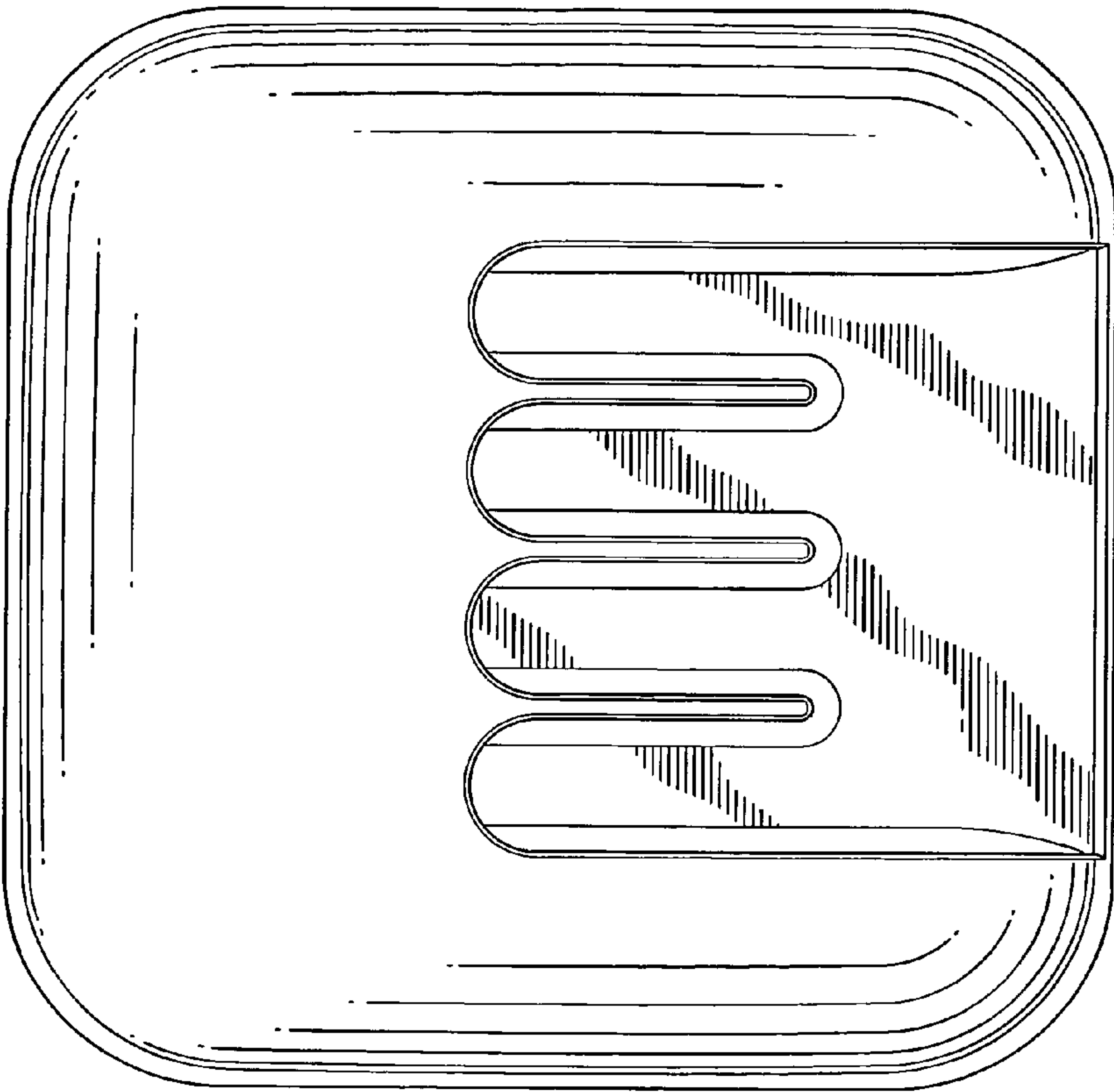


FIG.4

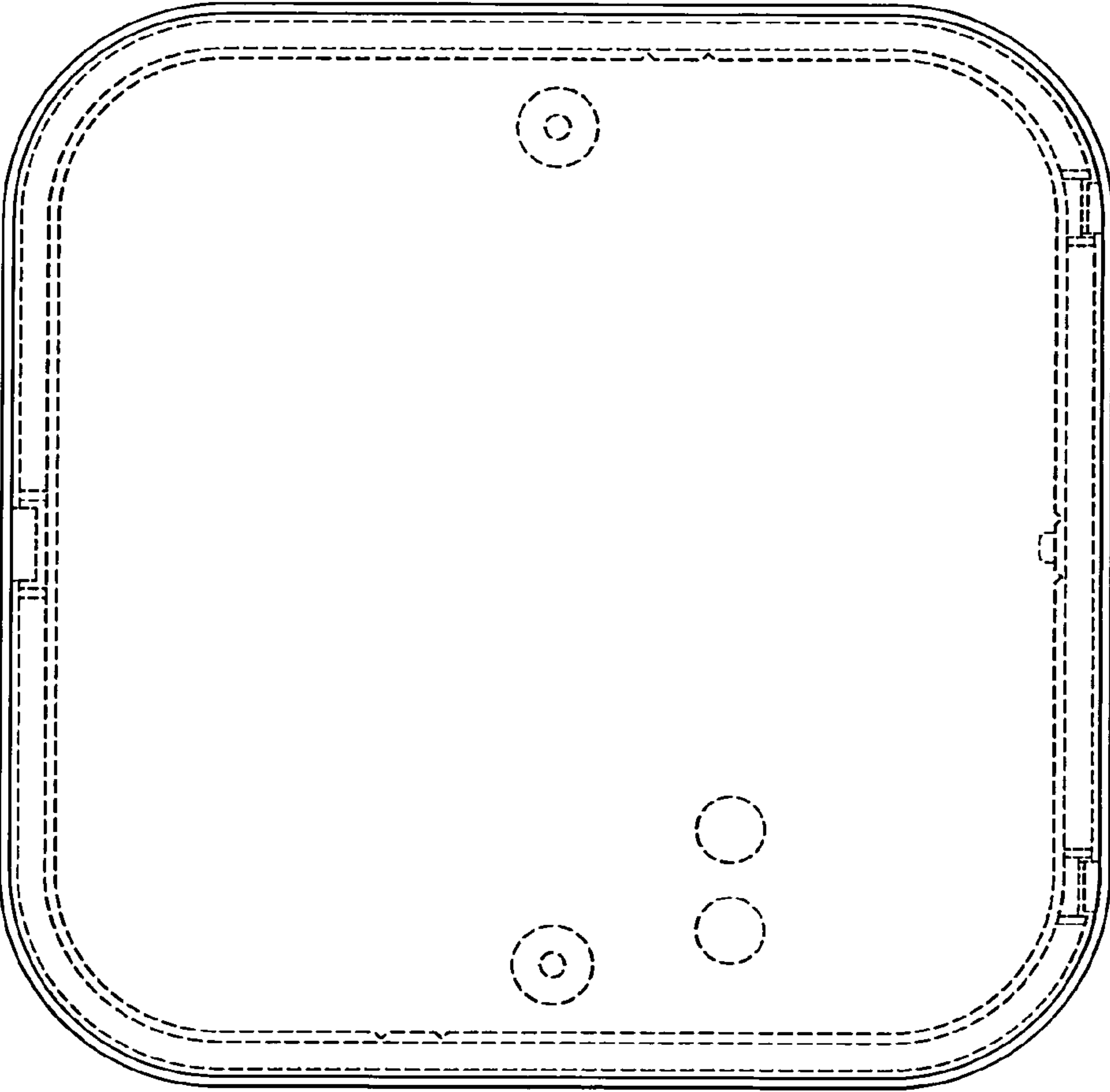


FIG.5

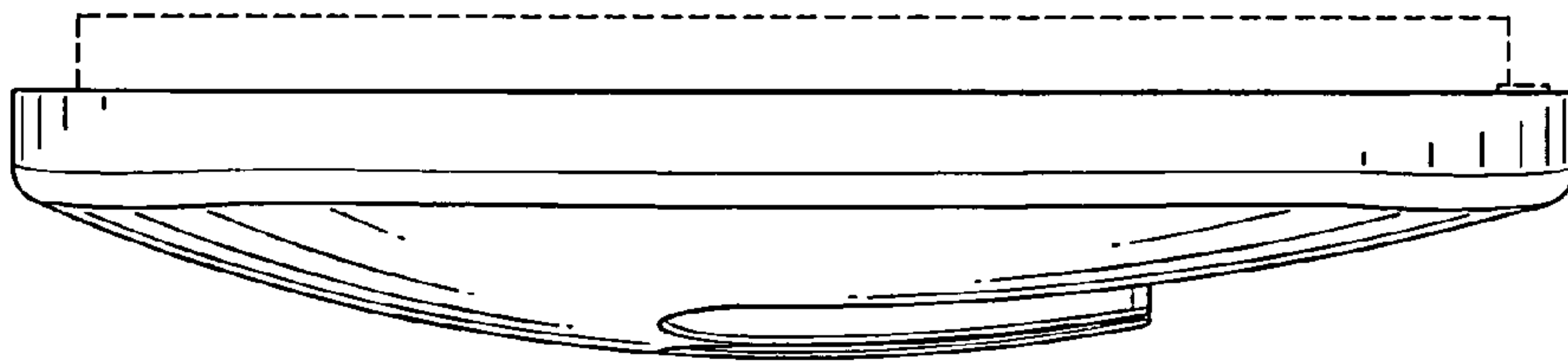


FIG. 6

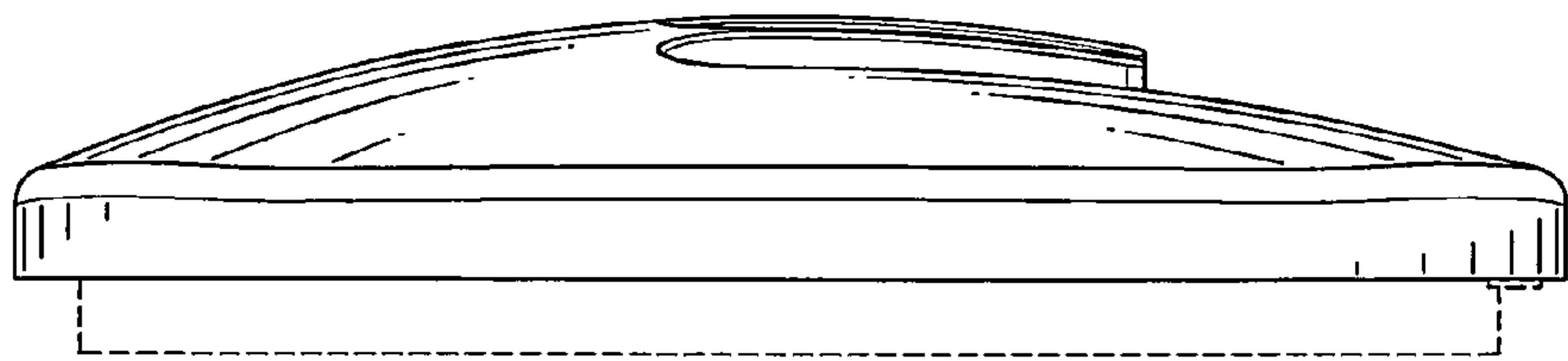


FIG. 7