



US00D689234S

(12) **United States Design Patent**
Zhang et al.

(10) **Patent No.:** **US D689,234 S**

(45) **Date of Patent:** **** Sep. 3, 2013**

(54) **LED LAMP**

(75) Inventors: **Sumin Zhang**, Guangdong (CN);
Yonggang Wei, Guangdong (CN);
Xiaofeng Wang, Guangdong (CN)

(73) Assignee: **CE Lighting Ltd.**, Shenzhen (CN)

(**) Term: **14 Years**

(21) Appl. No.: **29/406,637**

(22) Filed: **Nov. 17, 2011**

(30) **Foreign Application Priority Data**

May 17, 2011 (CN) 2011 3 0123241

(51) **LOC (9) Cl.** **26-05**

(52) **U.S. Cl.**
USPC **D26/72**

(58) **Field of Classification Search**
USPC D26/61, 63, 65, 67-72, 84, 89, 92;
362/249.01-249.06, 294, 373, 431
See application file for complete search history.

(56) **References Cited**

U.S. PATENT DOCUMENTS

D119,792 S * 4/1940 Pieper D26/63
D171,952 S * 4/1954 Pettengill D26/71
D304,088 S * 10/1989 Kelley et al. D26/24
D323,897 S * 2/1992 Compton D26/24

D500,569 S * 1/2005 Butler D26/71
D565,227 S * 3/2008 Haugaard et al. D26/71
D580,582 S * 11/2008 Fan D26/71
D615,233 S * 5/2010 Josefowicz et al. D26/71
D632,819 S * 2/2011 Kong et al. D26/71
D643,958 S * 8/2011 Lin et al. D26/71
8,066,407 B2 * 11/2011 Remus et al. 362/249.02
8,251,552 B2 * 8/2012 Rooms et al. 362/365
D667,587 S * 9/2012 Wilcox et al. D26/89
8,303,130 B2 * 11/2012 Sayers et al. 362/147
2007/0230184 A1 * 10/2007 Shuy 362/294

* cited by examiner

Primary Examiner — Clare E Heflin

(74) *Attorney, Agent, or Firm* — Dovas Law, P.C.

(57) **CLAIM**

The ornamental design for an LED lamp, as shown and described.

DESCRIPTION

FIG. 1 is a front elevational view of an LED lamp showing our new design;

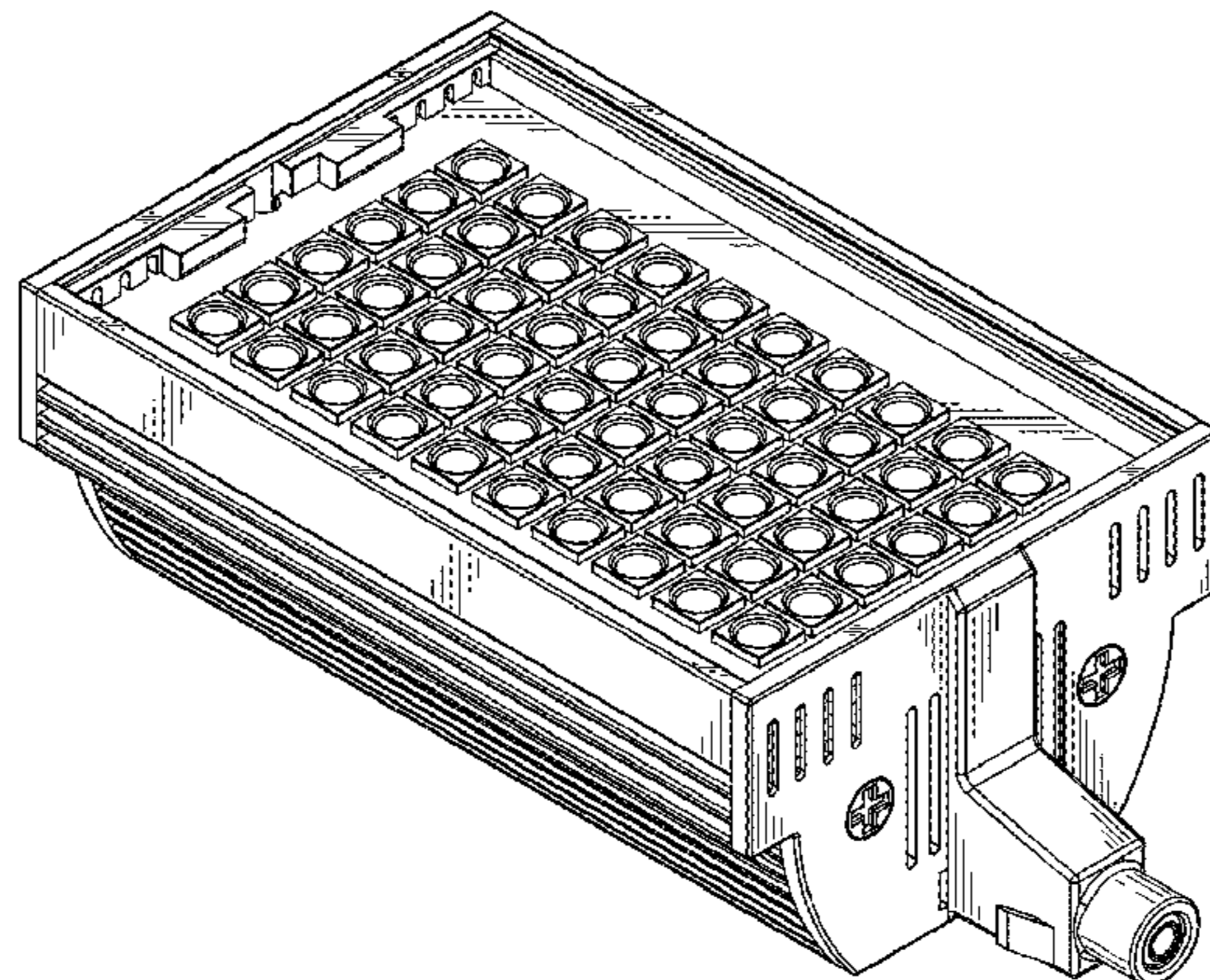
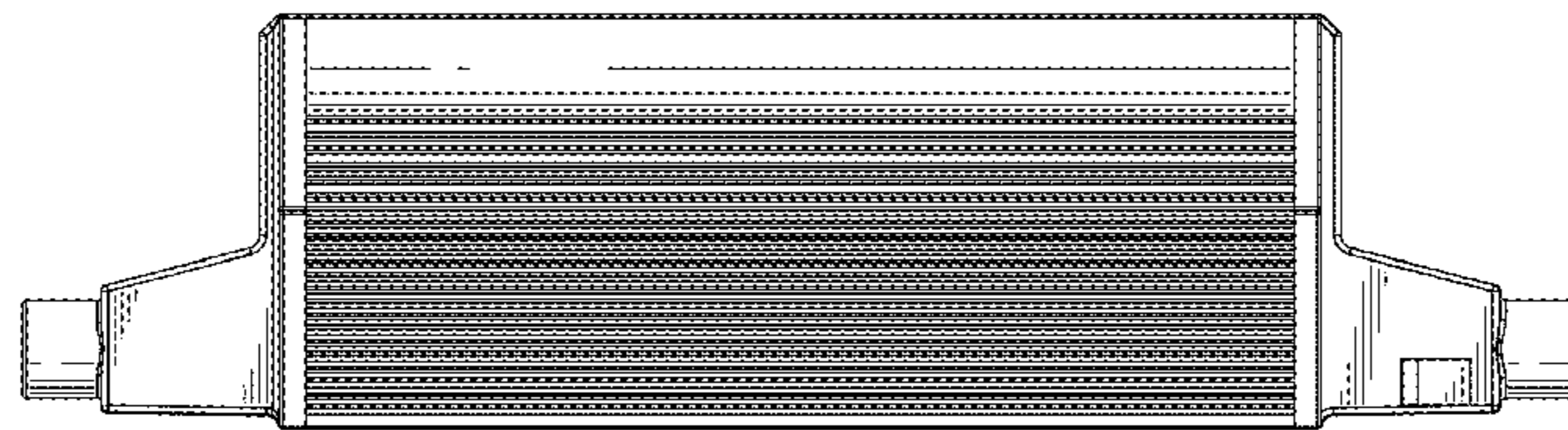
FIG. 2 is a rear elevational view of the LED lamp of FIG. 1; FIG. 3 is a left side elevational view of the LED lamp of FIG. 1;

FIG. 4 is a right side elevational view of the LED lamp of FIG. 1;

FIG. 5 is a top plan view of the LED lamp of FIG. 1;

FIG. 6 is a bottom plan view of the LED lamp of FIG. 1; and, FIG. 7 is an isometric view of the LED lamp of FIG. 1.

1 Claim, 7 Drawing Sheets



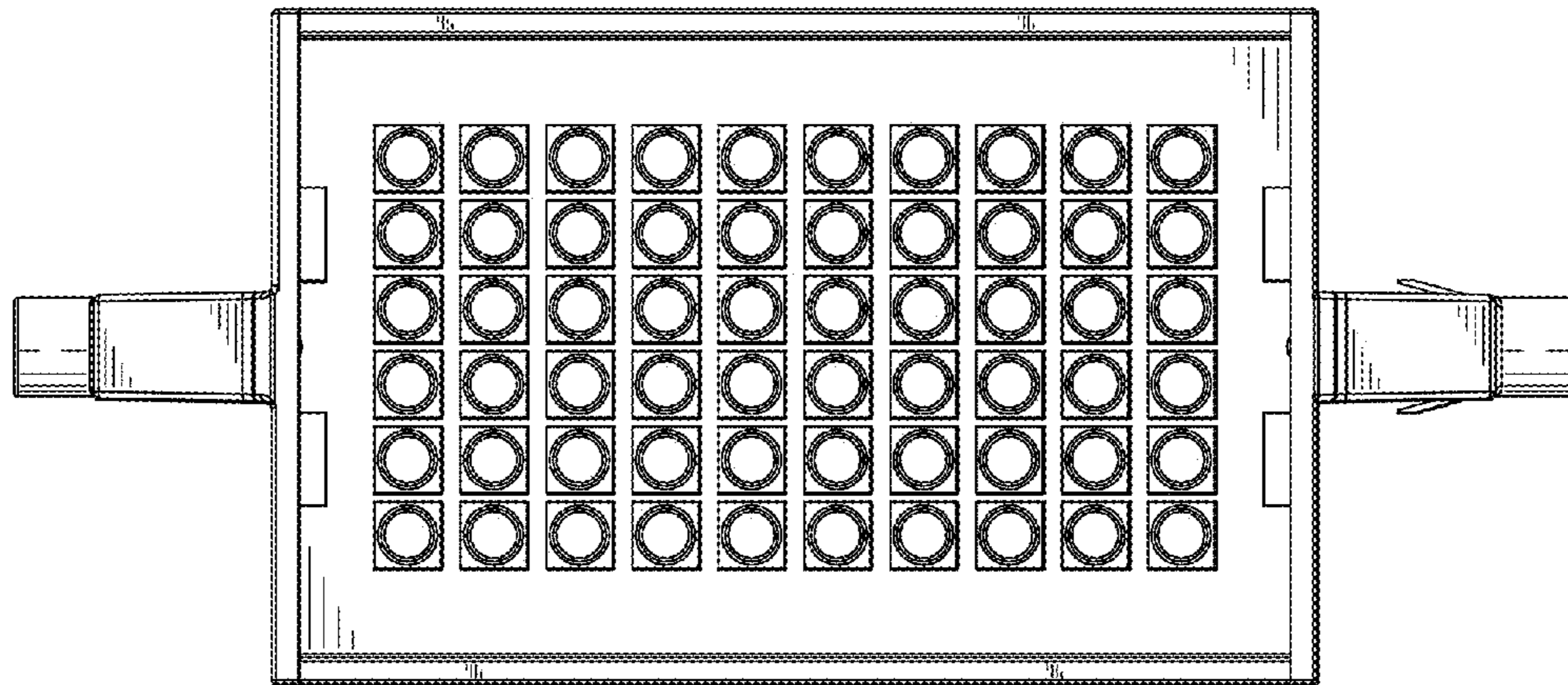


FIG. 1

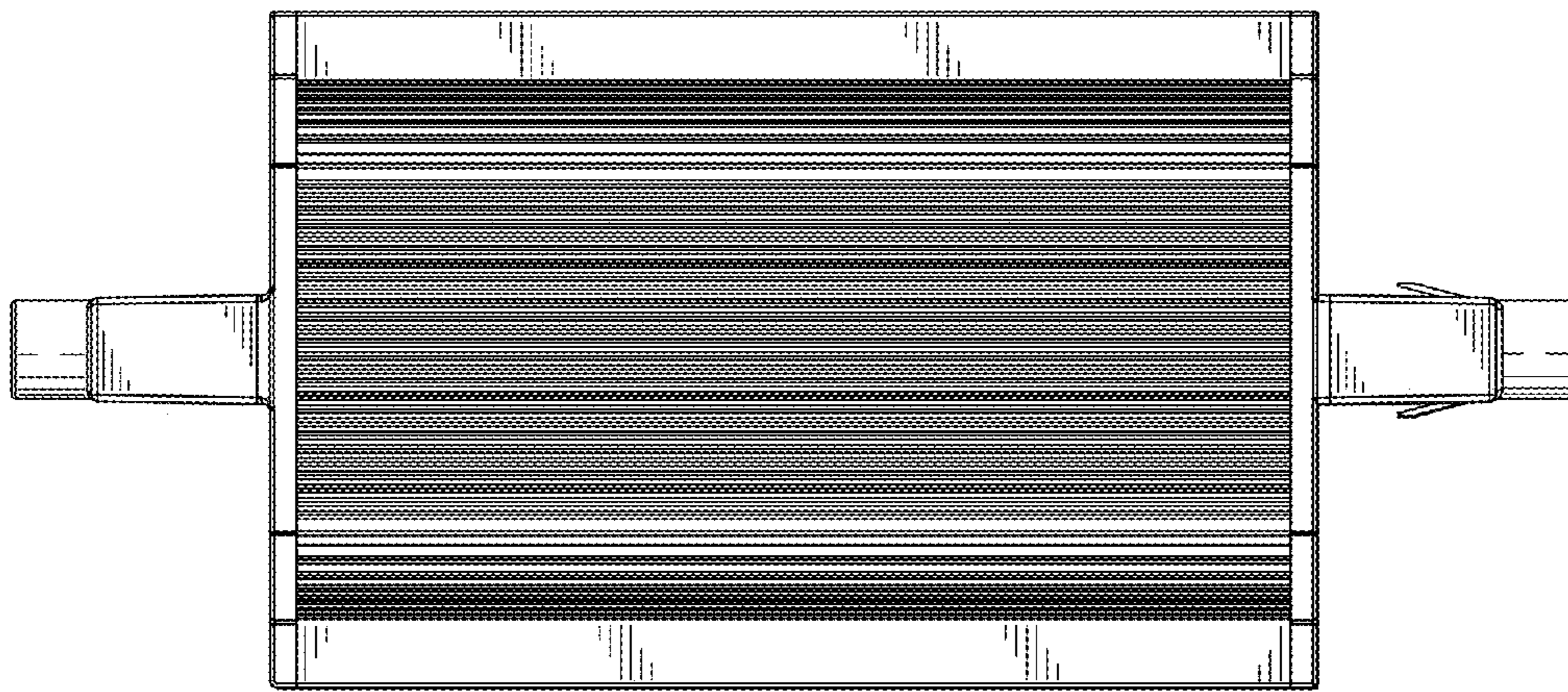


FIG.2

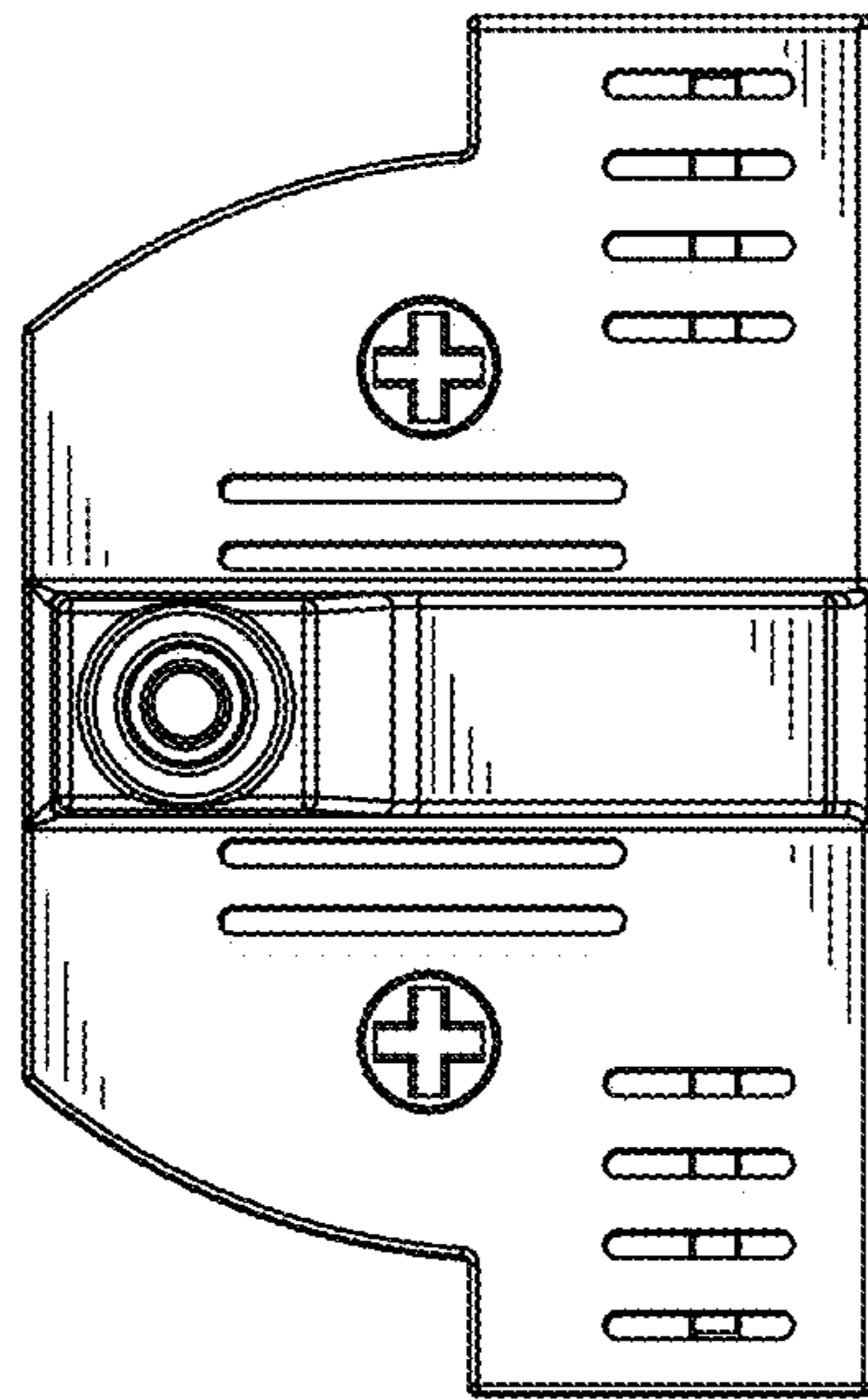


FIG. 3

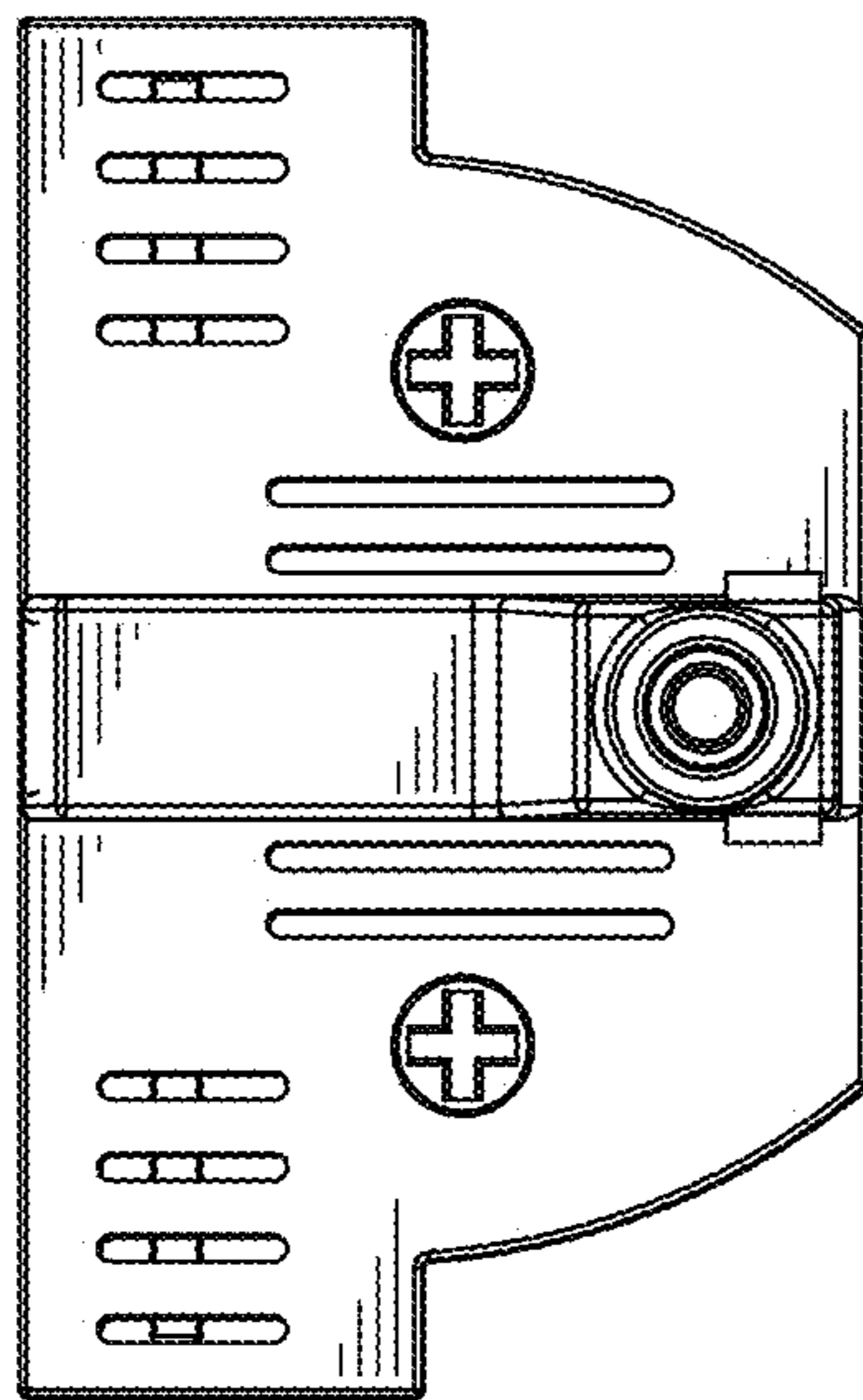


FIG. 4

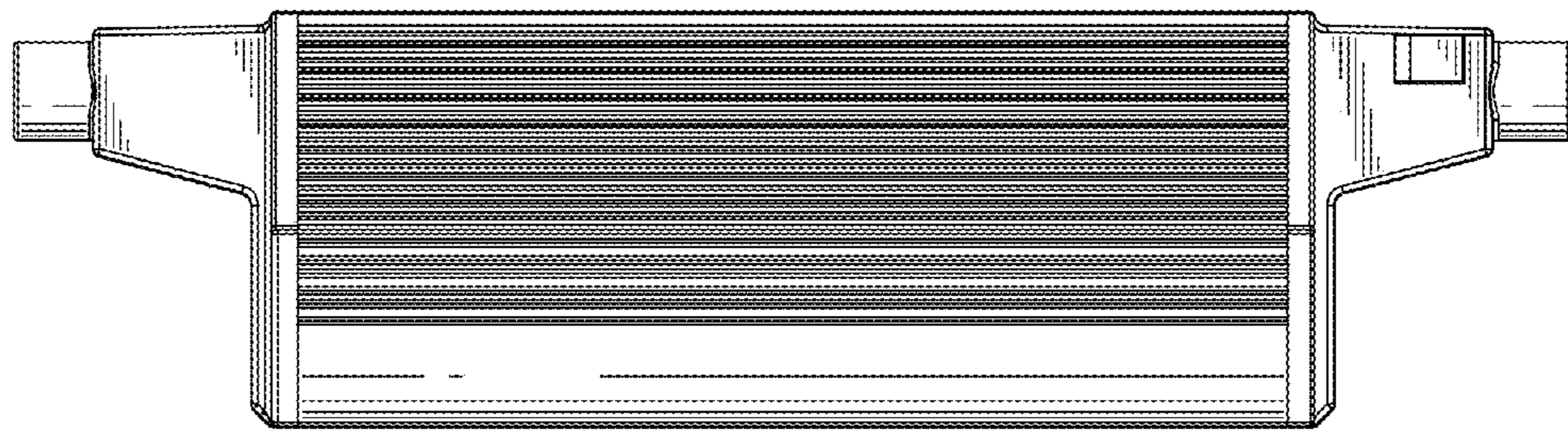


FIG. 5

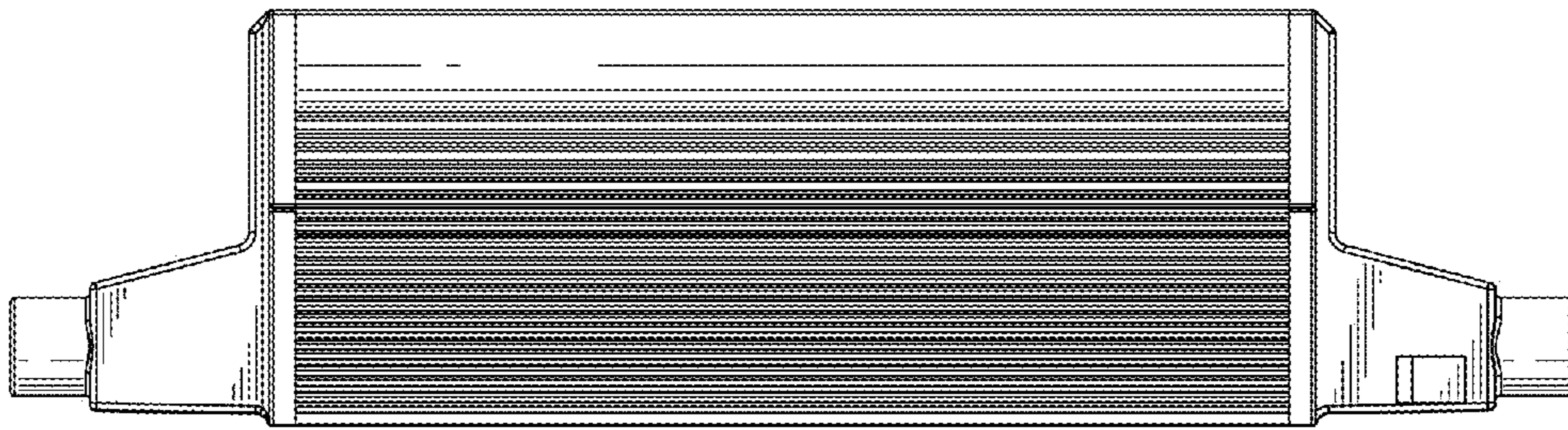


FIG. 6

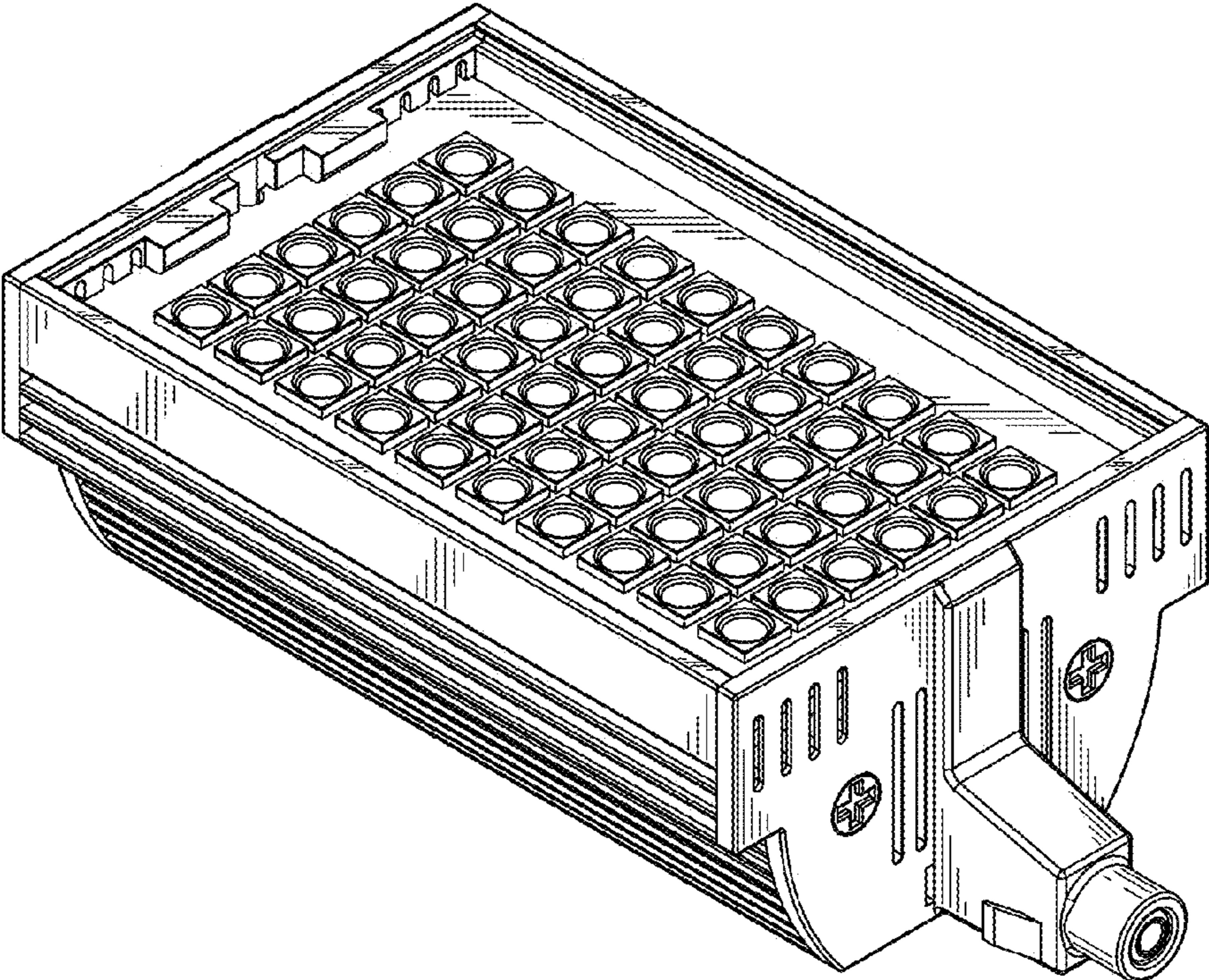


FIG. 7