



US00D689232S

(12) **United States Design Patent**
Velazquez

(10) **Patent No.:** **US D689,232 S**

(45) **Date of Patent:** **** Sep. 3, 2013**

(54) **LOW PROFILE LIGHTING APPARATUS
WITH A DETACHABLE DUAL MOUNTING
BRACKET**

(71) Applicant: **American DJ Supply, Inc.**, Los
Angeles, CA (US)

(72) Inventor: **Toby Velazquez**, Yorba Linda, CA (US)

(73) Assignee: **American DJ Supply, Inc.**, Los
Angeles, CA (US)

(**) Term: **14 Years**

(21) Appl. No.: **29/444,239**

(22) Filed: **Jan. 28, 2013**

Related U.S. Application Data

(62) Division of application No. 13/554,756, filed on Jul.
20, 2012.

(51) **LOC (9) Cl.** **26-05**

(52) **U.S. Cl.**
USPC **D26/63**

(58) **Field of Classification Search**
USPC D26/24, 60–66, 72, 85, 92, 113,
D26/118–119; 362/89, 217.01, 220, 217.02,
362/217.1, 217.14, 217.16, 257, 249, 268–269,
362/275, 277, 282, 285, 310, 362, 368, 370,
362/382, 404, 418, 425, 427, 432, 433, 457,
362/804

See application file for complete search history.

(56) **References Cited**

U.S. PATENT DOCUMENTS

D486,259 S *	2/2004	Crawford et al.	D26/63
D552,782 S *	10/2007	Korpi	D26/63
D573,286 S *	7/2008	Zettl	D26/63
D606,691 S *	12/2009	Lindholm	D26/63
D667,582 S *	9/2012	Toft	D26/63

* cited by examiner

Primary Examiner — Brian N Vinson

(74) *Attorney, Agent, or Firm* — Kenneth L. Sherman, Esq.;
Michael Zarrabian, Esq.; Sherman & Zarrabian LLP

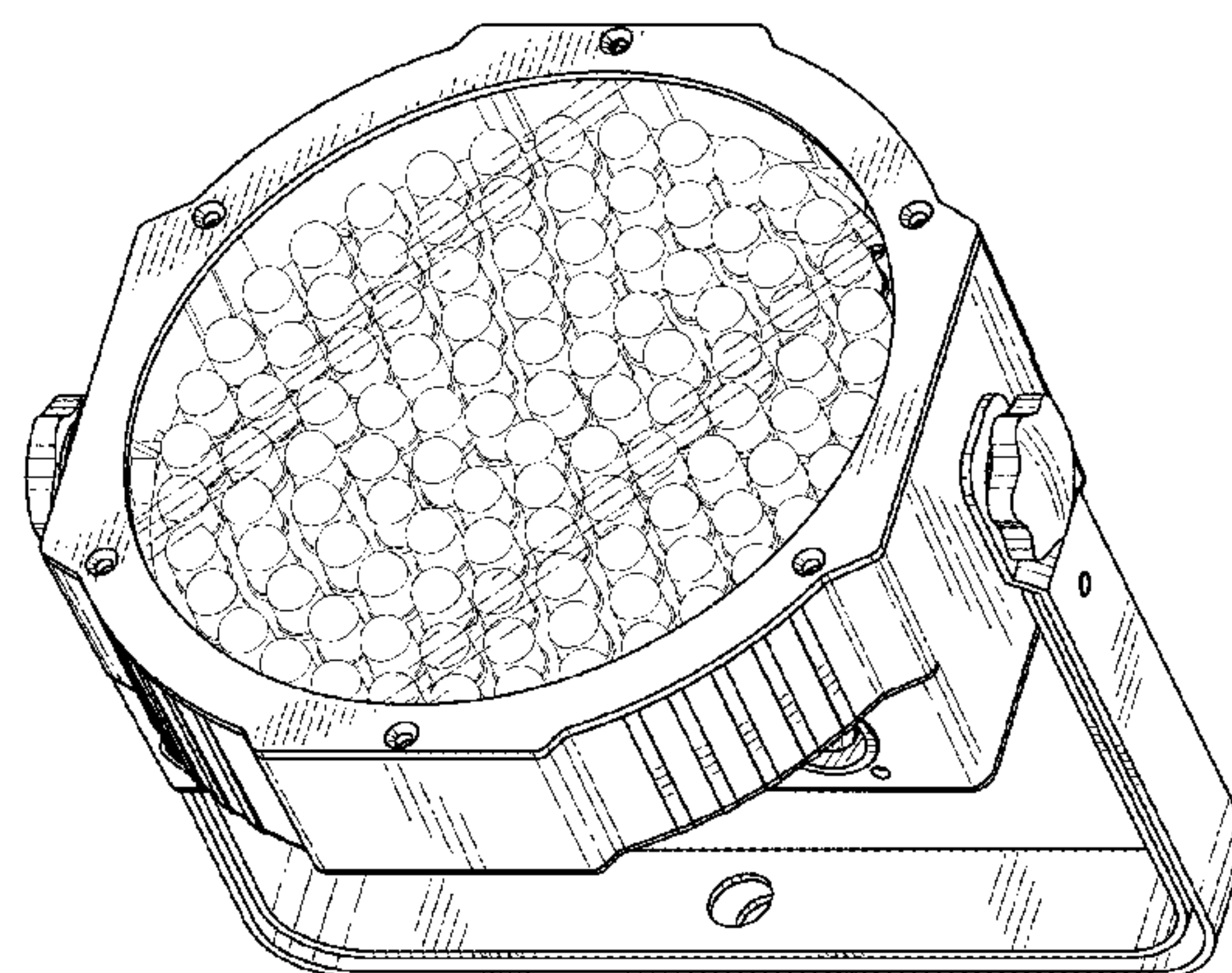
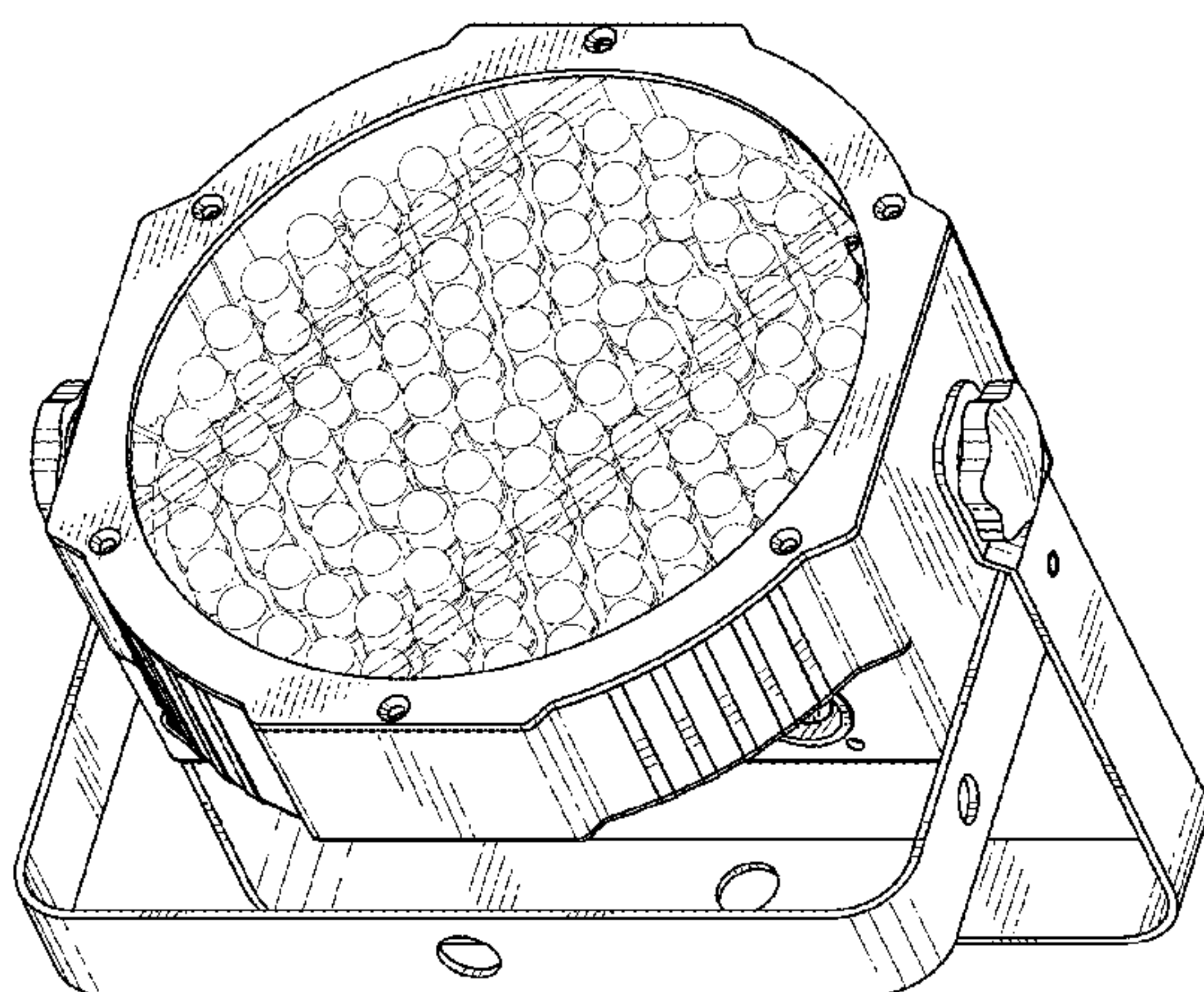
(57) **CLAIM**

The ornamental design for a low profile lighting apparatus
with a detachable dual mounting bracket, as shown and
described.

DESCRIPTION

FIG. 1 illustrates a front perspective view of the claimed
design for a low profile lighting apparatus with a detachable
dual mounting bracket, wherein a first bracket of the mount-
ing bracket is pivoted about a substantially ninety degree
angle relative to a second bracket of the mounting bracket;
FIG. 2 illustrates a front elevational view thereof;
FIG. 3 illustrates a rear elevational view thereof;
FIG. 4 illustrates a left-side elevational view thereof;
FIG. 5 illustrates a right-side elevational view thereof;
FIG. 6 illustrates a bottom plan view thereof;
FIG. 7 illustrates a top plan view thereof;
FIG. 8 illustrates a front perspective view of the claimed
lighting apparatus, wherein the first and second brackets of
the mounting bracket are aligned;
FIG. 9 illustrates a front perspective view thereof, wherein the
mounting bracket is removed for clarity of illustration;
FIG. 10 illustrates a rear elevational view thereof; and,
FIG. 11 illustrates a top plan view thereof.

1 Claim, 10 Drawing Sheets



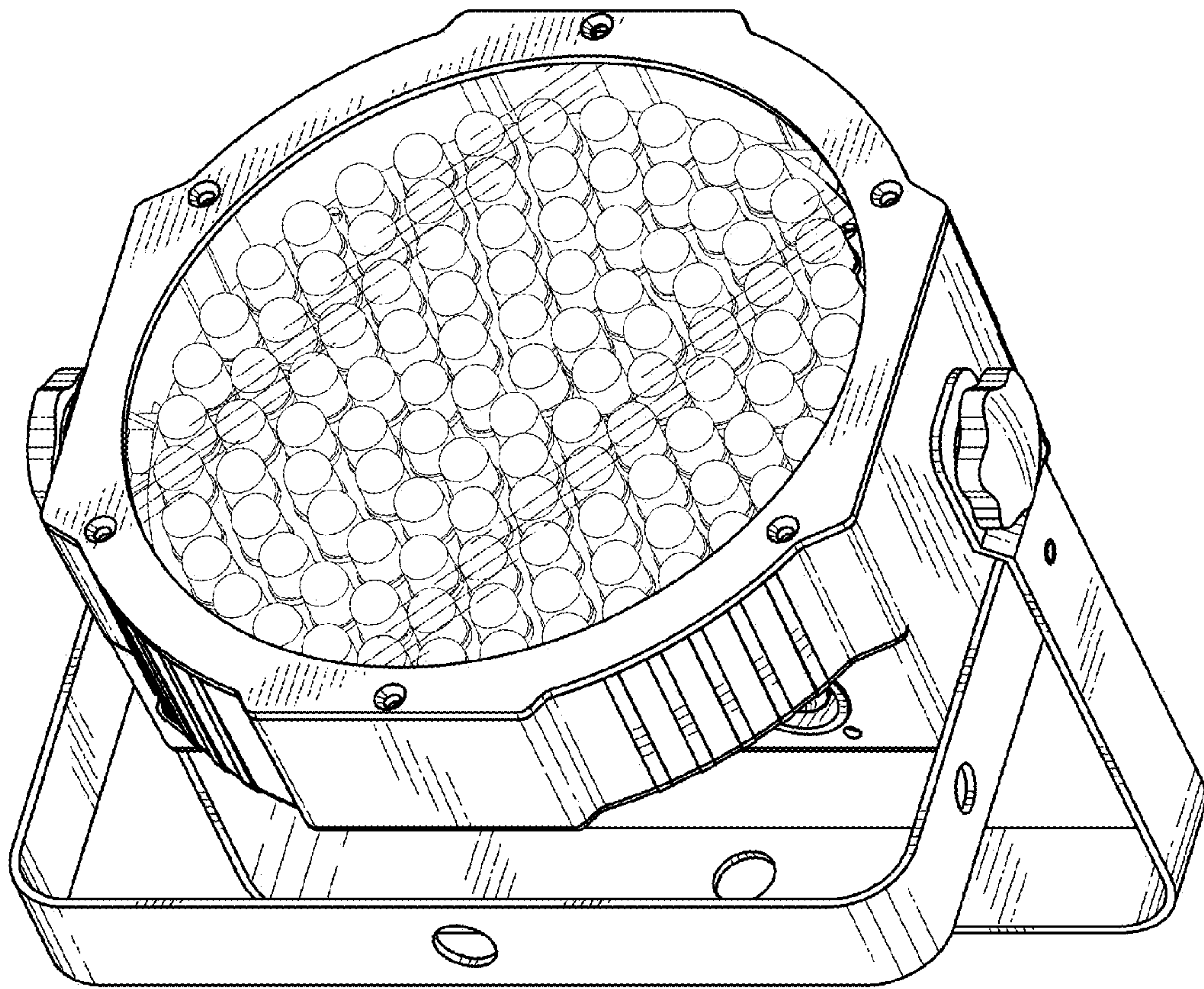


FIG. 1

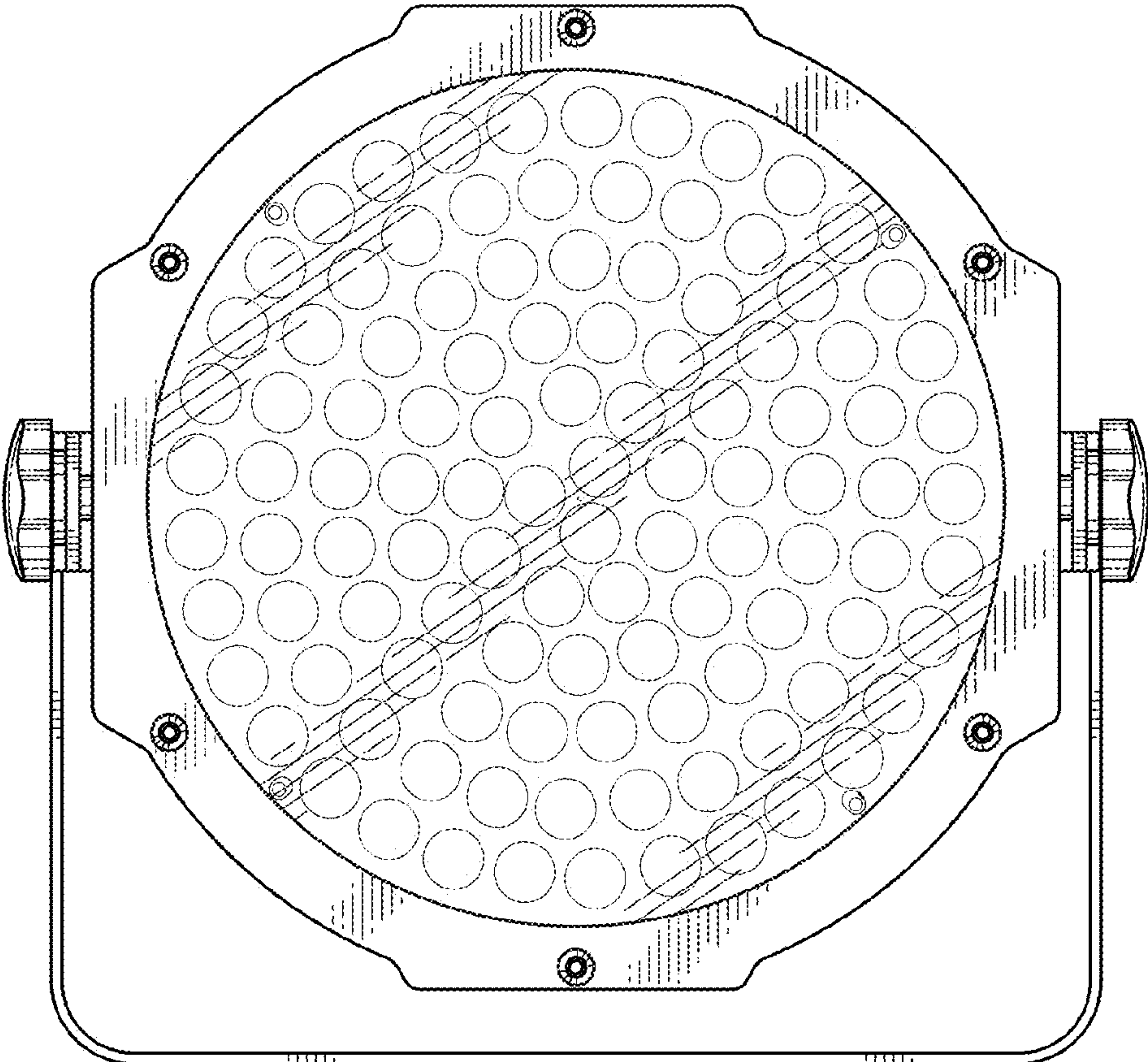


FIG. 2

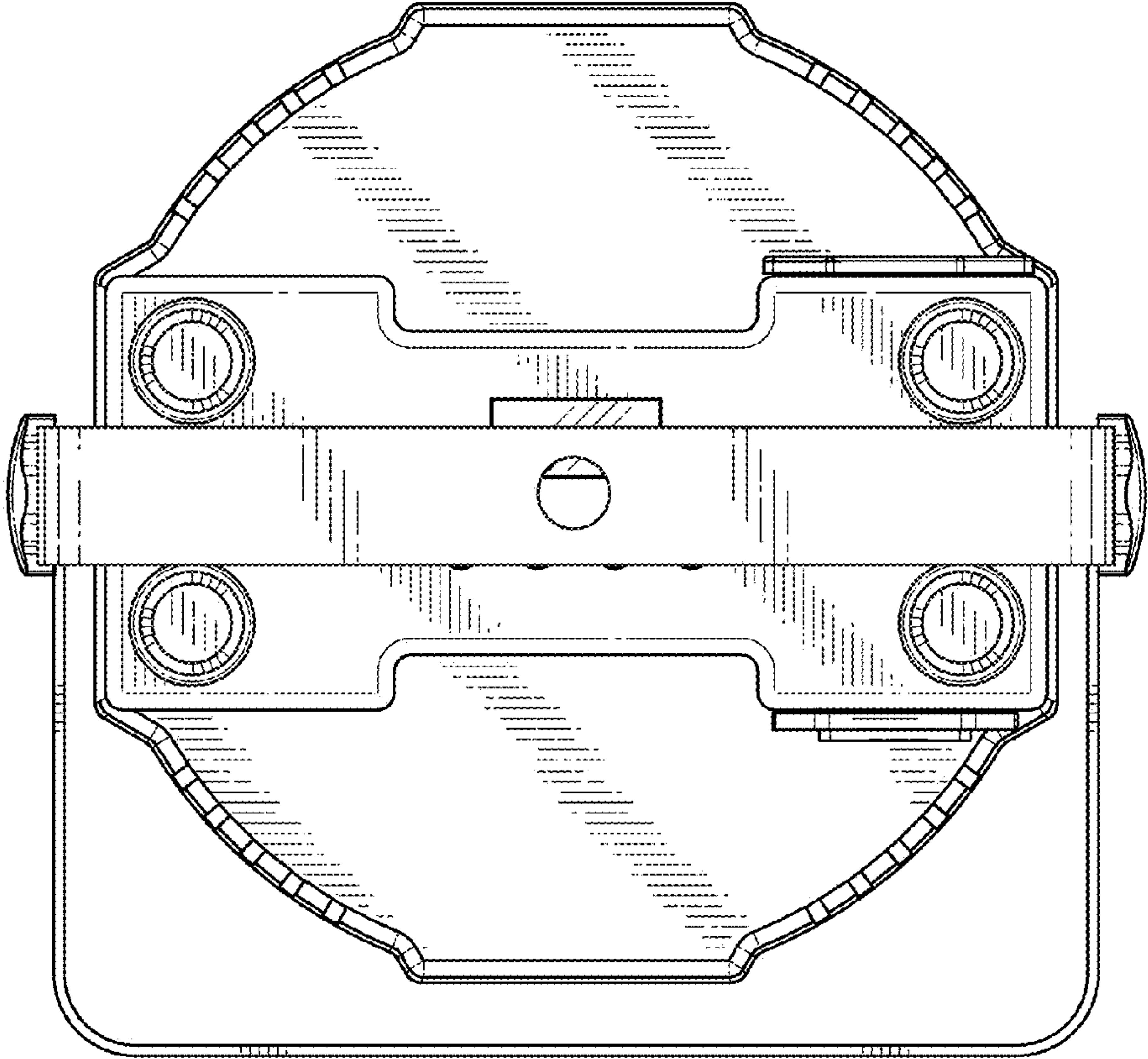


FIG. 3

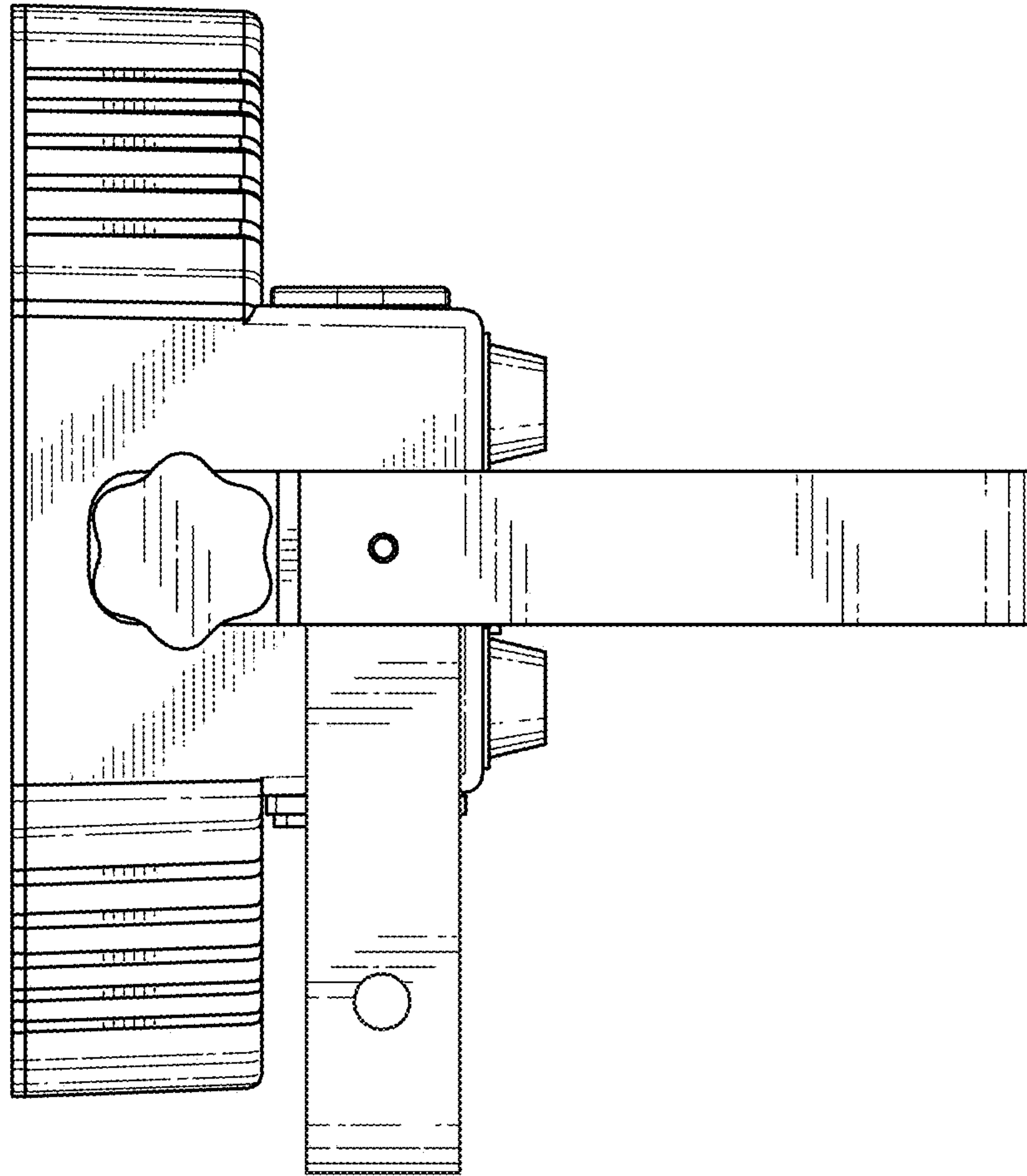


FIG. 4

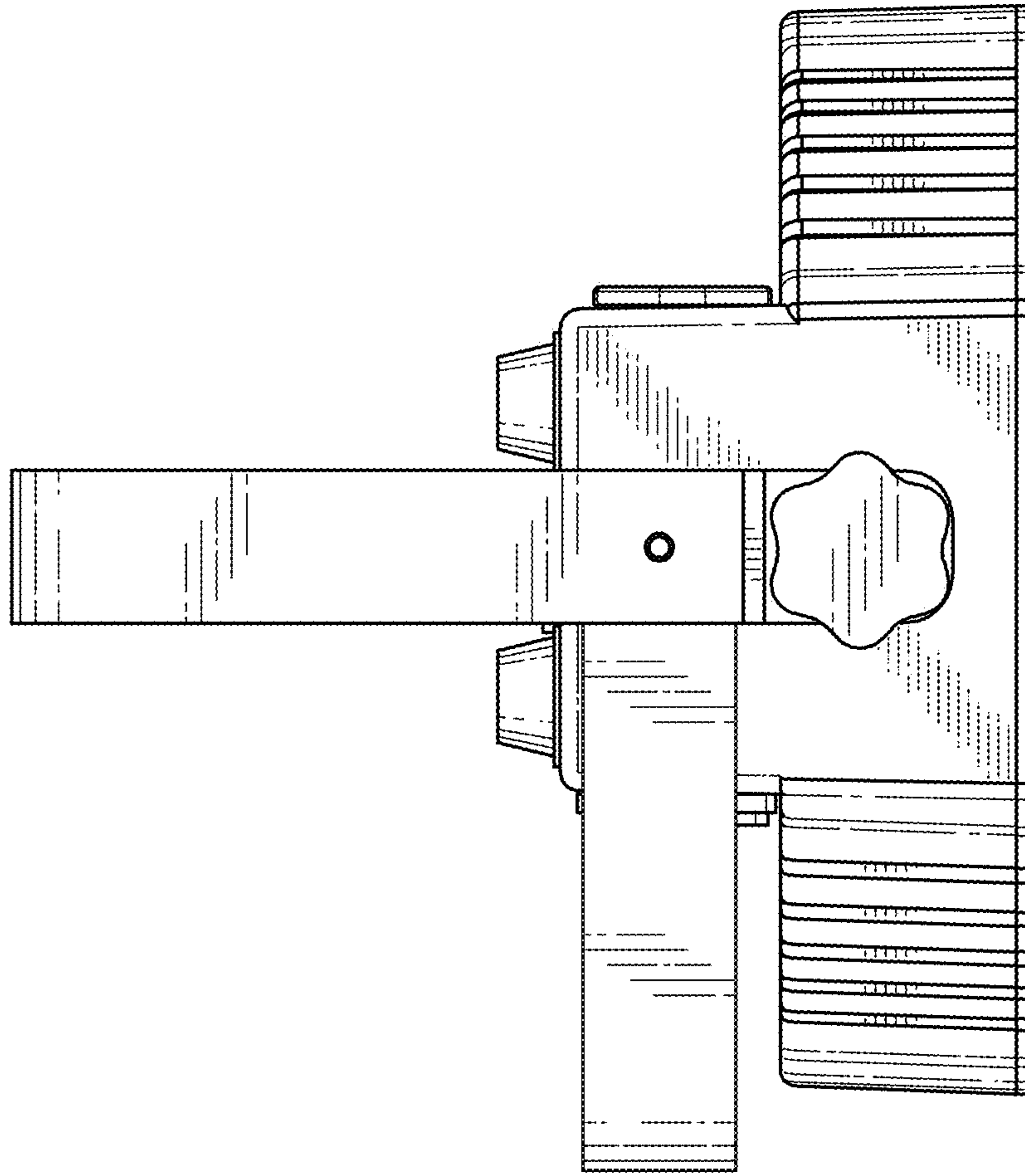


FIG. 5

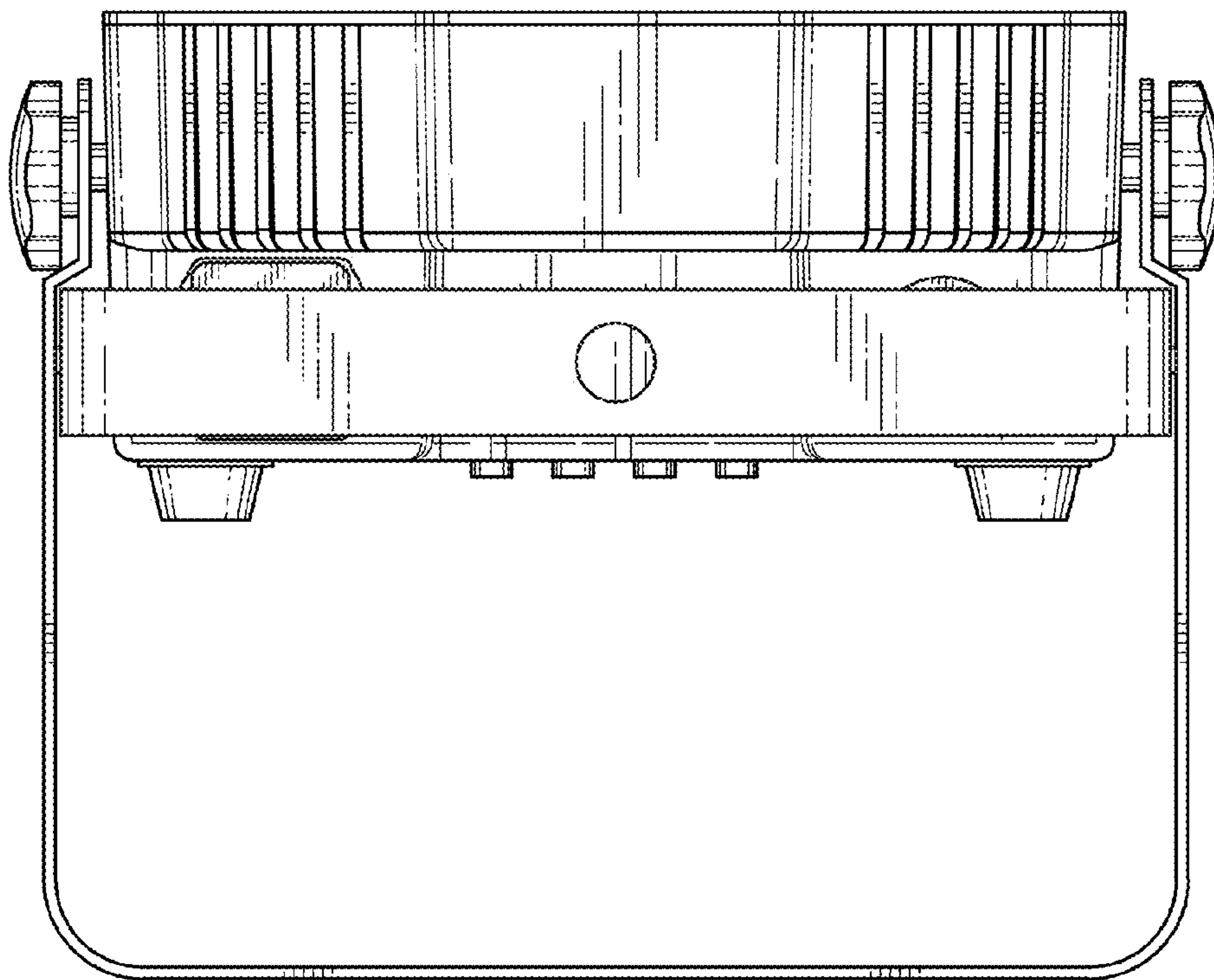


FIG. 6

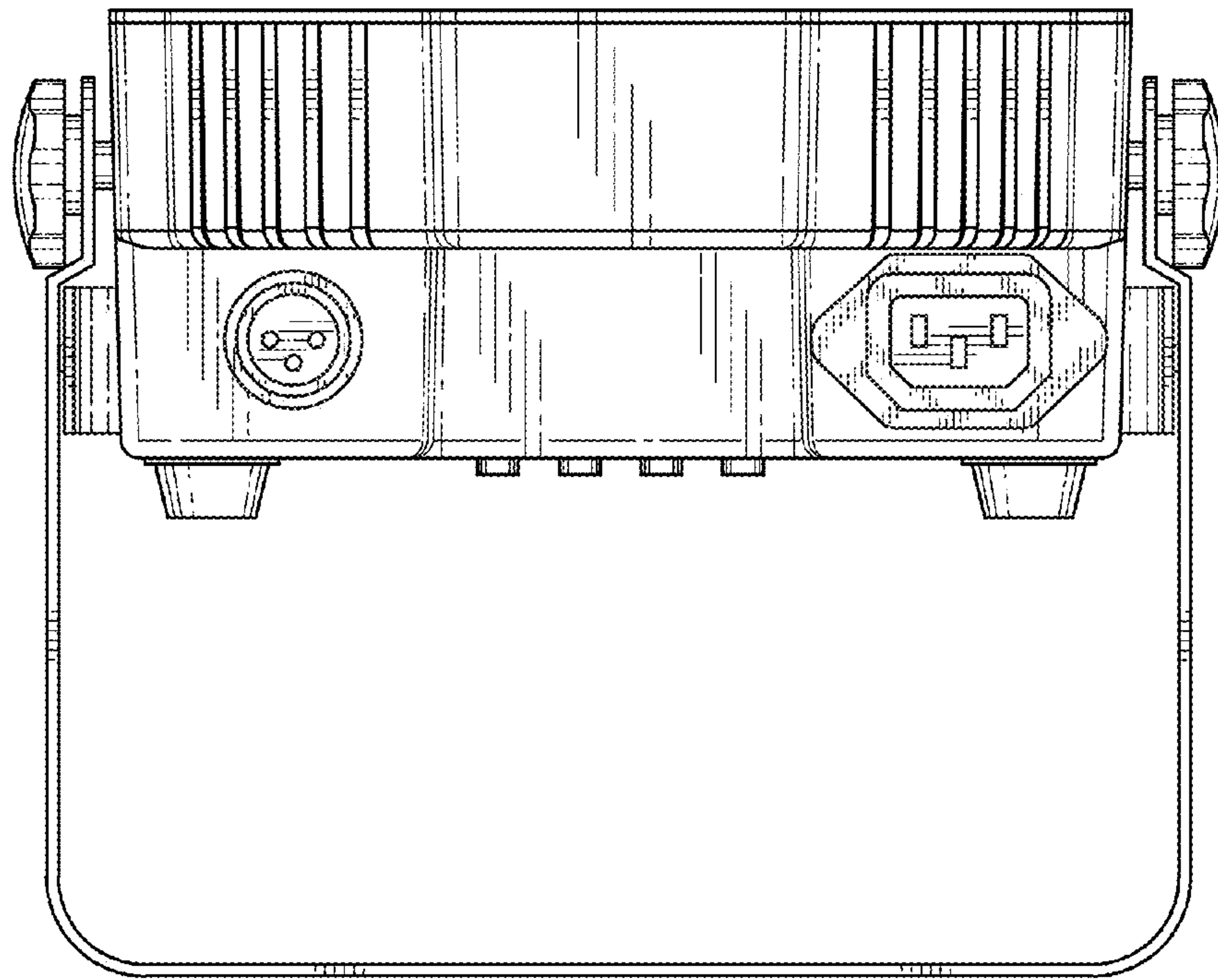


FIG. 7

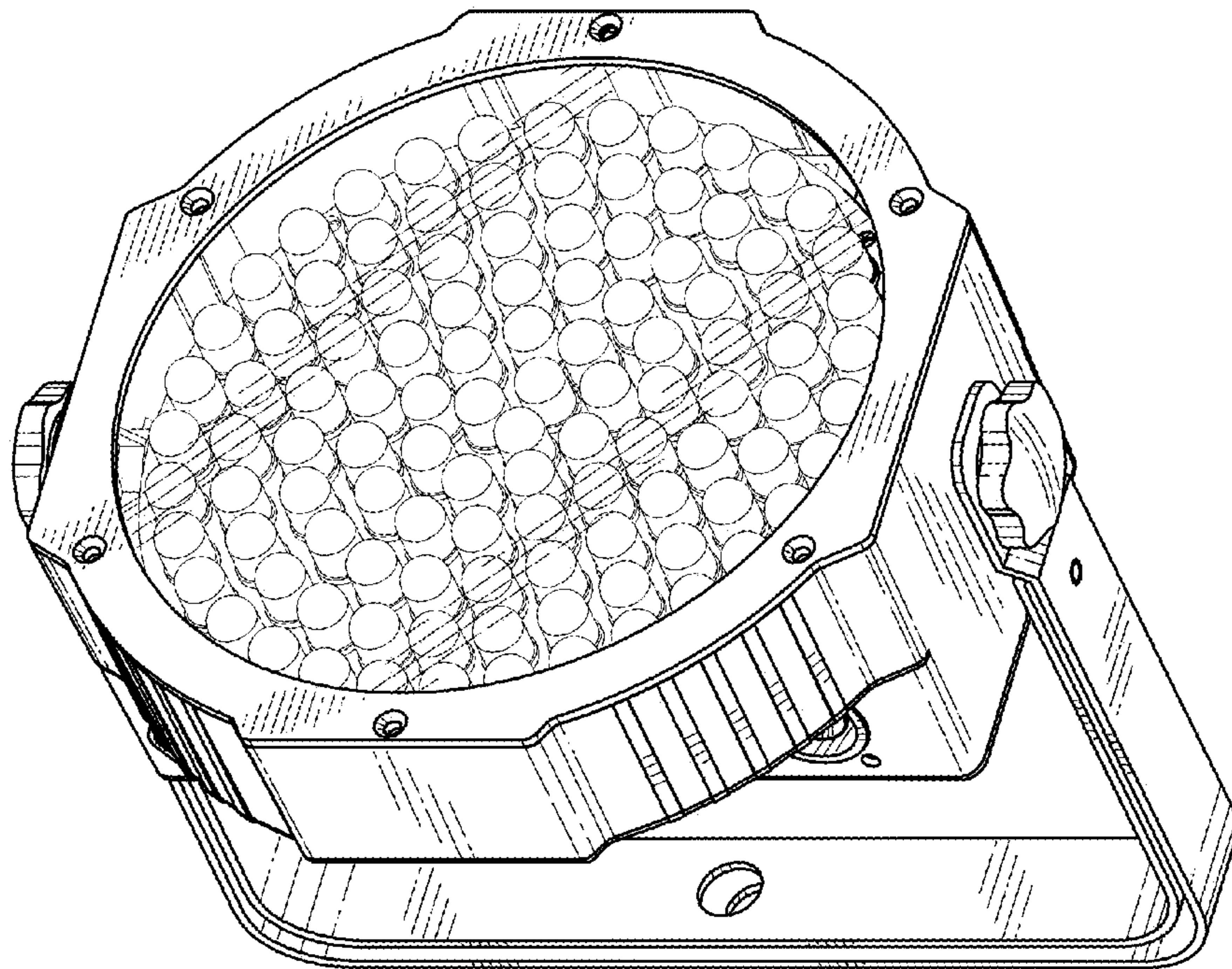


FIG. 8

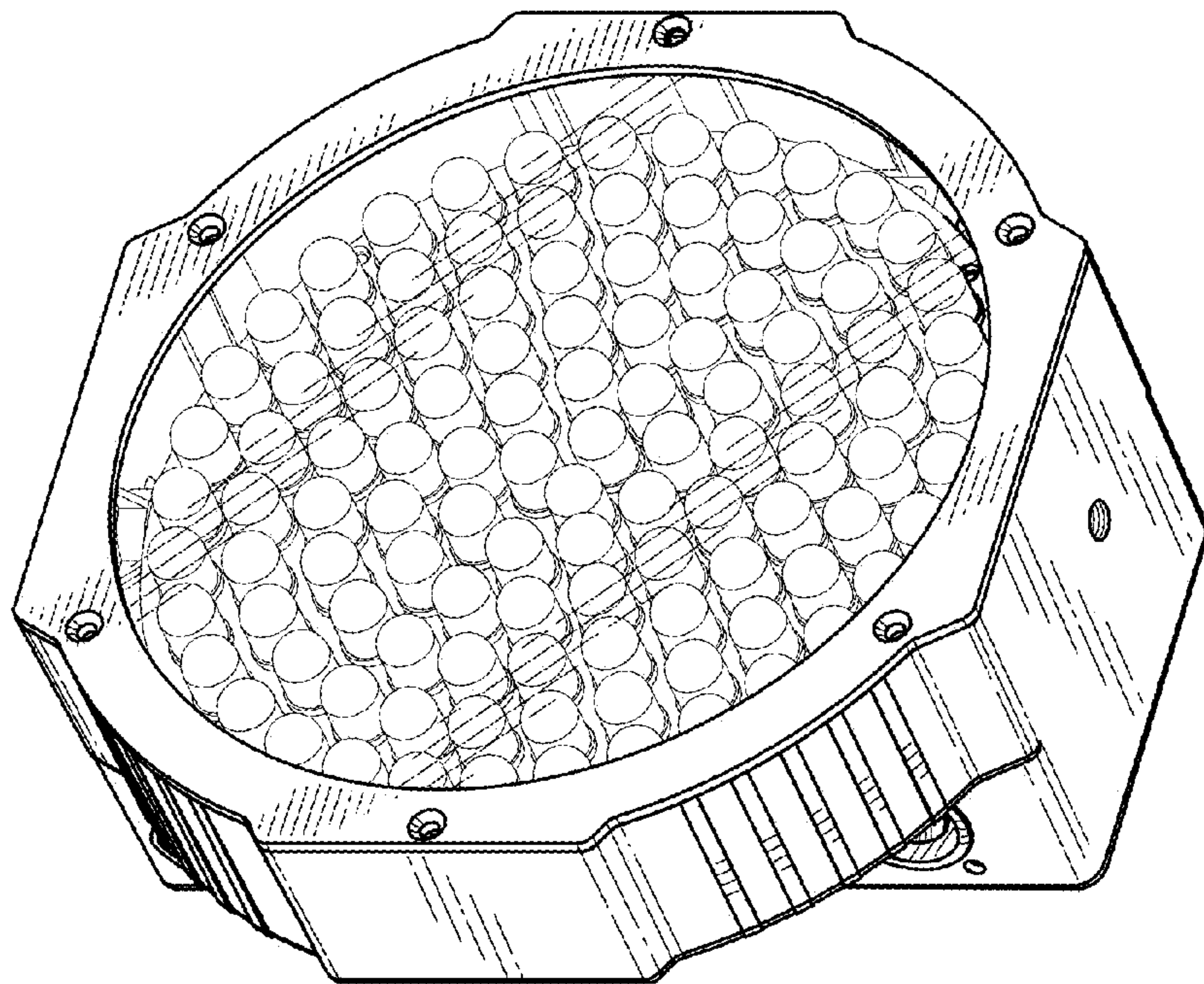


FIG. 9

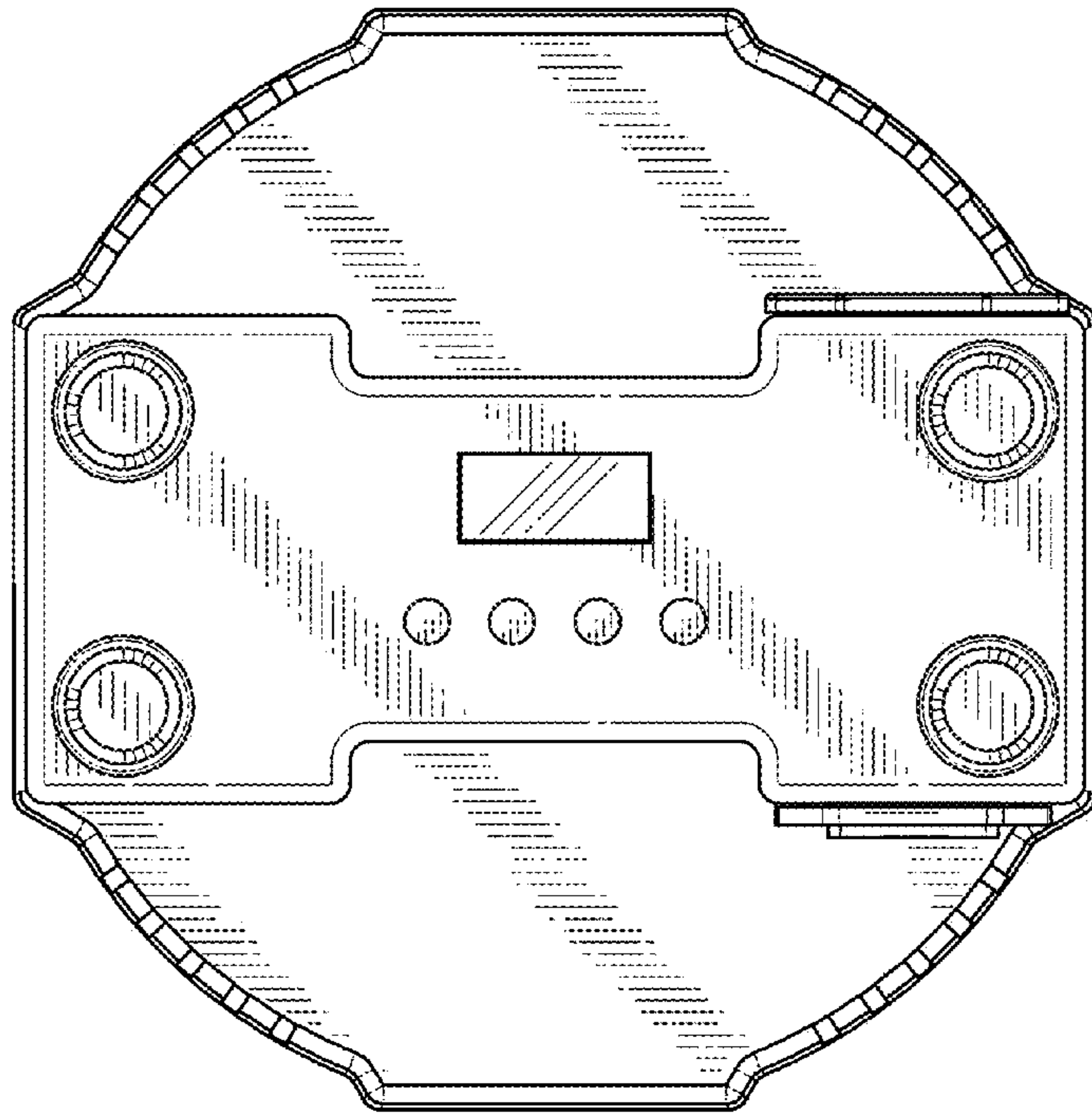


FIG. 10

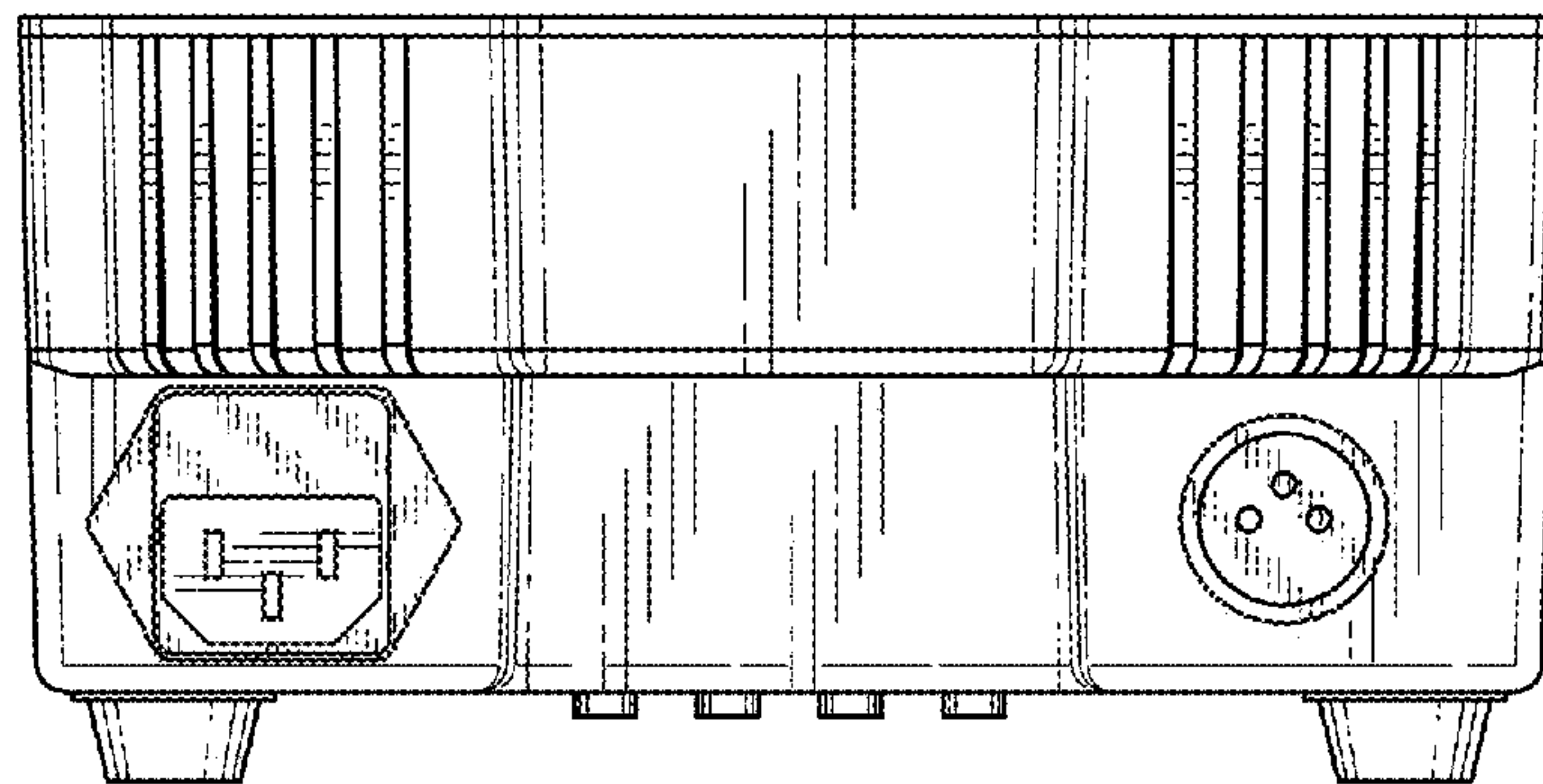


FIG. 11