



US00D689229S

(12) **United States Design Patent**
Yeh

(10) **Patent No.:** **US D689,229 S**

(45) **Date of Patent:** **** Sep. 3, 2013**

(54) **FLASHLIGHT**

(75) **Inventor:** **Hsueh-Chu Yeh**, Tainan (TW)

(73) **Assignee:** **Day Sun Industrial Corp.**, Tainan (TW)

(**) **Term:** **14 Years**

(21) **Appl. No.:** **29/426,498**

(22) **Filed:** **Jul. 6, 2012**

(51) **LOC (9) Cl.** **26-02**

(52) **U.S. Cl.**
USPC **D26/49**

(58) **Field of Classification Search**
USPC D26/37, 38, 46, 49; 362/157, 158,
362/184, 196, 202-208
See application file for complete search history.

(56) **References Cited**

U.S. PATENT DOCUMENTS

D331,118 S *	11/1992	Yeung	D26/49
D336,965 S *	6/1993	Yau	D26/49
D428,505 S *	7/2000	Man	D26/49
D445,934 S *	7/2001	Dalton et al.	D26/49
D449,703 S *	10/2001	Dalton et al.	D26/49
D452,025 S *	12/2001	Poon	D26/49
D481,816 S *	11/2003	Sharrah et al.	D26/49

D484,627 S *	12/2003	Mah	D26/49
D504,971 S *	5/2005	Dalton et al.	D26/49
D603,989 S *	11/2009	Gardner et al.	D26/49
D656,650 S *	3/2012	Yeh	D26/46

* cited by examiner

Primary Examiner — Ian Simmons

Assistant Examiner — Carissa C Fitts

(74) *Attorney, Agent, or Firm* — Alan Kamrath; Kamrath IP Lawfirm, P.A.

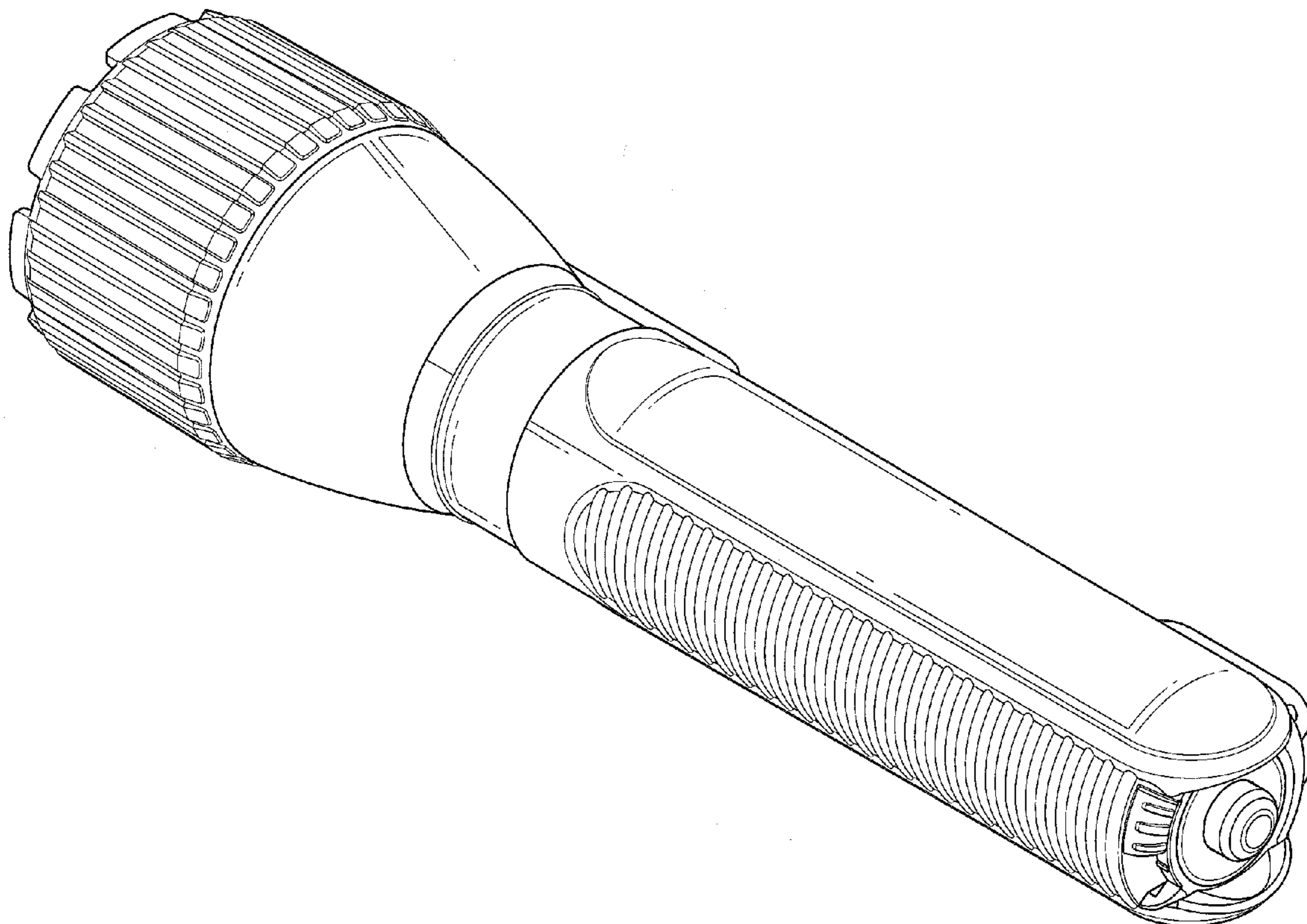
(57) **CLAIM**

The ornamental design for a flashlight, as shown and described.

DESCRIPTION

FIG. 1 is a perspective view of a flashlight showing my new design;
FIG. 2 is a front side elevational view thereof;
FIG. 3 is a rear side elevational view thereof;
FIG. 4 is a left side elevational view thereof;
FIG. 5 is a right side elevational view thereof;
FIG. 6 is a top plan view thereof; and,
FIG. 7 is a bottom plan view thereof.
The broken line showing is for environmental purposes only and forms no part of the claimed design.

1 Claim, 6 Drawing Sheets



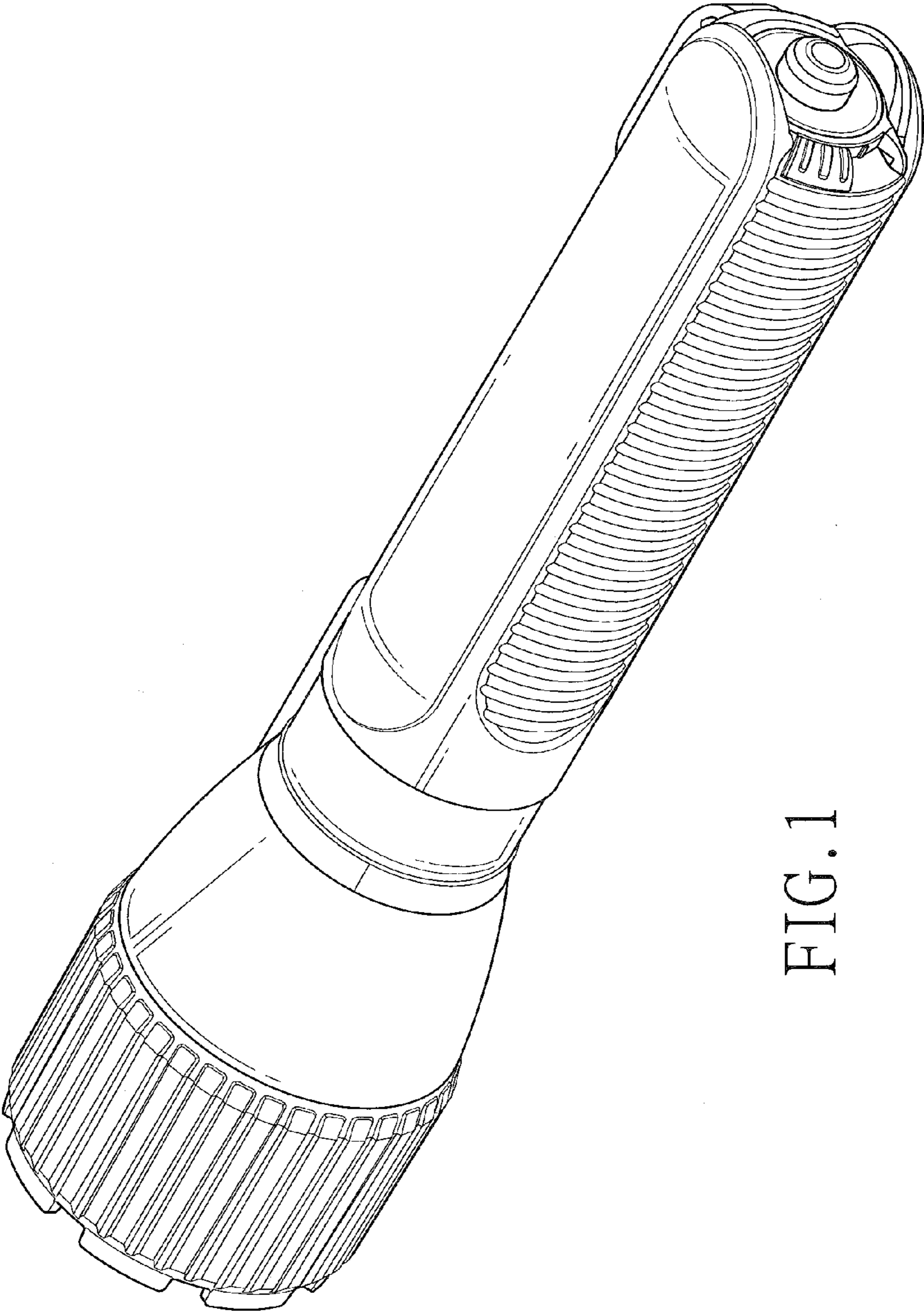


FIG. 1

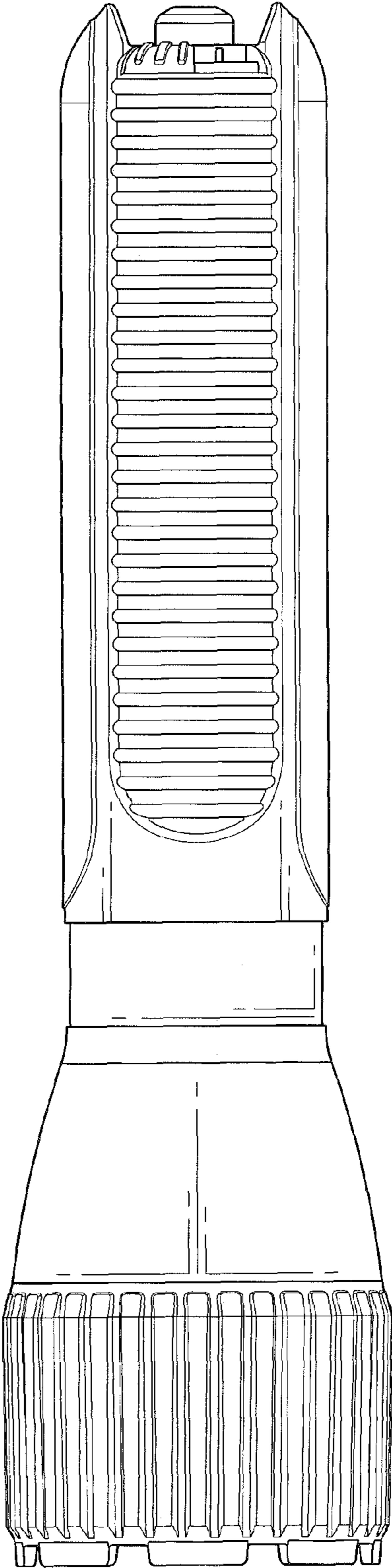


FIG. 2

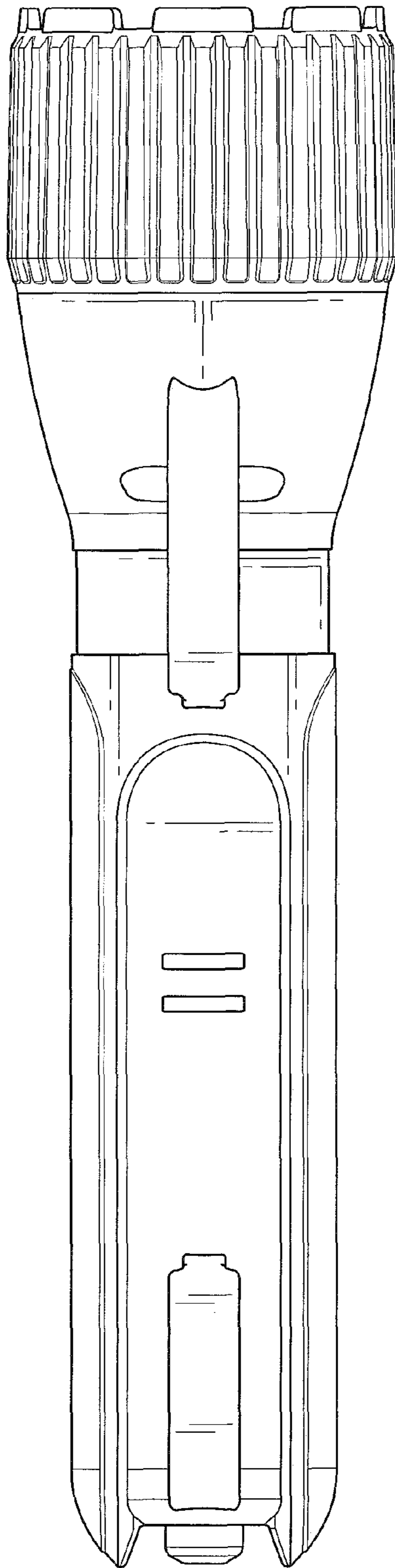


FIG. 3

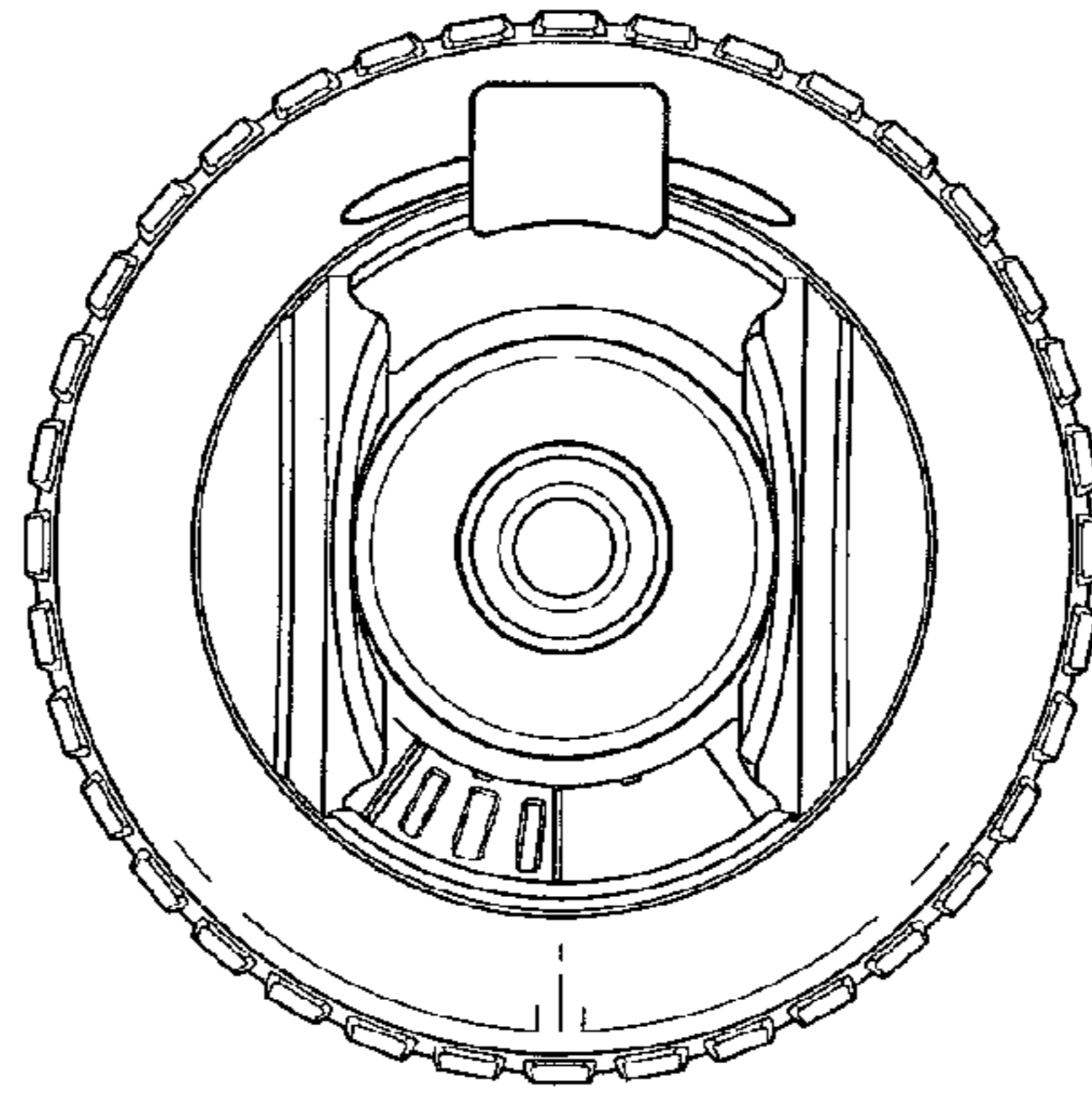


FIG. 5

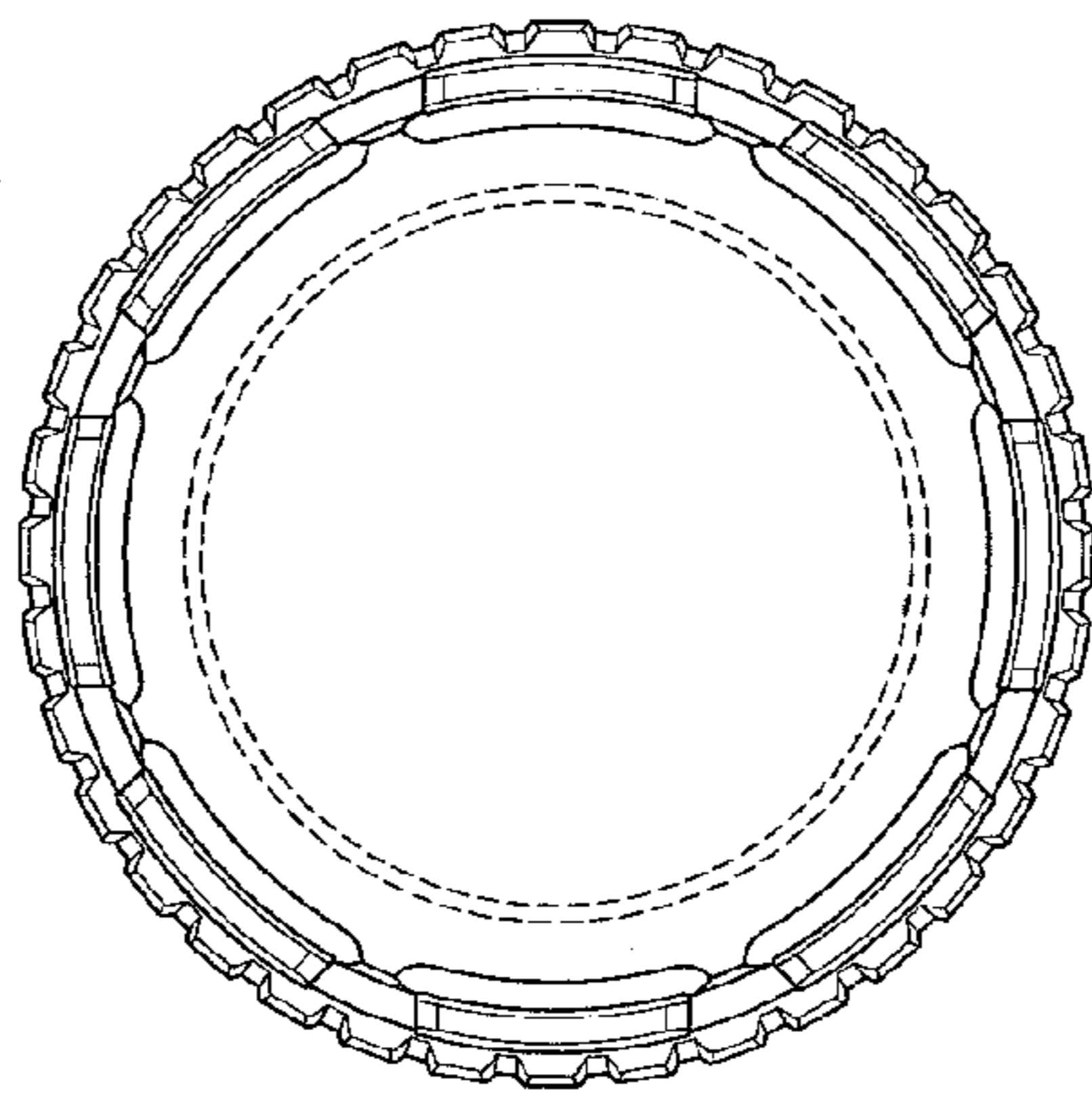


FIG. 4

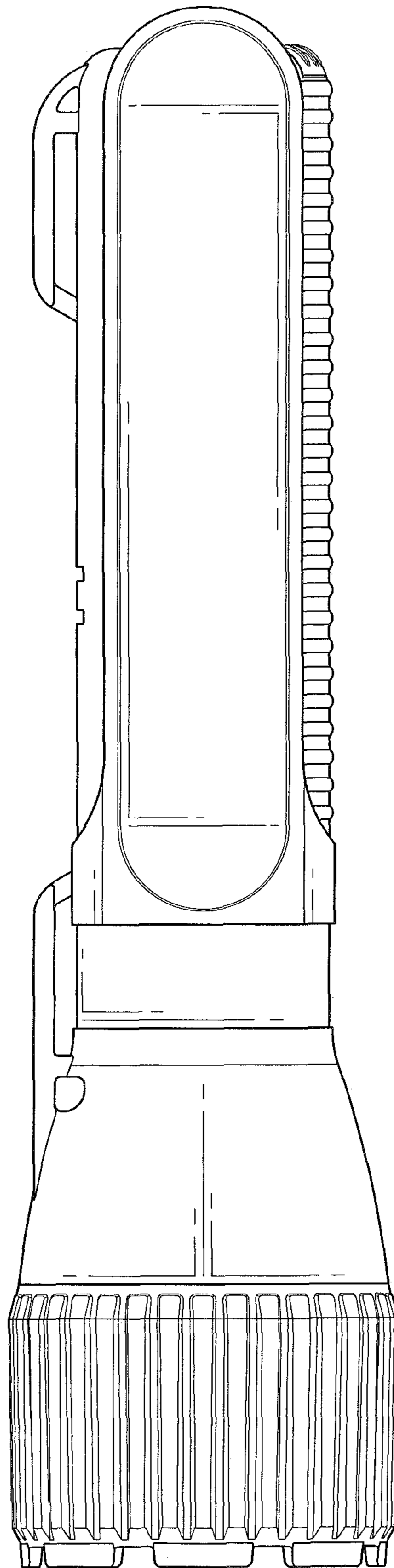


FIG. 6

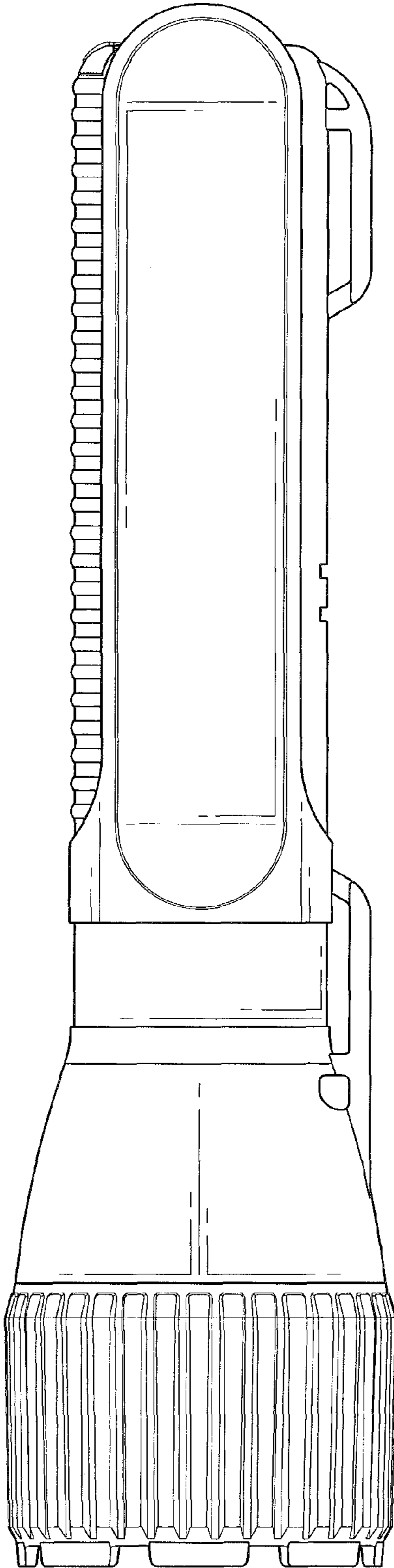


FIG. 7